



US00D733620S

(12) **United States Design Patent**  
**Fetherston et al.**

(10) **Patent No.:** **US D733,620 S**  
(45) **Date of Patent:** **\*\* Jul. 7, 2015**

(54) **REAR PORTION OF A VEHICLE, TOY,  
AND/OR REPLICAS THEREOF**

(56) **References Cited**

U.S. PATENT DOCUMENTS

(71) Applicant: **Daimler AG**, Stuttgart (DE)  
(72) Inventors: **Mark Fetherston**, Stuttgart (DE); **Klaus Frenzel**, Konstanz-Wallhausen (DE); **Hans-Dieter Futschik**, Gechingen (DE); **Gorden Wagener**, Gaeufelden (DE)

D650,313	S	*	12/2011	Fetherston et al.	.....	D12/164
D671,045	S	*	11/2012	Fetherston et al.	.....	D12/164
D680,031	S		4/2013	Fetherston et al.		
D680,036	S		4/2013	Fetherston et al.		
D688,162	S		8/2013	Fetherston et al.		
D688,174	S		8/2013	Fetherston et al.		
D697,455	S	*	1/2014	Kubota et al.	.....	D12/164
D697,457	S	*	1/2014	Kubota et al.	.....	D12/164
D703,115	S	*	4/2014	Fetherston et al.	.....	D12/164

(73) Assignee: **Daimler AG**, Stuttgart (DE)

\* cited by examiner

(\*\*) Term: **14 Years**

*Primary Examiner* — Melody Brown

(21) Appl. No.: **29/487,183**

(74) *Attorney, Agent, or Firm* — Crowell & Moring LLP

(22) Filed: **Apr. 7, 2014**

(57) **CLAIM**

The ornamental design for a rear portion of a vehicle, toy, and/or replicas thereof, as shown and described.

(30) **Foreign Application Priority Data**

**DESCRIPTION**

Oct. 8, 2013 (WO) ..... DM/081 943

This application contains subject matter related to the following co-pending U.S. design patent application:

(51) **LOC (10) Cl.** ..... **12-16**

Application Ser. No. 29/487,182, filed herewith and entitled "Vehicle, Toy, and/or Replicas Thereof".

(52) **U.S. Cl.**

FIG. 1 is a left perspective view of a rear portion of a vehicle, toy, and/or replicas thereof according to the design;

USPC ..... **D12/164**

FIG. 2 is a left side view thereof;

(58) **Field of Classification Search**

FIG. 3 is a right side view thereof;

USPC ..... D12/196, 90-92, 86; 296/181.1, 181.5

FIG. 4 is a front view thereof; and,

CPC .... B62D 35/001; B62D 31/003; B62D 24/02;

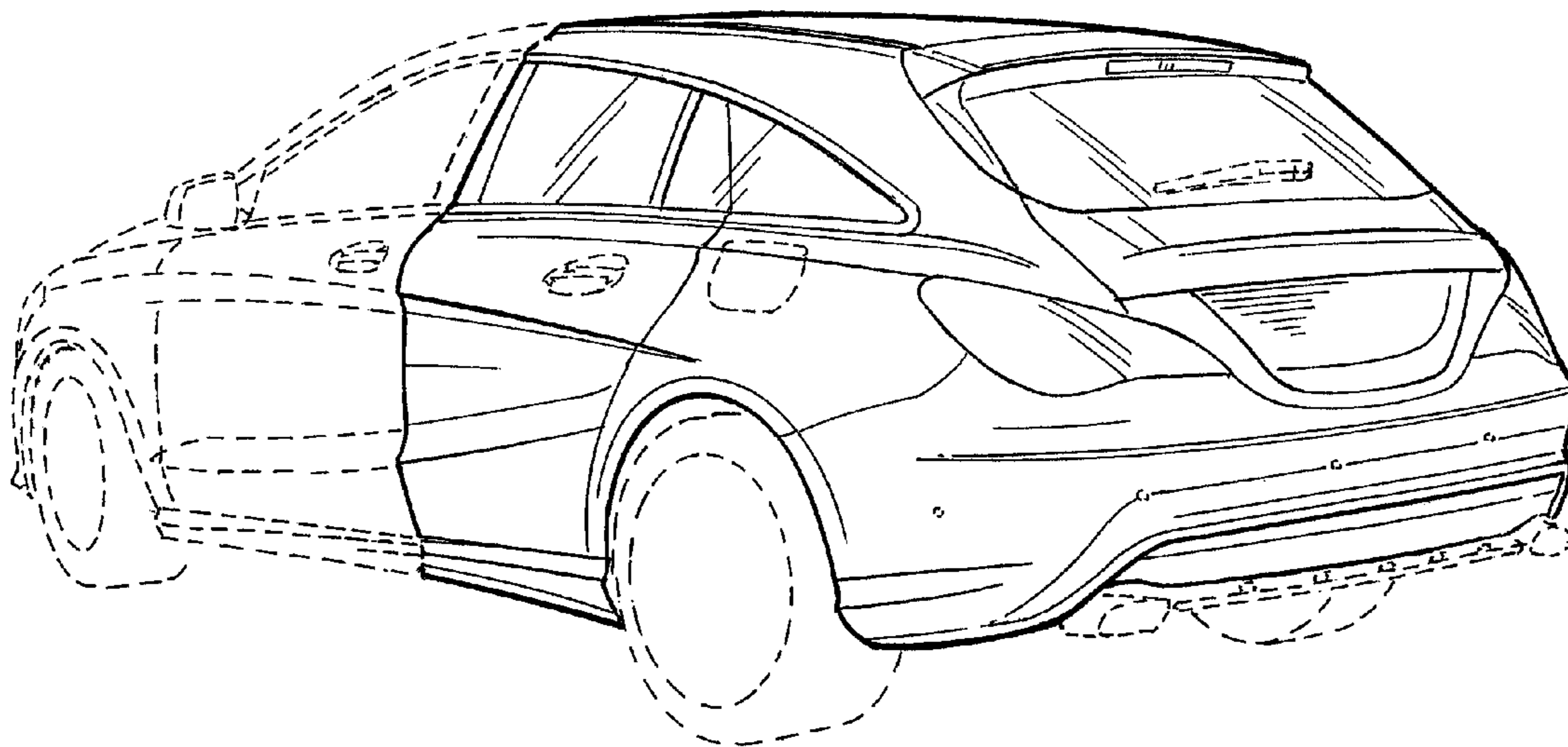
FIG. 5 is a top view thereof.

B62D 25/08; B62D 33/00; B62D 25/06

The broken lines are for illustrative purposes only and form no part of the claimed design.

See application file for complete search history.

**1 Claim, 5 Drawing Sheets**



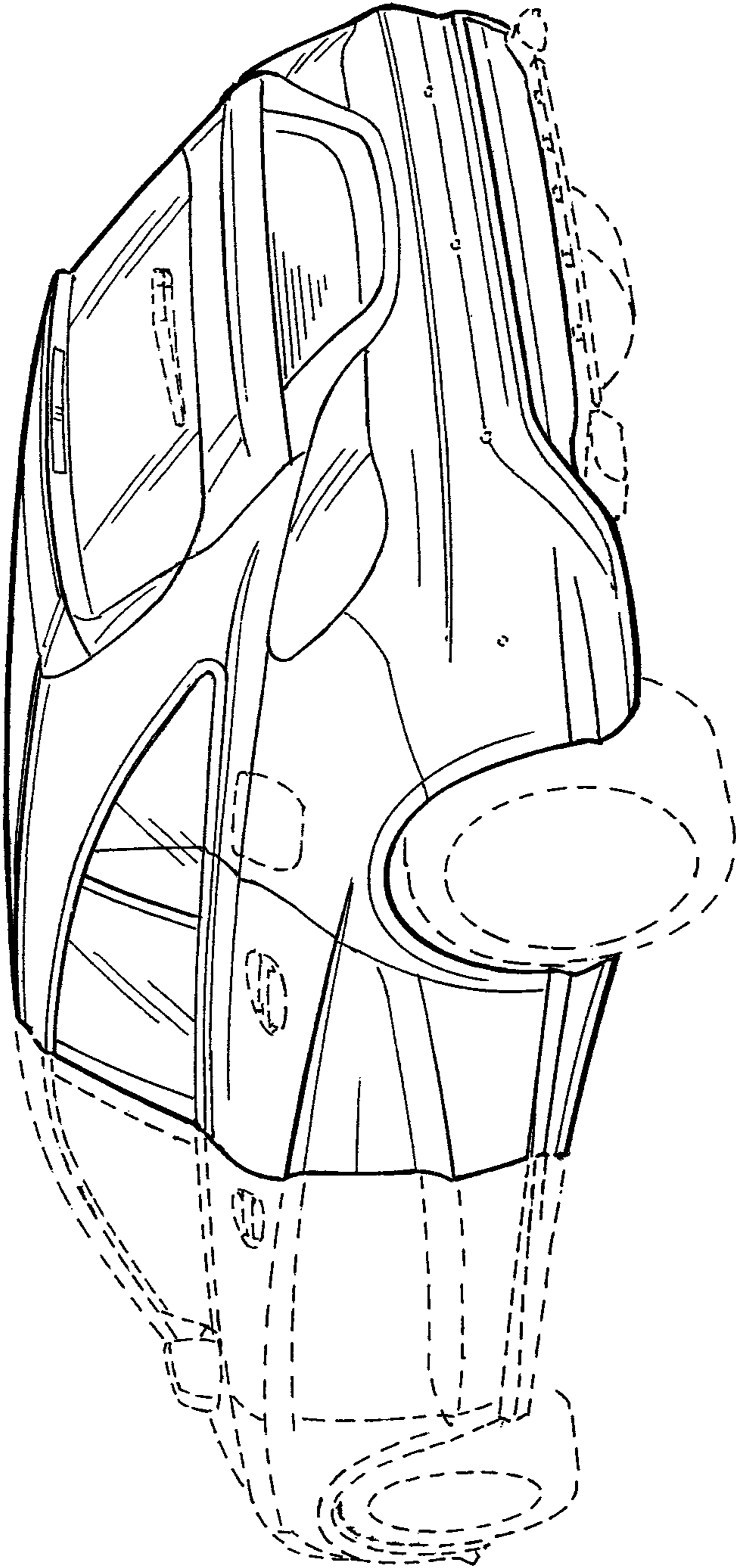


FIG. 1

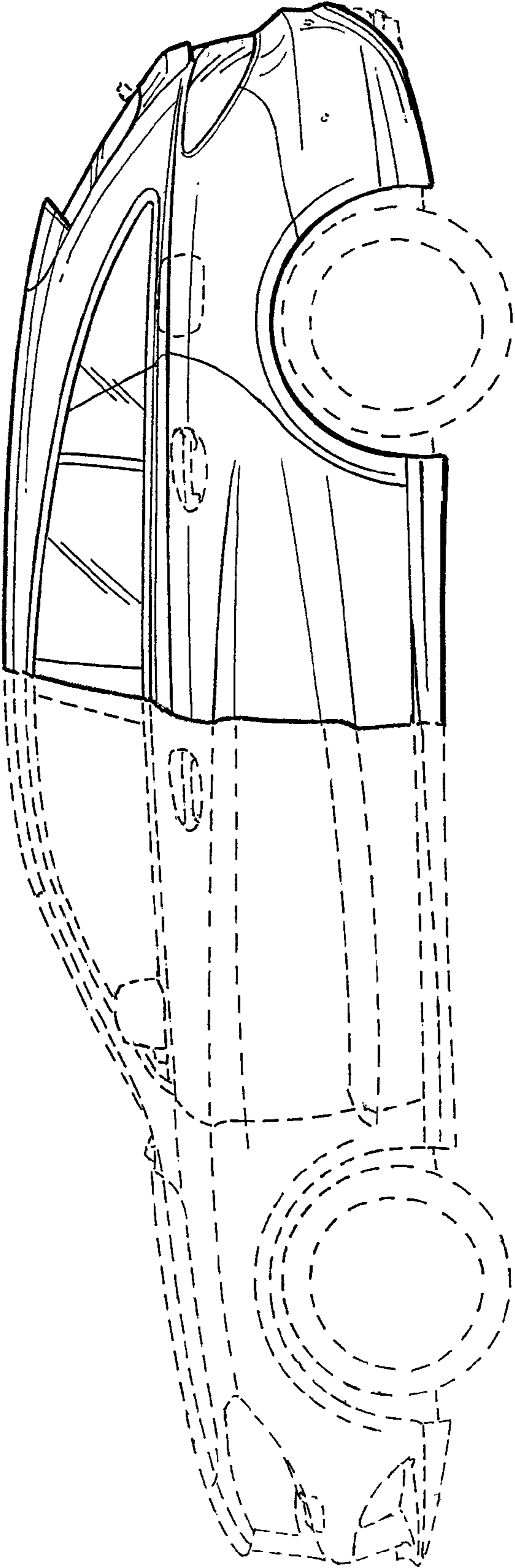


FIG. 2

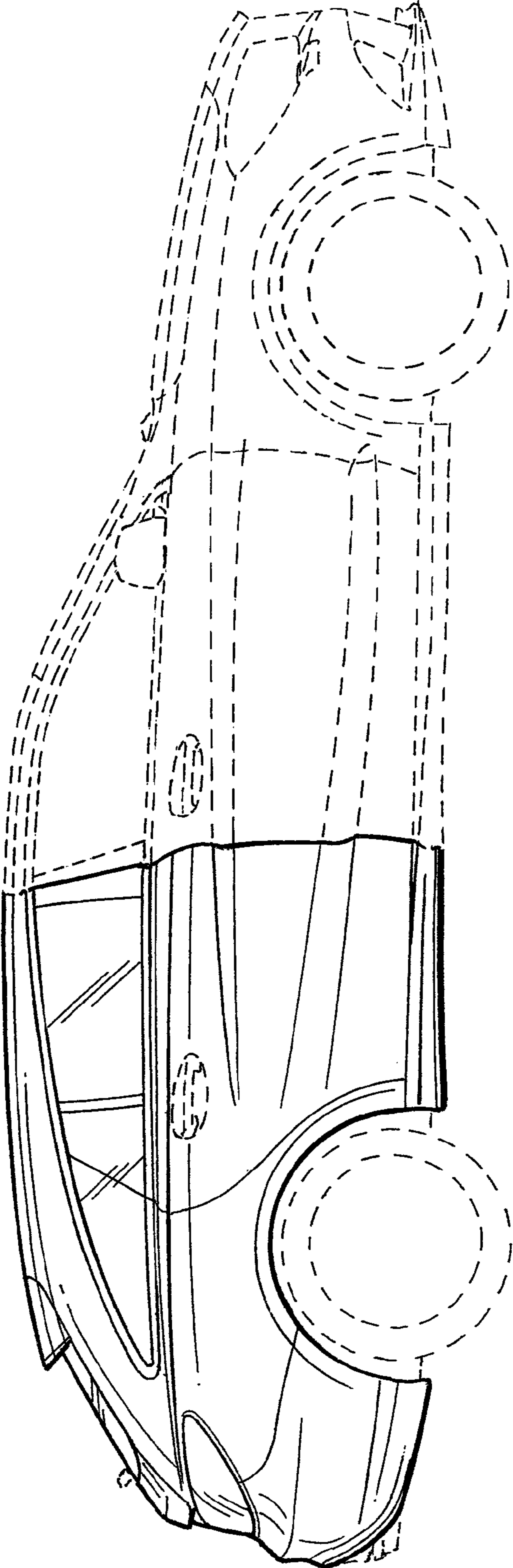


FIG. 3



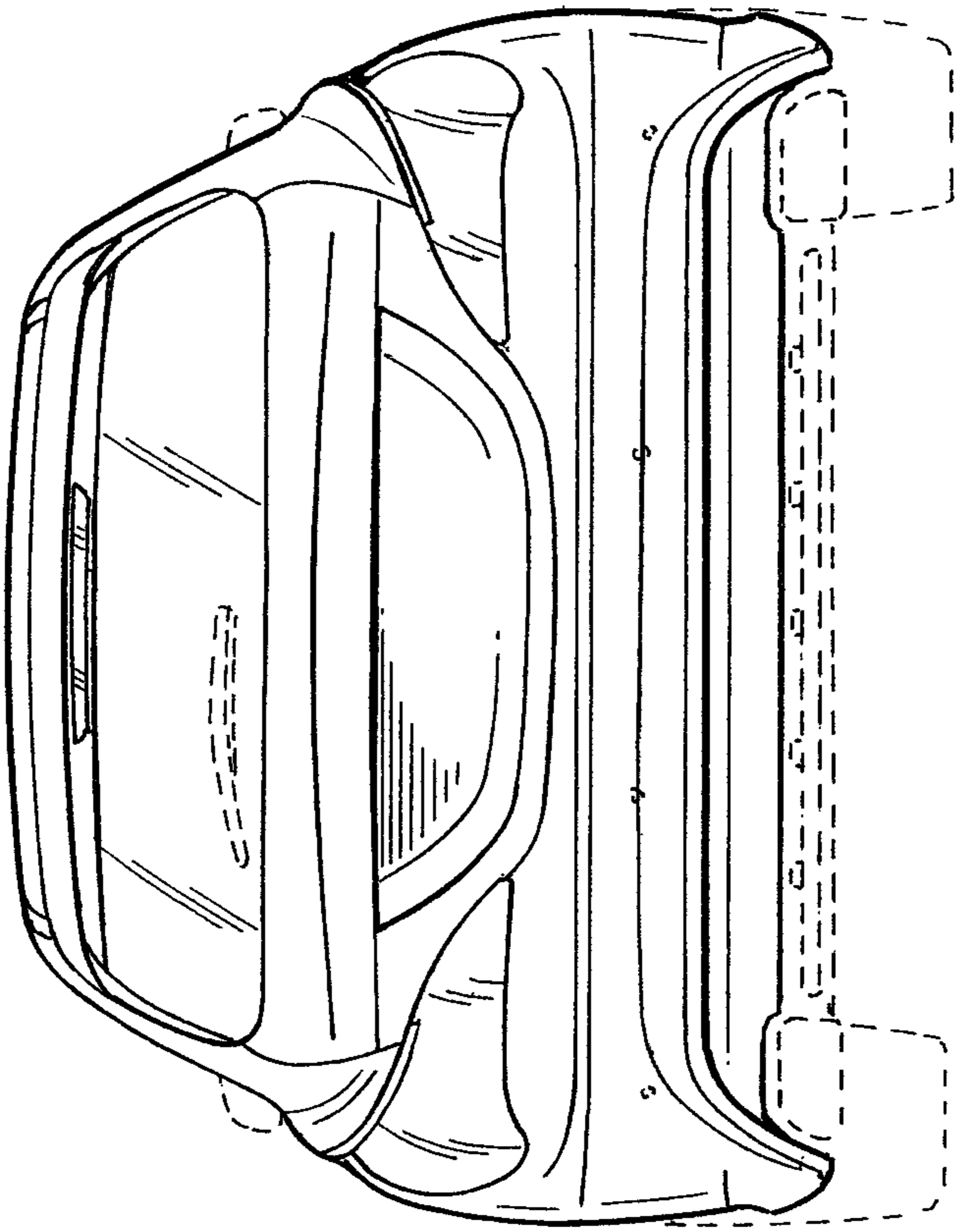


FIG. 4

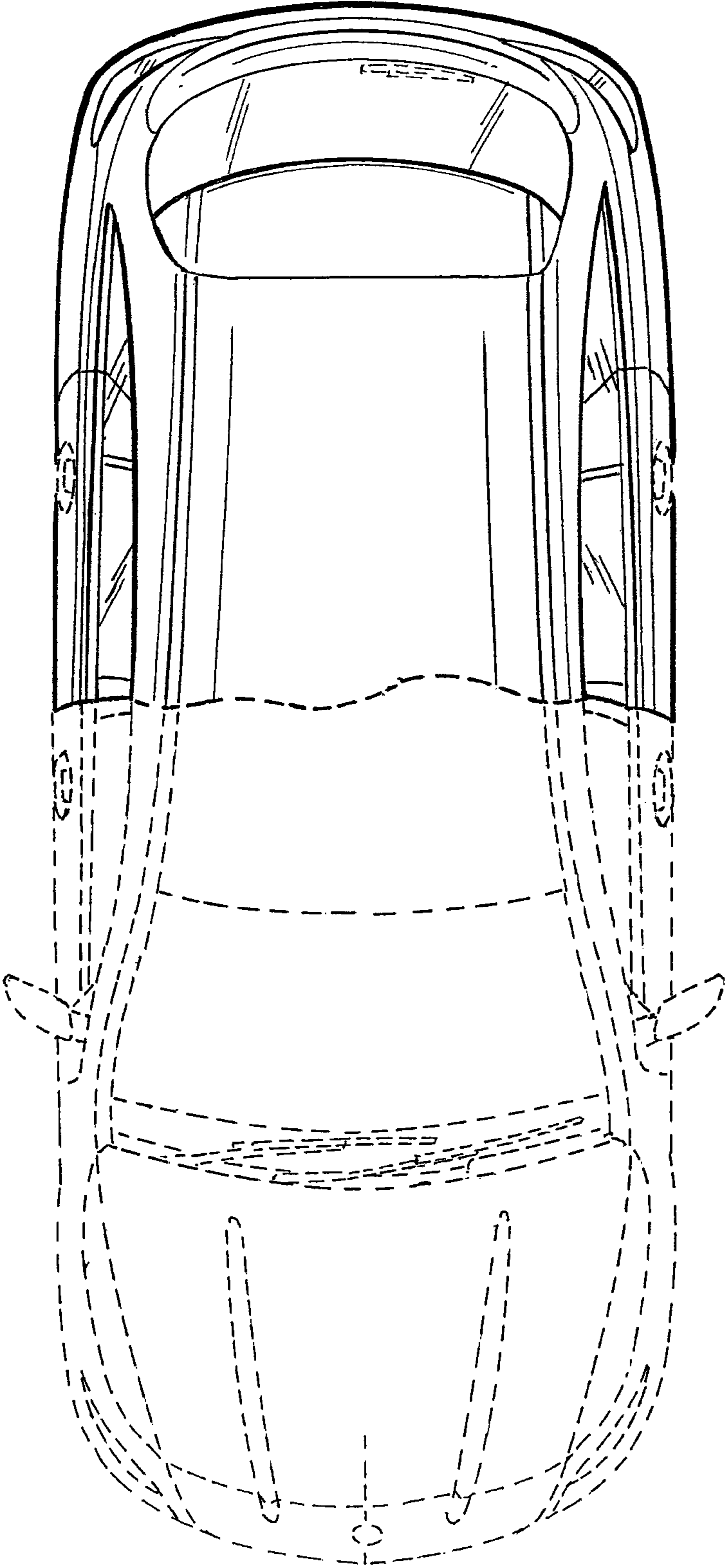


FIG. 5