



US00D733617S

(12) **United States Design Patent**
Angelfoss et al.

(10) **Patent No.:** **US D733,617 S**
(45) **Date of Patent:** **** Jul. 7, 2015**

(54) **STROLLER**

(71) Applicant: **Stokke AS, Ålesund (NO)**

(72) Inventors: **Hilde Angelfoss, Ålesund (NO);**
Hans-Cato Slotterøy, Ålesund (NO);
Alf Vegard Fjelland, Ålesund (NO);
Eivind Halseth, Ålesund (NO); Oscar
Johansen, Ålesund (NO)

(73) Assignee: **STOKKE AS (NO)**

(**) Term: **14 Years**

(21) Appl. No.: **29/498,465**

(22) Filed: **Aug. 4, 2014**

(30) **Foreign Application Priority Data**

Feb. 6, 2014 (NO) 20140111

(51) **LOC (10) Cl.** **12-12**

(52) **U.S. Cl.**
USPC **D12/129**

(58) **Field of Classification Search**
USPC D12/128-133
CPC B62B 7/00-7/04; B62B 9/00-9/28
See application file for complete search history.

(56) **References Cited**

U.S. PATENT DOCUMENTS

D493,020 S 7/2004 Resfum
D505,366 S 5/2005 Refsum et al.

D519,258 S 4/2006 Resfum
D526,601 S 8/2006 Oxseth
D580,828 S * 11/2008 Chen D12/129
D585,336 S * 1/2009 van Buul et al. D12/129
D621,306 S * 8/2010 Liao D12/129
D631,401 S * 1/2011 Bagwell et al. D12/129
D631,402 S * 1/2011 Bagwell et al. D12/129
D643,786 S * 8/2011 Barenbrug D12/129
8,033,555 B2 * 10/2011 Mostert et al. 280/47.38
D651,139 S * 12/2011 Angelfoss et al. D12/129
D654,409 S 2/2012 Angelfoss et al.
D693,743 S 11/2013 Slotteroy et al.
D699,159 S 2/2014 Slotteroy et al.

* cited by examiner

Primary Examiner — Ian Simmons

Assistant Examiner — Charles Hanson

(74) *Attorney, Agent, or Firm* — Kolisch Hartwell, P.C.

(57) **CLAIM**

I claim the ornamental design for a stroller, as shown.

DESCRIPTION

FIG. 1 is a front perspective view of a stroller according to our new design;
FIG. 2 is a front elevational view thereof;
FIG. 3 is a left side elevational view thereof;
FIG. 4 is a rear elevational view thereof;
FIG. 5 is a right side elevational view thereof;
FIG. 6 is a top plan view thereof; and,
FIG. 7 is a bottom plan view thereof.

1 Claim, 6 Drawing Sheets

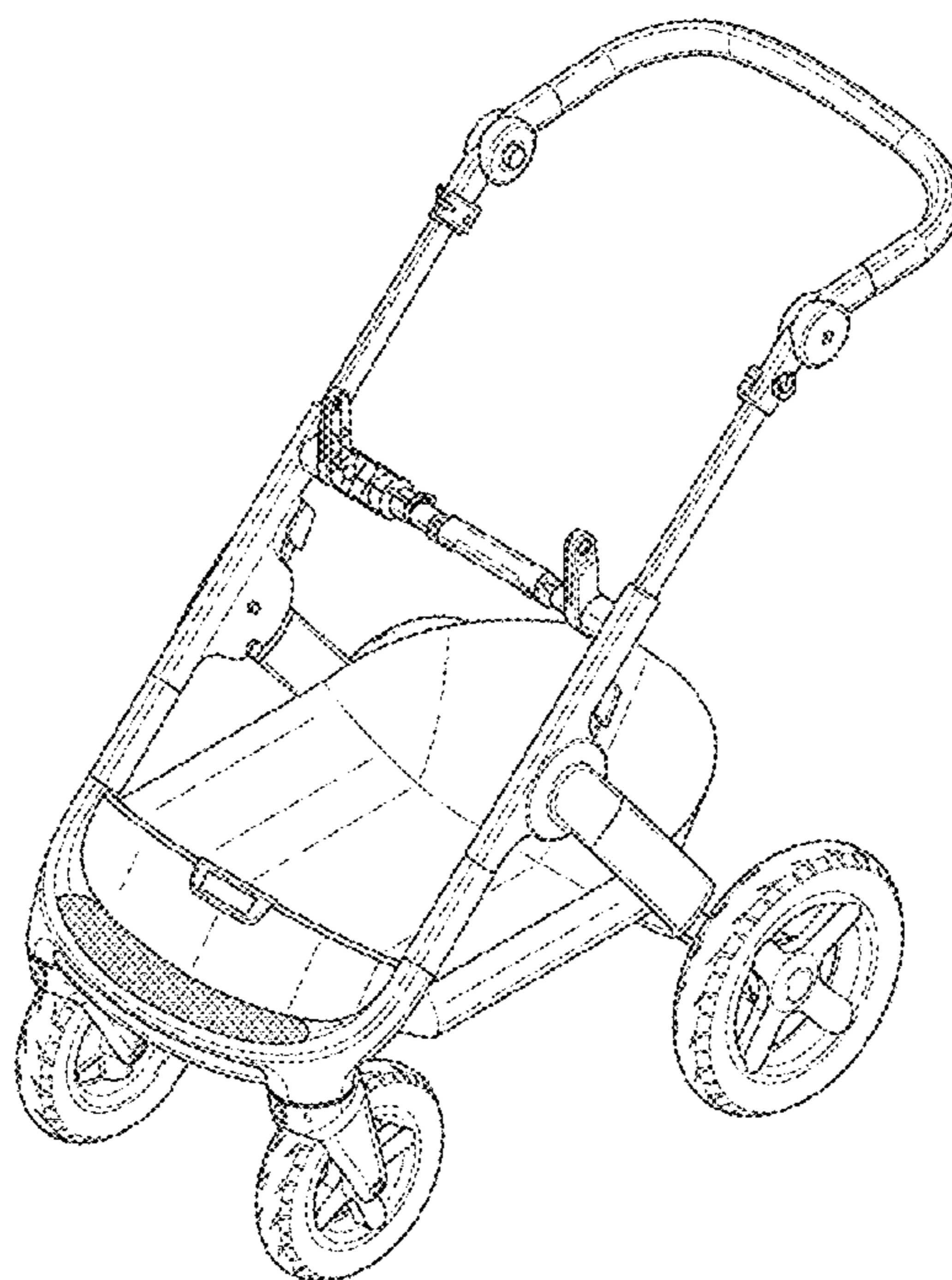


Fig. 1



Fig. 2

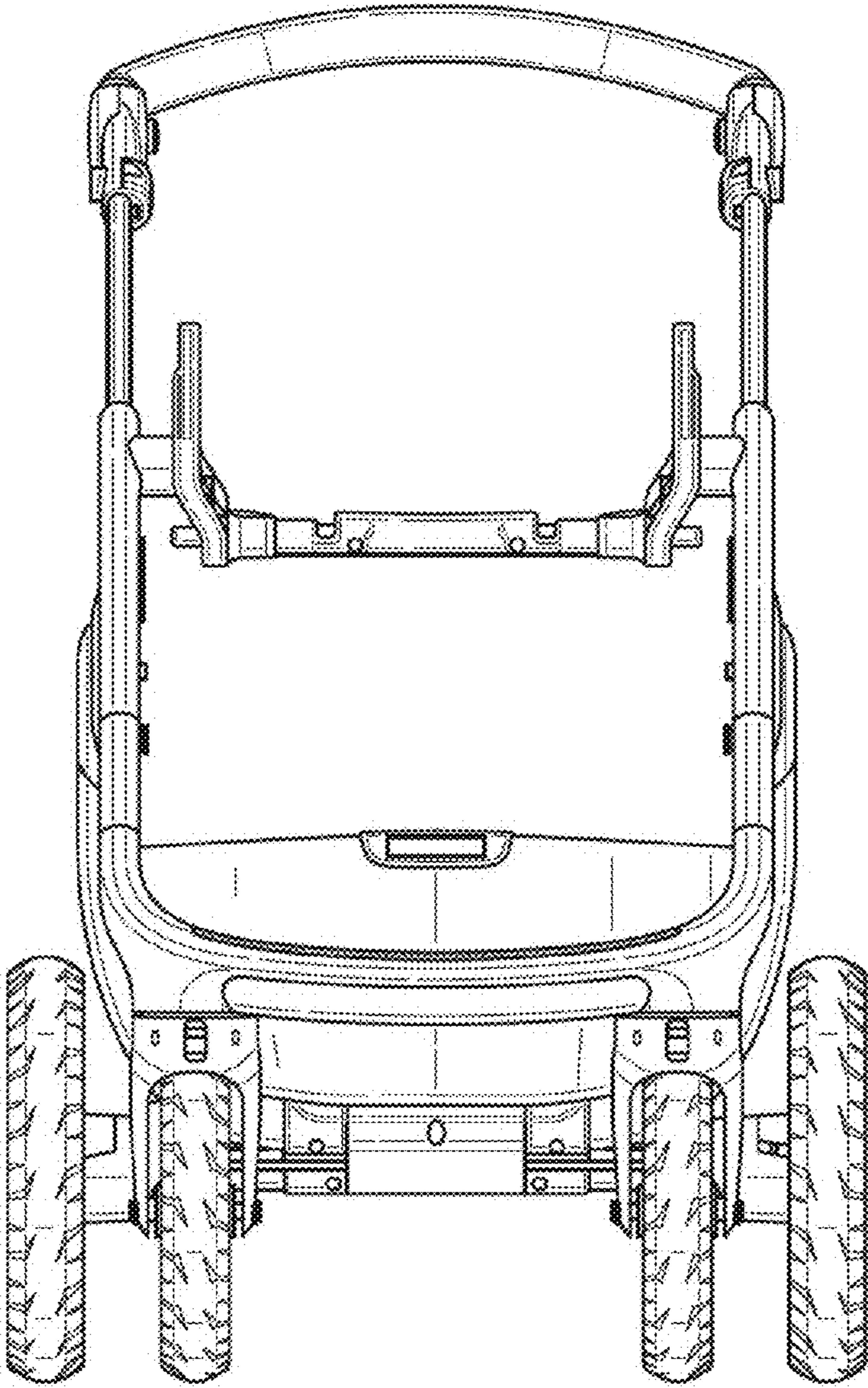


Fig. 3

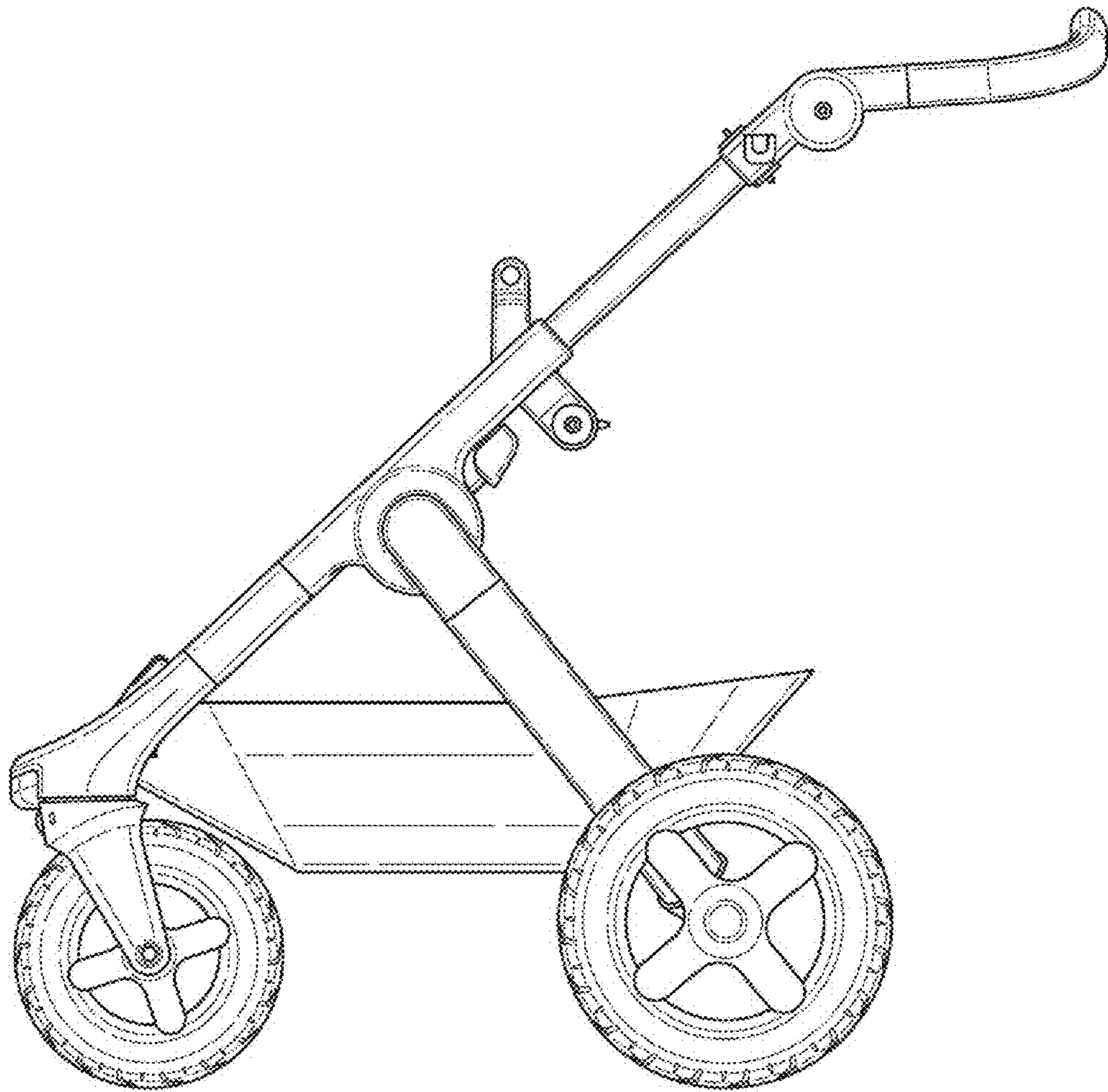


Fig. 4

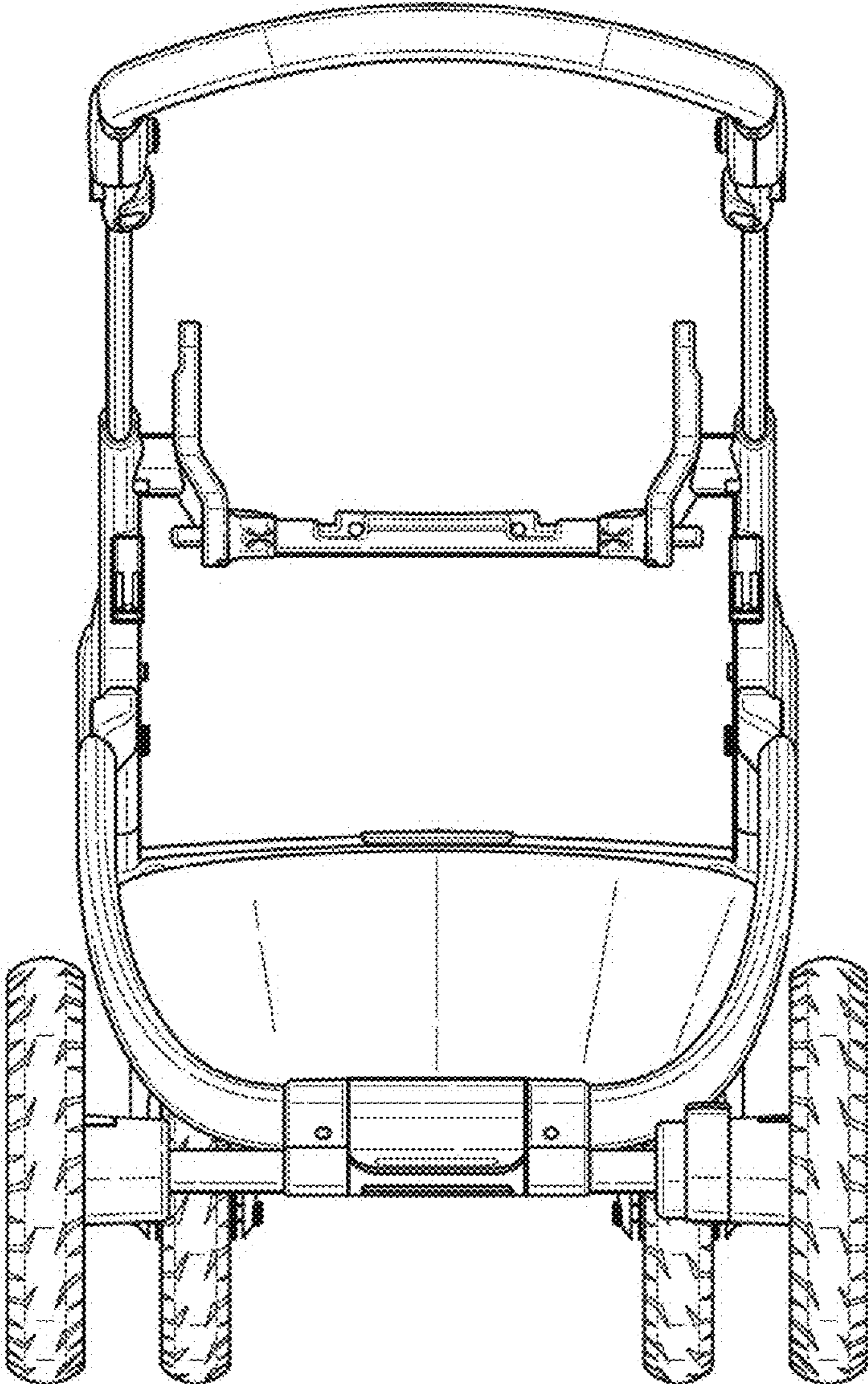


Fig. 5

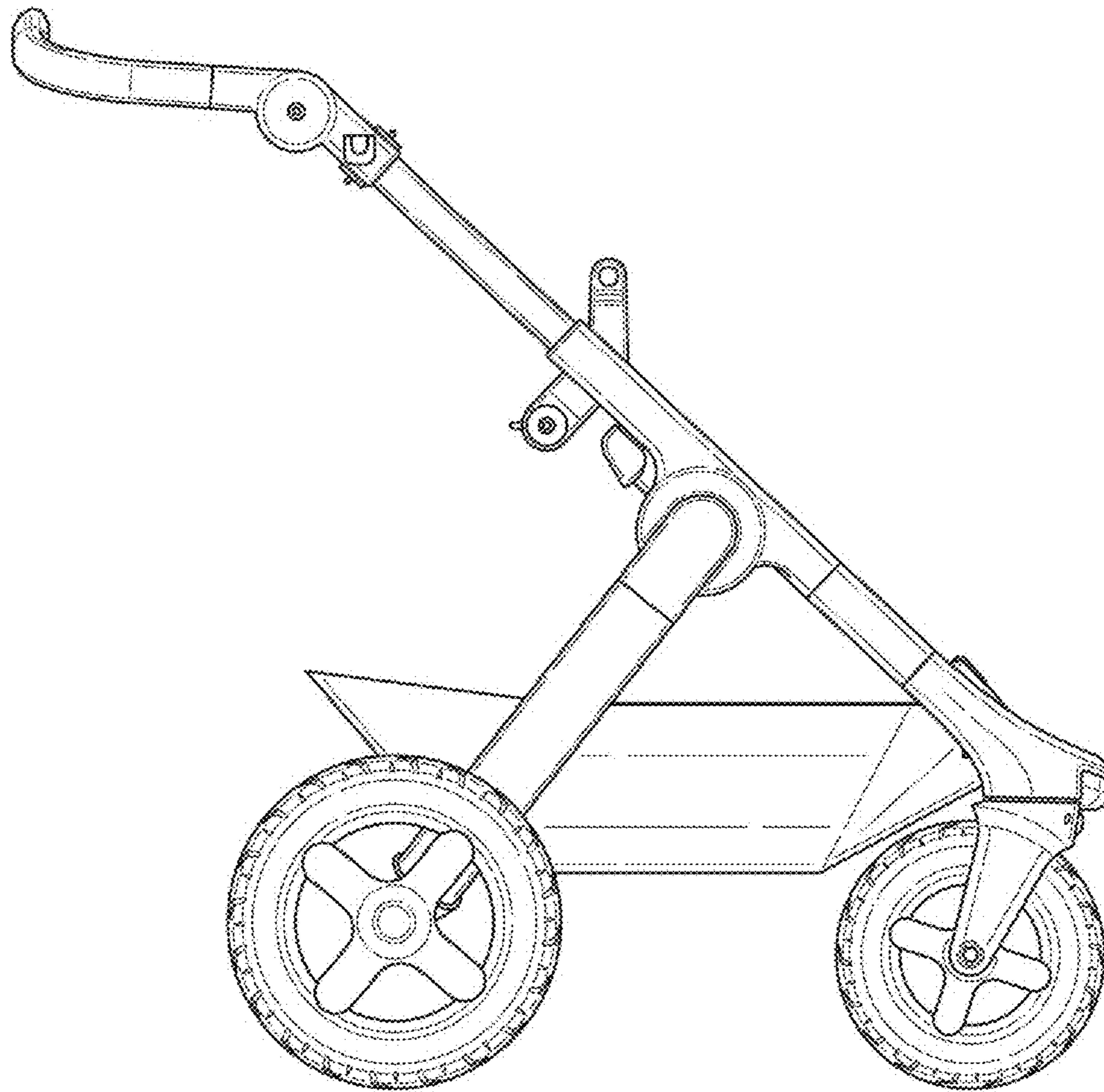


Fig. 6

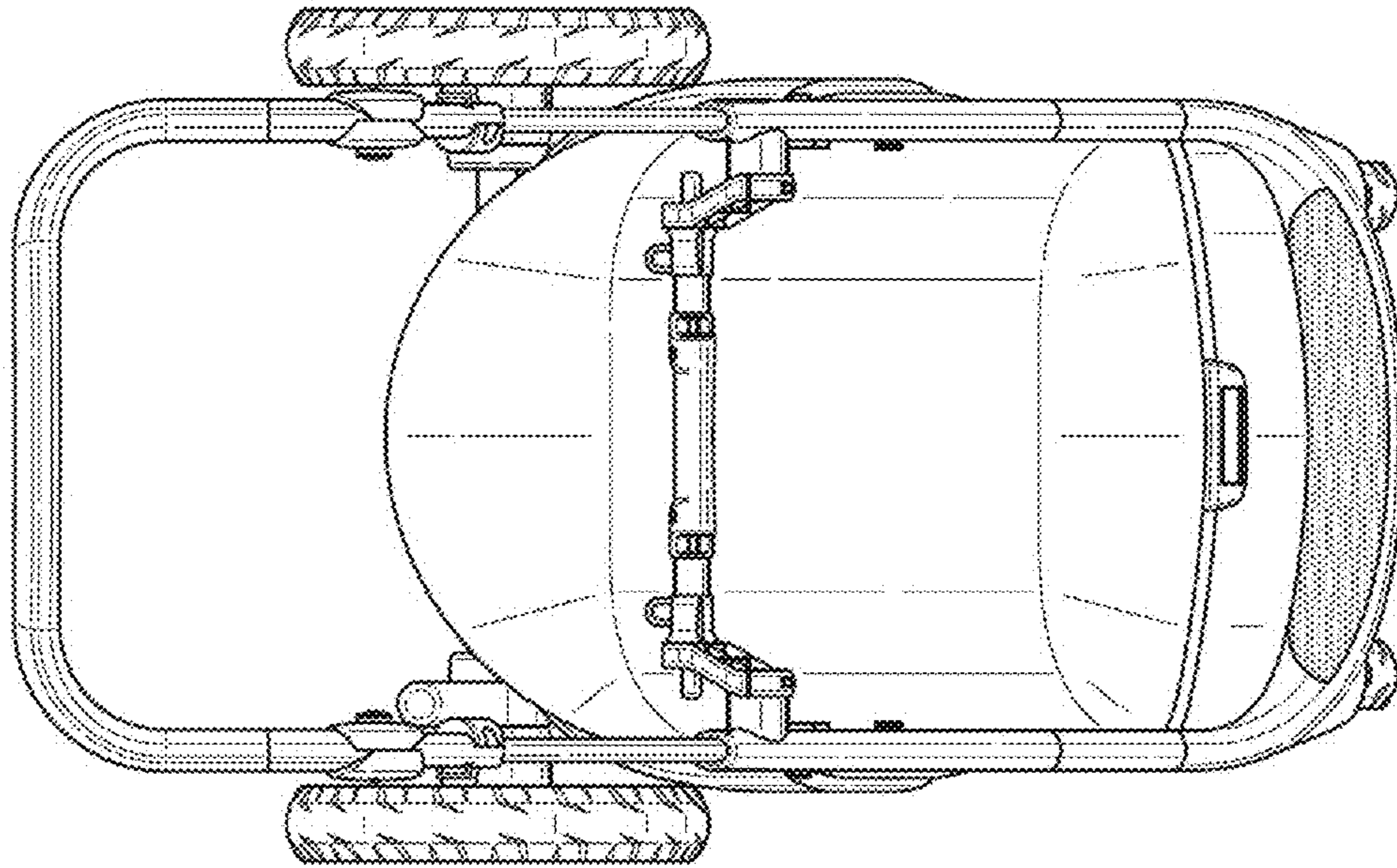


Fig. 7

