



US00D733616S

(12) **United States Design Patent**
Hammoud et al.

(10) **Patent No.:** **US D733,616 S**
(45) **Date of Patent:** **** Jul. 7, 2015**

(54) **AUTOMOBILE EXTERIOR**

CPC B62D 35/00; B62D 25/00; B62D 25/06;
B62D 25/08; B62D 33/00
See application file for complete search history.

(71) Applicants: **Mohamad J Hammoud**, Lake Orion, MI (US); **Jeffrey R Aneiros**, Birmingham, MI (US); **John S Owens**, Pleasant Ridge, MI (US); **Mark D Hall**, Rochester Hills, MI (US); **Brandon L. Faurote**, Rochester, MI (US)

(56) **References Cited**

U.S. PATENT DOCUMENTS

D647,823	S	*	11/2011	Okumoto et al.	D12/92
D674,319	S	*	1/2013	Doyle et al.	D12/92
D684,900	S	*	6/2013	Doyle et al.	D12/92
D700,870	S	*	3/2014	Jevremovic et al.	D12/92
D718,666	S	*	12/2014	Hammoud et al.	D12/92

(72) Inventors: **Mohamad J Hammoud**, Lake Orion, MI (US); **Jeffrey R Aneiros**, Birmingham, MI (US); **John S Owens**, Pleasant Ridge, MI (US); **Mark D Hall**, Rochester Hills, MI (US); **Brandon L. Faurote**, Rochester, MI (US)

* cited by examiner

Primary Examiner — Melody N Brown

(73) Assignee: **FCA US LLC**, Auburn Hills, MI (US)

(74) *Attorney, Agent, or Firm* — Ralph E Smith

(**) Term: **14 Years**

(57) **CLAIM**

The ornamental design for an automobile exterior, as shown and described.

(21) Appl. No.: **29/490,572**

DESCRIPTION

(22) Filed: **May 12, 2014**

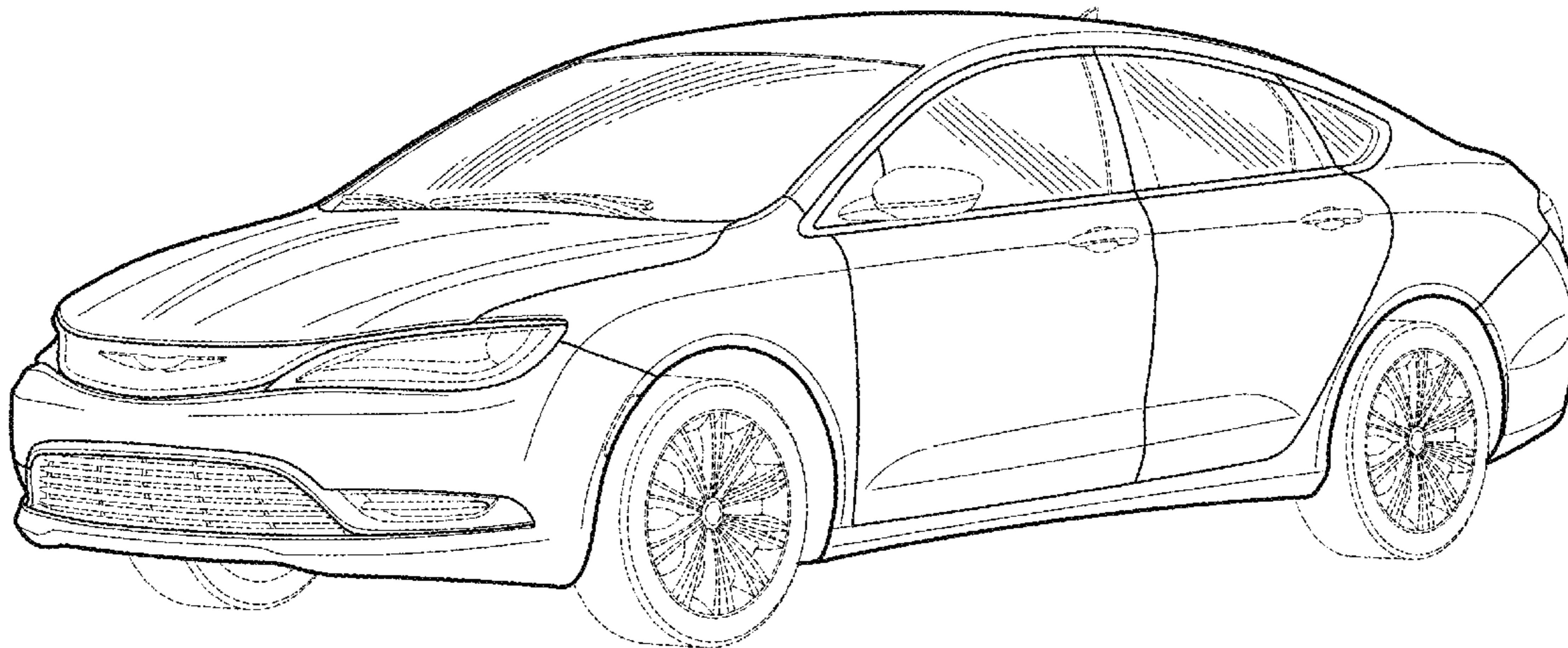
FIG. 1 is a front perspective view of an automobile exterior showing our new design;
FIG. 2 is a rear perspective view thereof;
FIG. 3 is a top plan view thereof;
FIG. 4 is a side view thereof;
FIG. 5 is a front view thereof; and,
FIG. 6 is a rear view thereof.

Related U.S. Application Data

- (63) Continuation-in-part of application No. 29/476,470, filed on Dec. 13, 2013, now Pat. No. Des. 718,666.
- (51) **LOC (10) Cl.** **12-08**
- (52) **U.S. Cl.**
USPC **D12/92**
- (58) **Field of Classification Search**
USPC D12/86, 90-92; D21/421, 433, 434;
296/181.1, 181.5

It will be understood that the broken lines presented in the drawings are for illustration only, and do not form a part of the claimed design.

1 Claim, 5 Drawing Sheets



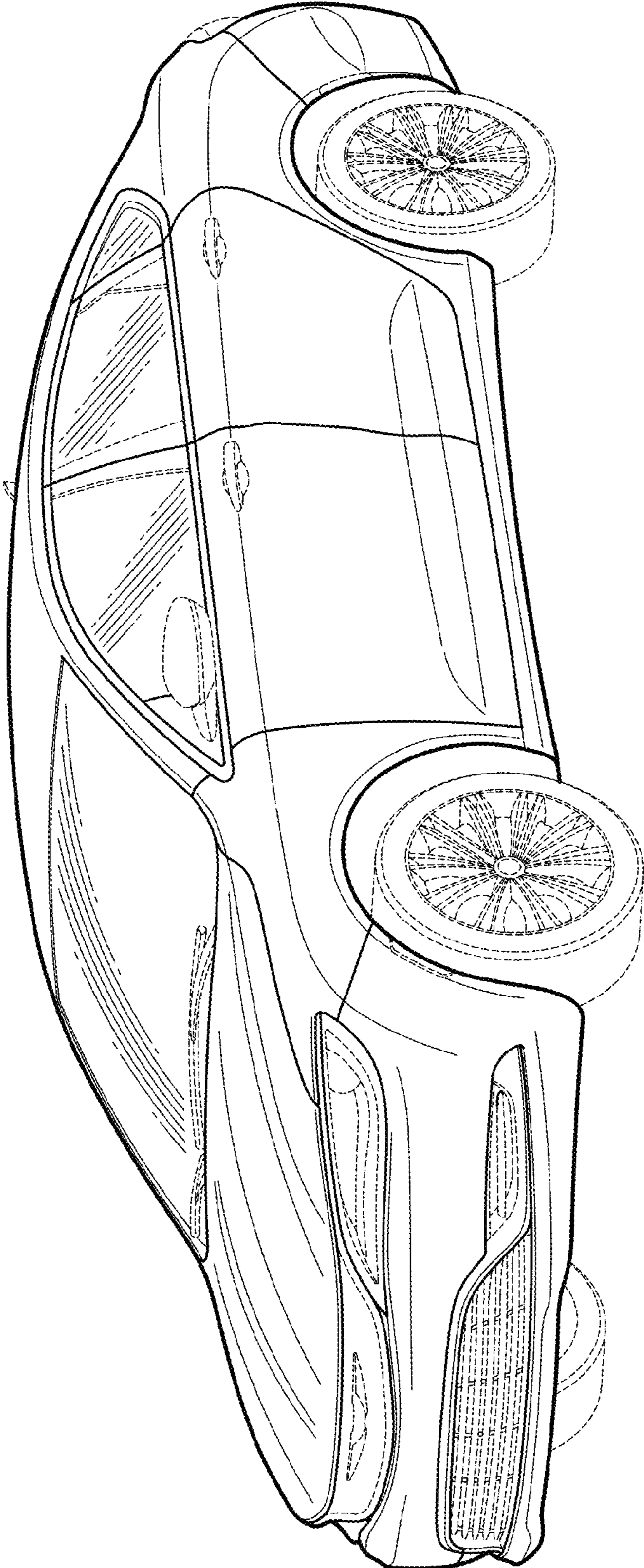


FIG. 1

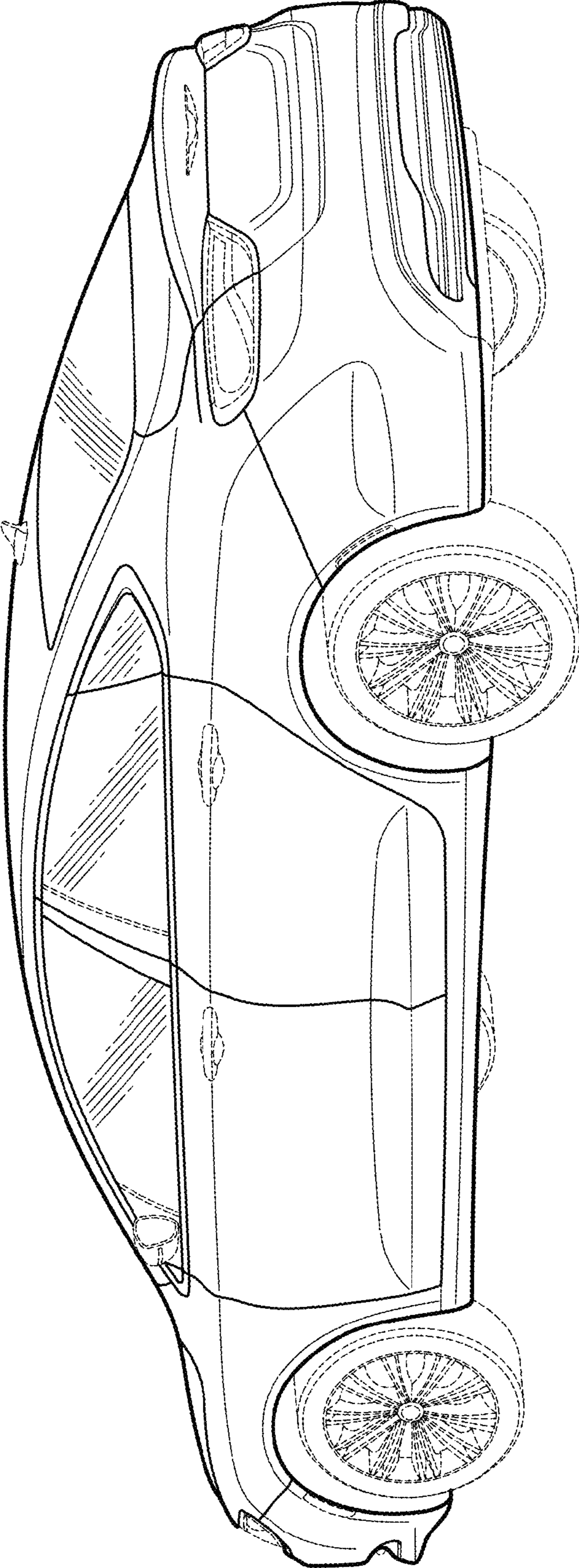


FIG. 2

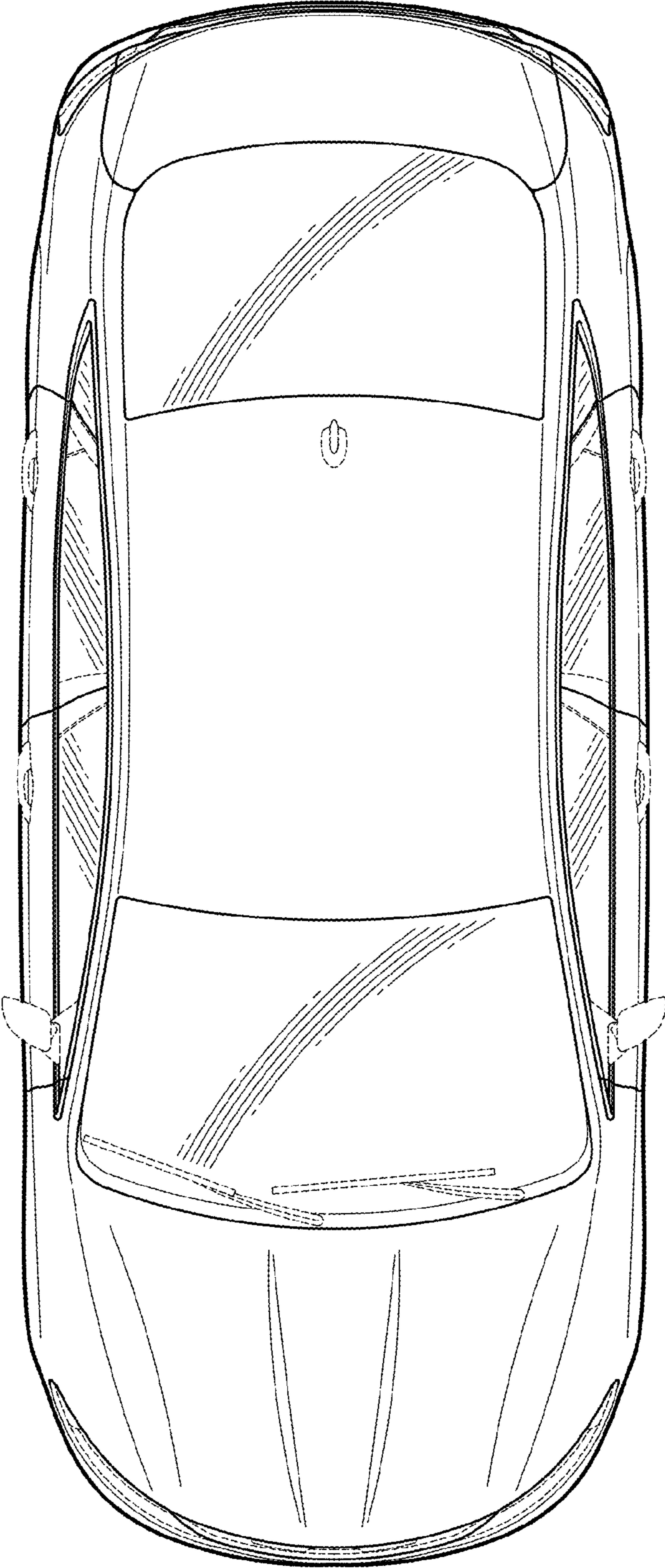


FIG. 3

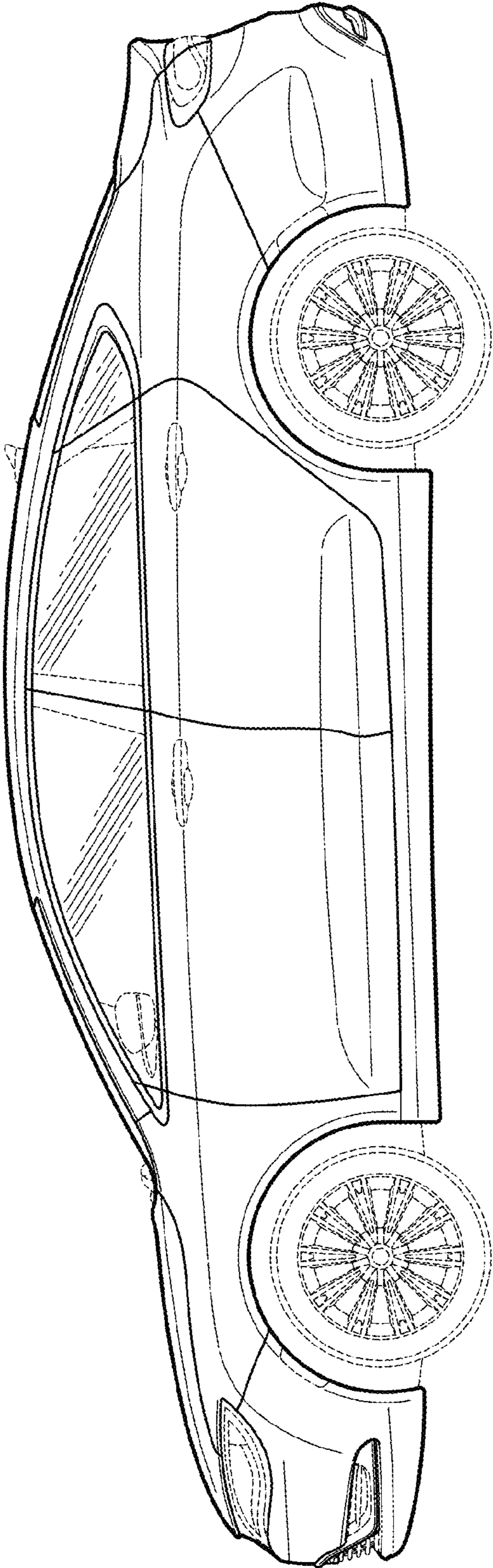


FIG. 4

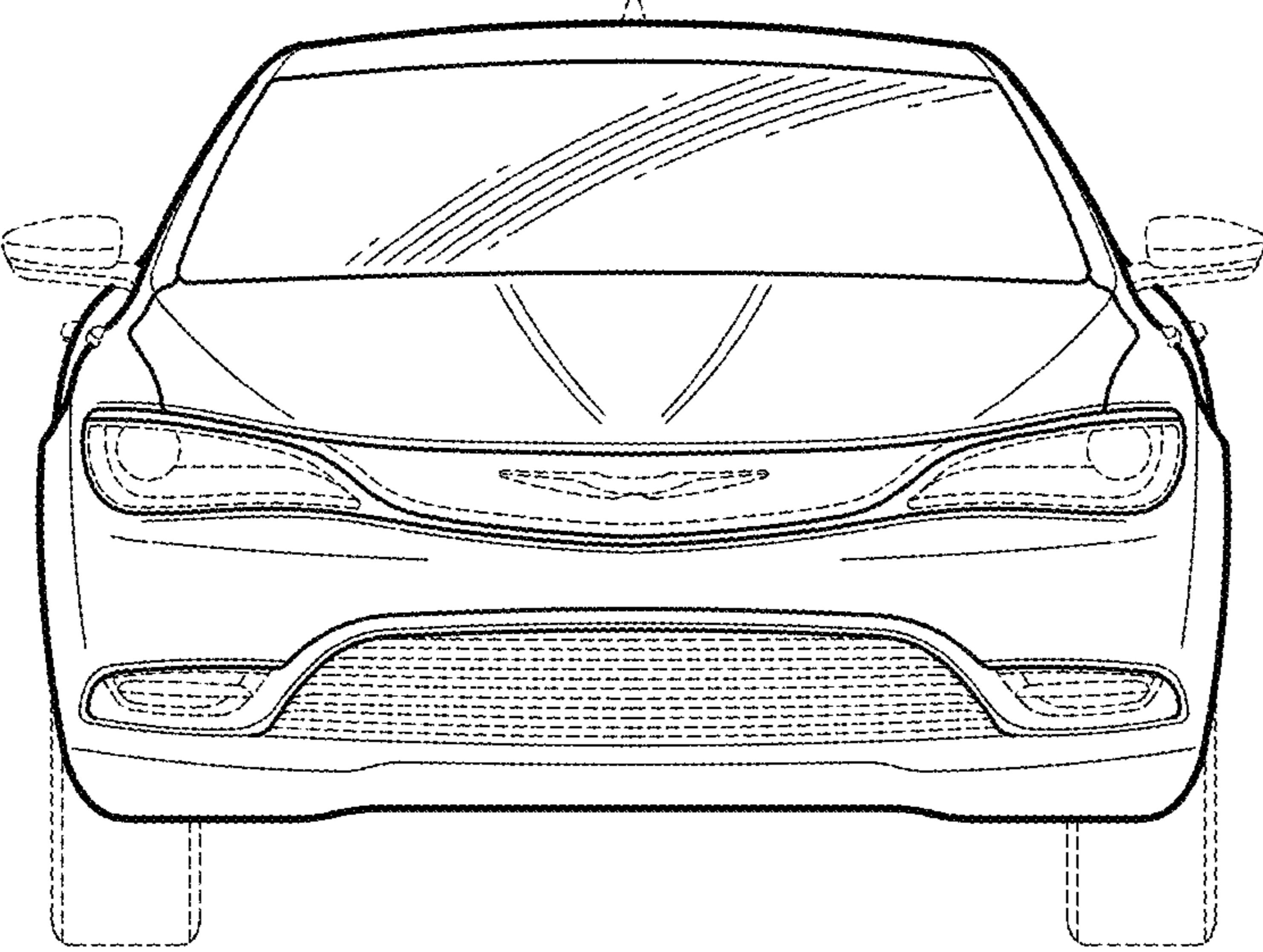


FIG. 5

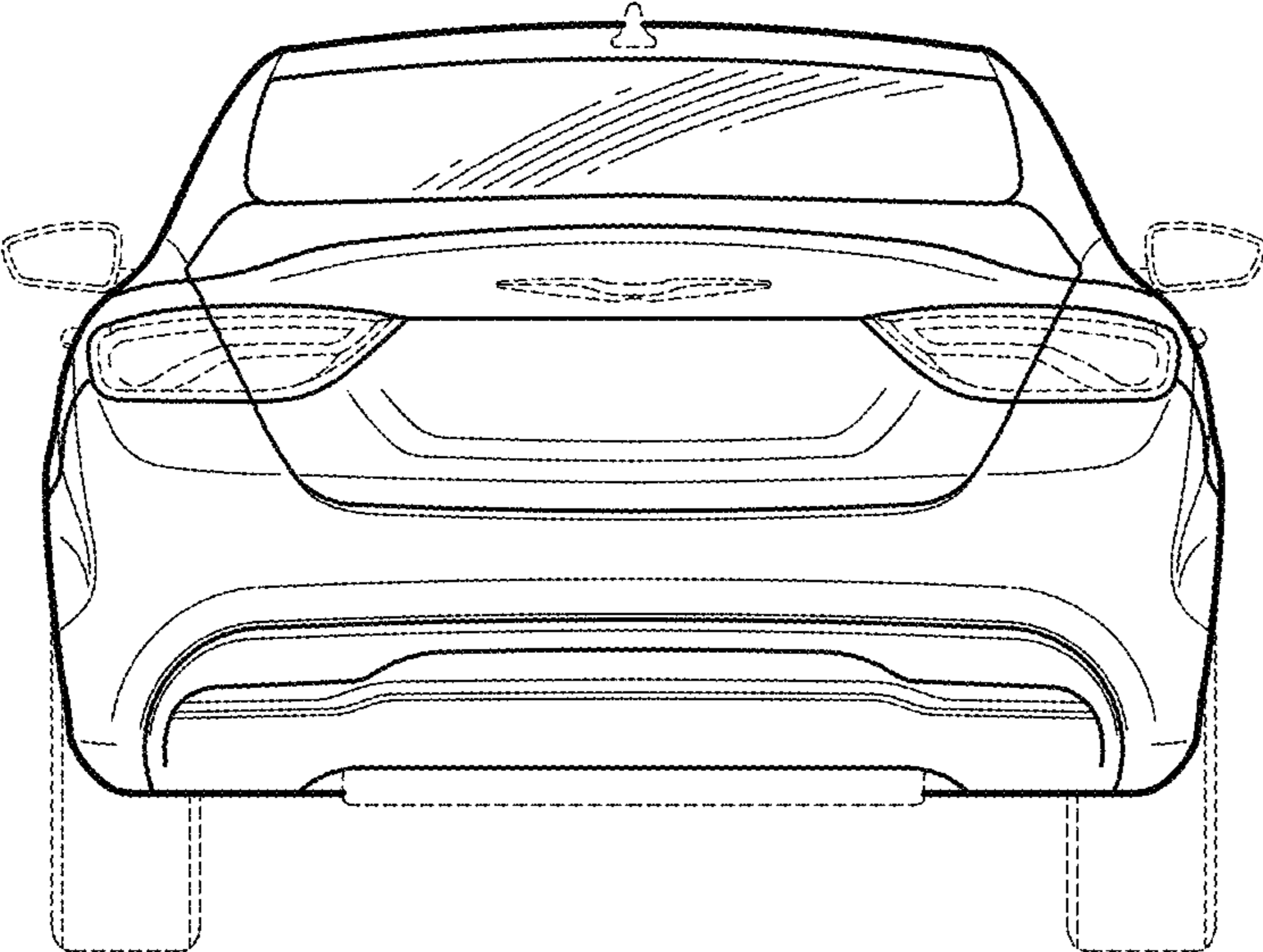


FIG. 6