



US00D733607S

(12) **United States Design Patent**
Paulson et al.

(10) **Patent No.:** **US D733,607 S**
(45) **Date of Patent:** **** Jul. 7, 2015**

(54) **BIRD MOBILE**

OTHER PUBLICATIONS

(71) Applicants: **Todd S Paulson**, Edina, MN (US);
Alison J Paulson, Edina, MN (US)

<https://www.etsy.com/listing/204570737/100-merino-wool-felt-bird-mobile-eco?ref=related-5> listed Feb. 6, 2015 found Feb. 19, 2015.*

(Continued)

(72) Inventors: **Todd S Paulson**, Edina, MN (US);
Alison J Paulson, Edina, MN (US)

Primary Examiner — Eric Goodman
Assistant Examiner — Amy Wierenga

(74) *Attorney, Agent, or Firm* — Vidas, Arrett & Steinkraus

(**) Term: **14 Years**

(57) **CLAIM**

The ornamental design for a bird mobile, as shown and described.

(21) Appl. No.: **29/483,896**

DESCRIPTION

(22) Filed: **Mar. 4, 2014**

(51) **LOC (10) Cl.** **11-02**

(52) **U.S. Cl.**
USPC **D11/141**

(58) **Field of Classification Search**
USPC D11/8, 141, 157, 158, 164, 184;
D21/467; 40/128, 38

See application file for complete search history.

FIG. 1 is a perspective view of the design seen from the front, to the left, vertical orientation thereof being arbitrary for the purposes of description;
FIG. 2 is an enlarged perspective of detail of a plurality of identical first common suspended elements taken from the area 2 in FIG. 1 and having string removed and shown from the front, to the right and slightly below;
FIG. 3 is a right side elevational view of the subject of FIG. 2;
FIG. 4 is a front elevational view thereof;
FIG. 5 is a rear elevational view thereof;
FIG. 6 is a top plan view thereof;
FIG. 7 is a bottom plan view thereof;
FIG. 8 is a top plan view of the second suspended element taken along line 8-8 in FIG. 1 and having string removed;
FIG. 9 is a front elevational view of the subject of FIG. 8, rear elevation being a mirror image thereof;
FIG. 10 is a right side elevational view thereof, rear elevational view being a mirror image thereof;
FIG. 11 is a bottom plan view thereof;
FIG. 12 is a top plan view of the third suspended element taken along line 12-12 in FIG. 1, the bottom plan view being a mirror image thereof, having the string removed; and,
FIG. 13 is a common side elevational view of the subject of FIG. 12.

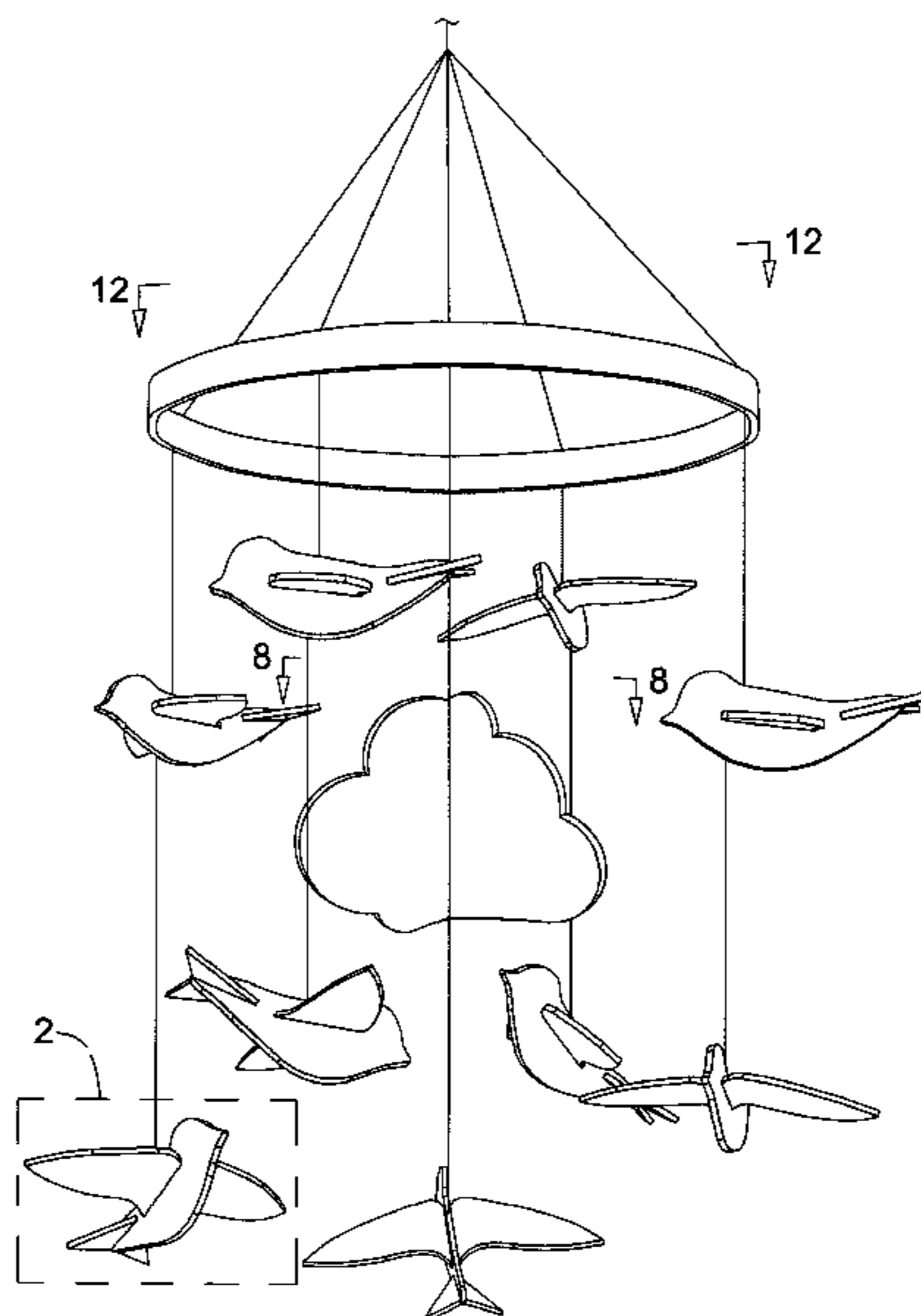
(56) **References Cited**

U.S. PATENT DOCUMENTS

2,769,276	A *	11/1956	Steiner	446/227
2,994,156	A *	8/1961	Steiner et al.	446/227
D213,982	S *	4/1969	Simon	D21/467
3,762,084	A *	10/1973	Jones	40/613
D259,549	S *	6/1981	Jacobs	D11/141
D259,628	S *	6/1981	Jacobs	D11/141
D259,773	S *	7/1981	Sweet	D11/141
D262,000	S *	11/1981	Gall	D11/141
D327,714	S *	7/1992	Meigs	D21/467
D330,347	S *	10/1992	Evans	D11/141
D370,567	S *	6/1996	Veros	D6/302
D374,841	S *	10/1996	Lonsky	D11/141
D383,172	S *	9/1997	Allegre	D21/467
D387,460	S *	12/1997	Huang	D26/73

(Continued)

1 Claim, 5 Drawing Sheets



(56)

References Cited

U.S. PATENT DOCUMENTS

D394,678 S * 5/1998 Espinoza D21/406
D419,098 S * 1/2000 Evans D10/118.1
D459,898 S * 7/2002 Sanford D6/302
D460,273 S * 7/2002 Henick D6/302
D465,932 S * 11/2002 Henick D6/302
D474,616 S * 5/2003 Henick D6/302
D474,899 S * 5/2003 Henick D6/301
D479,654 S * 9/2003 Henick D6/301
D535,909 S * 1/2007 Banman D11/141
D565,455 S * 4/2008 Chan D11/141
D692,793 S * 11/2013 Stoeppler D11/120

OTHER PUBLICATIONS

<https://www.etsy.com/listing/160422715/baby-crib-mobile-bird-mobile-felt-mobile?ref=market> listed Feb. 7, 2015 found Feb. 19, 2015.*
<https://www.etsy.com/listing/70427180/bird-mobile-baby-mobile-birds-and-cloud?ref=market> listed Jan. 29, 2015 found Feb. 19, 2015.*
<https://www.etsy.com/listing/91343663/bird-mobile-pink-yellow-aqua-for-baby?ref=market> listed Nov. 1, 2014 found Feb. 19, 2015.*
https://www.etsy.com/people/dundryhill?ref=owner_profile_leftnav# Joined Etsy Jan. 24, 2011 Found Feb. 19, 2015.*

* cited by examiner

FIG. 1

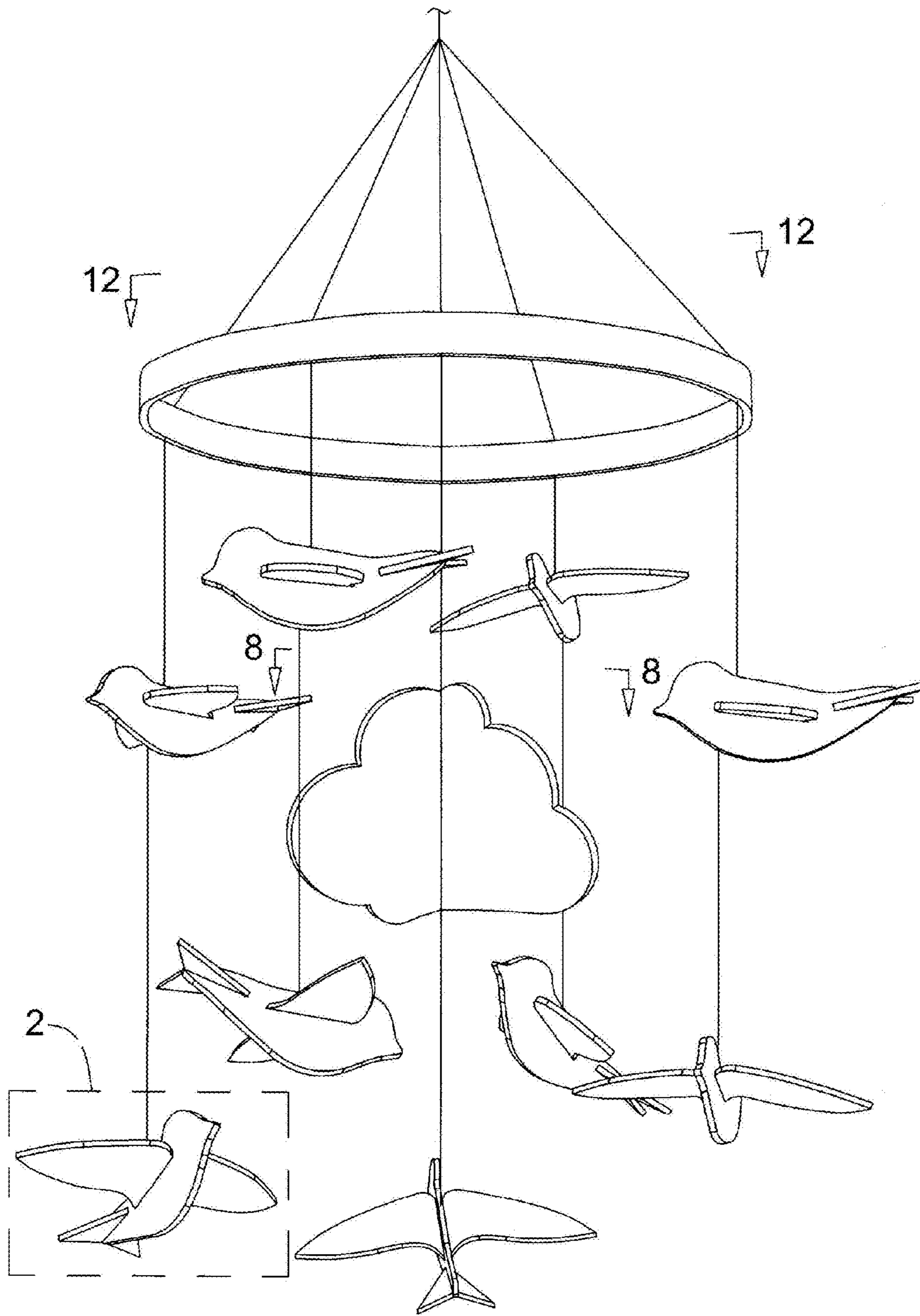


FIG. 2

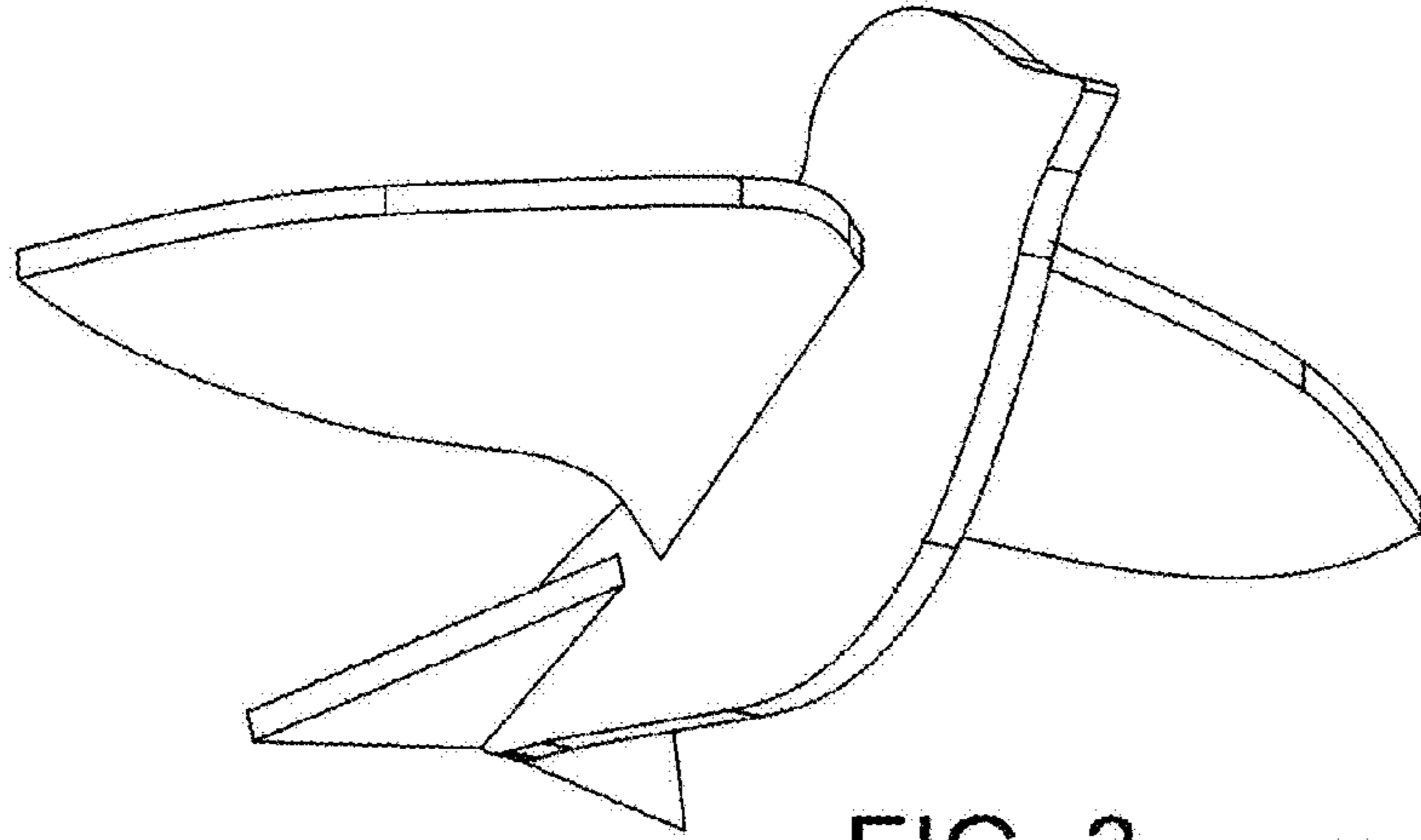


FIG. 3

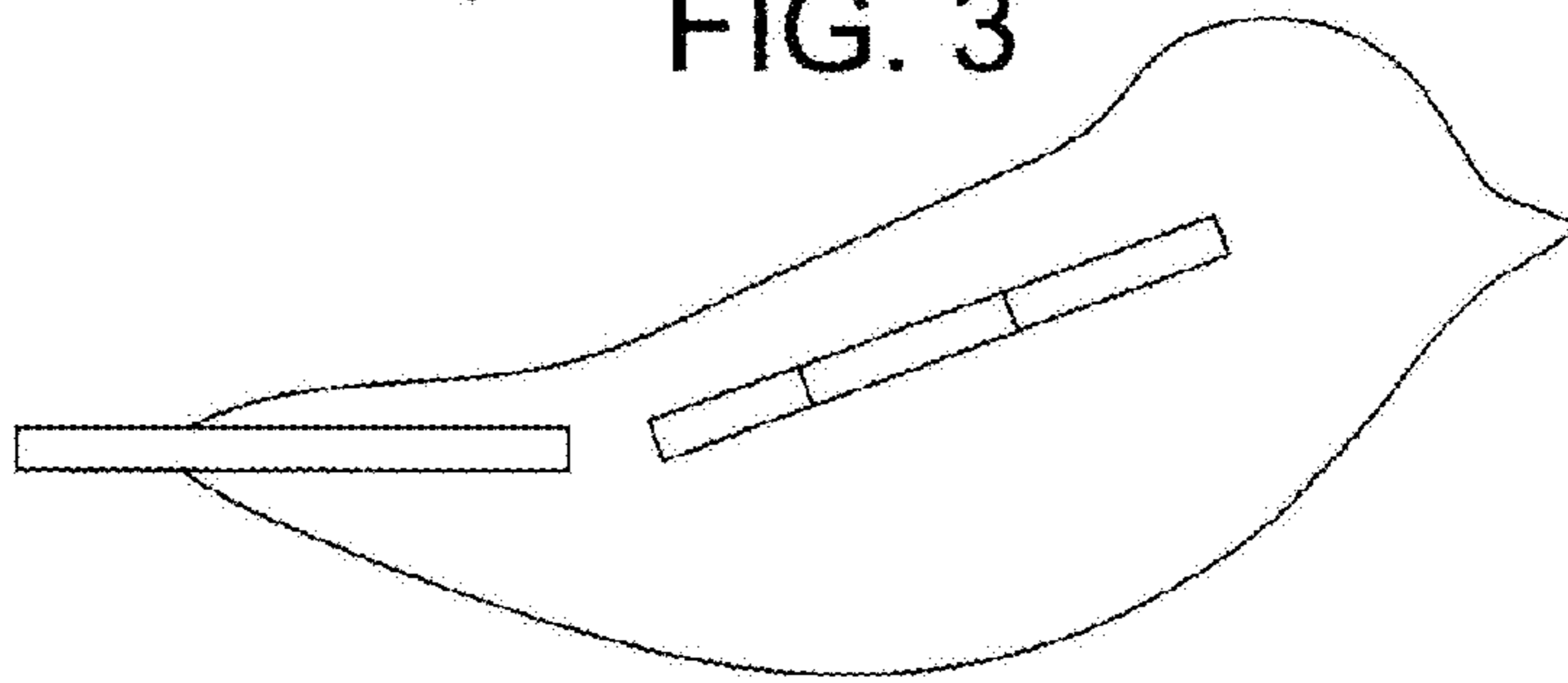


FIG. 4

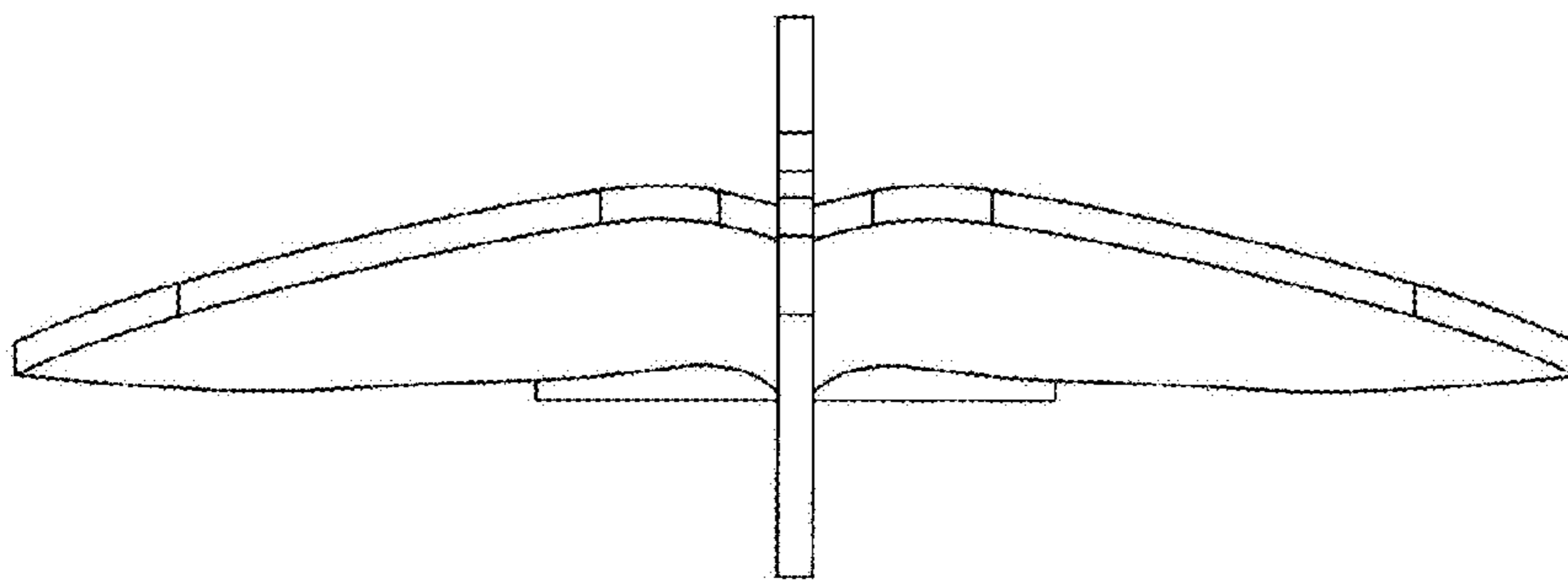


FIG. 5

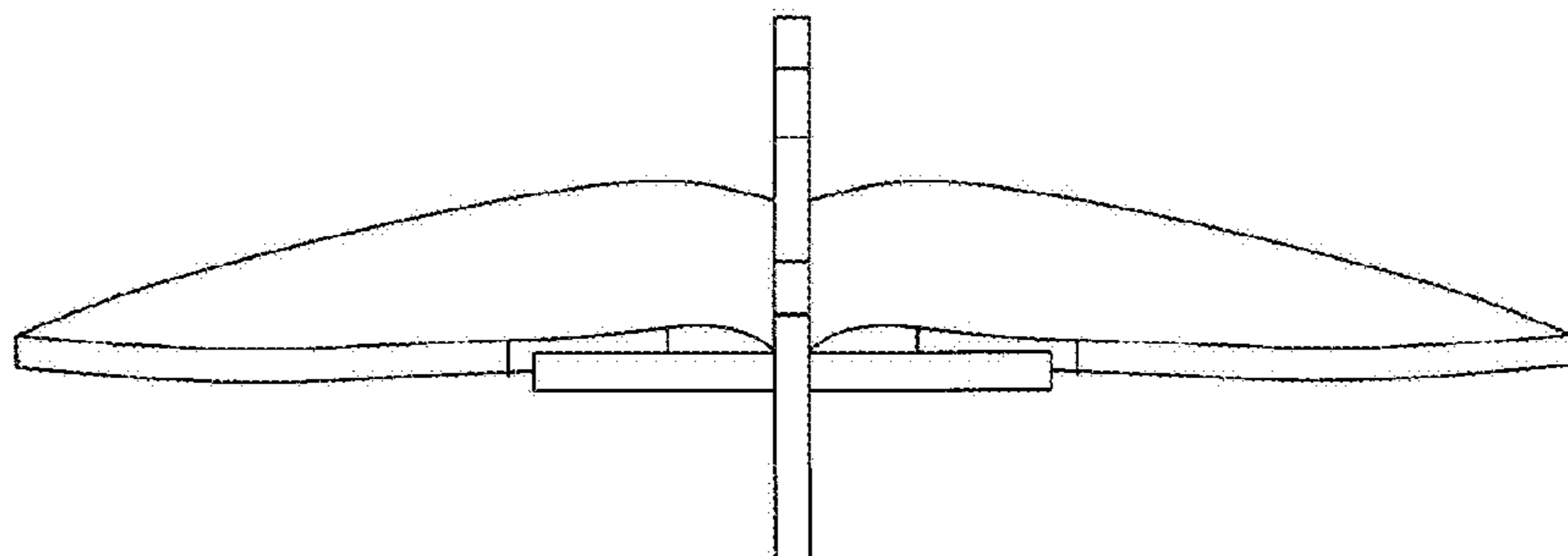


FIG. 6

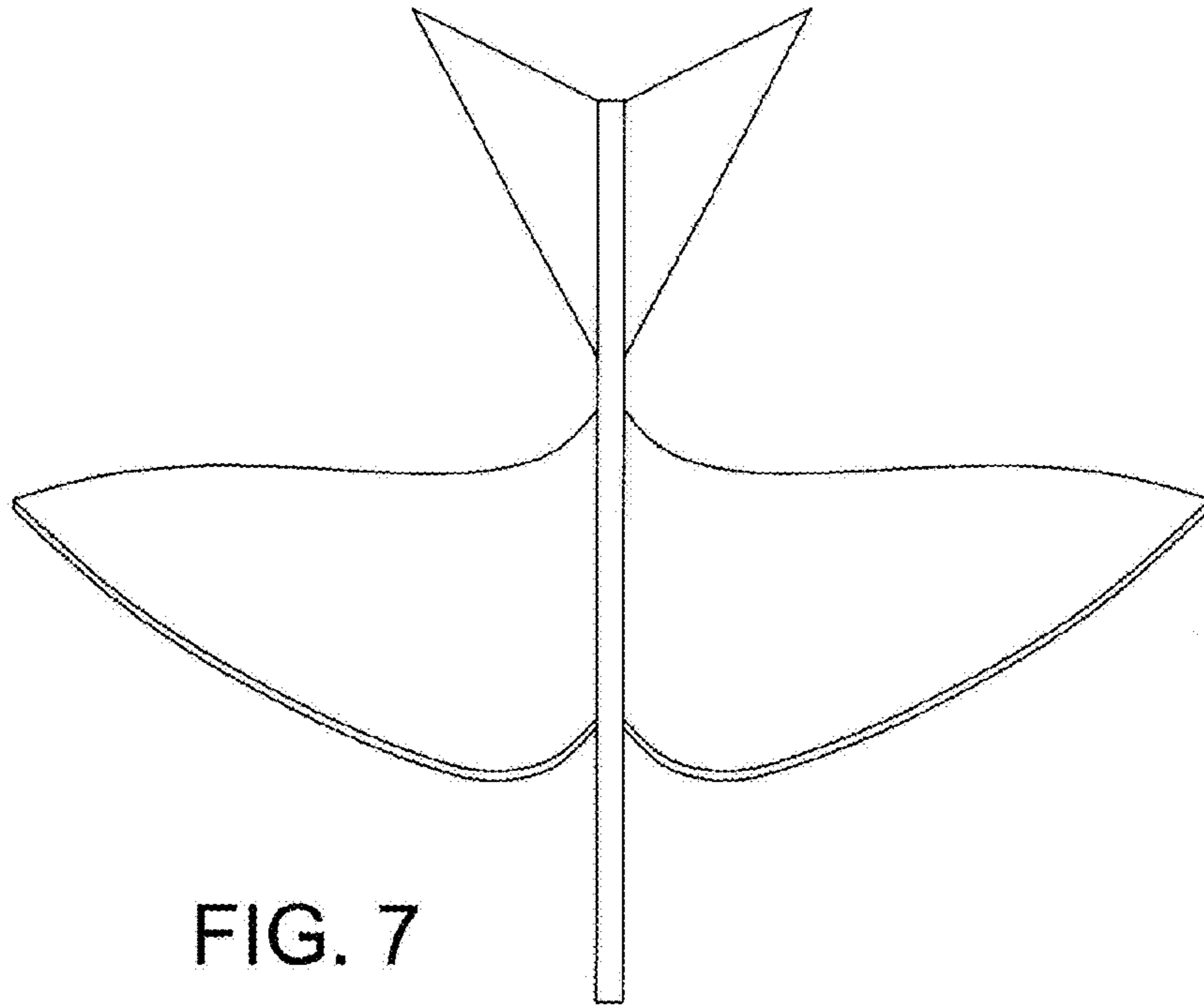


FIG. 7

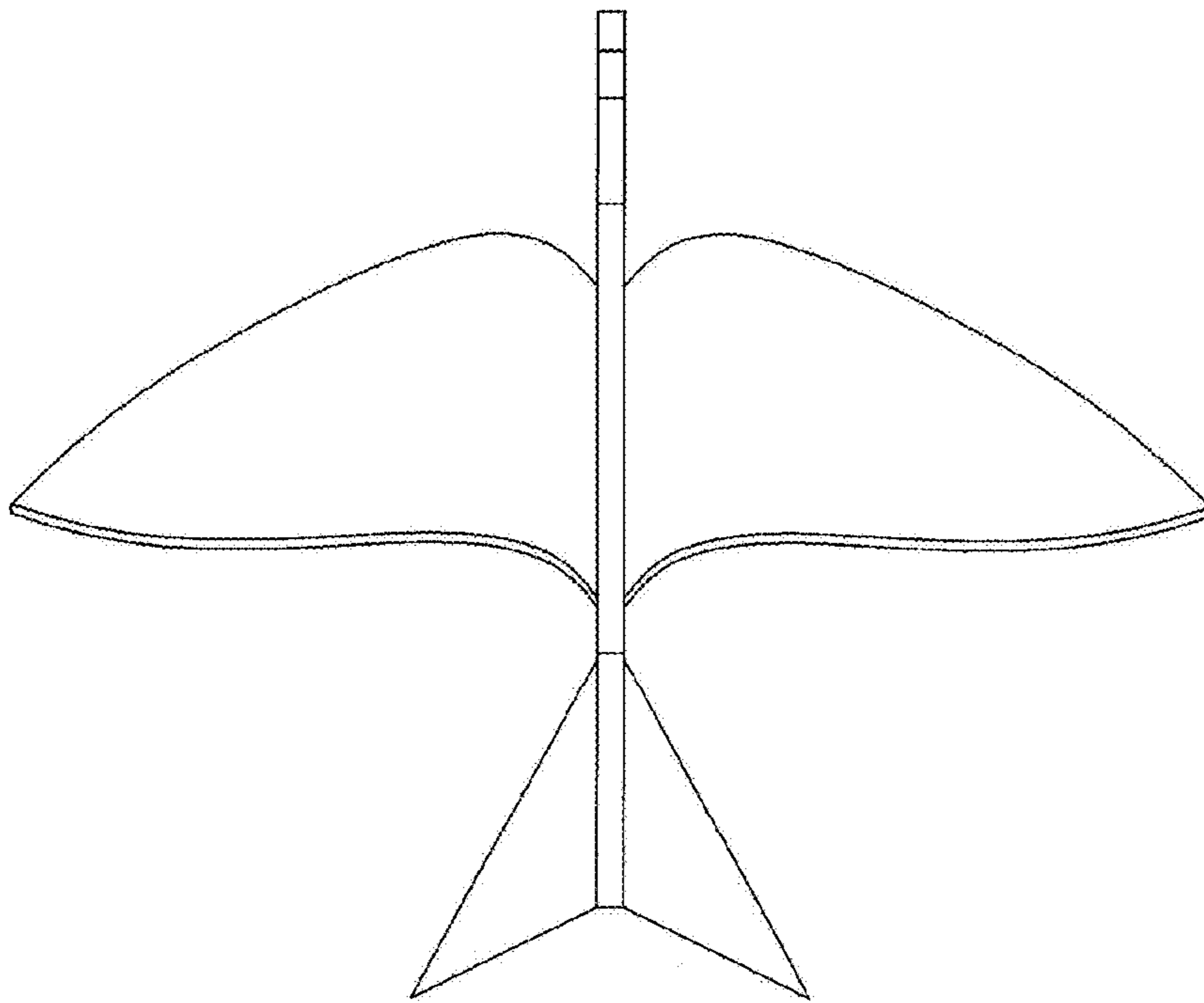


FIG. 8

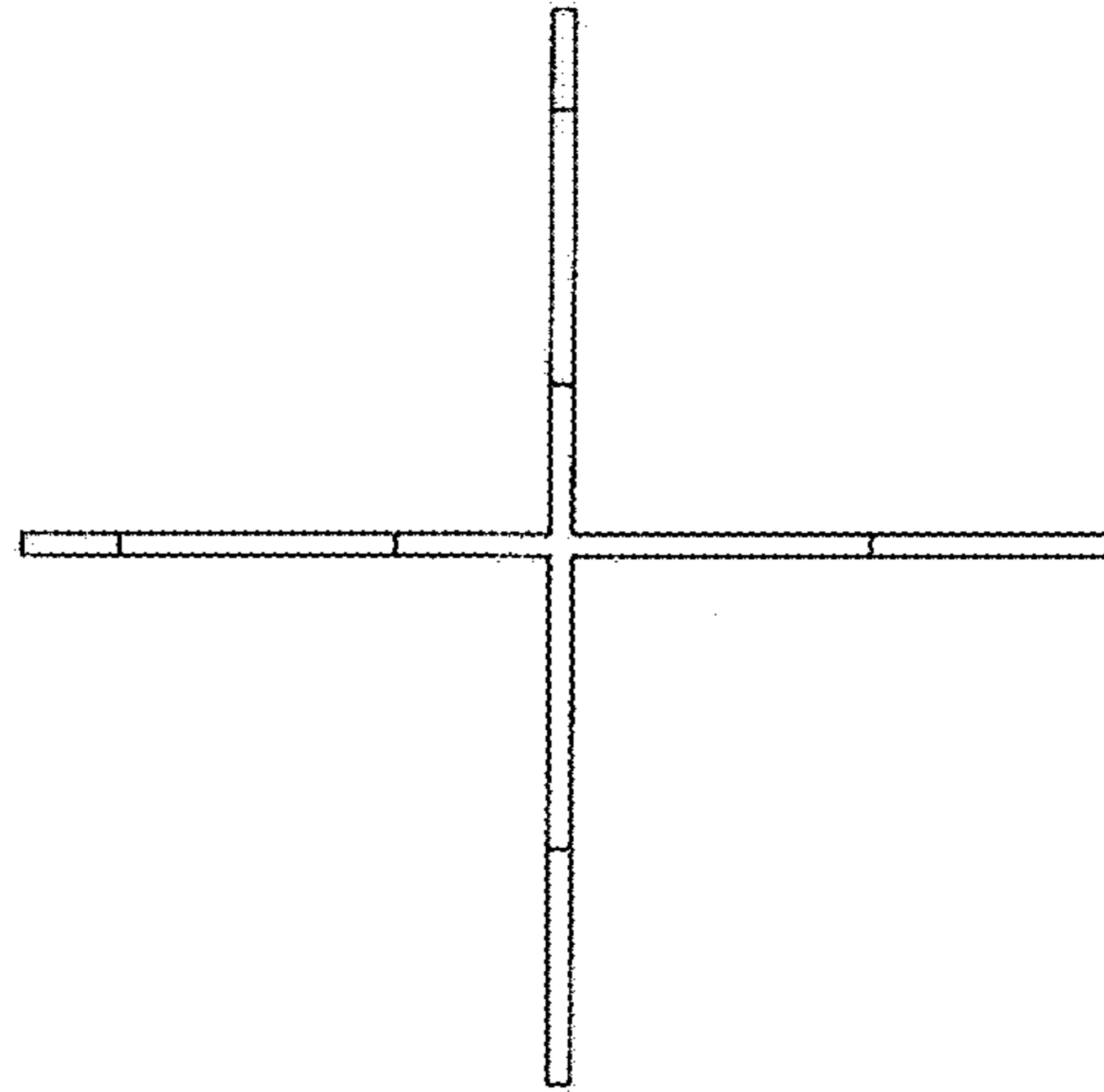


FIG. 9

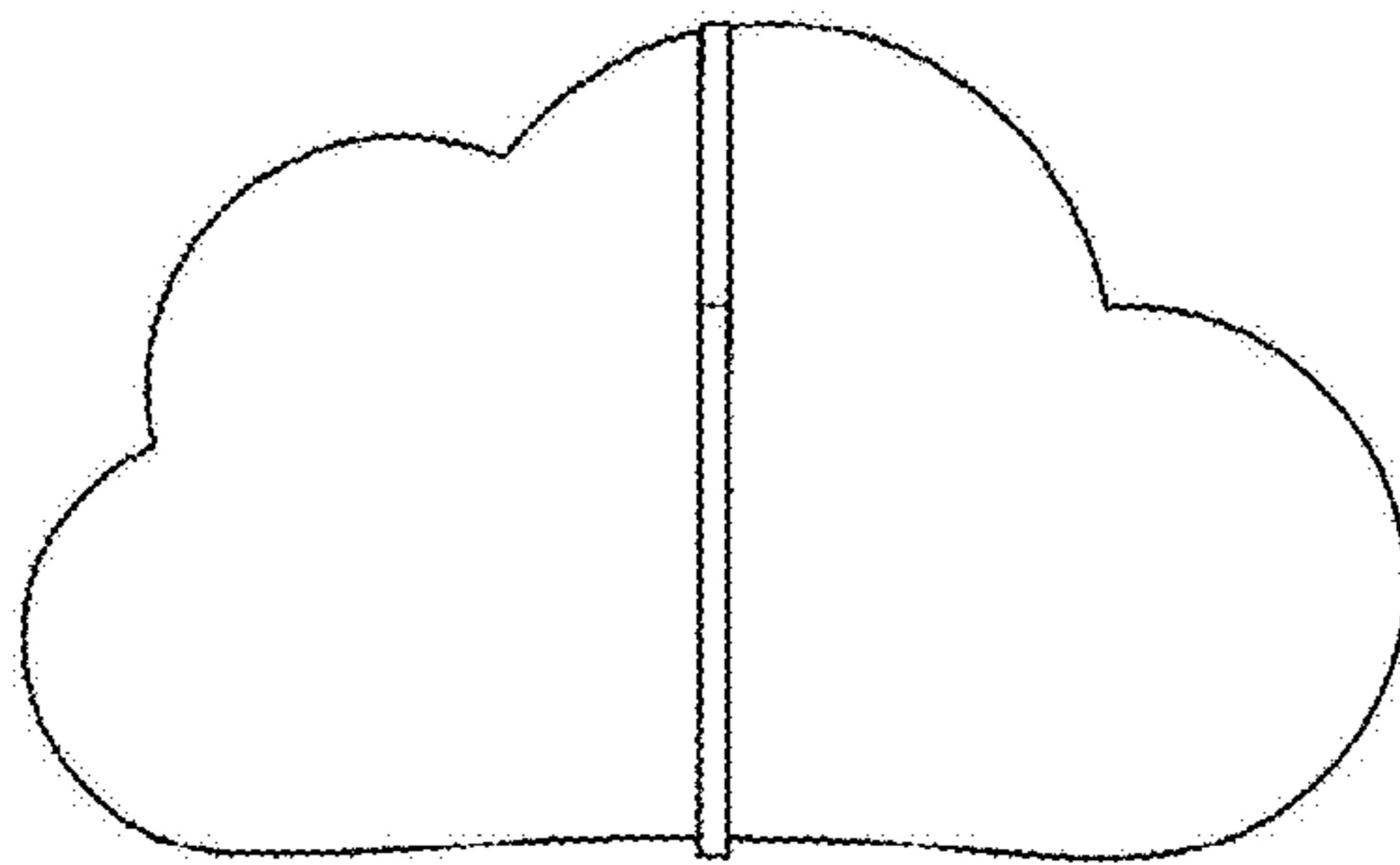


FIG. 10

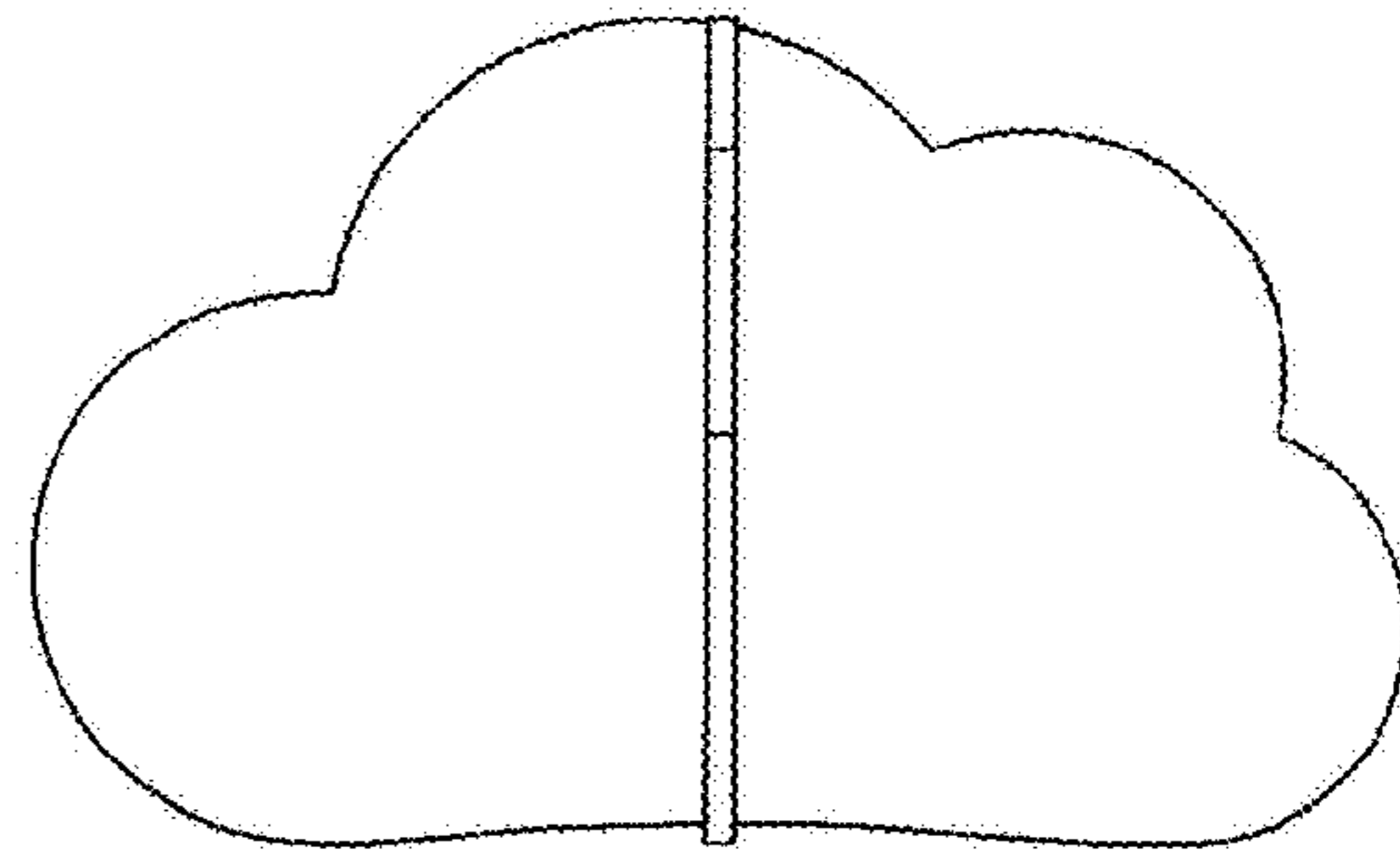


FIG. 11

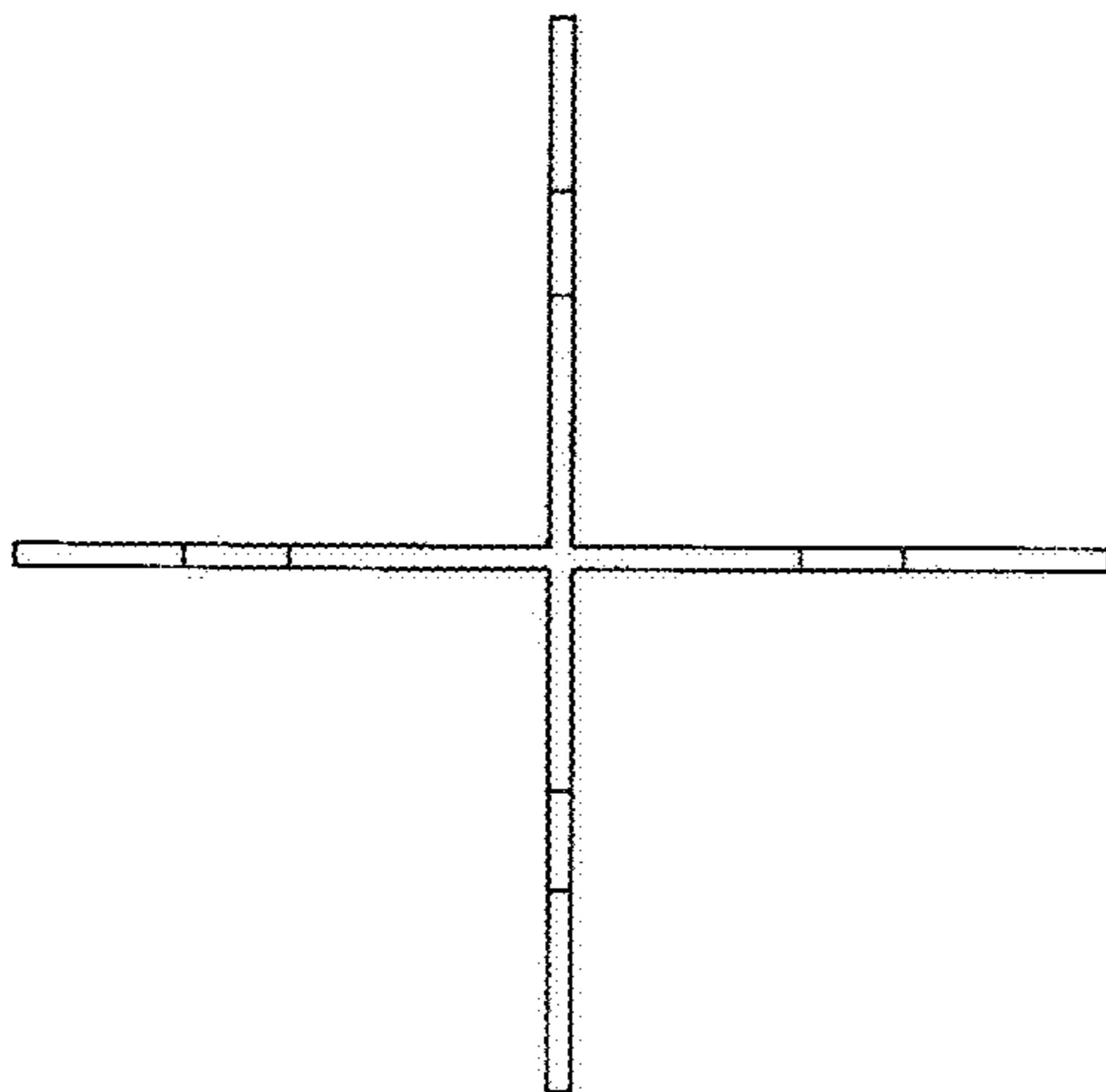


FIG. 12

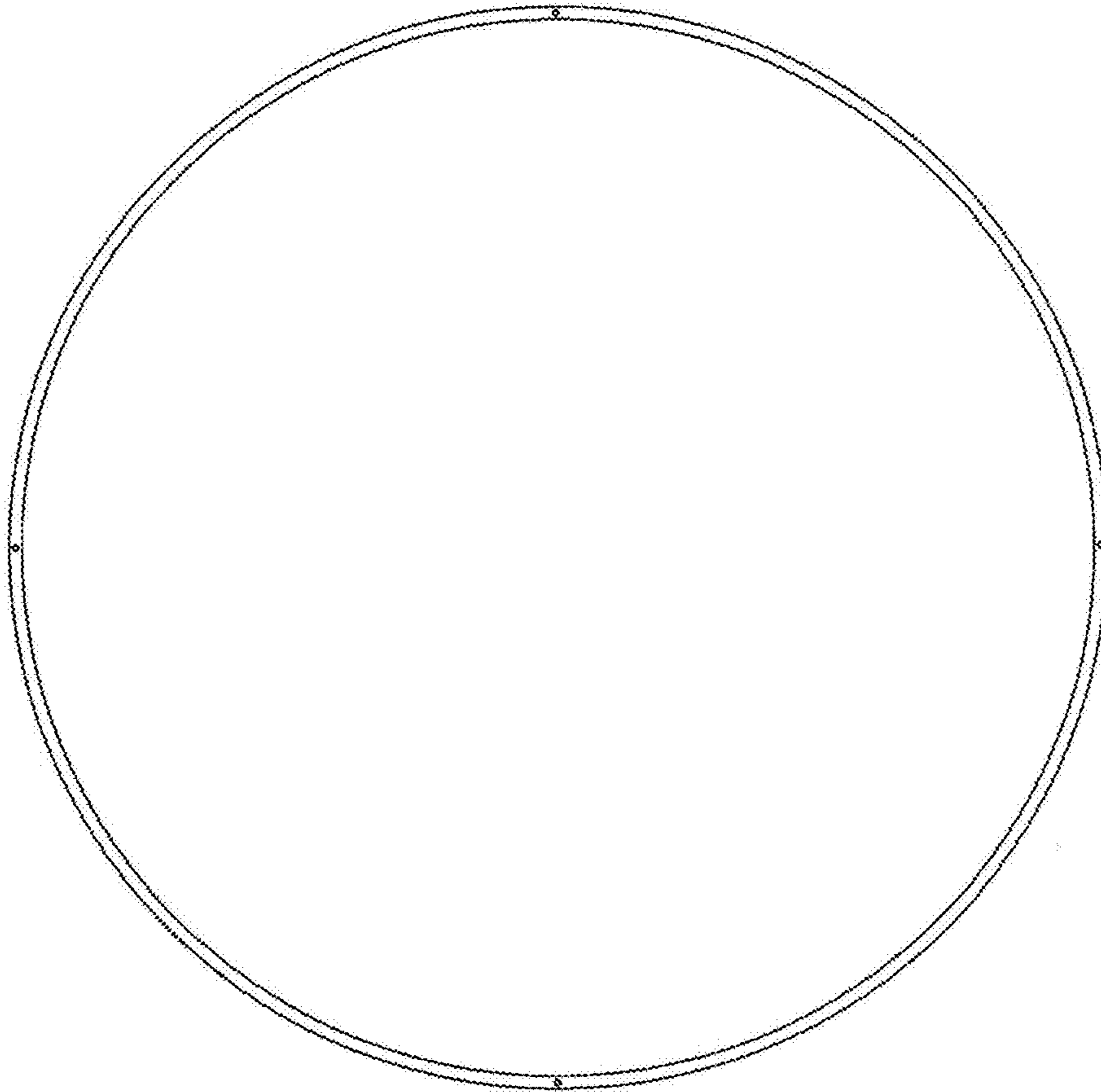


FIG. 13

