



US00D733602S

(12) **United States Design Patent**  
**Ikezu et al.**

(10) **Patent No.:** **US D733,602 S**  
(45) **Date of Patent:** **\*\* Jul. 7, 2015**

(54) **WATCH CASE**

(71) Applicant: **Casio Keisanki Kabushiki Kaisha,**  
Tokyo (JP)

(72) Inventors: **Hayato Ikezu,** Tachikawa (JP);  
**Takayasu Akagi,** Hino (JP)

(73) Assignee: **CASIO KEISANKI KABUSHIKI**  
**KAISHA,** Tokyo (JP)

(\*\*) Term: **14 Years**

(21) Appl. No.: **29/462,636**

(22) Filed: **Aug. 6, 2013**

(30) **Foreign Application Priority Data**

Mar. 29, 2013 (CN) ..... 2013 3 0089859

(51) **LOC (10) Cl.** ..... **10-07**

(52) **U.S. Cl.**  
USPC ..... **D10/128**

(58) **Field of Classification Search**  
USPC ..... D10/30-39, 1-29, 122-132  
CPC .... G04B 37/00; G04B 37/0008; G04B 45/00;  
G04B 45/0069; G04C 3/00; G04C 3/001;  
G04G 9/00; G04G 9/0064; G04G 17/00;  
G04G 17/08

See application file for complete search history.

(56) **References Cited**

**U.S. PATENT DOCUMENTS**

D339,749 S \* 9/1993 Ishizaka ..... D10/38  
D387,677 S \* 12/1997 Hanagata ..... D10/30

D391,497 S \* 3/1998 Kume et al. .... D10/30  
D394,404 S \* 5/1998 Ishizaka et al. .... D10/38  
D394,610 S \* 5/1998 Ishizaka et al. .... D10/30  
D399,433 S \* 10/1998 Bruce et al. .... D10/30  
D400,805 S \* 11/1998 Hanagata ..... D10/38  
D412,854 S \* 8/1999 Oshita ..... D10/30  
D415,041 S \* 10/1999 Goto et al. .... D10/30  
D418,429 S \* 1/2000 Goto ..... D10/30  
D430,808 S \* 9/2000 Hanagata ..... D10/30  
D434,988 S \* 12/2000 Kojima ..... D10/30  
D450,603 S \* 11/2001 Rantala ..... D10/38  
D450,849 S \* 11/2001 Rantala ..... D24/165  
D685,666 S \* 7/2013 Nakai ..... D10/131

\* cited by examiner

*Primary Examiner* — Martie K Holtje

(74) *Attorney, Agent, or Firm* — Holtz, Holtz, Goodman & Chick PC

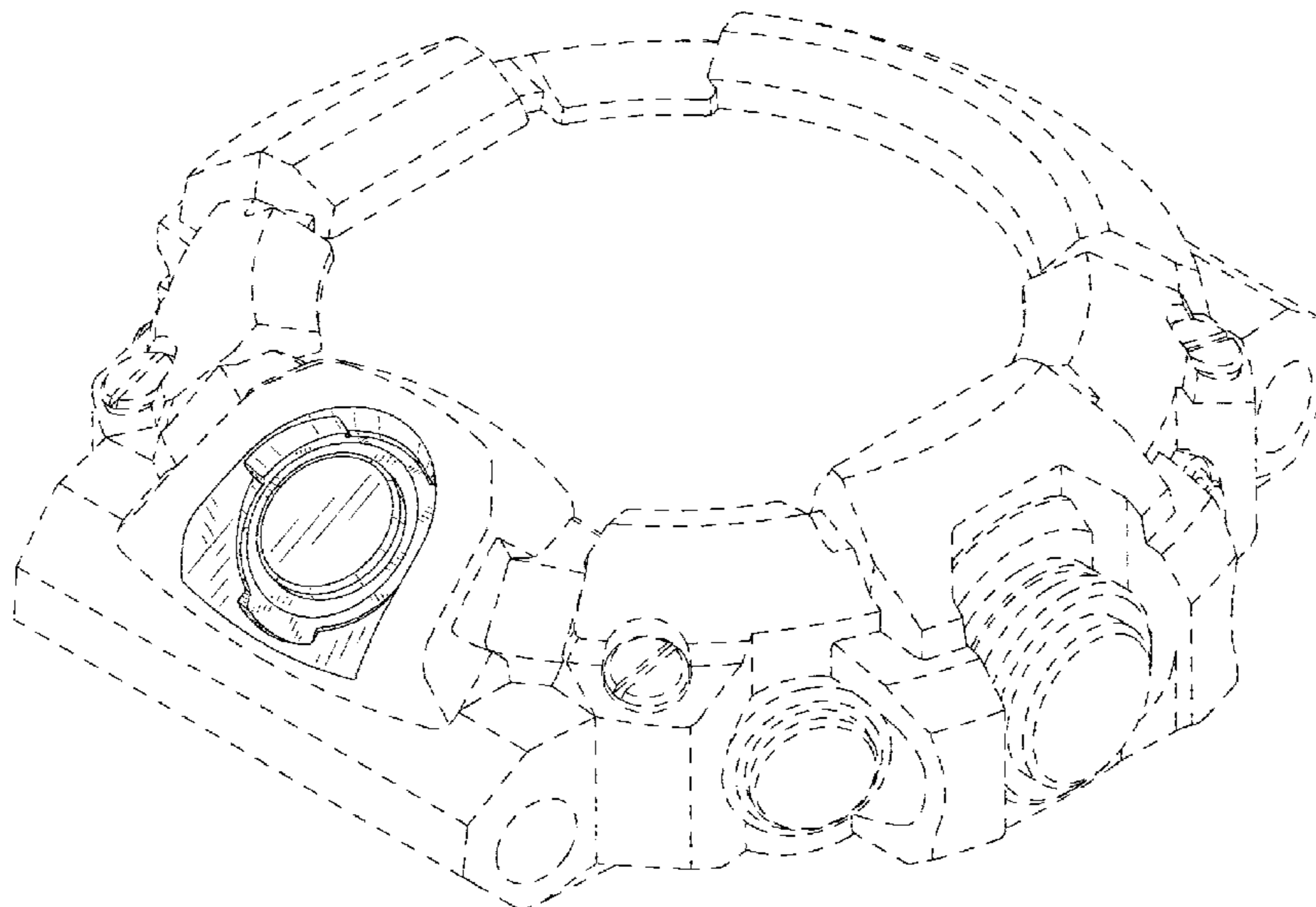
(57) **CLAIM**

The ornamental design for a watch case, as shown and described.

**DESCRIPTION**

FIG. 1 is a front, right side, bottom perspective view of a watch case showing our new design;  
FIG. 2 is a front elevational view thereof;  
FIG. 3 is a rear elevational view thereof;  
FIG. 4 is a left side view thereof;  
FIG. 5 is a right side view thereof;  
FIG. 6 is a top plan view thereof; and,  
FIG. 7 is a bottom plan view thereof.  
The structural features depicted by broken lines have been shown for the purpose of illustrating portions of the watch case that form no part of the claimed design.

**1 Claim, 6 Drawing Sheets**



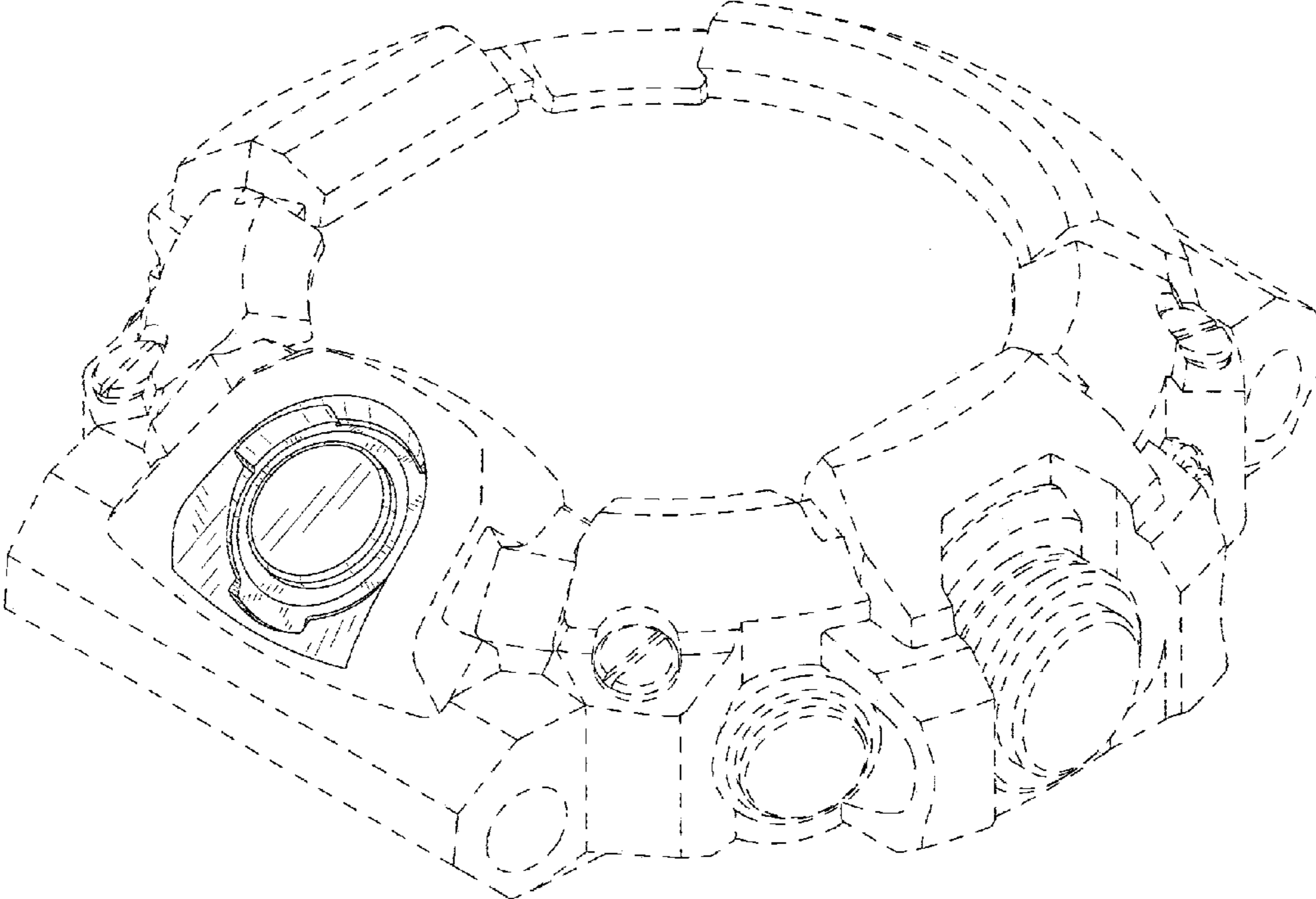


FIG. 1

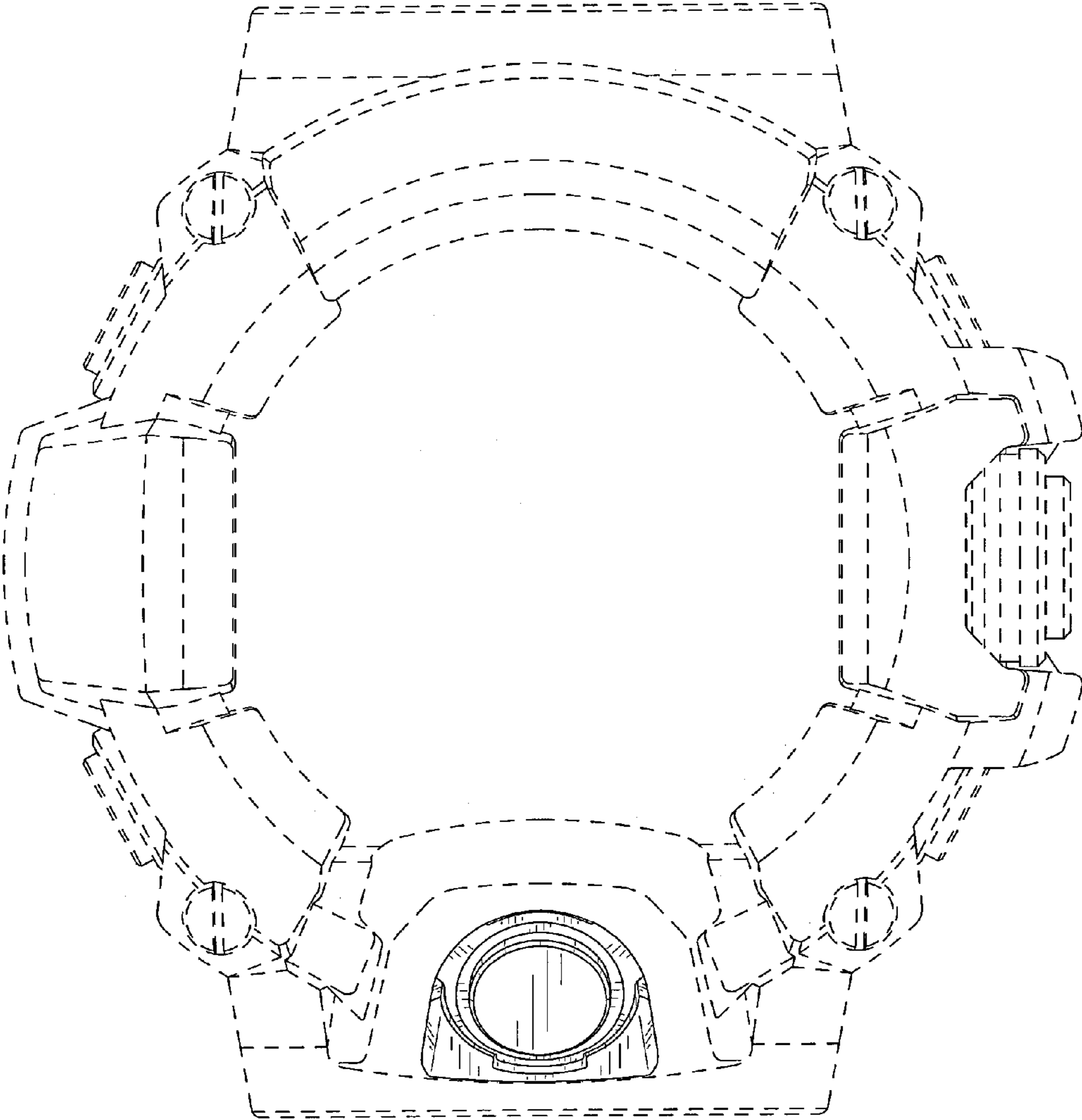


FIG. 2

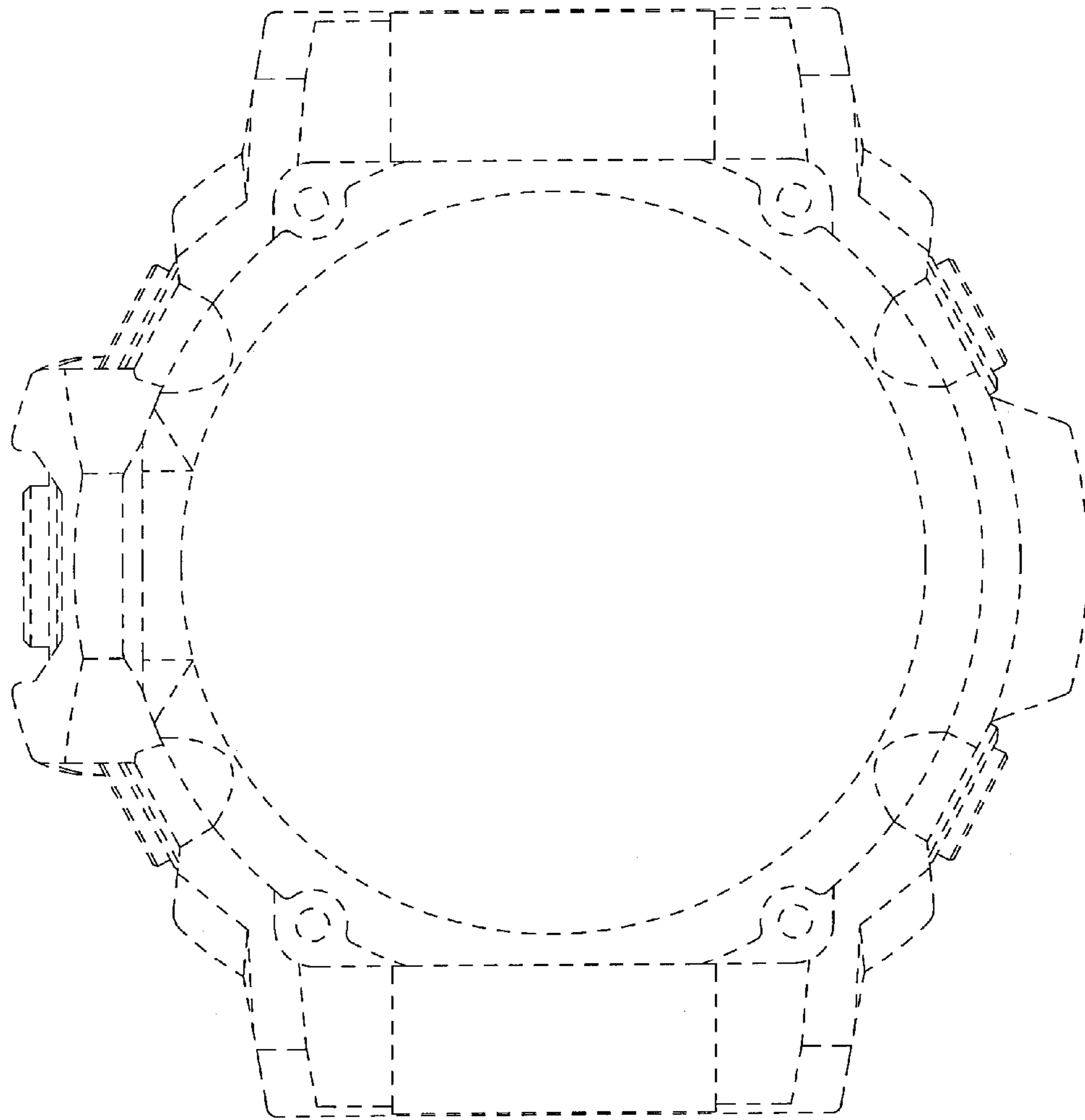


FIG. 3

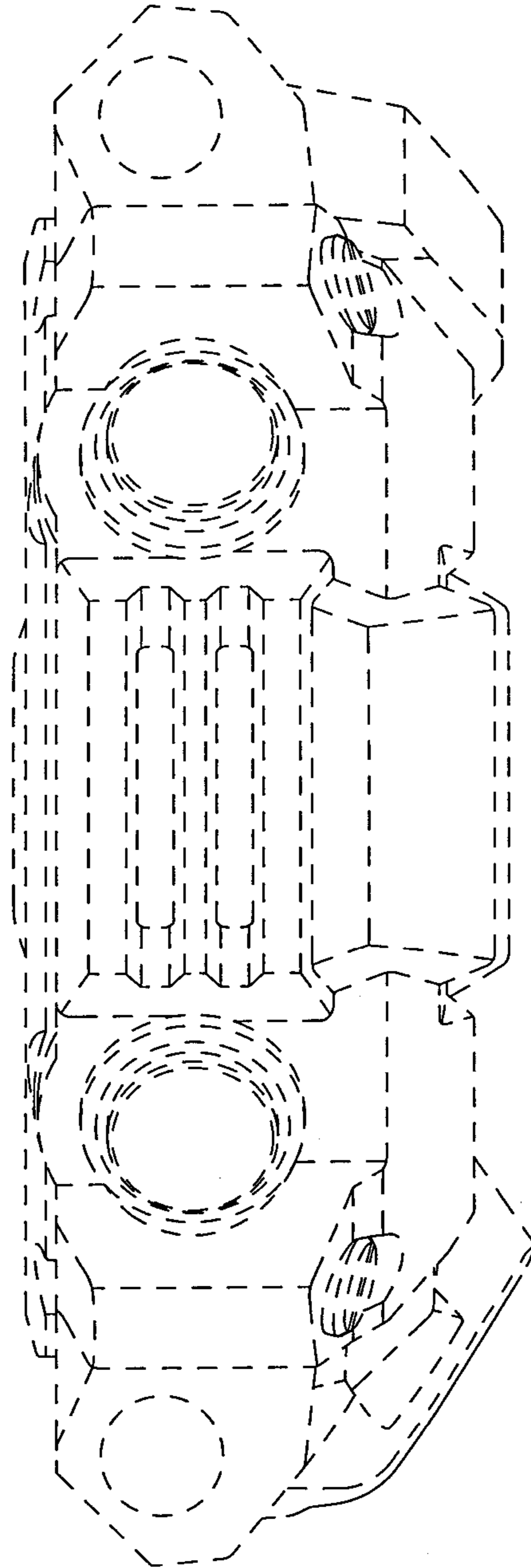


FIG. 4

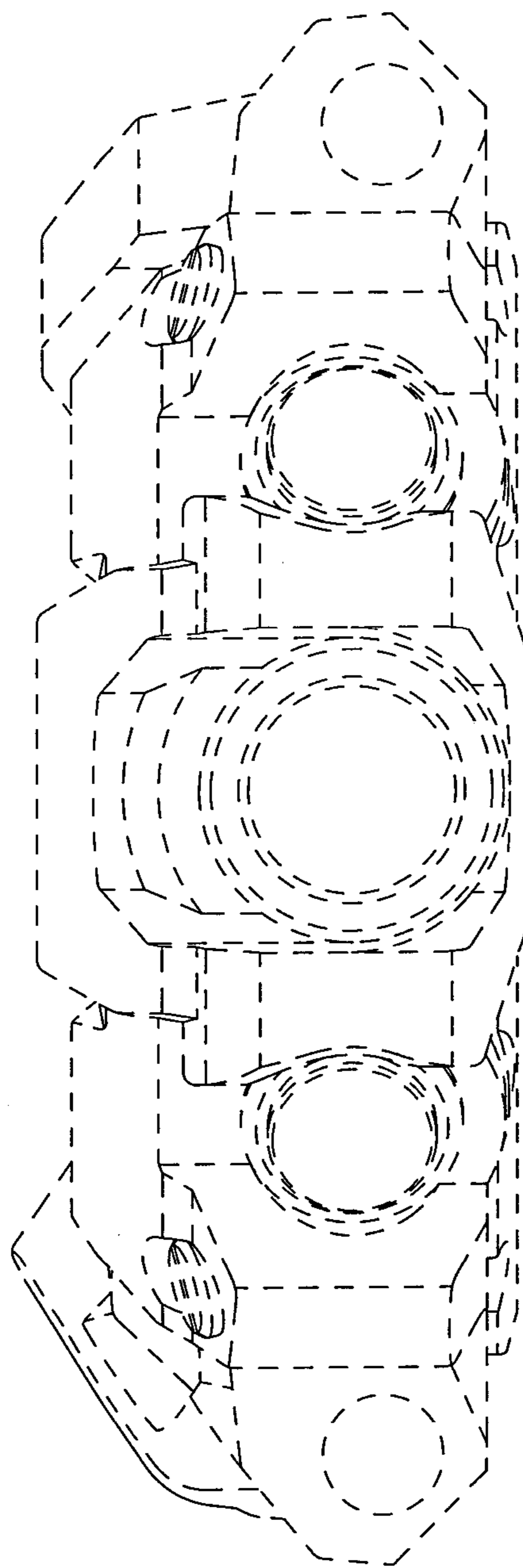


FIG. 5

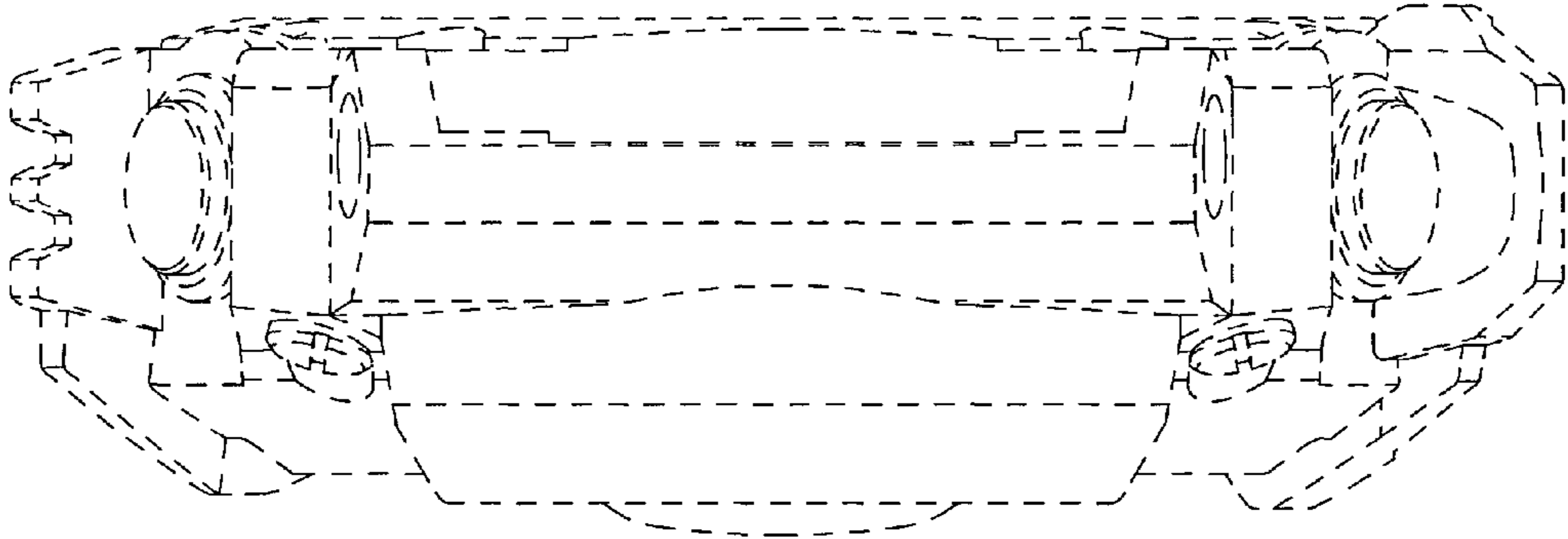


FIG. 6

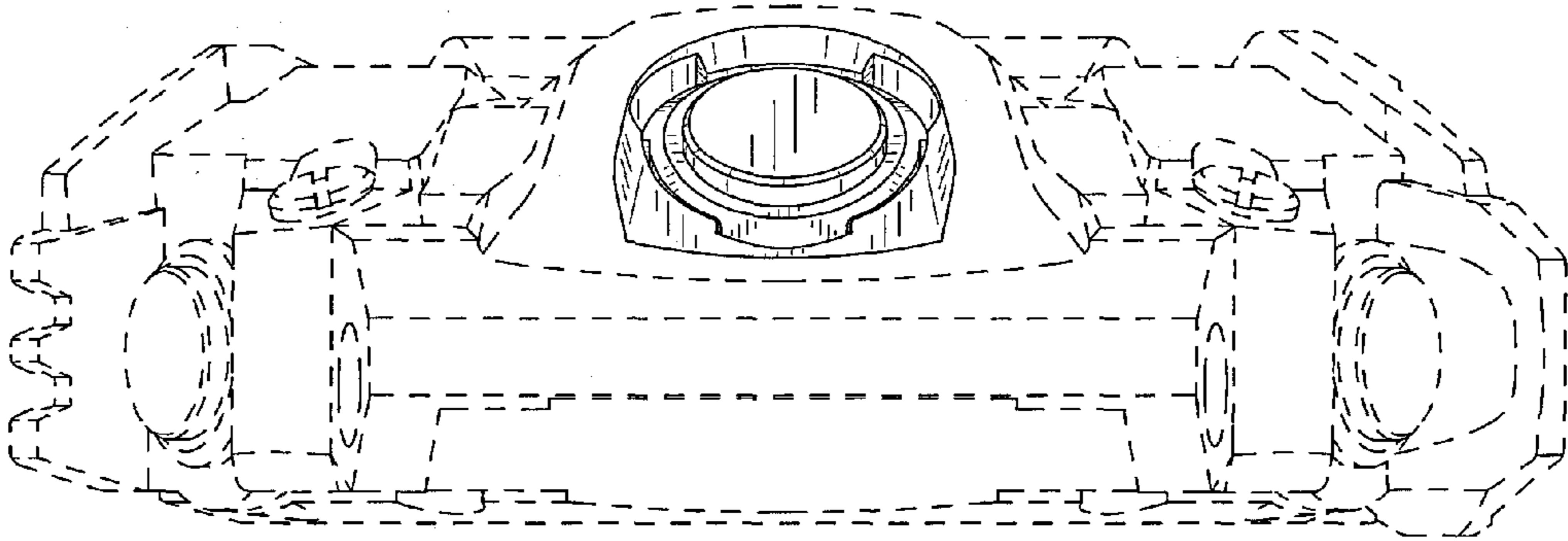


FIG. 7