



US00D733601S

(12) **United States Design Patent**
Solow

(10) **Patent No.:** **US D733,601 S**
(45) **Date of Patent:** **** Jul. 7, 2015**

(54) **HORN COVER**

(71) Applicant: **Stanley Solow**, Plainview, NY (US)

(72) Inventor: **Stanley Solow**, Plainview, NY (US)

(73) Assignee: **WOLO MFG. CORP.**, Deer Park, NY (US)

(**) Term: **14 Years**

(21) Appl. No.: **29/482,629**

(22) Filed: **Feb. 20, 2014**

(51) **LOC (10) CI.** **10-06**

(52) **U.S. CI.**
USPC **D10/121**

(58) **Field of Classification Search**

USPC D26/9, 10, 12, 13, 15, 16, 24, 51, 61,
D26/72, 76, 80, 81, 85, 86, 88, 90, 113, 118,
D26/119, 120, 122, 128, 129, 138, 143,
D26/144; D13/180; D10/18, 21, 24, 25, 27,
D10/28, 46, 93, 104.1, 113, 114, 116.1;
D17/99

CPC B60Q 1/04; B60Q 1/26; F21S 8/026;
F21S 8/04; F21V 29/004; F21V 21/02;
F21V 21/04; F21V 29/2212; F21Y 2101/02

See application file for complete search history.

(56) **References Cited**

U.S. PATENT DOCUMENTS

D271,949 S	*	12/1983	DeChristopher	D10/106.2
D313,570 S	*	1/1991	Lomas	D10/118
D324,000 S	*	2/1992	Kvistad	D10/118
D340,941 S	*	11/1993	Smith	D17/99
D340,942 S	*	11/1993	Smith	D17/99
D349,662 S	*	8/1994	Butcher et al.	D10/104.1
D353,548 S	*	12/1994	Witzke	D10/106.1
D370,862 S	*	6/1996	John-Hurlow	D10/106.1
D377,460 S	*	1/1997	Nelson et al.	D10/106.5

(Continued)

OTHER PUBLICATIONS

Hydro-test Centrifugal pump impeller and housing—TinEye, image post date Dec. 7, 2014, site visited May 22, 2015, (online), <<https://www.tineye.com/search/2c16ec33924801c7fe74e777d8e82c78b6df8d6d/?pluginver=>>>.*

(Continued)

Primary Examiner — Kevin Rudzinski

Assistant Examiner — Sean D Lough

(74) *Attorney, Agent, or Firm* — Andrew F. Young, Esq.; Lackenbach Siegel, LLP

(57) **CLAIM**

The ornamental design for a horn cover, as shown and described.

DESCRIPTION

FIG. 1 is a front perspective view of a horn cover showing our new design.

FIG. 2 is a front elevation view of FIG. 1.

FIG. 3 is a left side elevation view of FIG. 1.

FIG. 4 is a right side elevation view of FIG. 1.

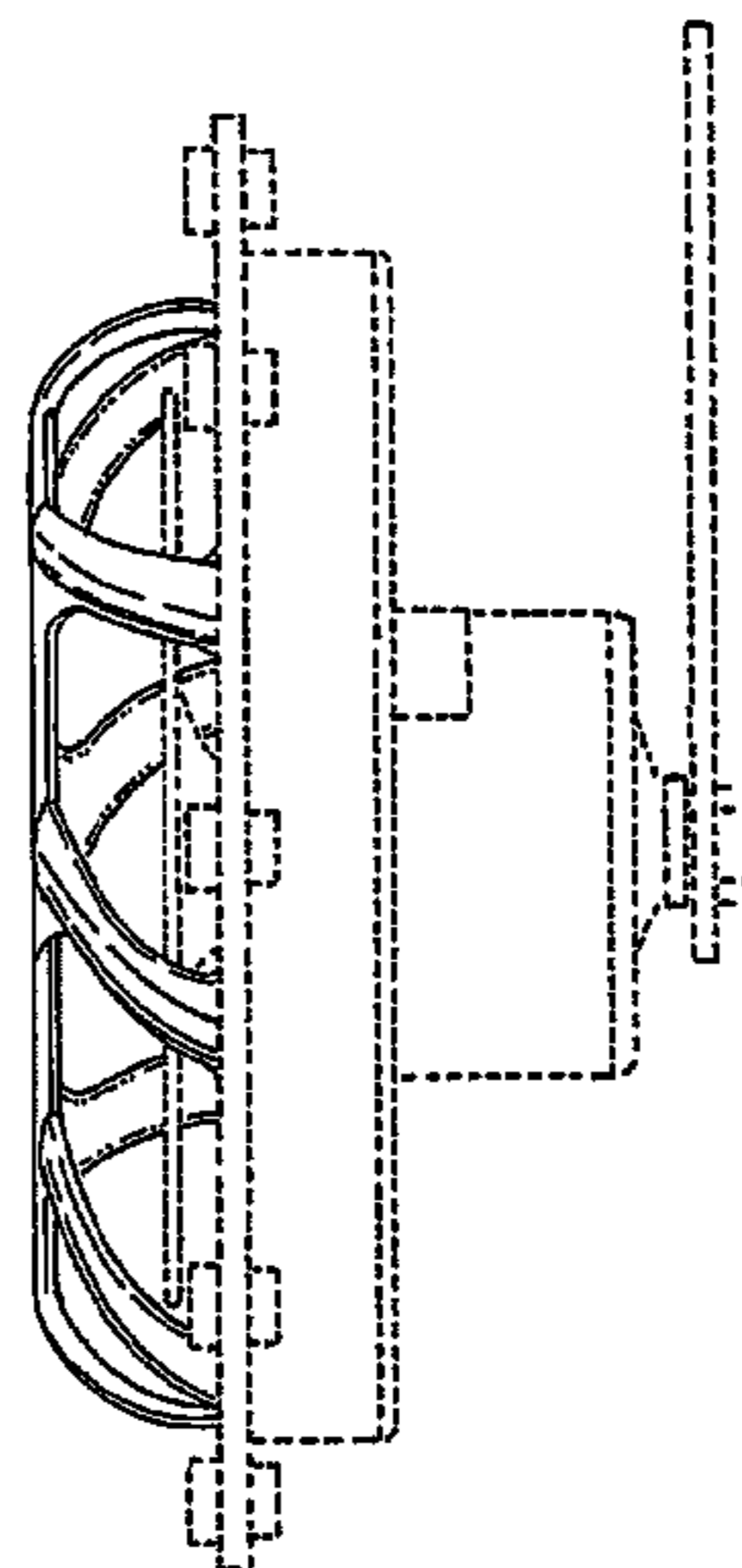
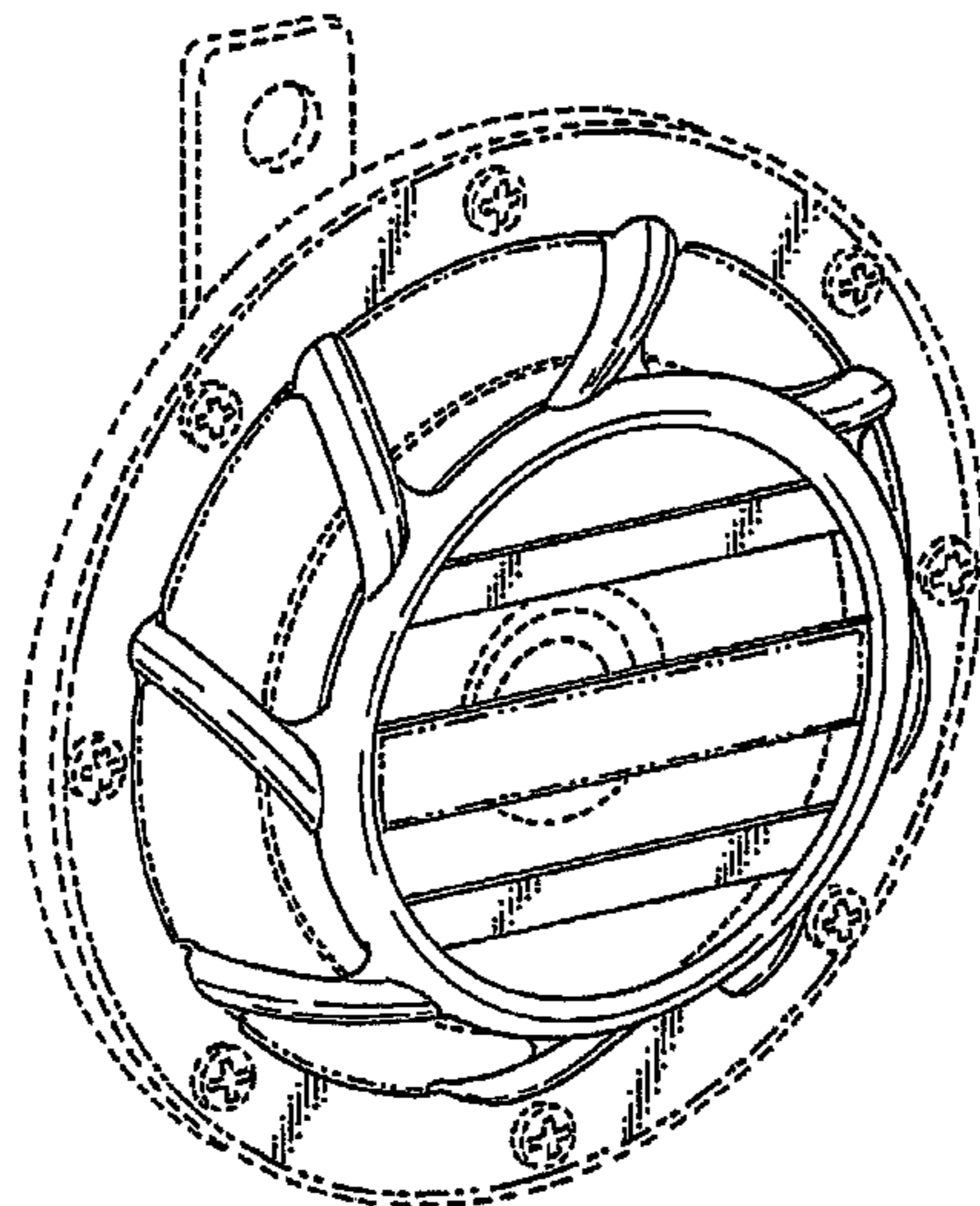
FIG. 5 is a top plan view of FIG. 1.

FIG. 6 is a bottom plan view of FIG. 1; and,

FIG. 7 is rear elevation of FIG. 1.

No claim is made to the rear portion of the horn cover, or the front central portion, as shown by the use of dot-dot-dashed lines as boundaries of the claimed design. No claim is made to the under-side surface of the horn cover, or screw heads, or other features which are all shown in broken lines. The portions shown in FIGS. 1-7 in dot-dot-dashed lines and broken lines, including front and rear portions and perimeter positions are shown to illustrate environment only, and form no part of the claimed design. It is noted that due to the claim boundaries depicted in FIGS. 1 and 2, there is no claimed matter shown in FIG. 7.

1 Claim, 5 Drawing Sheets



(56)

References Cited

U.S. PATENT DOCUMENTS

D390,488 S * 2/1998 Annan D10/106.4
 D391,185 S * 2/1998 Tomizawa D10/106.5
 D392,577 S * 3/1998 Pun D10/118
 D407,033 S * 3/1999 Fors D10/106.91
 D414,440 S * 9/1999 Ch D10/106.1
 D417,164 S * 11/1999 Sandoval et al. D10/106.4
 D417,410 S * 12/1999 De Tracy et al. D30/152
 D420,301 S * 2/2000 Henderson D10/104.1
 D423,389 S * 4/2000 Boyd D10/104.2
 D427,103 S * 6/2000 Bryant, Jr. D10/113.1
 D435,798 S * 1/2001 Aiello et al. D10/106.8
 6,203,173 B1 * 3/2001 Duff et al. 362/268
 D472,669 S * 4/2003 Homann D26/118
 D512,417 S * 12/2005 Hirakawa et al. D14/223
 D519,050 S * 4/2006 Lee D10/113.1
 D521,403 S * 5/2006 Shain et al. D10/121
 D535,578 S * 1/2007 Sinkfield D10/104.1
 D536,478 S * 2/2007 McMinn D26/118
 7,223,097 B2 * 5/2007 Perez 431/153
 D544,638 S * 6/2007 McMinn D26/118
 D549,915 S * 8/2007 Pastrana-Rangel D32/67
 D566,885 S * 4/2008 Mullen D26/123
 D568,195 S * 5/2008 Solow D10/120
 7,453,516 B2 * 11/2008 Husni et al. 348/373
 D583,502 S * 12/2008 Schuler D26/121

D595,893 S * 7/2009 Maxik et al. D26/113
 D597,704 S * 8/2009 Peng D26/118
 7,934,335 B2 * 5/2011 Halverson 42/137
 D643,024 S * 8/2011 Goodman et al. D14/227
 D645,372 S * 9/2011 Hall et al. D10/106.2
 D651,926 S * 1/2012 Akiyama et al. D10/106.5
 D653,578 S * 2/2012 Thalhammer D10/106.5
 D665,289 S * 8/2012 Thalhammer D10/106.5
 D675,130 S * 1/2013 Senn D12/42
 D688,737 S * 8/2013 Tatsumi D17/22
 D691,874 S * 10/2013 Ganski D8/356
 D695,143 S * 12/2013 Solow D10/121
 D718,376 S * 11/2014 Laukat et al. D17/13
 D718,874 S * 12/2014 Koren D24/232
 D719,013 S * 12/2014 St. John et al. D8/356
 D720,390 S * 12/2014 Hudson D17/22
 D726,247 S * 4/2015 Inagaki D17/22

OTHER PUBLICATIONS

Battistini Wire Frame Horn Cover, image post date 1992, site visited May 27, 2015, (online), <<http://www.revzilla.com/motorcycle/battistini-wire-frame-horn-cover-for-harley-big-twin-1992-2015>>.*

Chrome Horn Cover for Harley Sportster, image post date 2008, site visited May 27, 2015, (online), <<http://www.sportsterspecialty.com/chrome-horn-cover-for-sportster-models.html>>.*

* cited by examiner

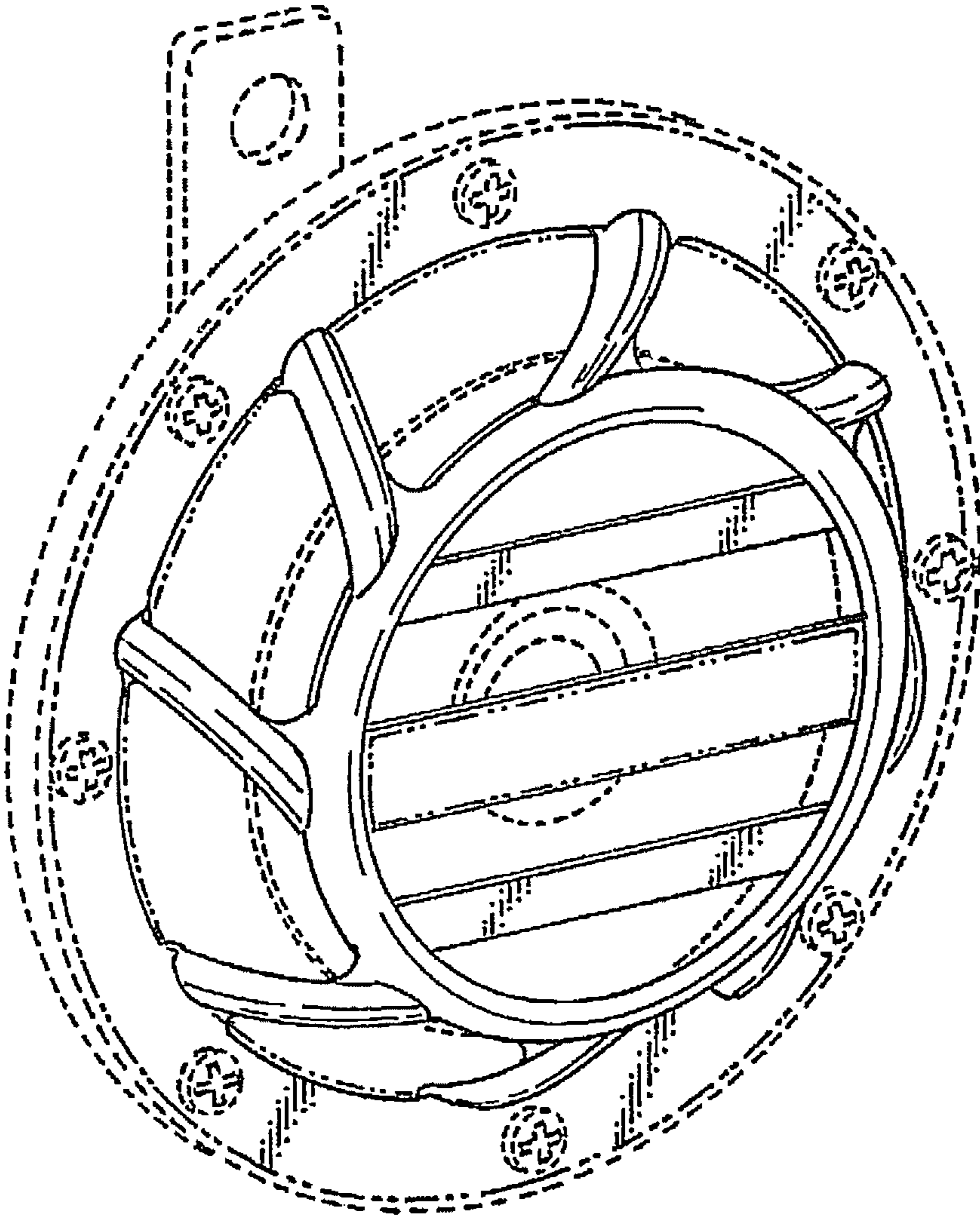


Fig. 1

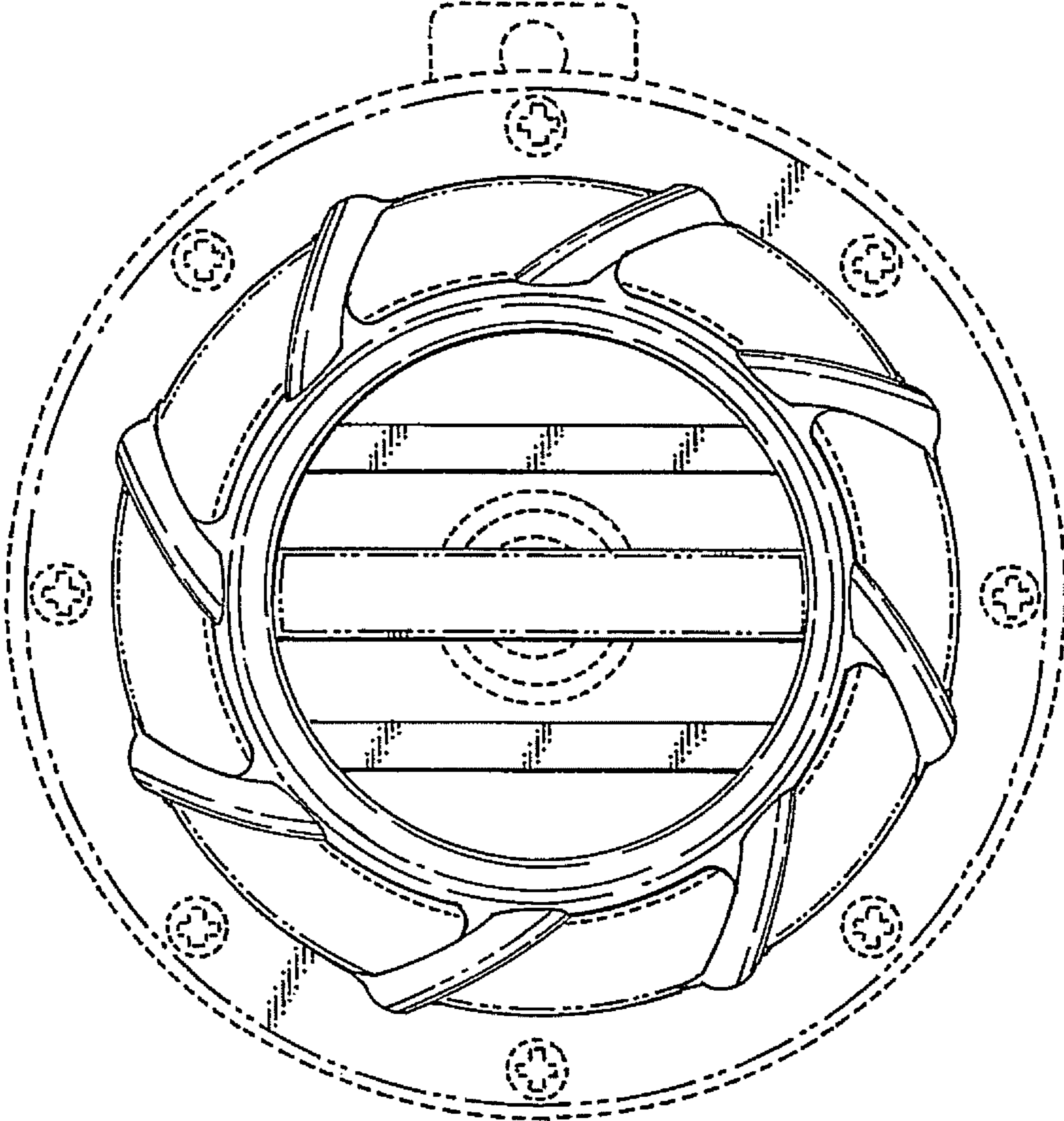


Fig. 2

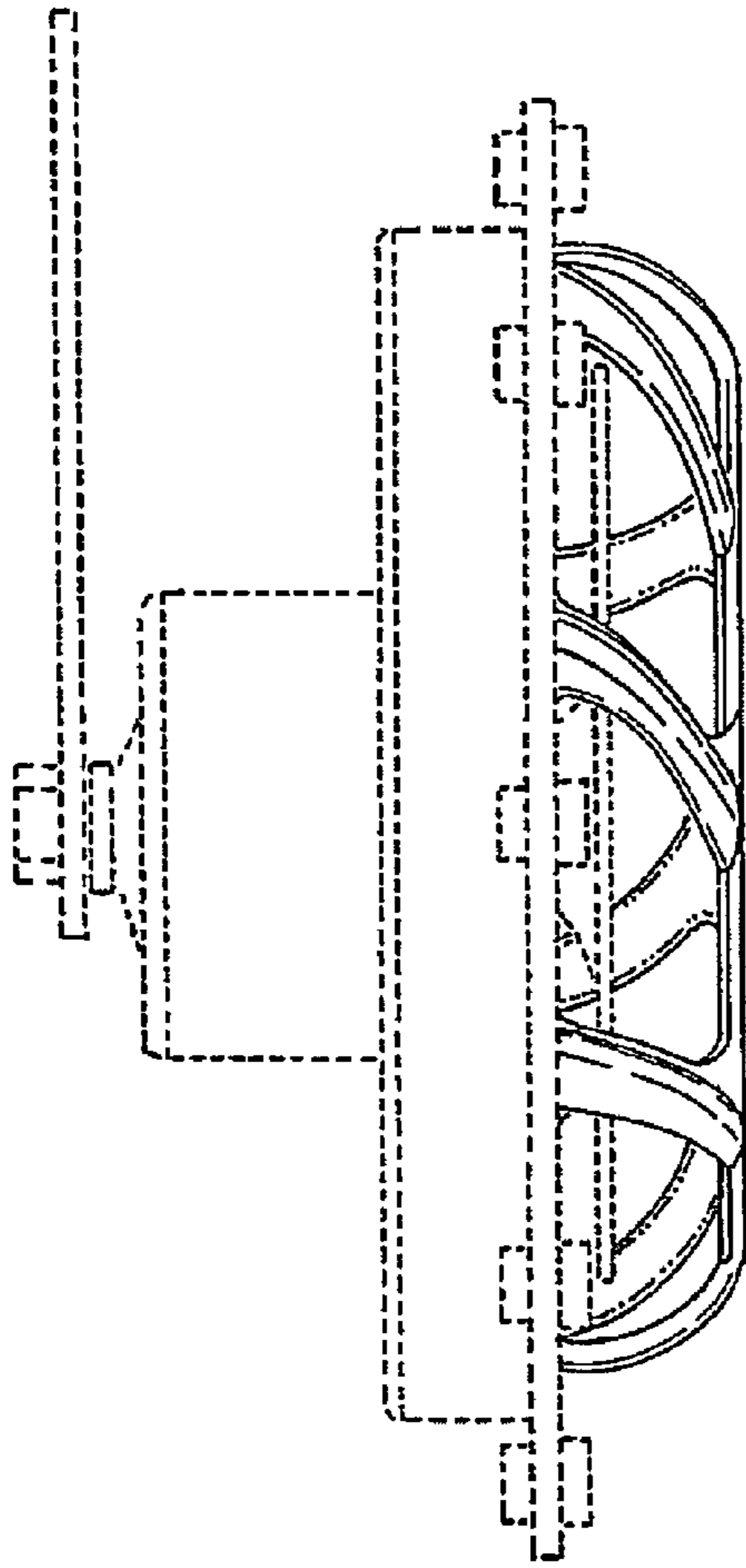


Fig. 3

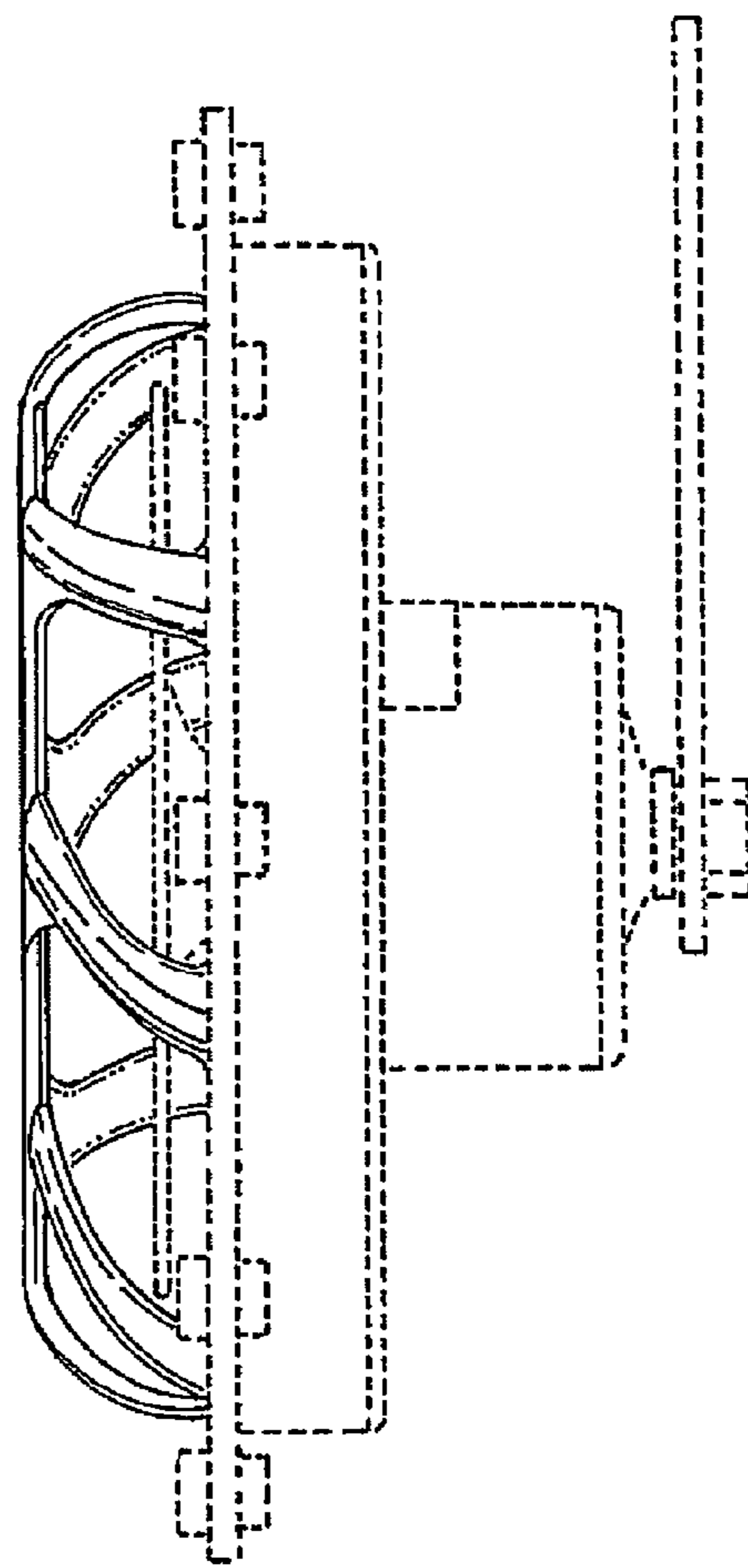


Fig. 4

Fig. 5

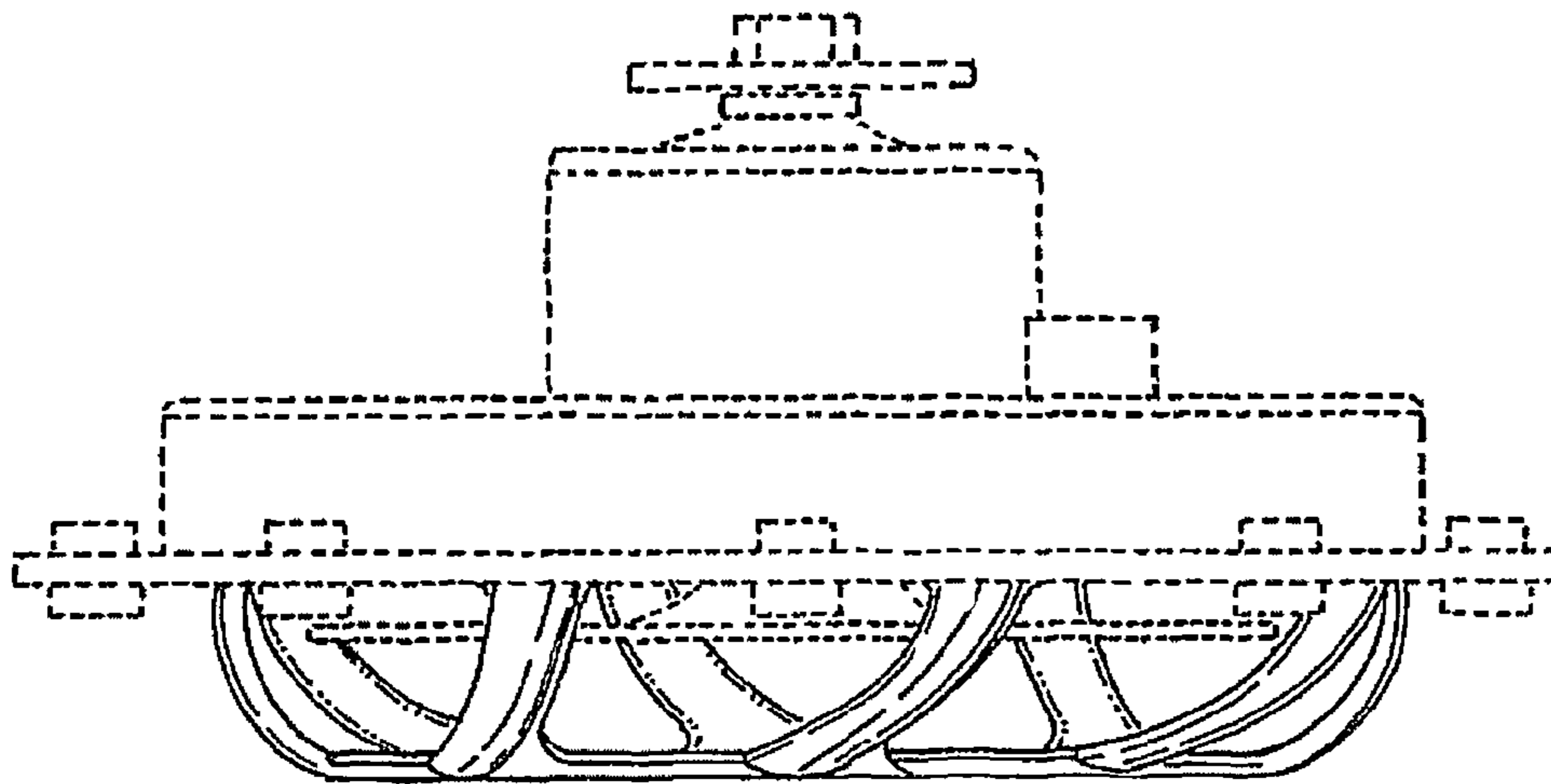
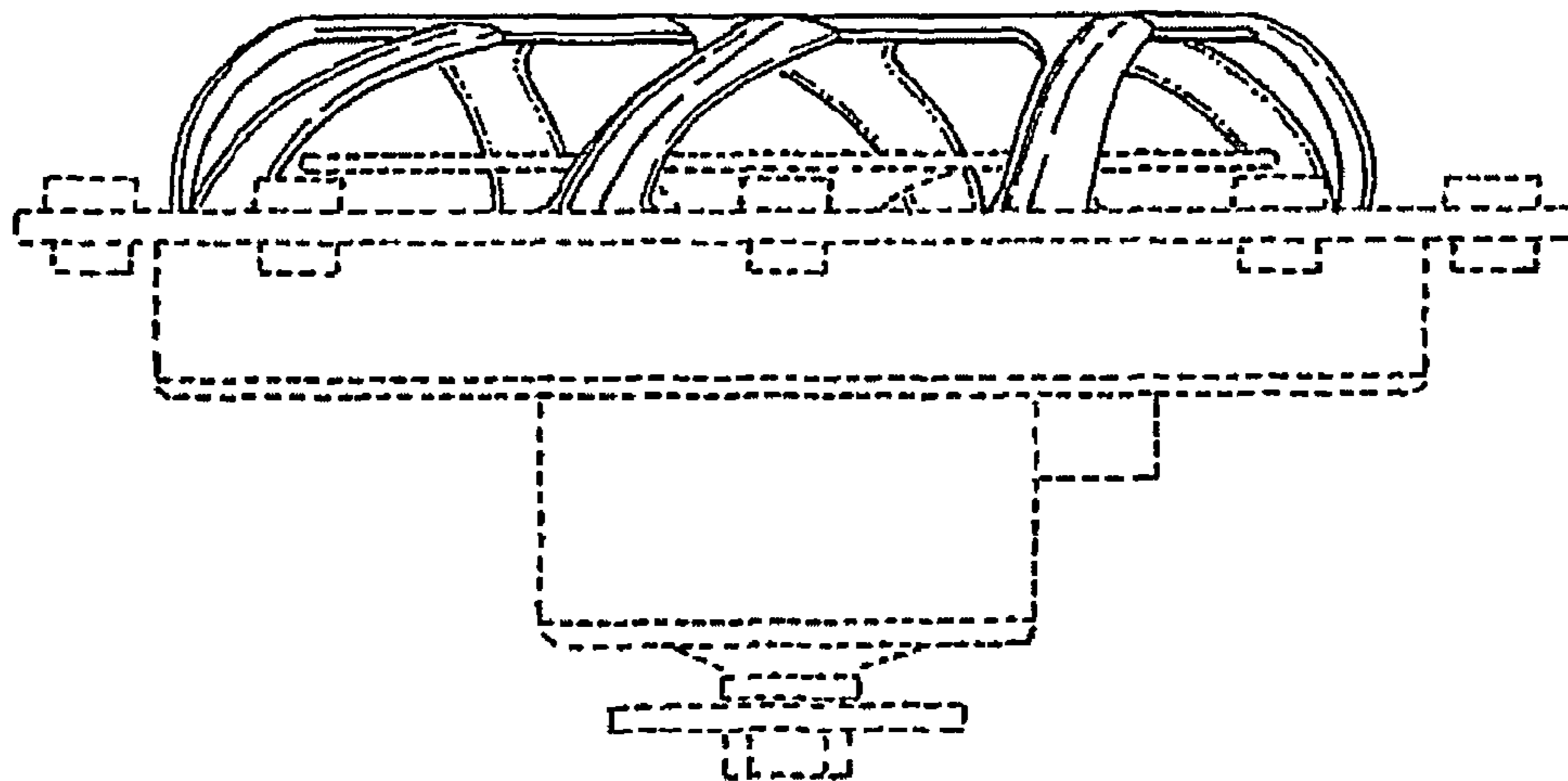


Fig. 6



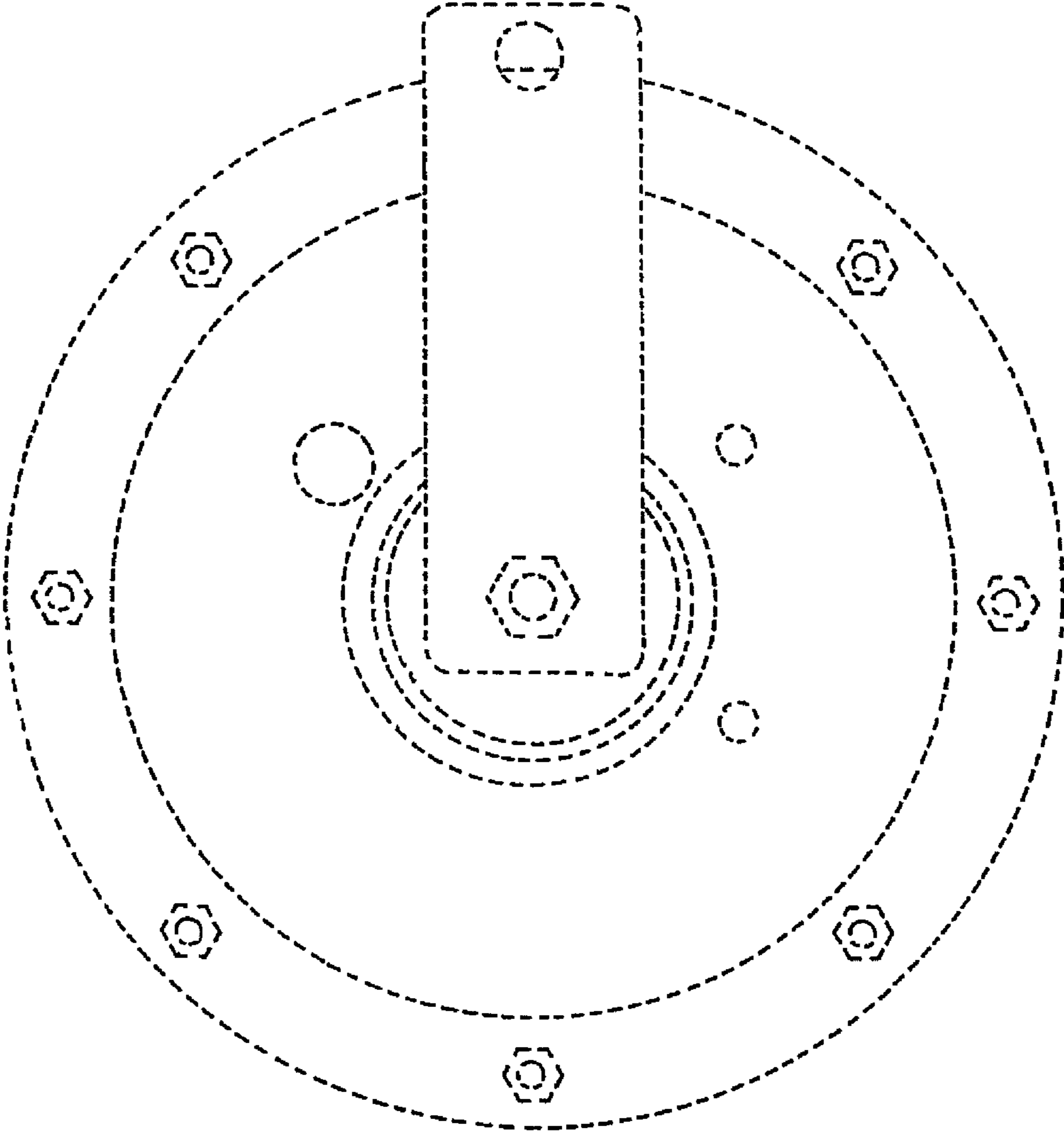


Fig. 7