



US00D733600S

(12) **United States Design Patent**
Vasudeva

(10) **Patent No.:** **US D733,600 S**
(45) **Date of Patent:** **** Jul. 7, 2015**

- (54) **OXYGEN SENSOR BOSS**
- (71) Applicant: **Kailash C. Vasudeva**, Waterloo (CA)
- (72) Inventor: **Kailash C. Vasudeva**, Waterloo (CA)
- (**) Term: **14 Years**
- (21) Appl. No.: **29/500,193**
- (22) Filed: **Aug. 22, 2014**
- (51) **LOC (10) Cl.** **10-04**
- (52) **U.S. Cl.**
USPC **D10/81; D10/103**
- (58) **Field of Classification Search**
USPC D10/46, 81, 102; 138/89-90, 104
CPC . G01N 33/22; G01N 27/409; G01N 27/4077;
G01N 27/4074; G01N 27/4062; G01N
27/4071; G01N 24/407; G01N 27/4078;
G01M 3/40; F16L 55/07; F16L 55/1108;
F16L 55/1152; F16L 55/1141; F16B 25/0021;
F16B 33/004
See application file for complete search history.

5,547,042 A *	8/1996	Platt	184/1.5
6,062,263 A *	5/2000	Donovan et al.	138/89
2008/0029176 A1 *	2/2008	Horan	138/89
2014/0069542 A1 *	3/2014	Graham et al.	138/104

* cited by examiner

Primary Examiner — Antoine D Davis

(57) **CLAIM**

The ornamental design for an oxygen sensor boss, as shown and described.

DESCRIPTION

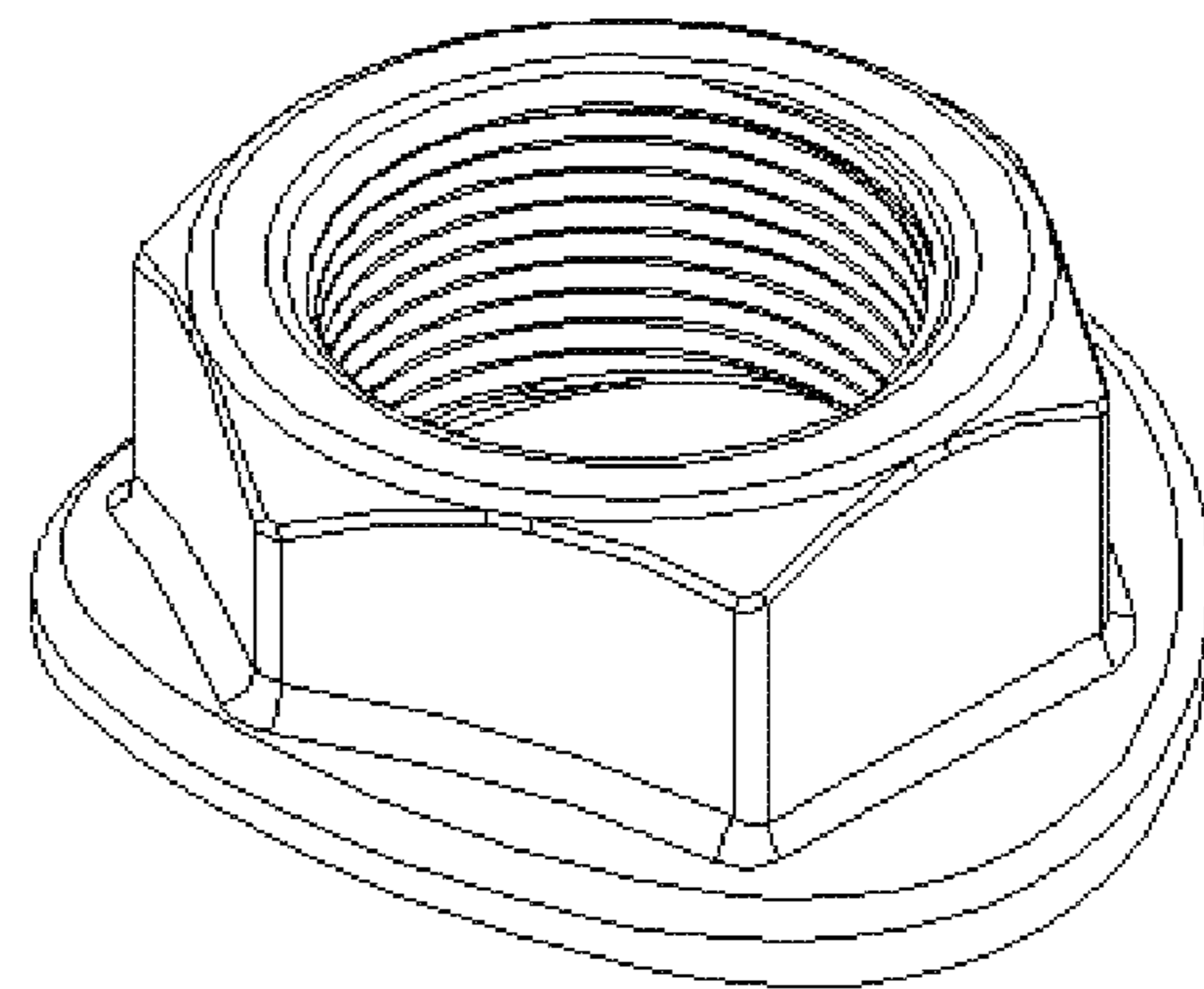
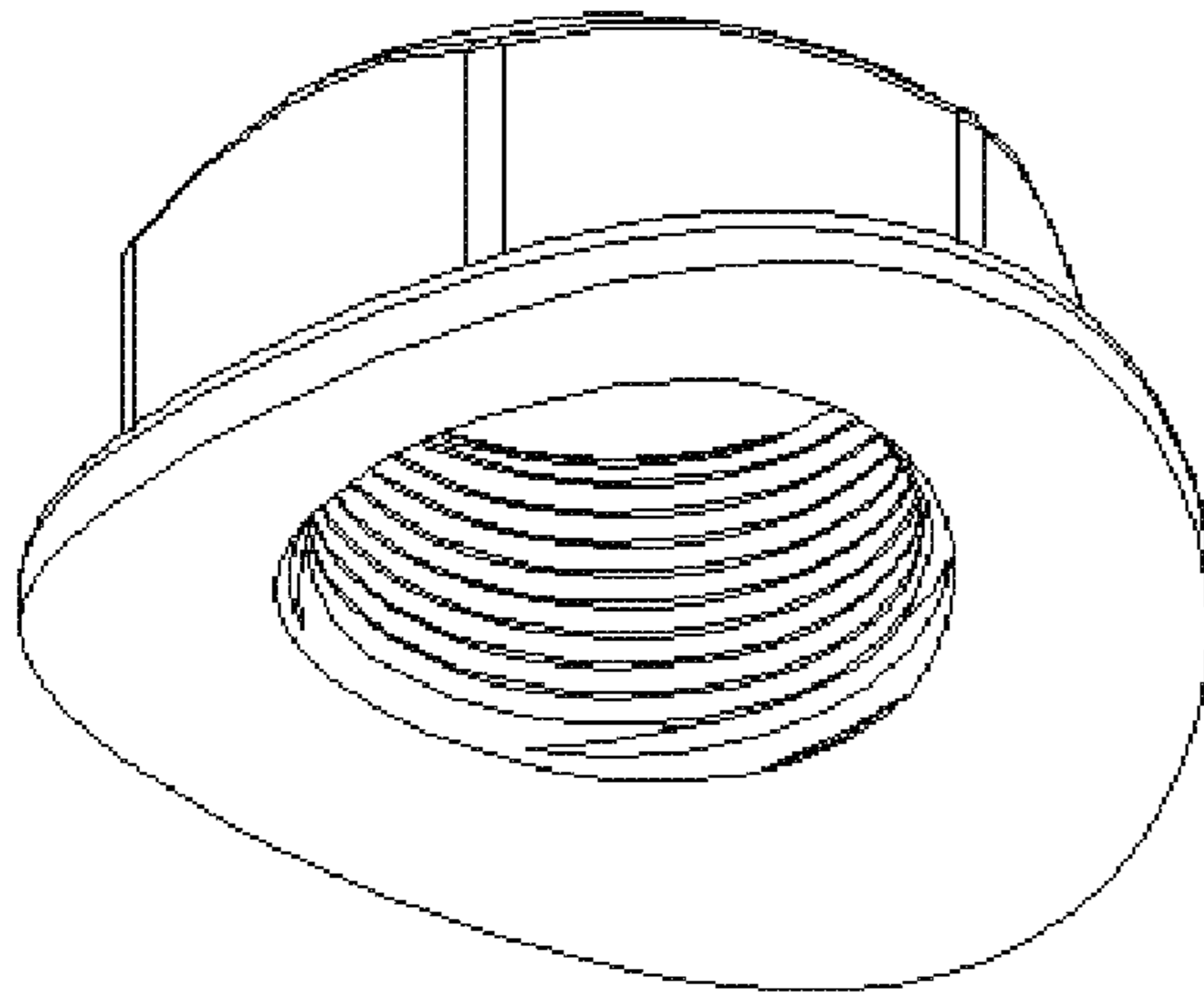
FIG. 1 is a top plan view of the first embodiment of oxygen sensor boss according to my design;
 FIG. 2 is a bottom plan view thereof;
 FIG. 3 is a front elevation view thereof, back elevation view is identical;
 FIG. 4 is a right side elevation view thereof, and the left side elevation view is identical;
 FIG. 5 is a bottom perspective view thereof;
 FIG. 6 is a top perspective view thereof; and,
 FIG. 7 is a bottom perspective view of a second embodiment of the design, wherein the only difference to first embodiment being in that a lip added at the bottom.

(56) **References Cited**

U.S. PATENT DOCUMENTS

D302,529 S * 8/1989 Grady D10/81

1 Claim, 4 Drawing Sheets



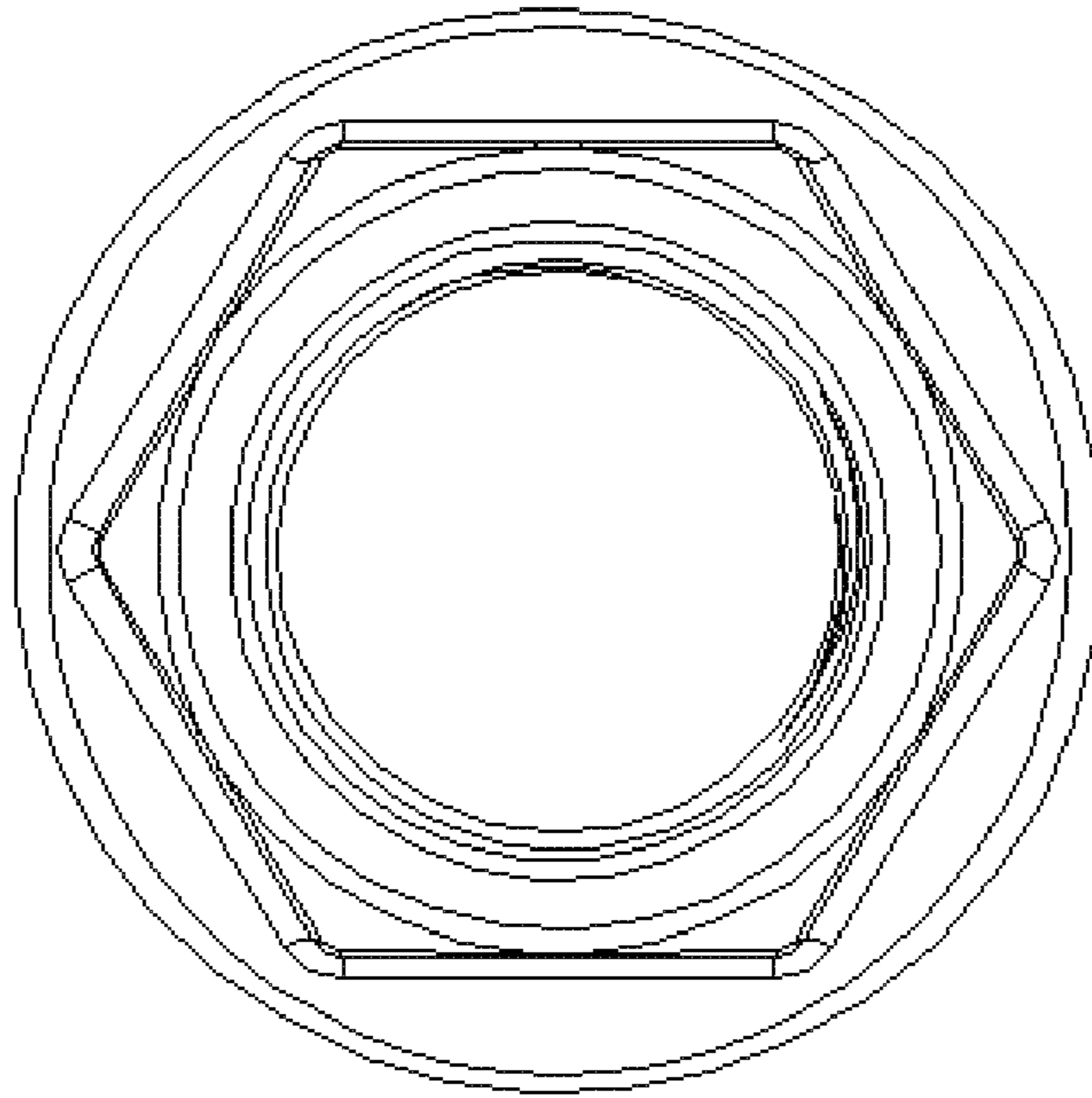


Fig. 1

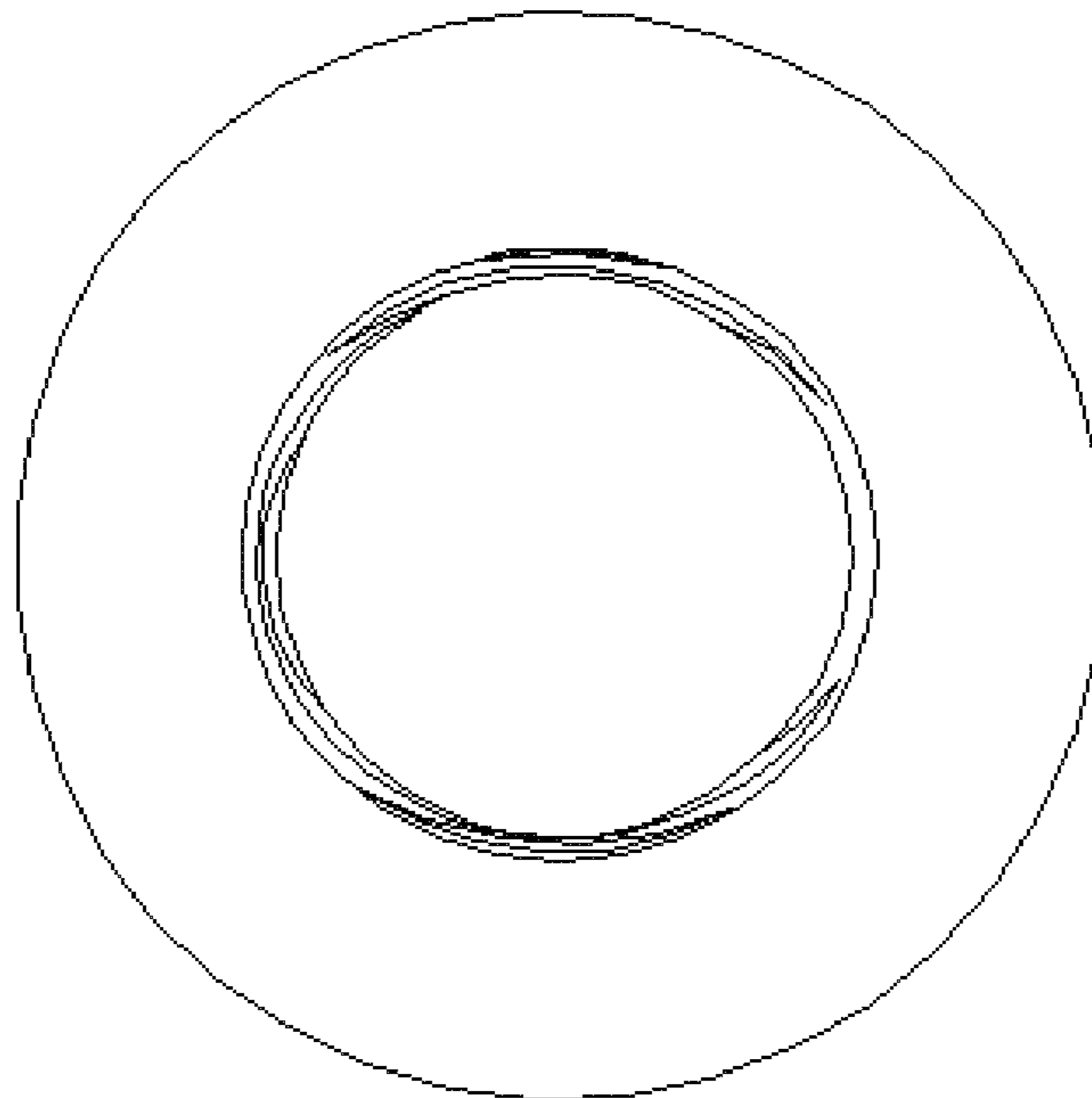


Fig. 2

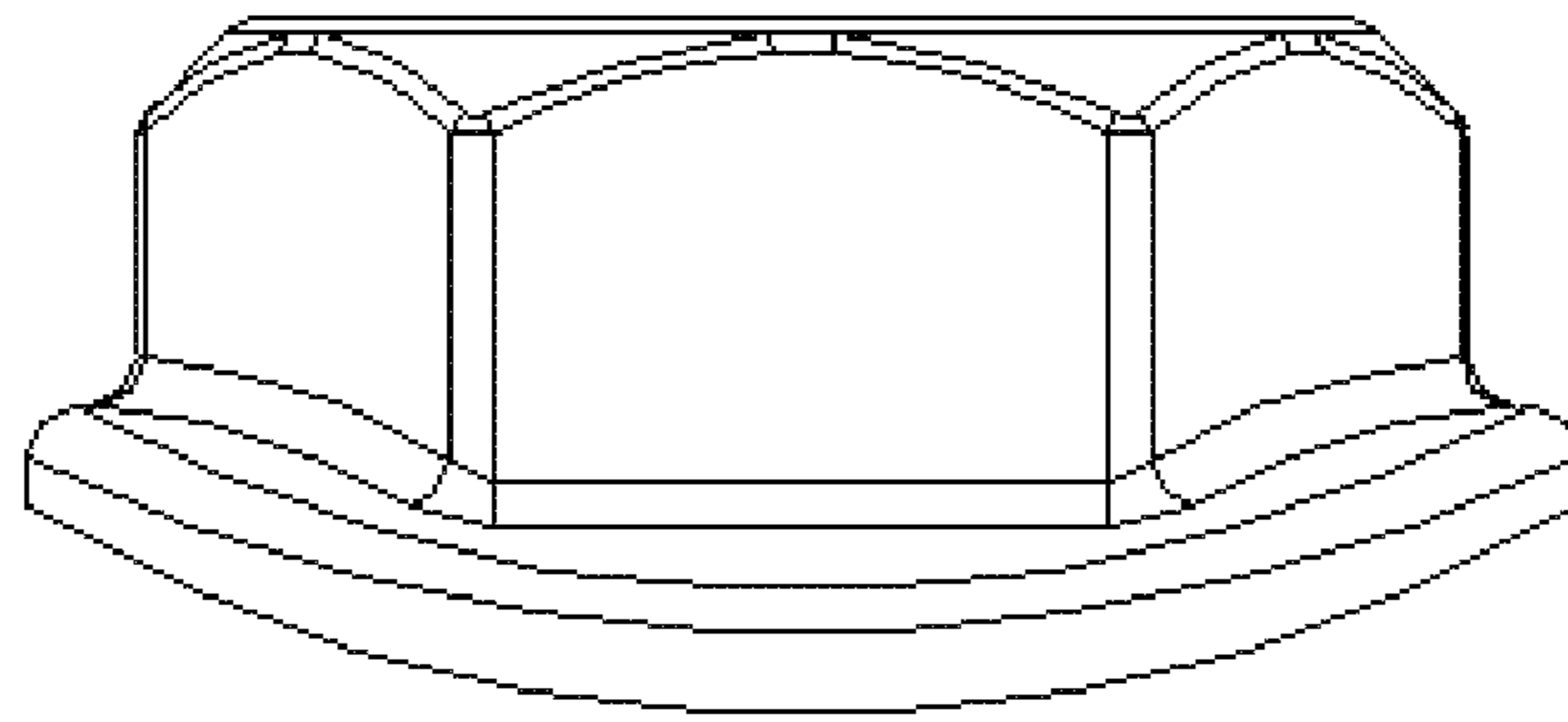


Fig. 3

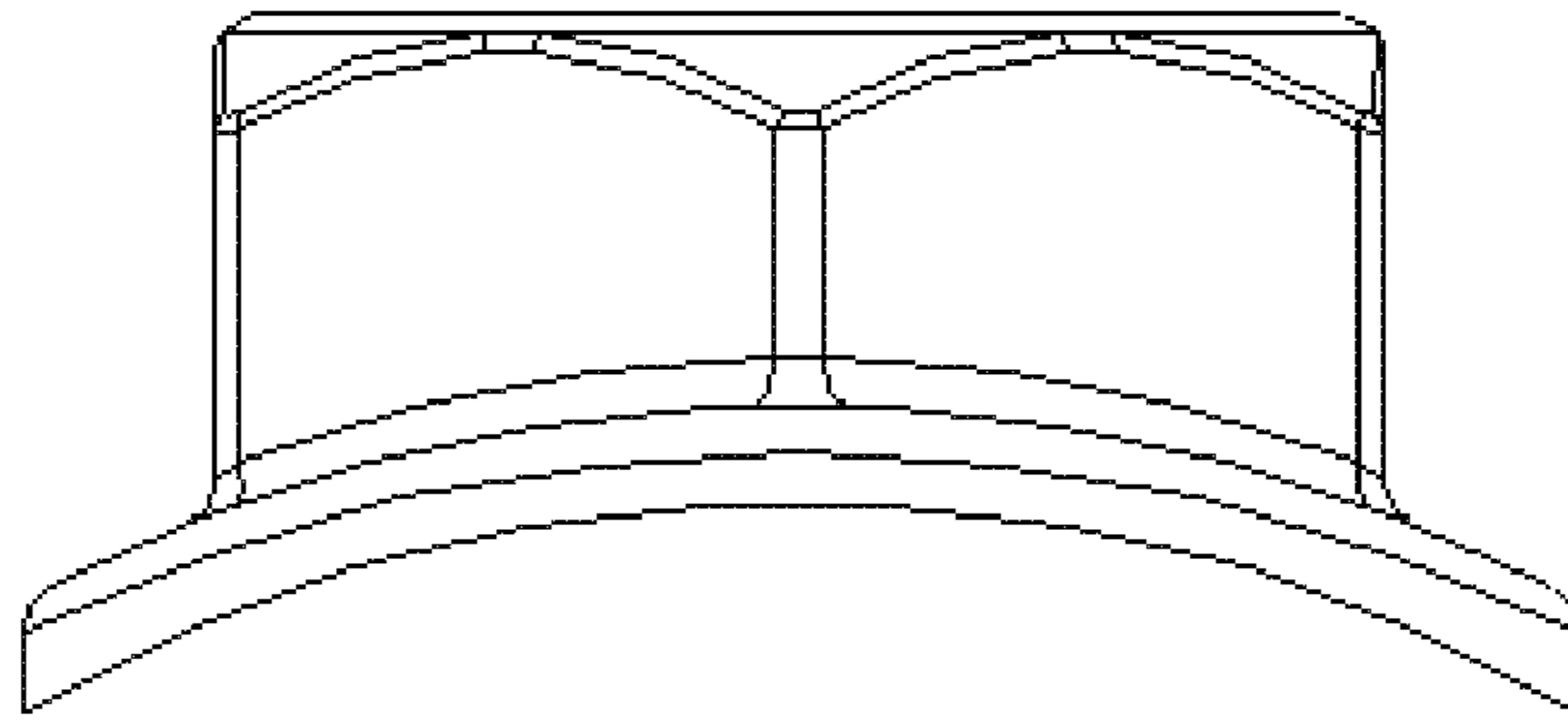


Fig. 4

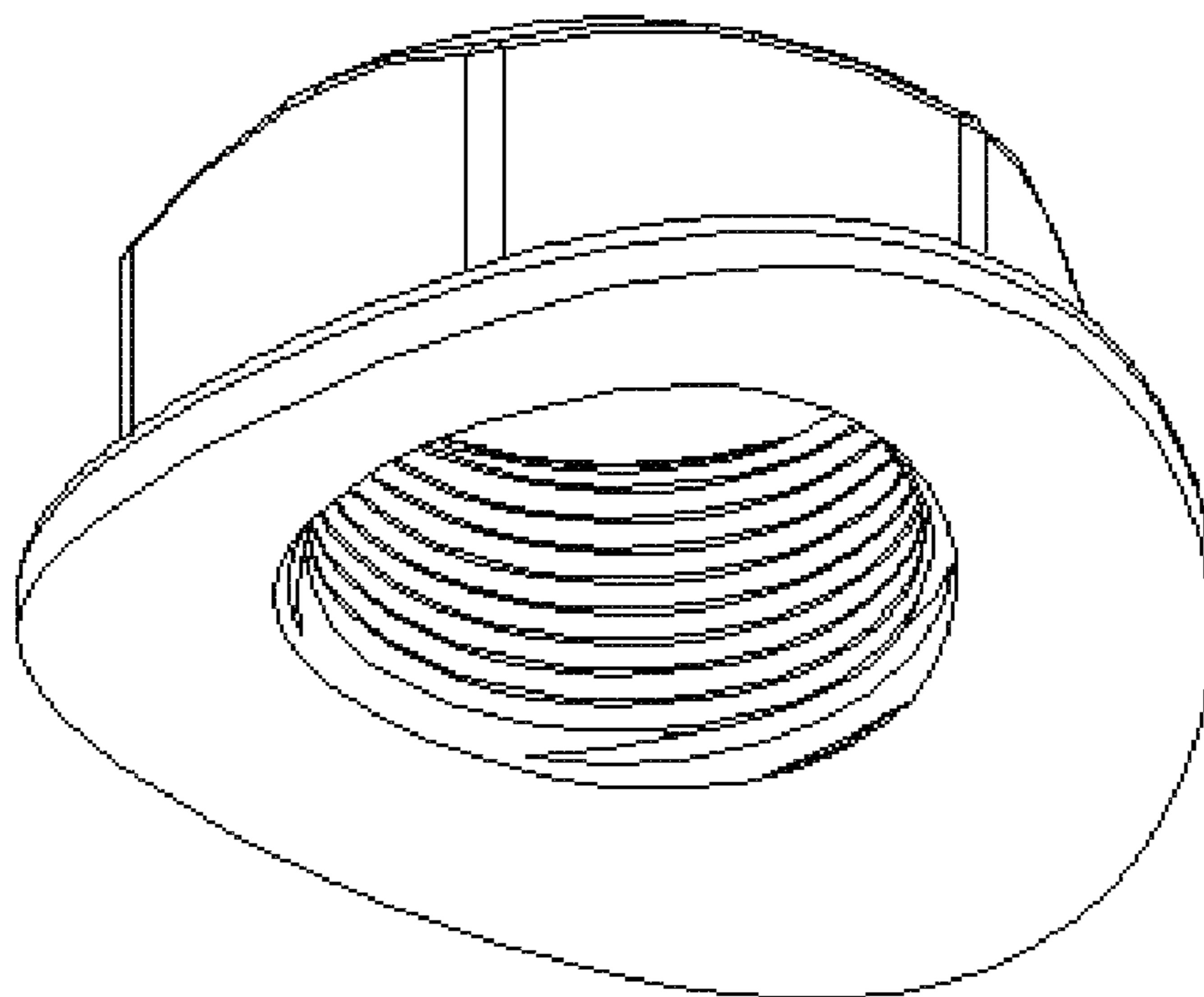


Fig. 5

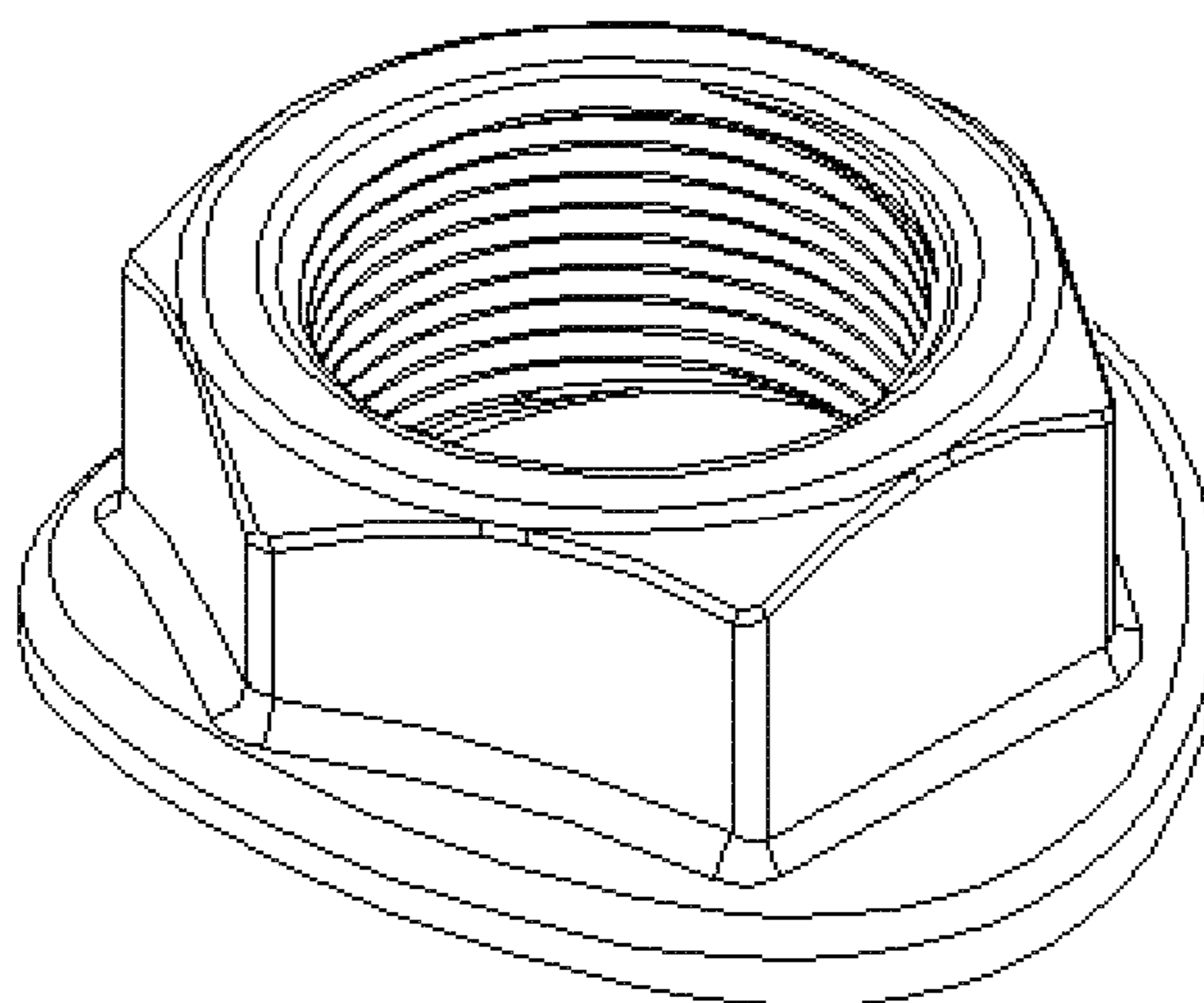


Fig. 6

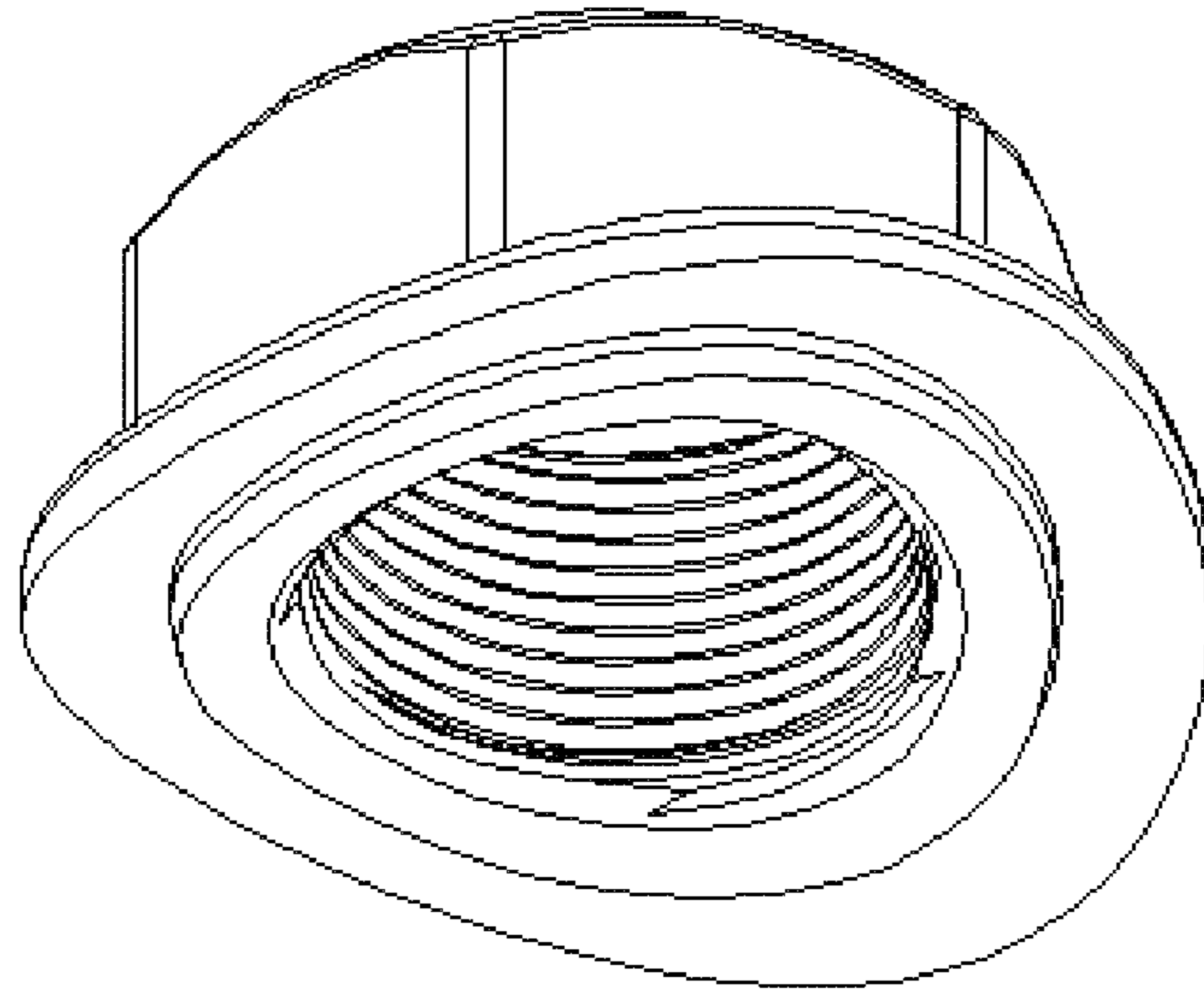


Fig. 7