

US00D733598S

(12) **United States Design Patent**
Just et al.

(10) **Patent No.:** **US D733,598 S**
(45) **Date of Patent:** **** Jul. 7, 2015**

(54) **BIOMETRIC MONITOR**

(71) Applicant: **Valencell, Inc.**, Raleigh, NC (US)

(72) Inventors: **Steven Matthew Just**, Cary, NC (US);
Michael Edward Aumer, Raleigh, NC (US);
Jesse Berkley Tucker, Knightdale, NC (US);
Lawrence Chris Eschbach, Louisburg, NC (US)

(73) Assignee: **Valencell, Inc.**, Raleigh, NC (US)

(**) Term: **14 Years**

(21) Appl. No.: **29/507,012**

(22) Filed: **Oct. 23, 2014**

Related U.S. Application Data

(63) Continuation of application No. 29/469,235, filed on Oct. 8, 2013, now Pat. No. Des. 719,860.

(51) **LOC (10) Cl.** **10-04**

(52) **U.S. Cl.**
USPC **D10/77; D10/98; D24/167**

(58) **Field of Classification Search**
USPC D10/65, 70, 78, 97, 98; 2/127, 170;
40/633, 665; 59/80; 63/15.7;
340/407.1, 665, 323 R; 368/41;
434/247, 258; 482/1, 2, 4, 8, 9, 44,
482/148, 901, 74, 909; 600/485, 500, 503,
600/437, 443, 453, 459, 465, 479, 502, 595,
600/481, 483; 702/178, 155, 160, 176, 78,
702/79, 82, 91-95, 104, 116, 141, 150, 151,
702/154, 127, 131, 182, 183, 189; 235/105;
377/5, 24.2, 26; 73/514.33, 514.34,

73/510, 513, 527, 530; 324/522; 345/165,
345/156, 905; 342/27, 28, 52-58, 419, 450,
342/457, 458; 250/DIG. 1; D24/167, 168
CPC A41D 1/002; A44C 5/0015; A44C 5/102;
A44C 5/14; A44C 5/02; A61B 19/44; A61B
2019/446; A63B 71/06; A63B 26/00; A63B
24/0075; A63B 2071/0663; G09F 3/005;
G06F 1/163; G06F 3/038; G06F 3/03547
See application file for complete search history.

(56) **References Cited**

U.S. PATENT DOCUMENTS

D677,792 S 3/2013 Vandiver

Primary Examiner — Antoine D Davis

(74) *Attorney, Agent, or Firm* — Myers Bigel Sibley & Sajovec

(57) **CLAIM**

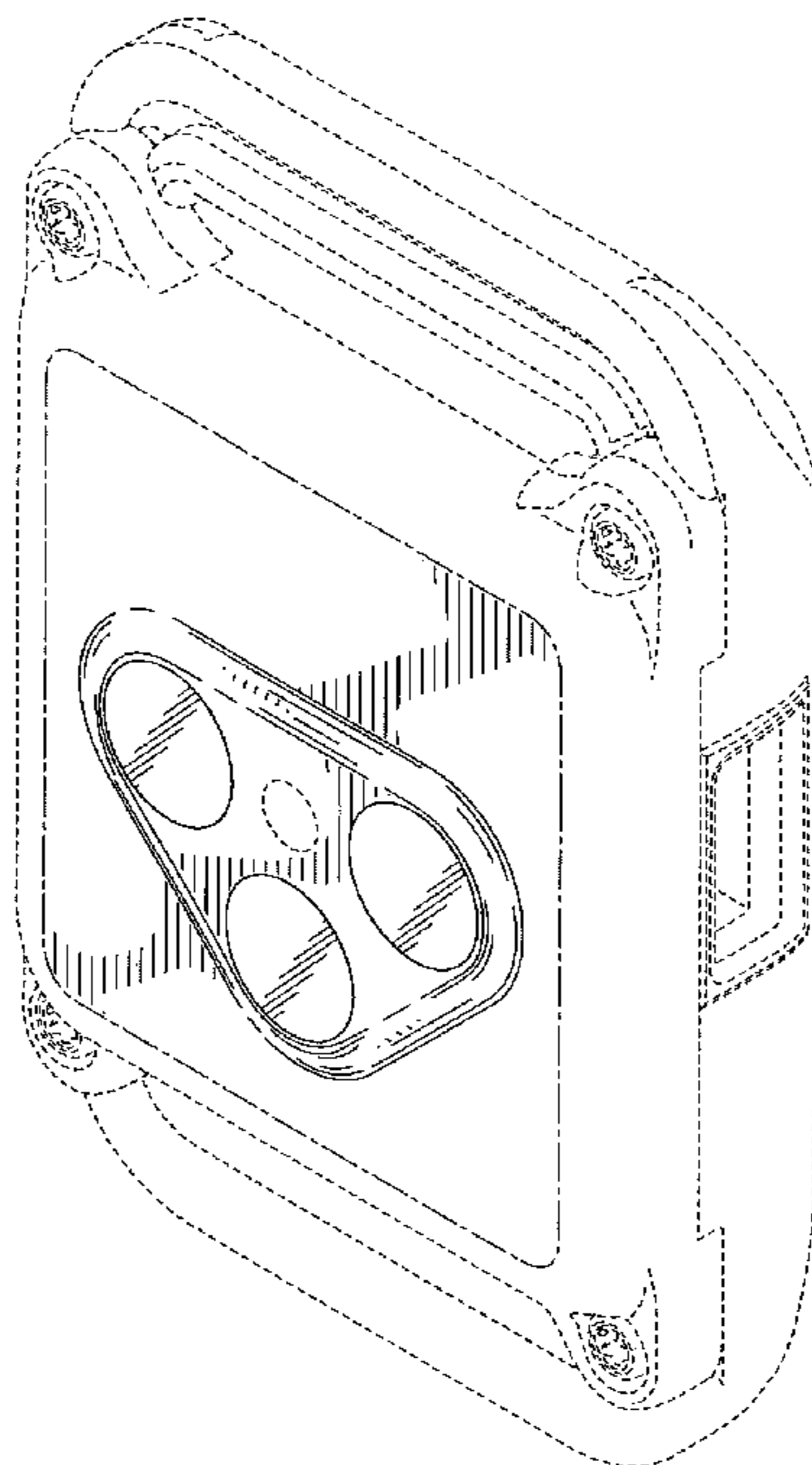
The ornamental design for a biometric monitor, as shown and described.

DESCRIPTION

FIG. 1 is a front perspective view of a biometric monitor, showing our new design;
FIG. 2 is a front plan view thereof;
FIG. 3 is a side view thereof;
FIG. 4 is a side view thereof, opposite the view shown in FIG. 3;
FIG. 5 is a top view thereof; and,
FIG. 6 is a bottom view thereof, opposite the view shown in FIG. 5.

The broken lines shown herein are for illustrative purposes only and form no part of the claimed design.

1 Claim, 4 Drawing Sheets



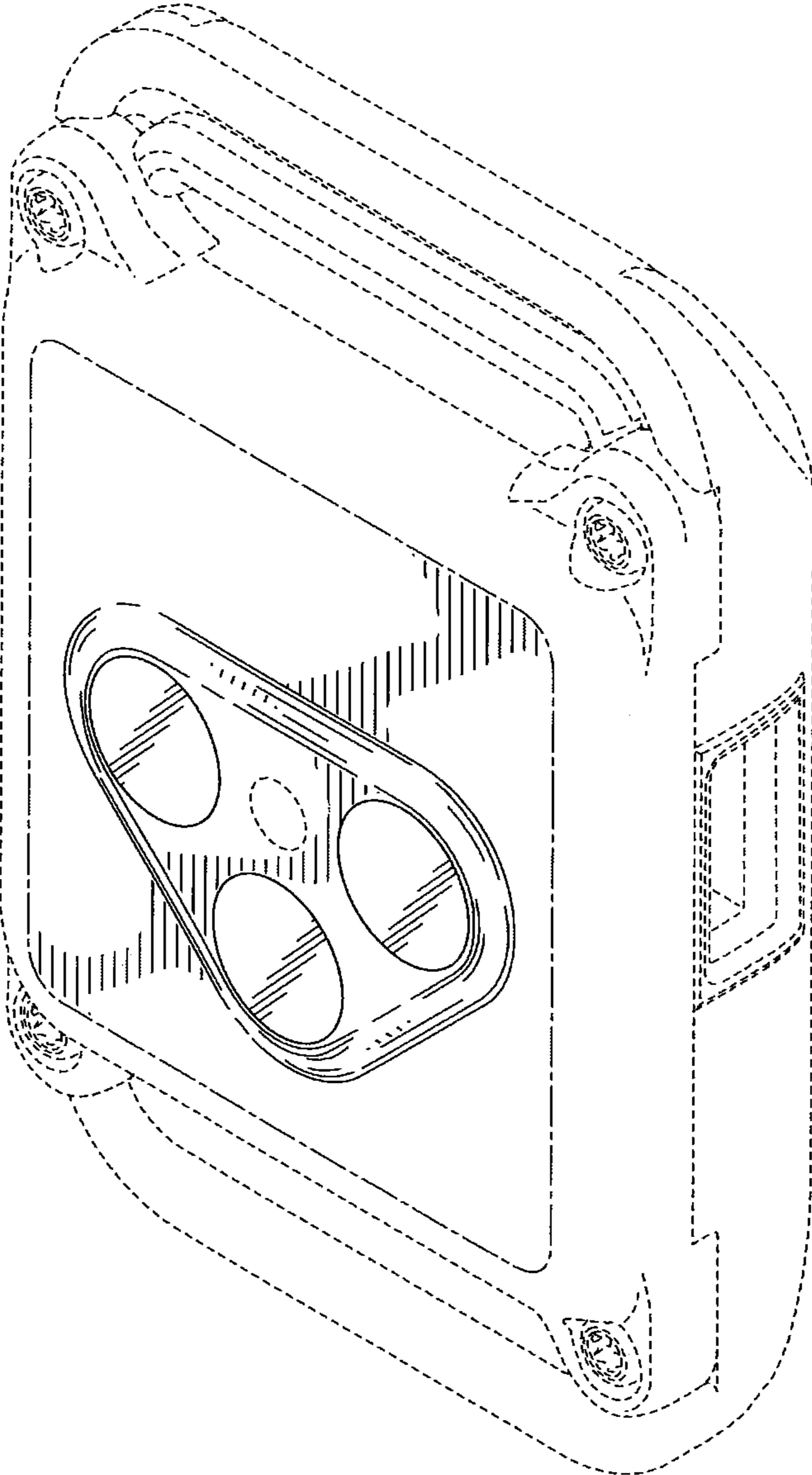


FIG. 1

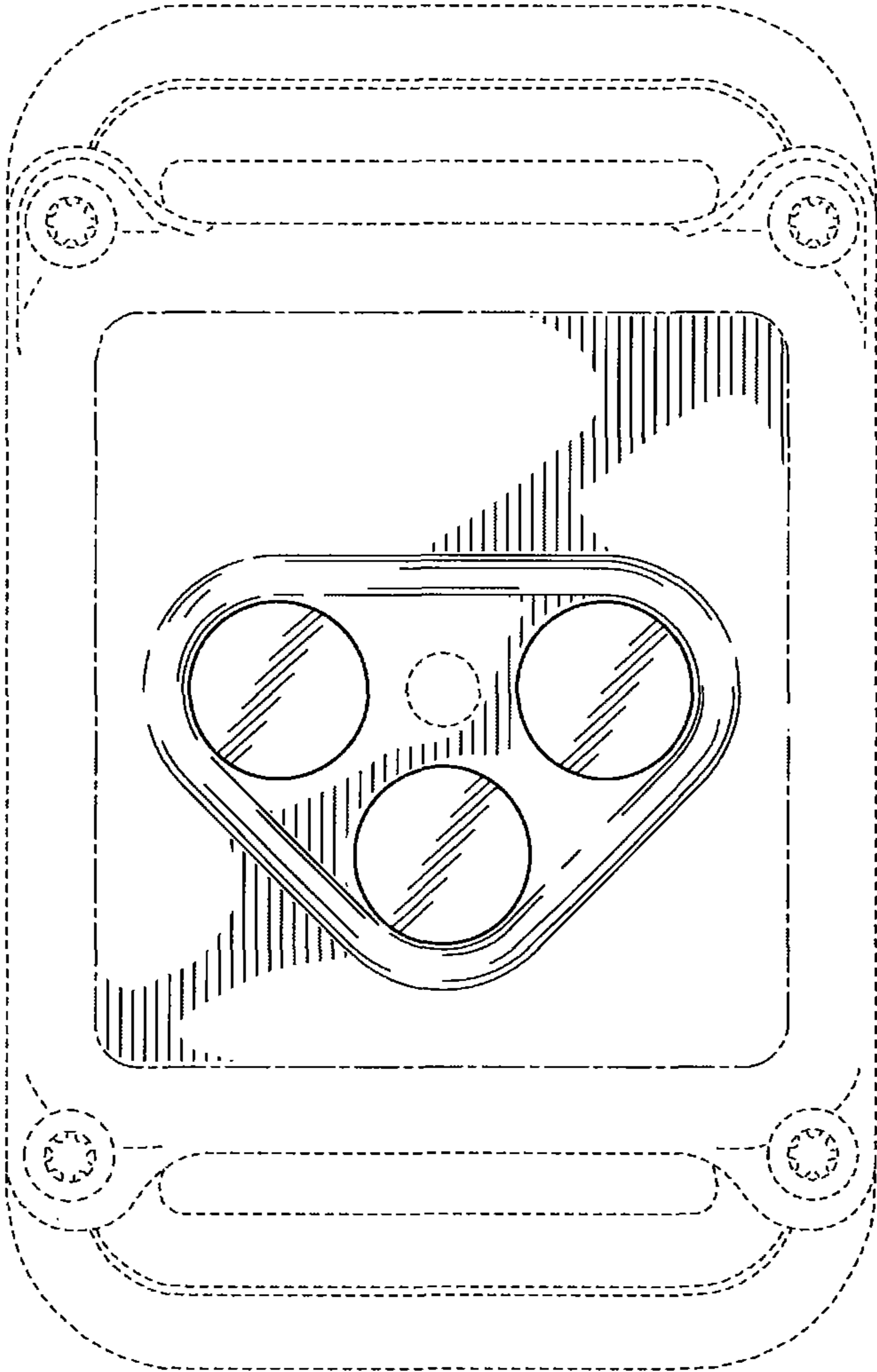


FIG. 2

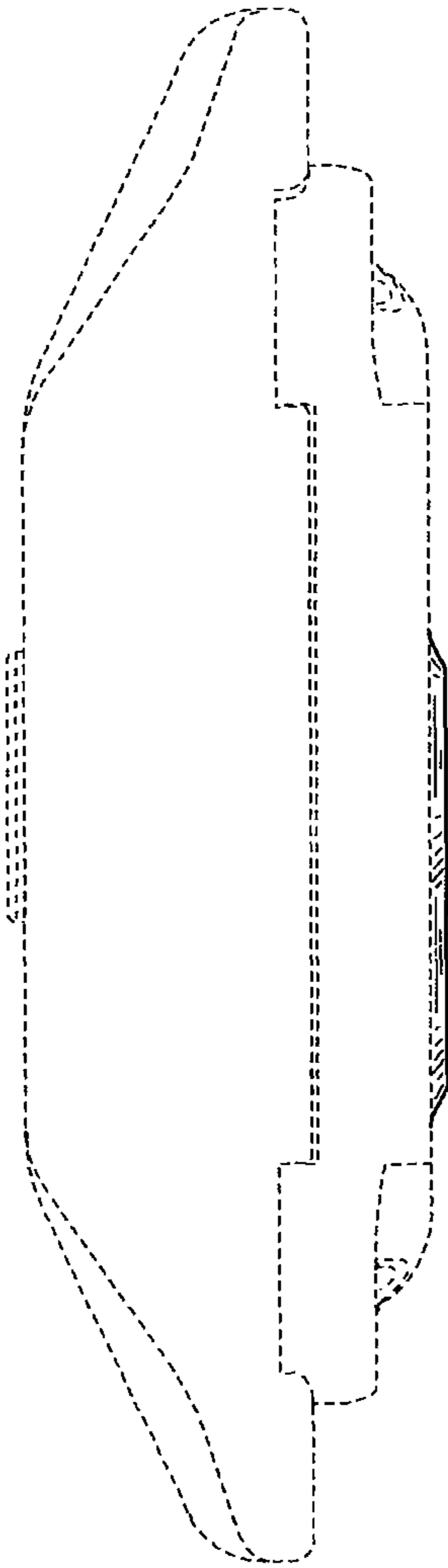


FIG. 3

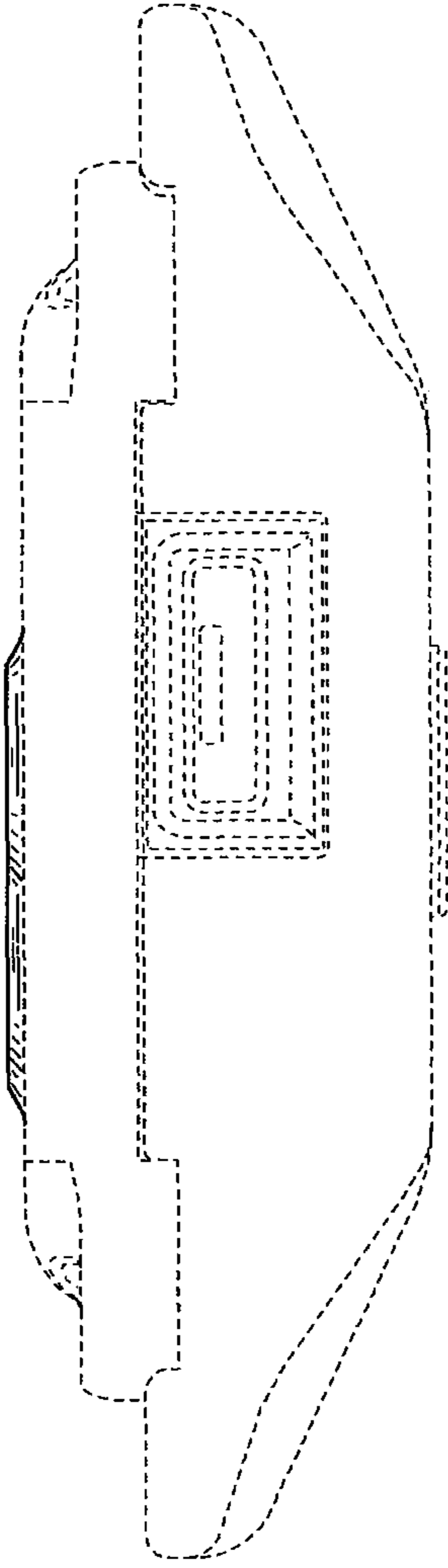


FIG. 4

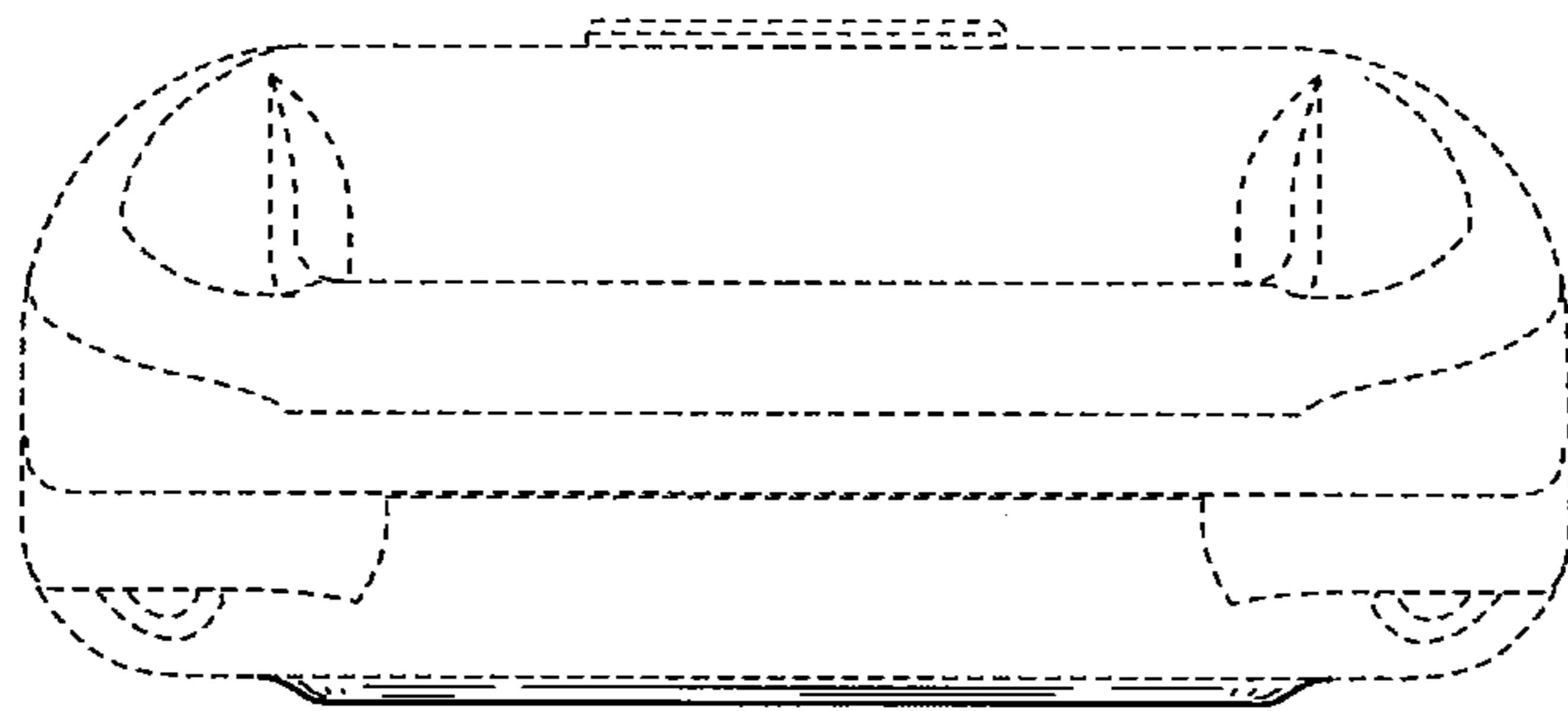


FIG. 5

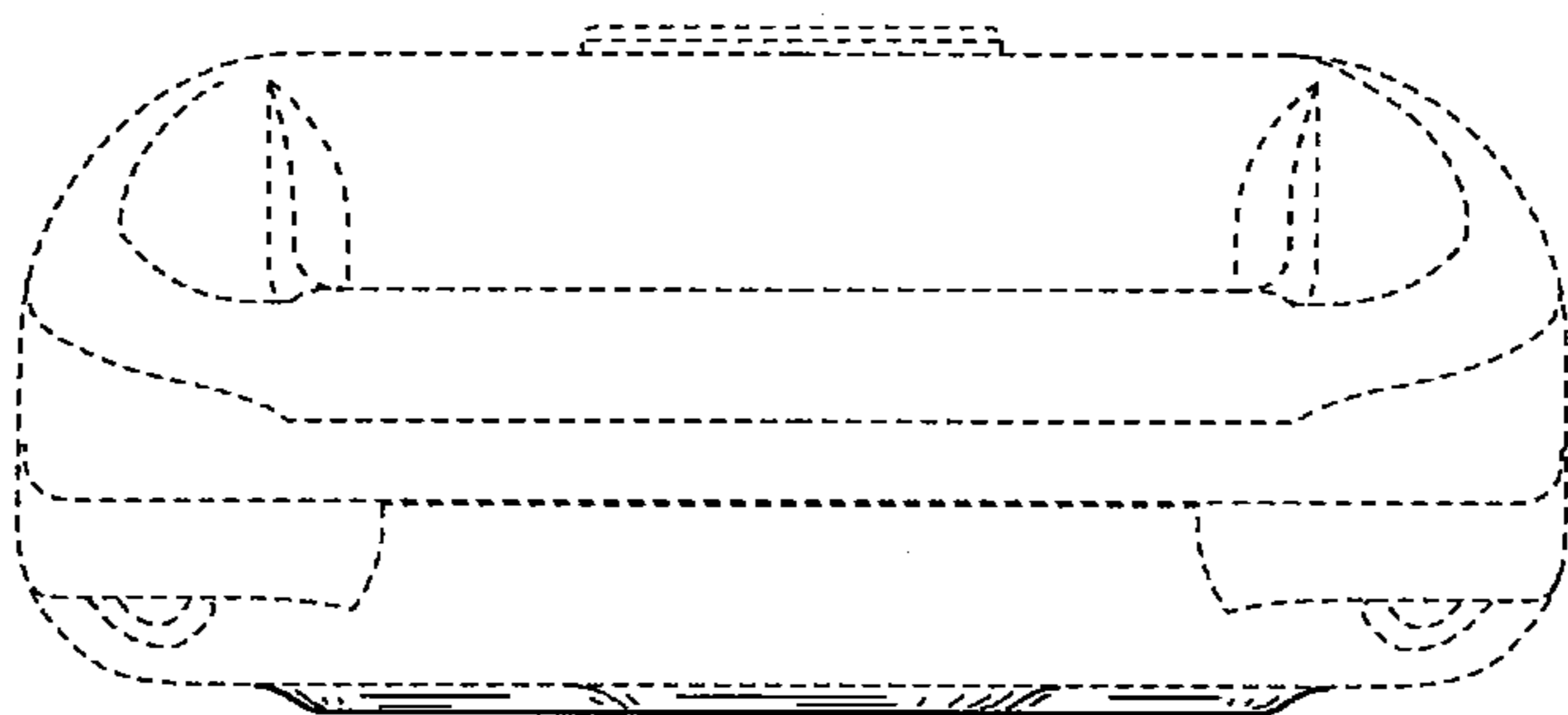


FIG. 6