



US00D733593S

(12) **United States Design Patent**  
**de Groot**

(10) **Patent No.:** **US D733,593 S**

(45) **Date of Patent:** **\*\* \*Jul. 7, 2015**

(54) **MOISTURE SENSOR AND CONTROLLER**

(56) **References Cited**

(71) Applicant: **Rockwool International A/S**

U.S. PATENT DOCUMENTS

(72) Inventor: **Jacob Frank de Groot**, Roermond (NL)

4,399,404	A *	8/1983	Resh	.....	324/689
4,588,943	A *	5/1986	Hirth	.....	324/664
D300,727	S *	4/1989	Fukushima	.....	D10/52
D316,823	S *	5/1991	Dadachanji	.....	D10/56
D358,779	S *	5/1995	Fabunan	.....	D10/56
6,340,892	B1 *	1/2002	Rynhart et al.	.....	324/640
6,553,813	B2 *	4/2003	Rynhart et al.	.....	73/73
6,747,463	B2 *	6/2004	Rynhart et al.	.....	324/664
7,168,316	B2 *	1/2007	Blakeley, III	.....	73/335.02
8,573,052	B2 *	11/2013	Hong et al.	.....	73/335.04

(73) Assignee: **Rockwool International A/S**,  
Hedehusene (DK)

(\*) Notice: This patent is subject to a terminal disclaimer.

\* cited by examiner

(\*\*) Term: **14 Years**

*Primary Examiner* — Antoine D Davis

(21) Appl. No.: **29/475,675**

(74) *Attorney, Agent, or Firm* — Tarolli Sundheim, Covell & Tummino LLP

(22) Filed: **Dec. 5, 2013**

(57) **CLAIM**

The ornamental design for a moisture sensor and controller, as shown and described.

(30) **Foreign Application Priority Data**

**DESCRIPTION**

Jun. 7, 2013 (EP) ..... 001374664

(51) **LOC (10) Cl.** ..... **10-04**

(52) **U.S. Cl.**  
USPC ..... **D10/56**

(58) **Field of Classification Search**  
USPC ..... D10/56  
CPC .. G01N 27/223; G01N 27/225; G01N 27/048  
See application file for complete search history.

FIG. 1 is a front perspective view of a moisture sensor and controller;

FIG. 2 is a rear perspective view thereof;

FIG. 3 is a front elevation view thereof;

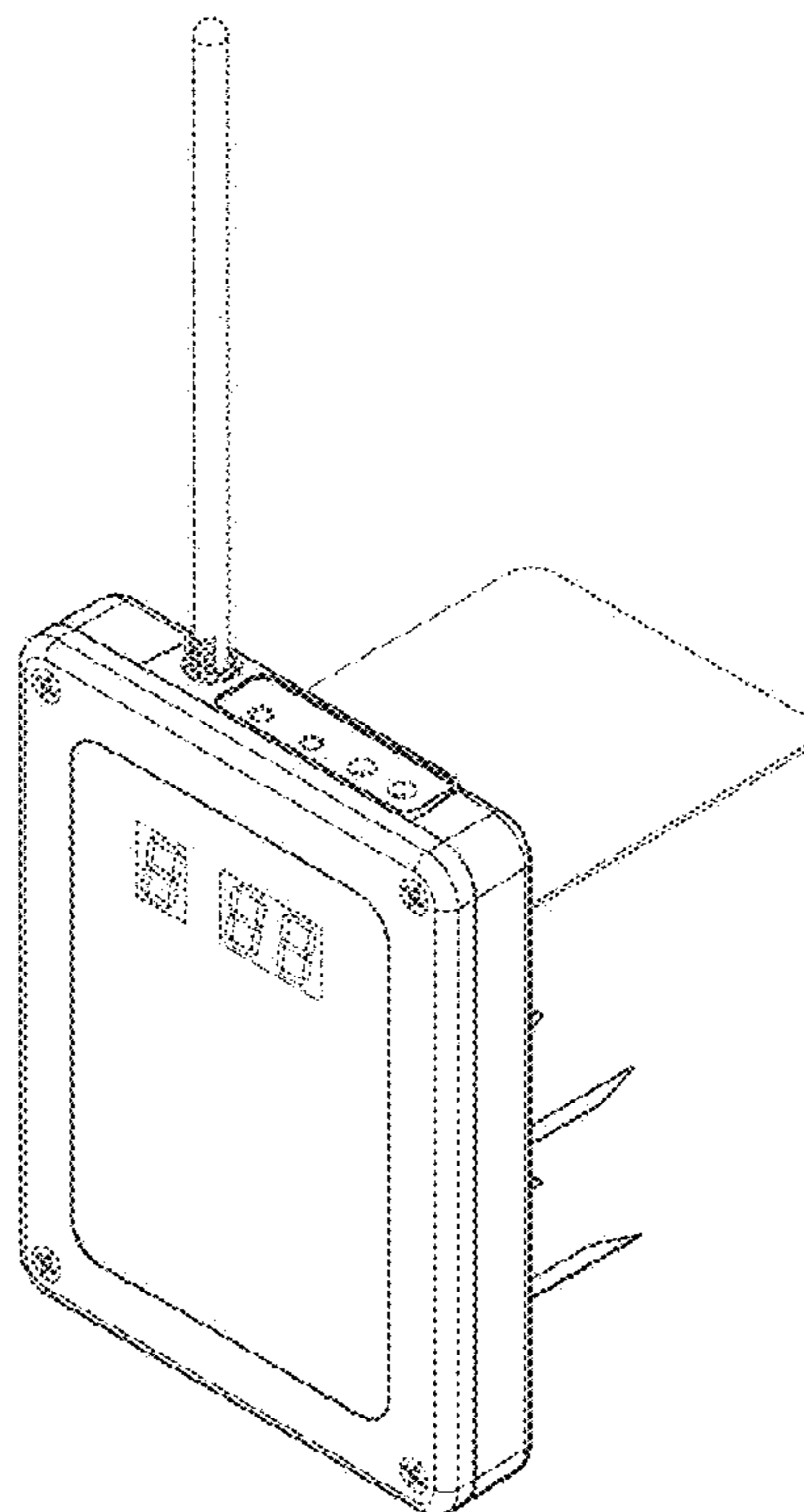
FIG. 4 is a rear elevation view thereof;

FIG. 5 is a top plan view thereof; and,

FIG. 6 is a right side view thereof.

Those portions of the Figures shown in dashed lines are for illustrative purposes only and form no part of the claimed design.

**1 Claim, 6 Drawing Sheets**



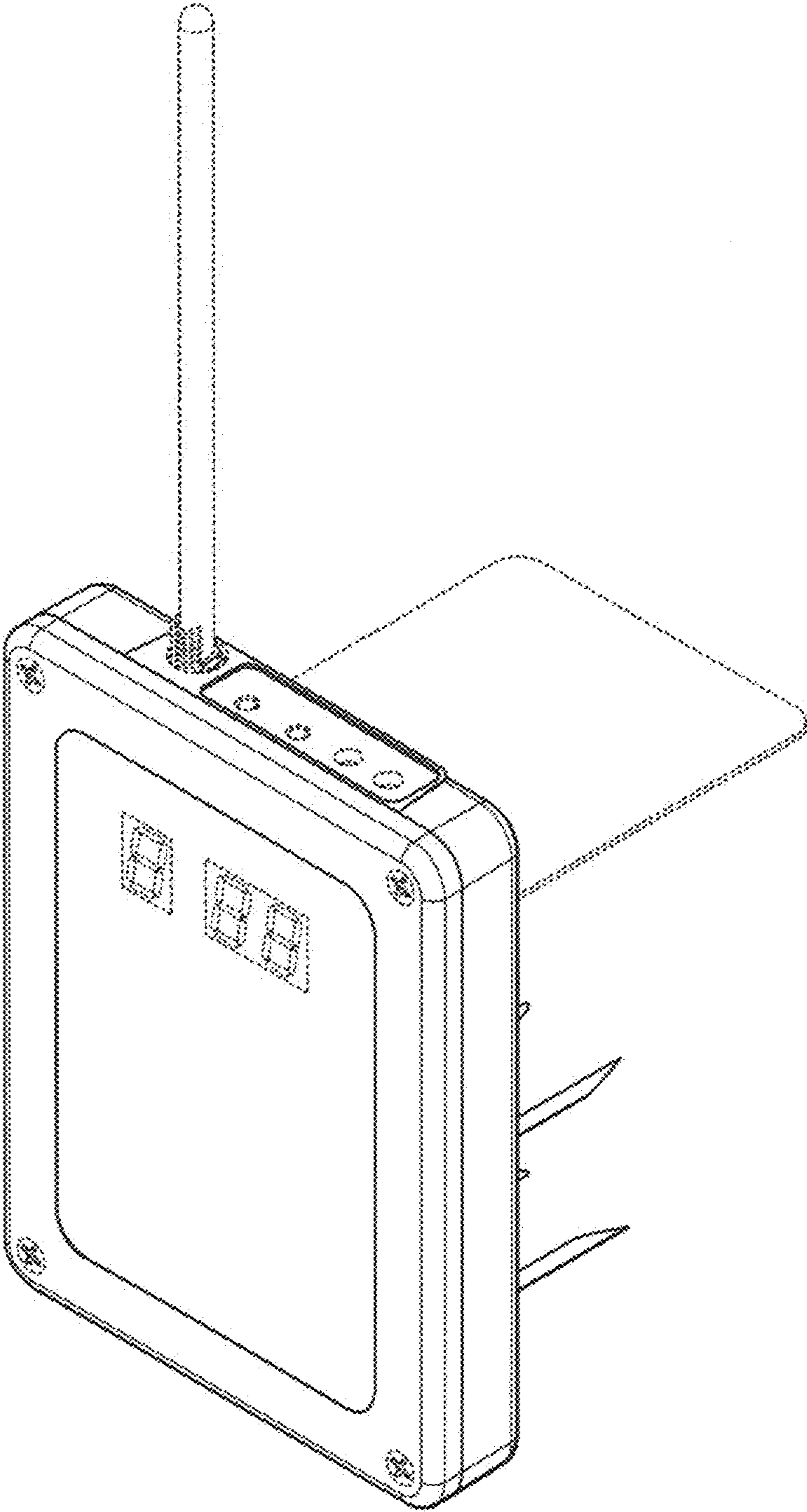


Fig. 1

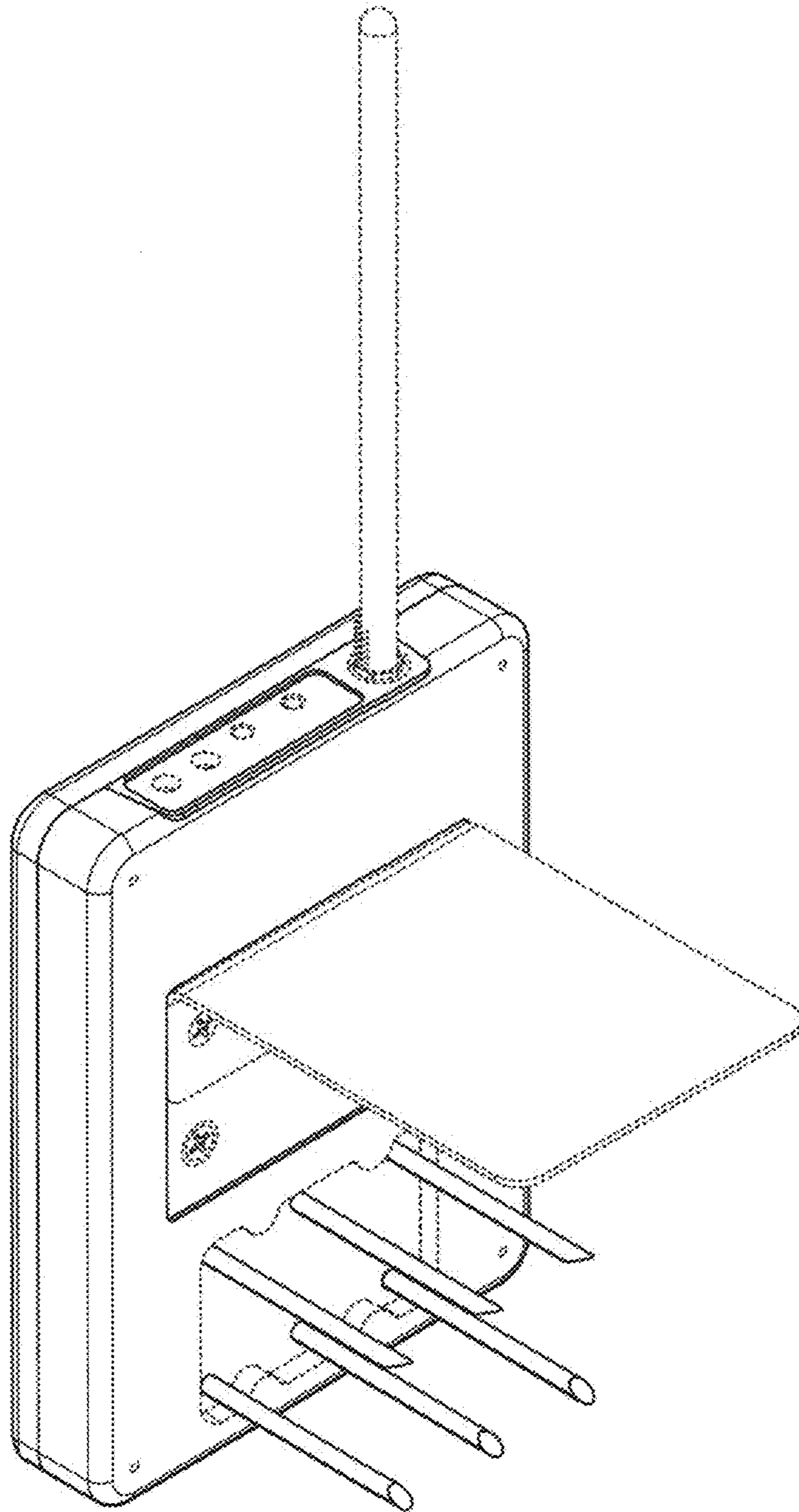


Fig. 2

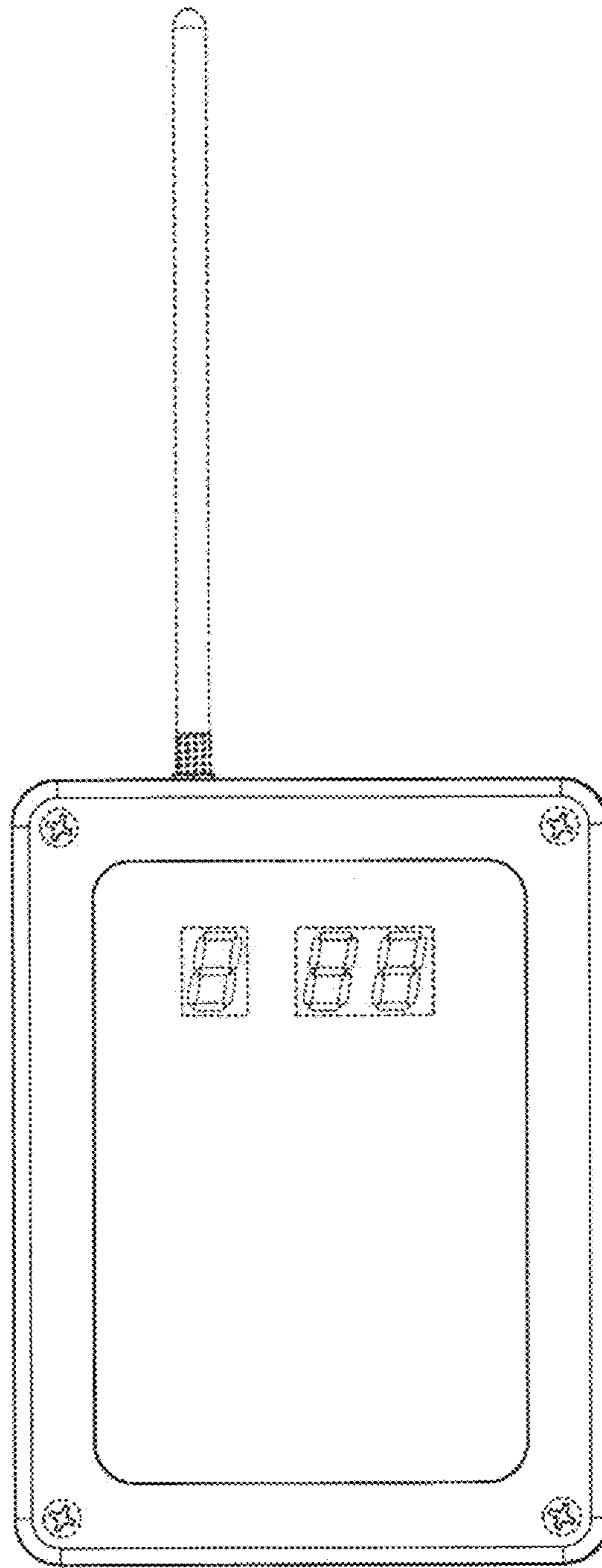


Fig. 3

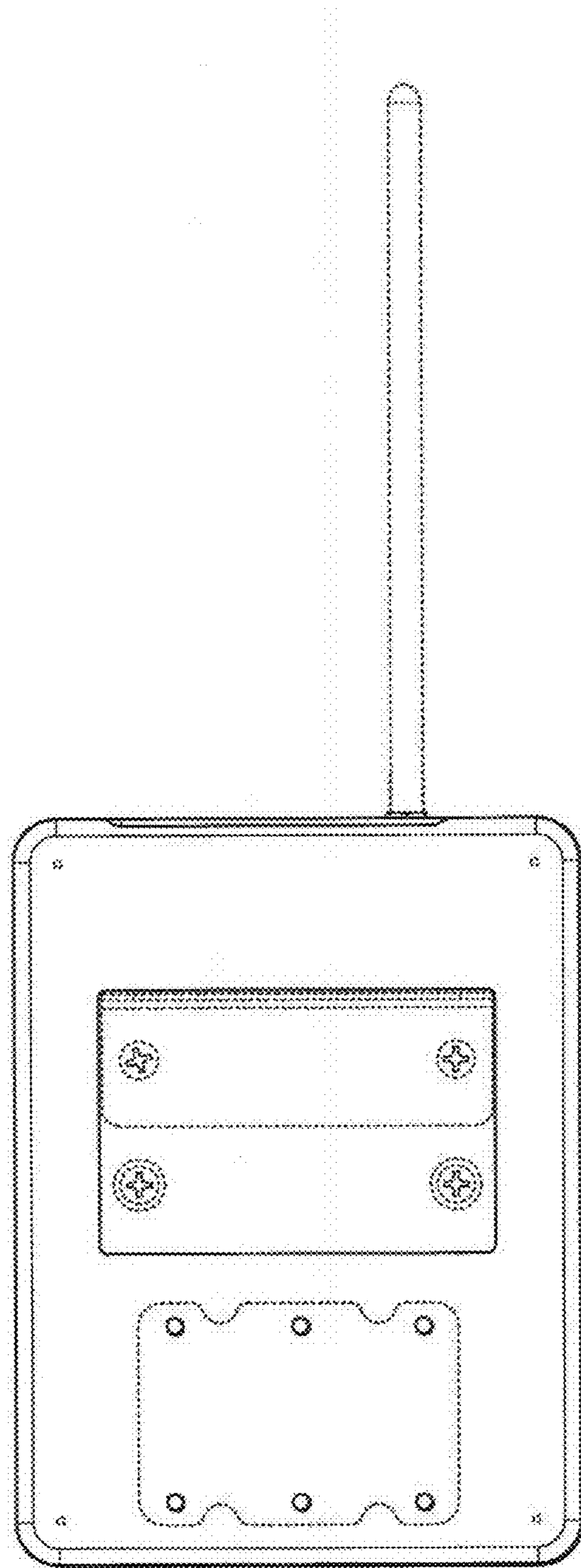


Fig. 4

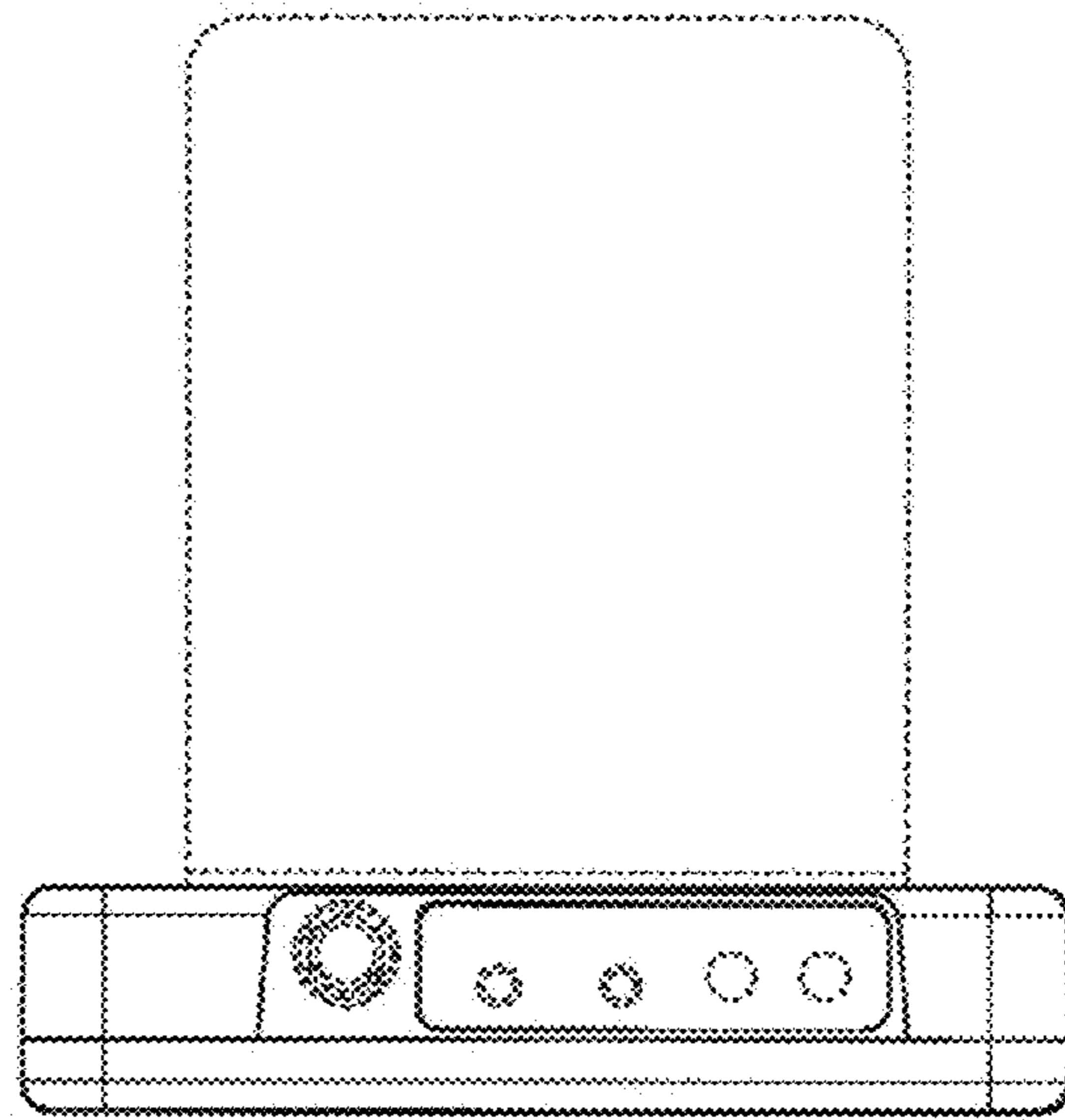


Fig. 5

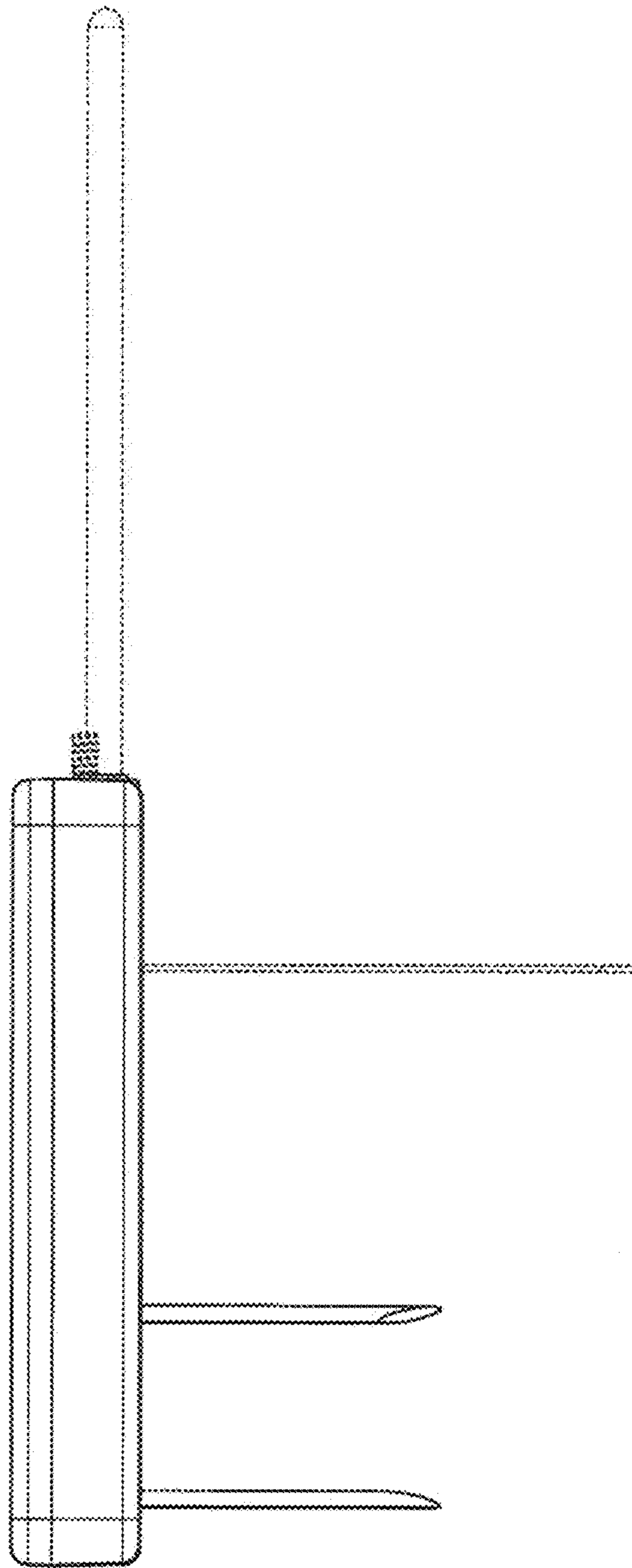


Fig. 6