



US00D733592S

(12) **United States Design Patent**
de Groot

(10) **Patent No.:** **US D733,592 S**

(45) **Date of Patent:** **** Jul. 7, 2015**

(54) **MOISTURE SENSOR AND CONTROLLER**

6,747,463 B2 * 6/2004 Rynhart et al. 324/664
7,168,316 B2 * 1/2007 Blakeley, III 73/335.02
8,573,052 B2 * 11/2013 Hong et al. 73/335.04

(71) Applicant: **Rockwood International A/S**

* cited by examiner

(72) Inventor: **Jacob Frank de Groot**, Roermond (NL)

Primary Examiner — Antoine D Davis

(73) Assignee: **Rockwool International A/S**,
Hedehusene (DK)

(74) *Attorney, Agent, or Firm* — Tarolli, Sundheim, Covell
& Tummino LLP

(*) Notice: This patent is subject to a terminal disclaimer.

(57) **CLAIM**
The ornamental design for a moisture sensor and controller,
as shown and described.

(**) Term: **14 Years**

DESCRIPTION

(21) Appl. No.: **29/475,674**

FIG. 1 is a front perspective view of a moisture sensor and controller;

(22) Filed: **Dec. 5, 2013**

FIG. 2 is a rear perspective view thereof;

(30) **Foreign Application Priority Data**

FIG. 3 is a front elevation view thereof;

Jun. 7, 2013 (EP) 001374664-0004

FIG. 4 is a rear elevation view thereof;

Jun. 7, 2013 (EP) 001374664-0005

FIG. 5 is a top plan view thereof;

Jun. 7, 2013 (EP) 001374664-0006

FIG. 6 is a right side view thereof;

(51) **LOC (10) Cl.** **10-04**

FIG. 7 is a front perspective view thereof, showing an alternative usage environment;

(52) **U.S. Cl.**

FIG. 8 is a rear perspective view thereof;

USPC **D10/56**

FIG. 9 is a front elevation view thereof;

(58) **Field of Classification Search**

USPC D10/56

FIG. 10 is a rear elevation view thereof;

CPC .. G01N 27/223; G01N 27/225; G01N 27/048

FIG. 11 is a top plan view thereof;

See application file for complete search history.

FIG. 12 is a right side view thereof;

(56) **References Cited**

FIG. 13 is a front perspective view thereof; showing an alternative usage environment;

U.S. PATENT DOCUMENTS

4,399,404 A * 8/1983 Resh 324/689

FIG. 14 is a rear perspective view thereof;

4,588,943 A * 5/1986 Hirth 324/664

FIG. 15 is a front elevation view thereof;

D300,727 S * 4/1989 Fukushima D10/52

FIG. 16 is a rear elevation view thereof;

D316,823 S * 5/1991 Dadachanji D10/56

FIG. 17 is a top plan view thereof; and,

D358,779 S * 5/1995 Fabunan D10/56

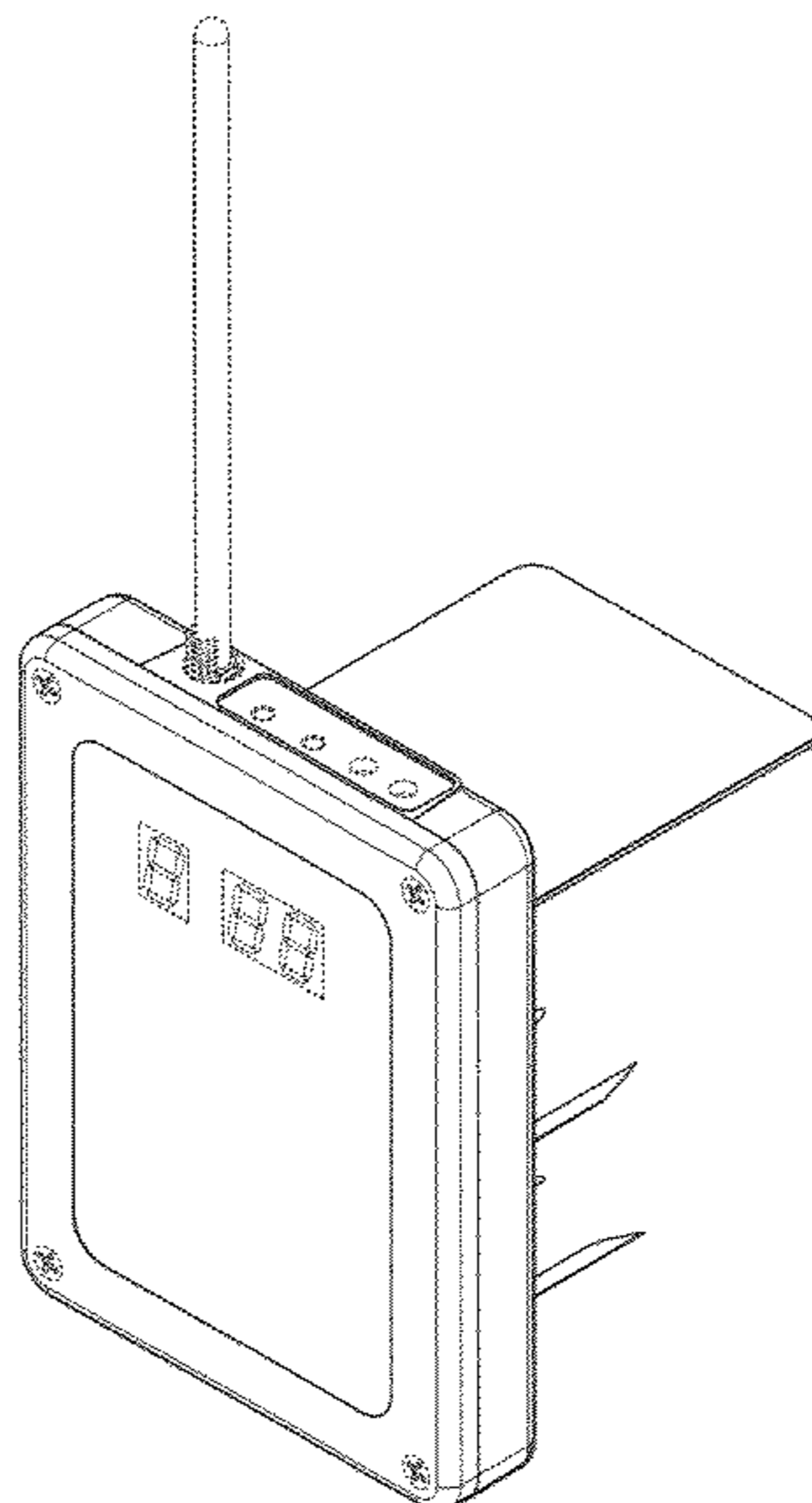
FIG. 18 is a right side view thereof.

6,340,892 B1 * 1/2002 Rynhart et al. 324/640

Those portions of the Figures shown in dashed lines are for illustrative purposes only and form no part of the claimed design.

6,553,813 B2 * 4/2003 Rynhart et al. 73/73

1 Claim, 18 Drawing Sheets



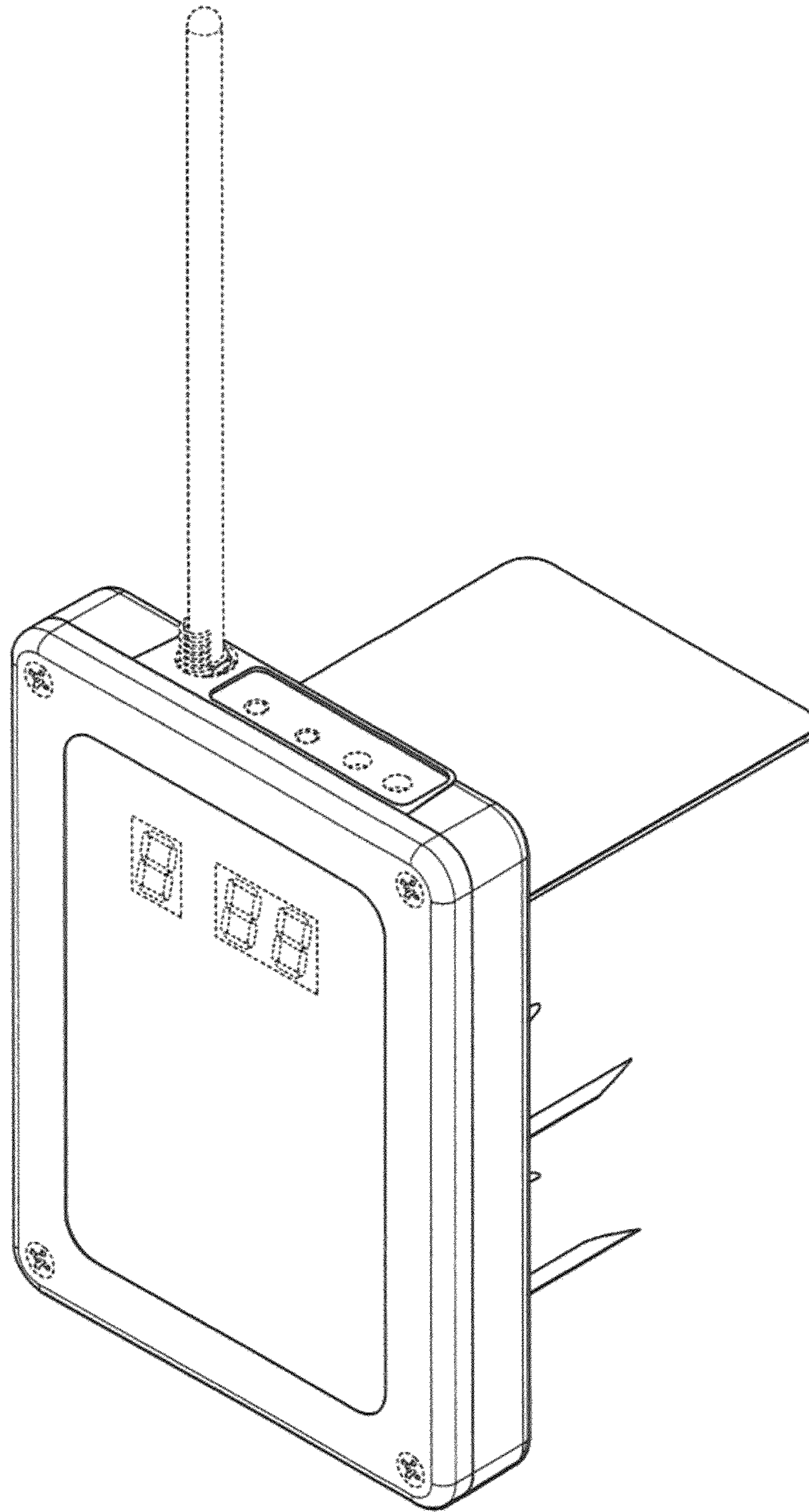


FIG. 1

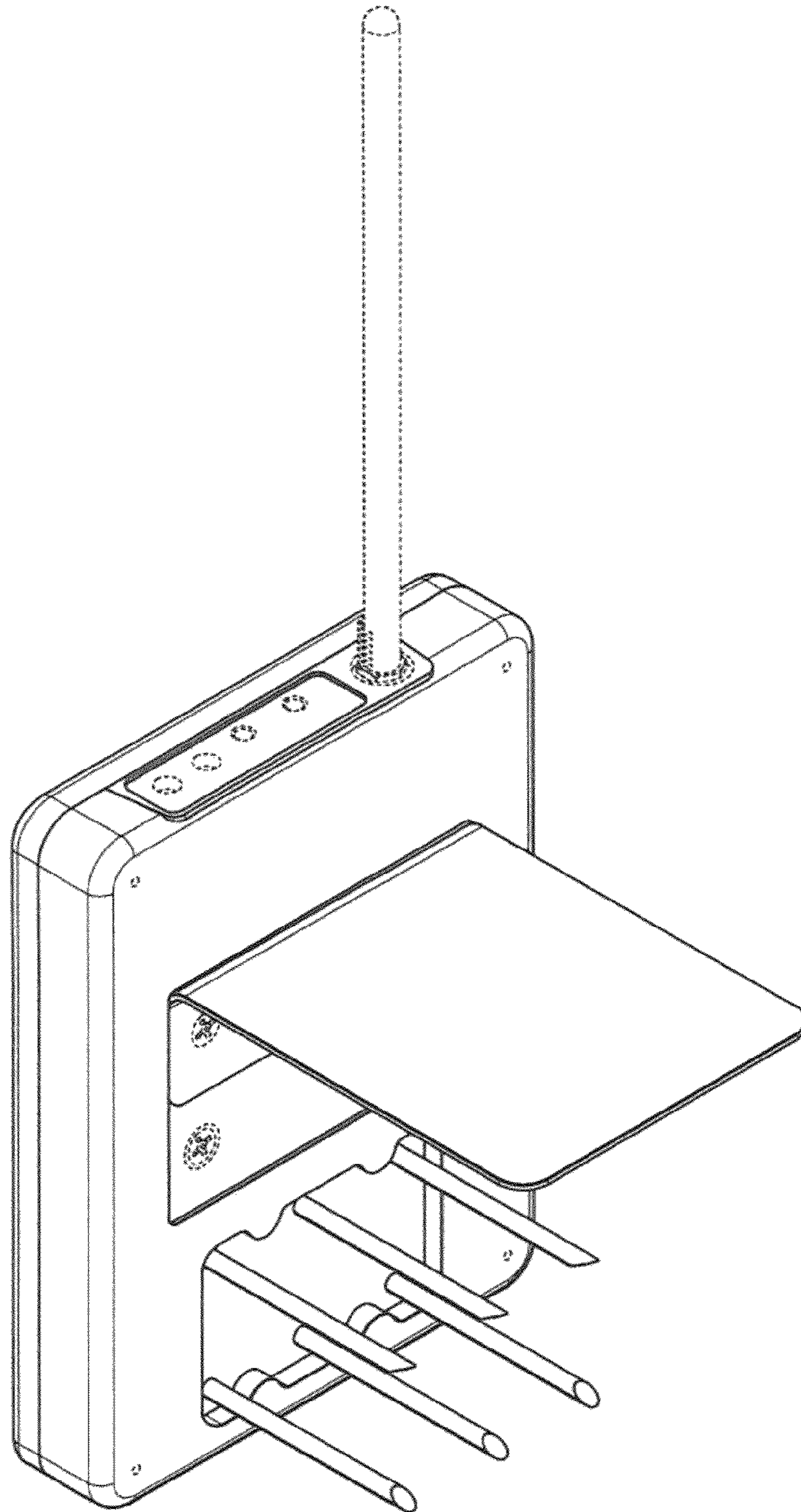


FIG. 2

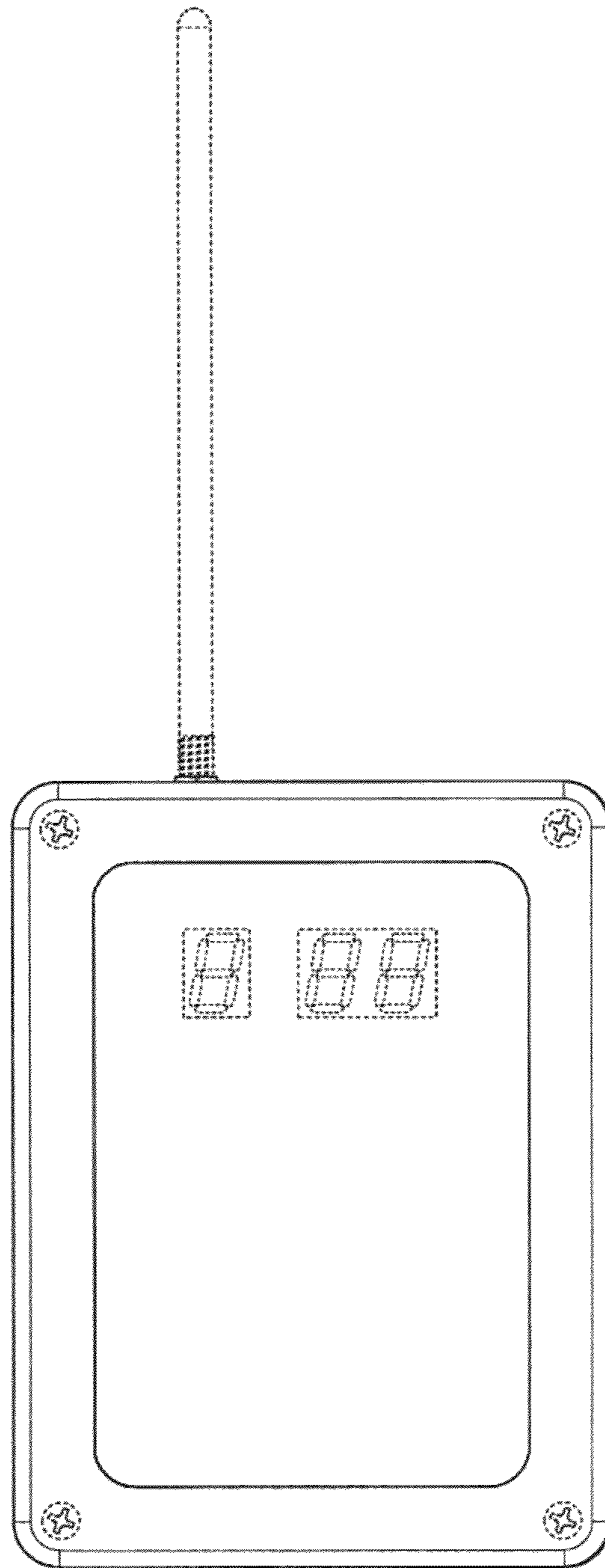


FIG. 3

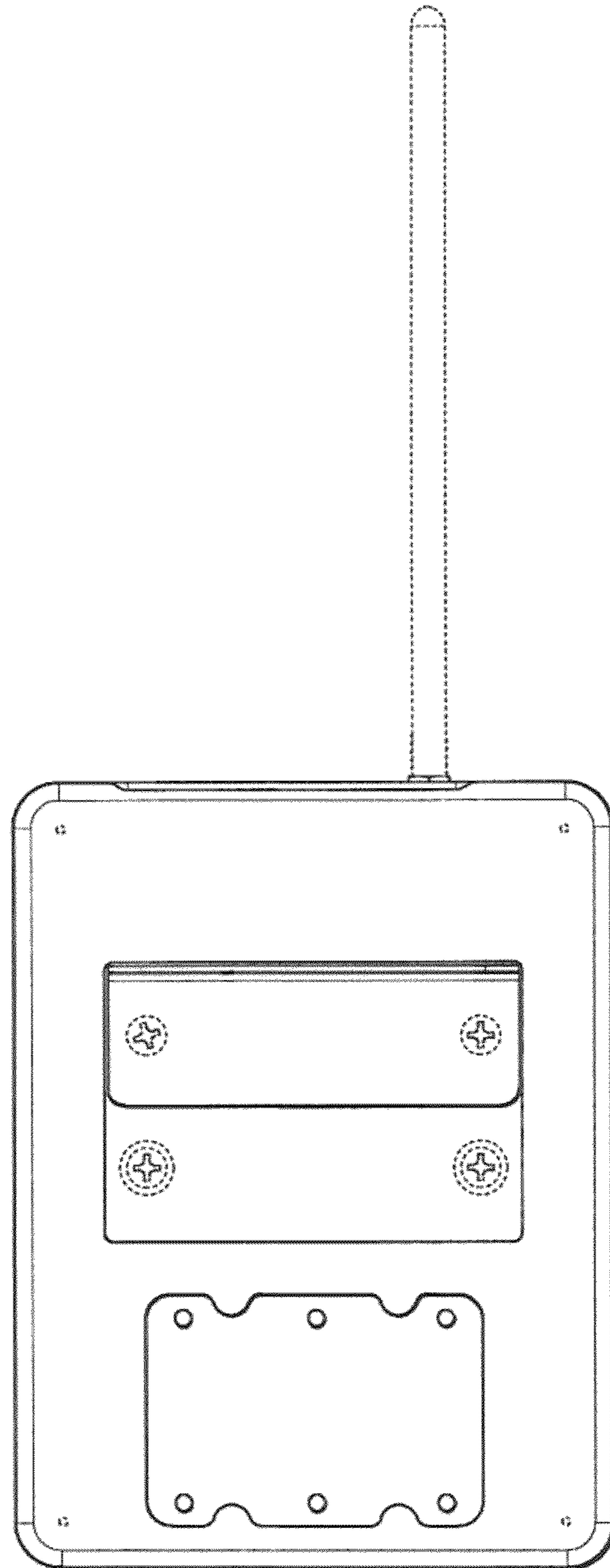


FIG. 4

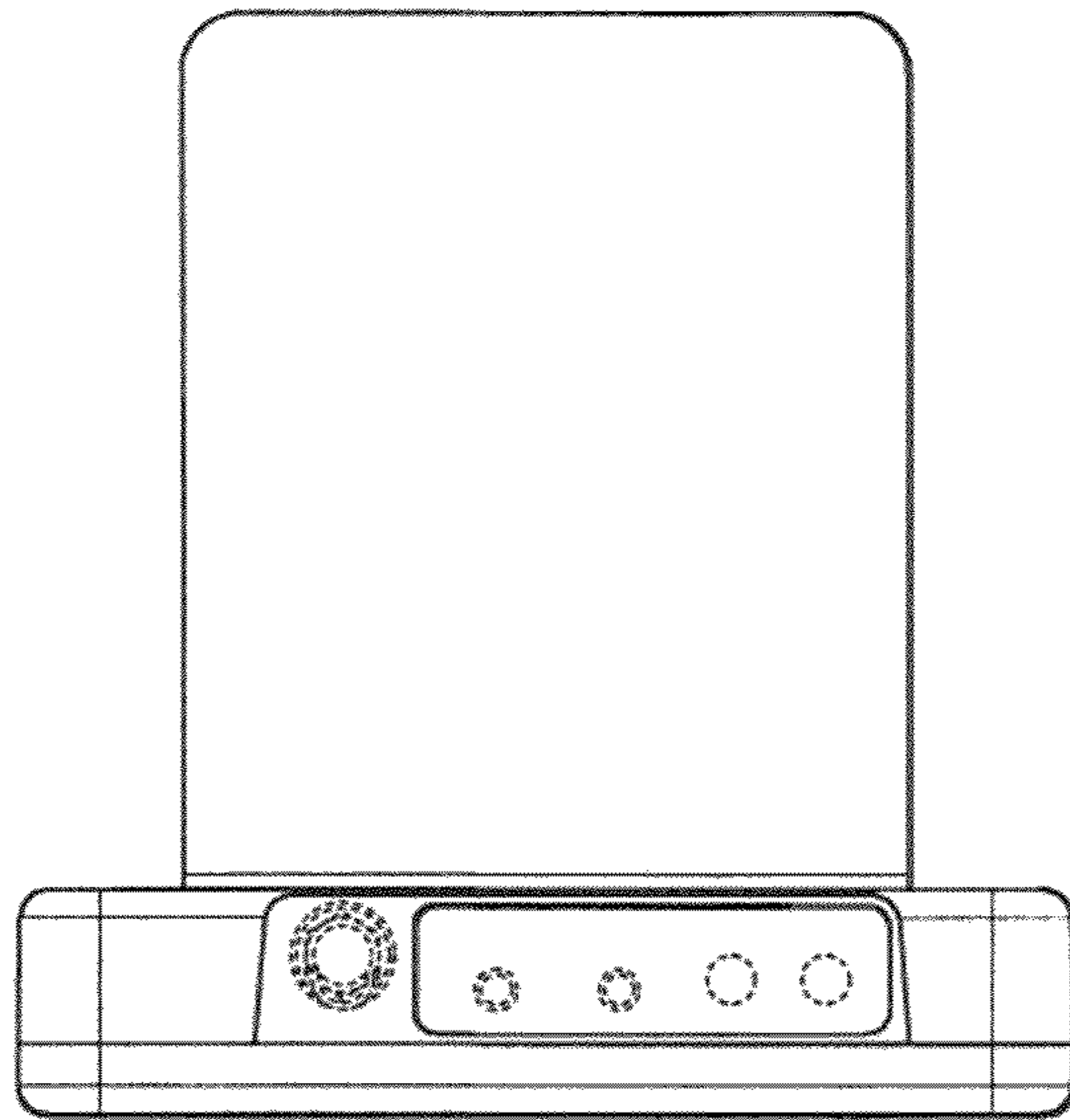


FIG. 5

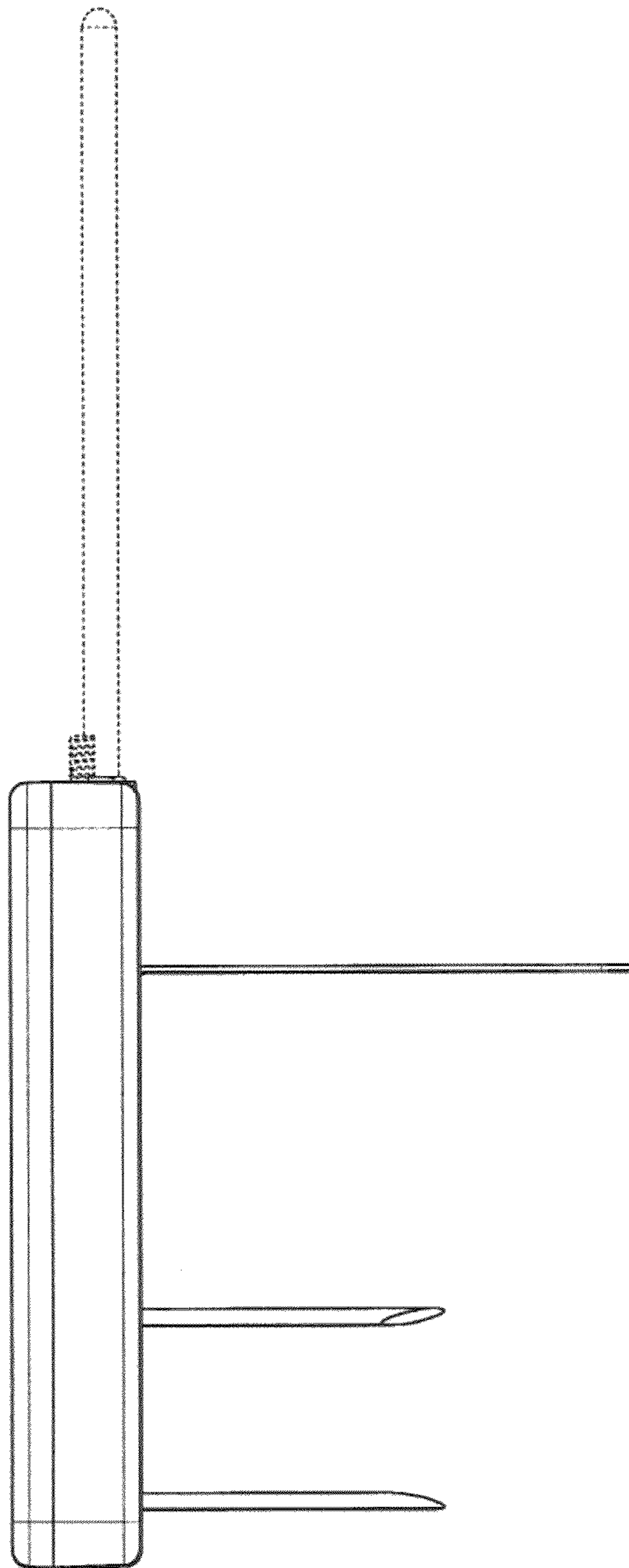


FIG. 6

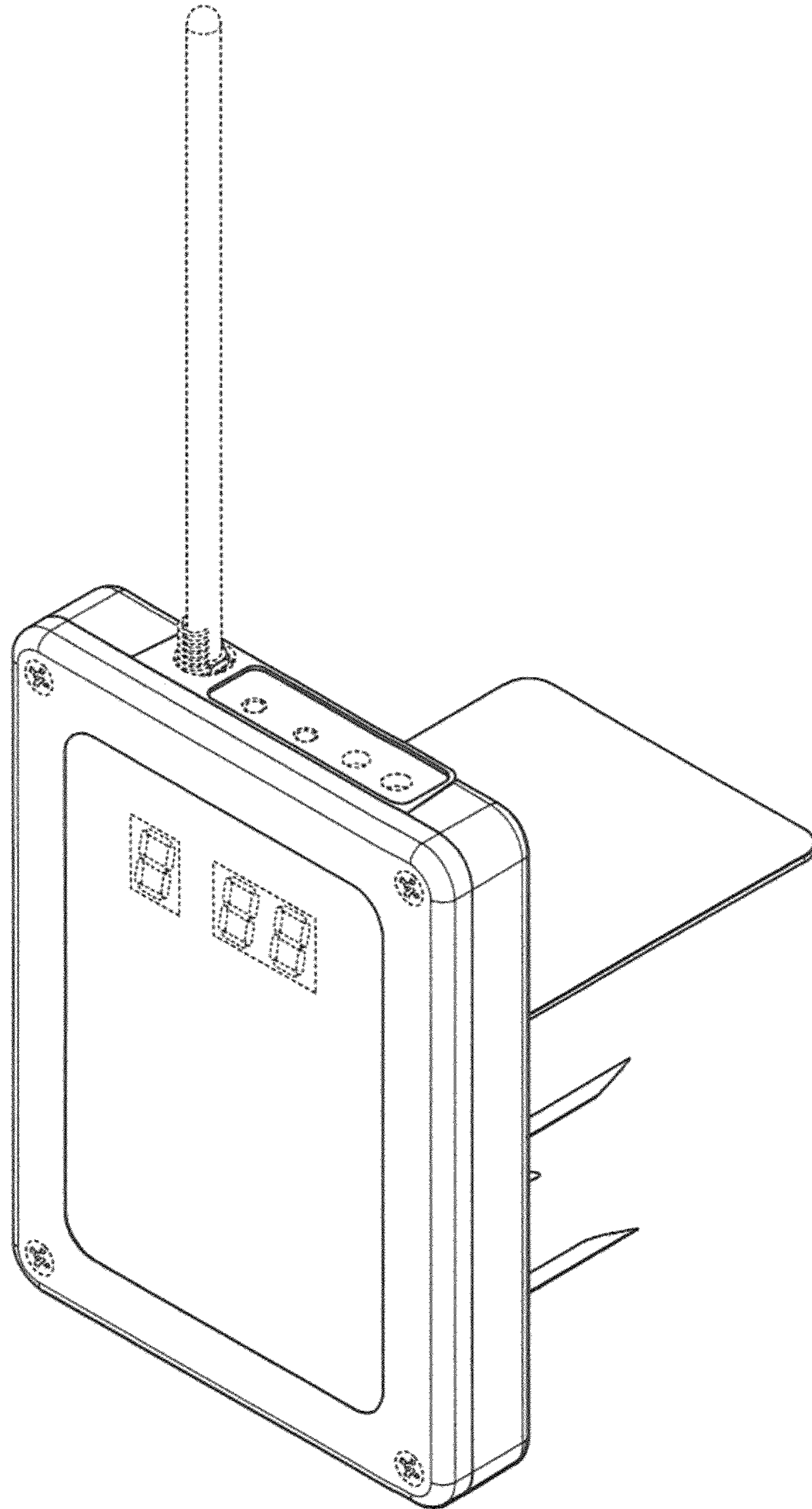


FIG. 7

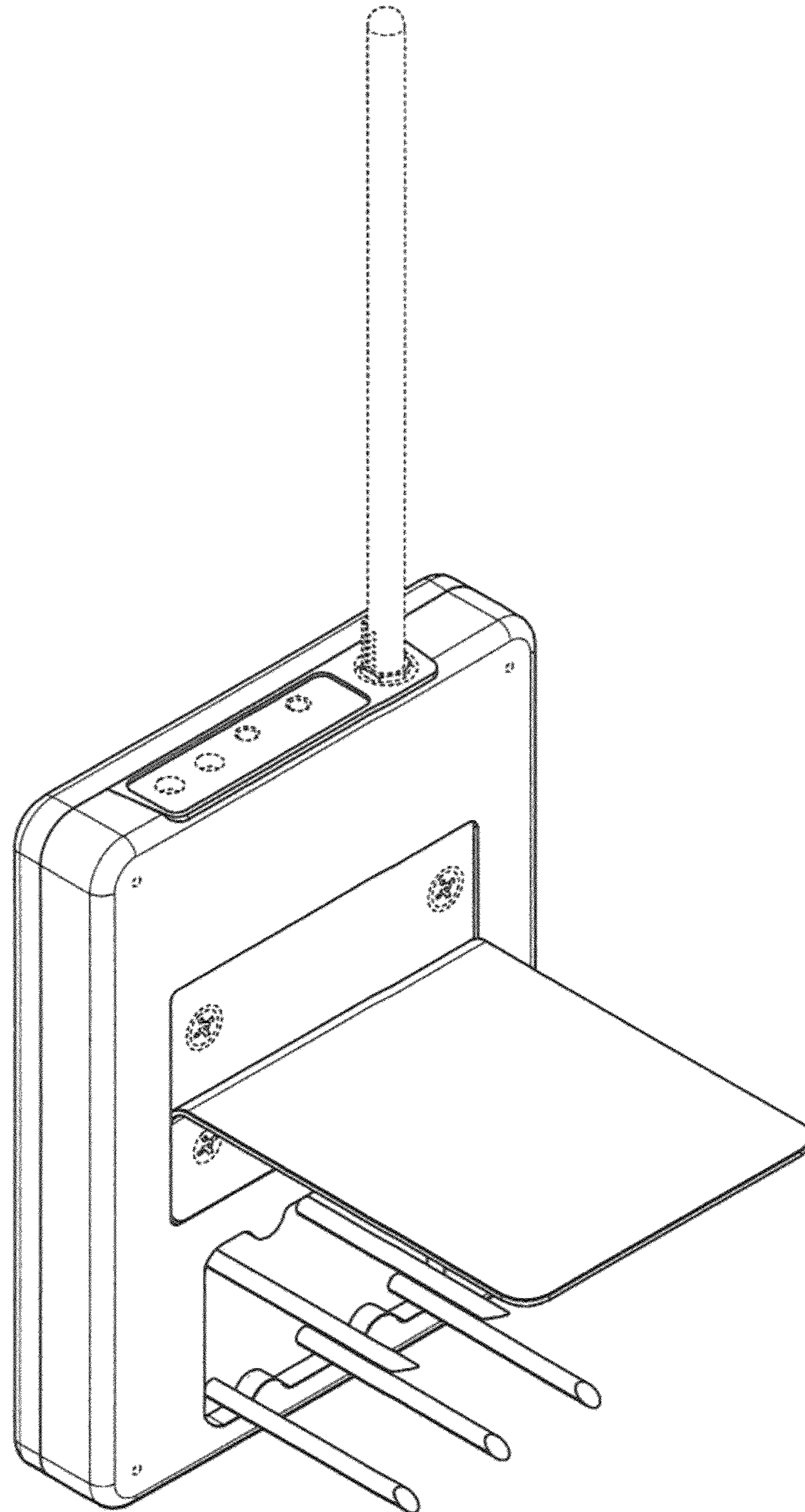


FIG. 8

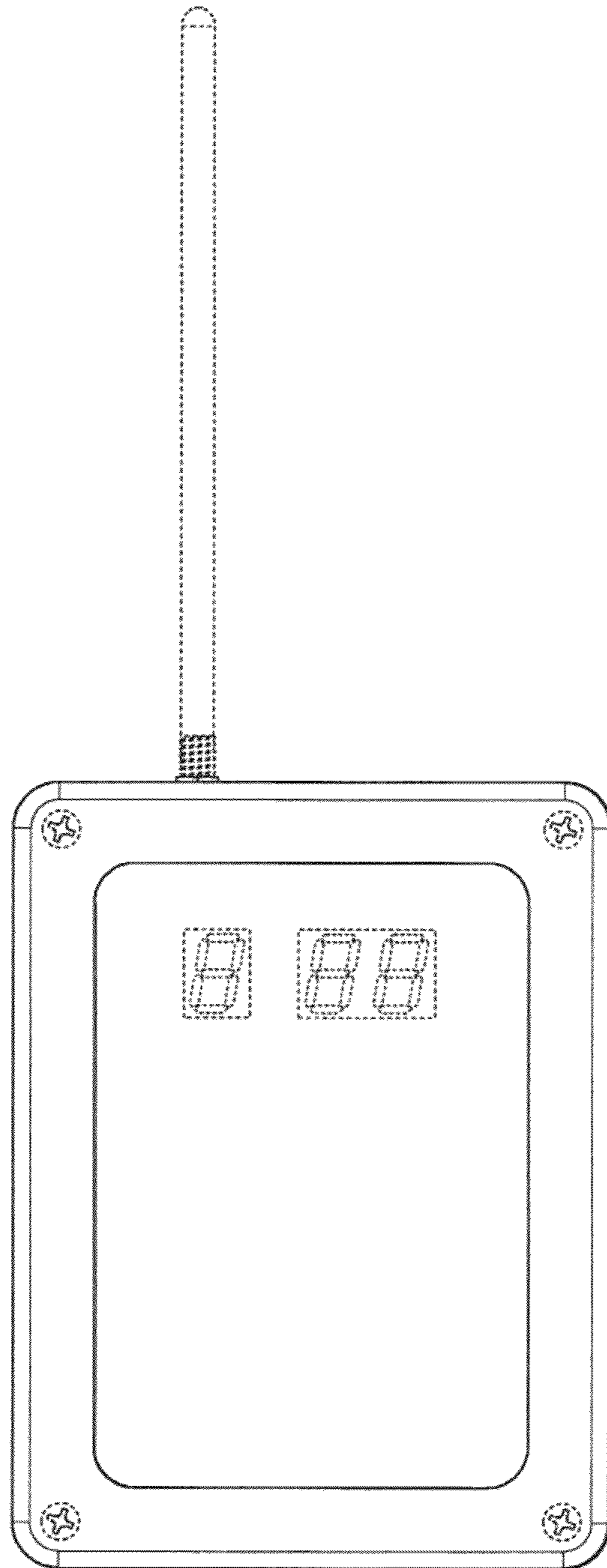


FIG. 9

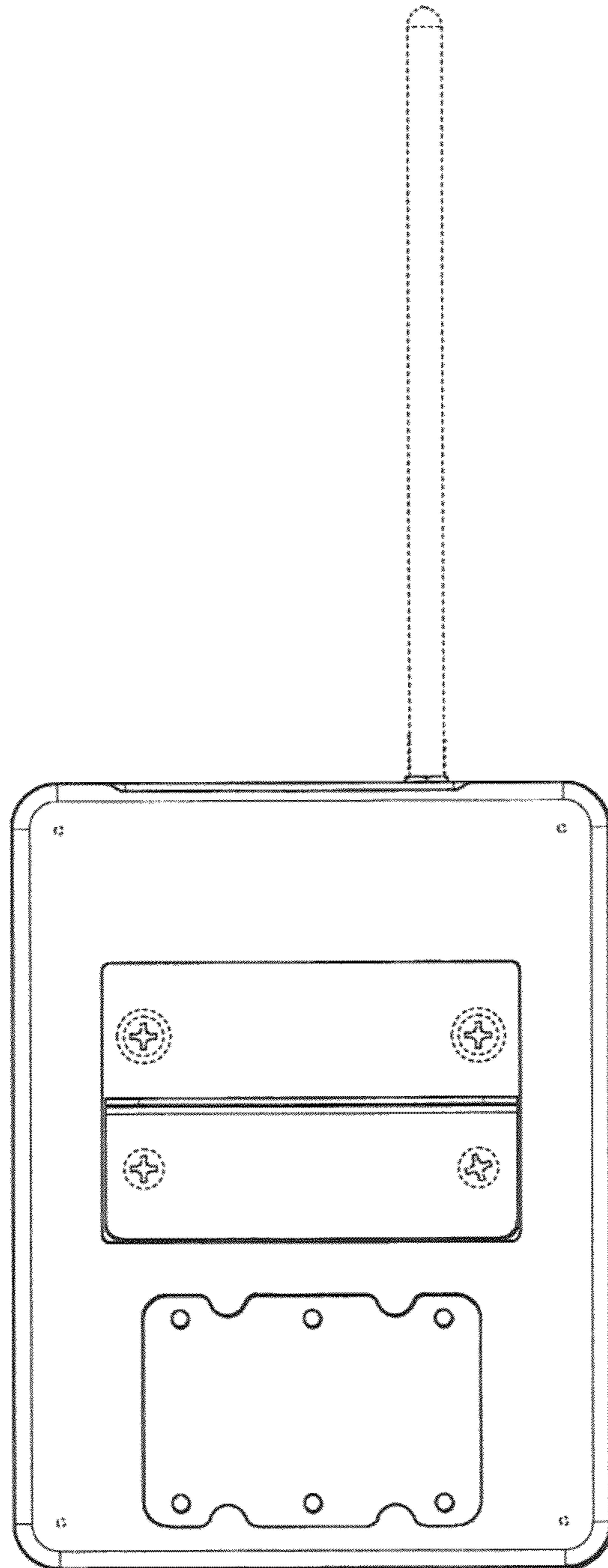


FIG. 10

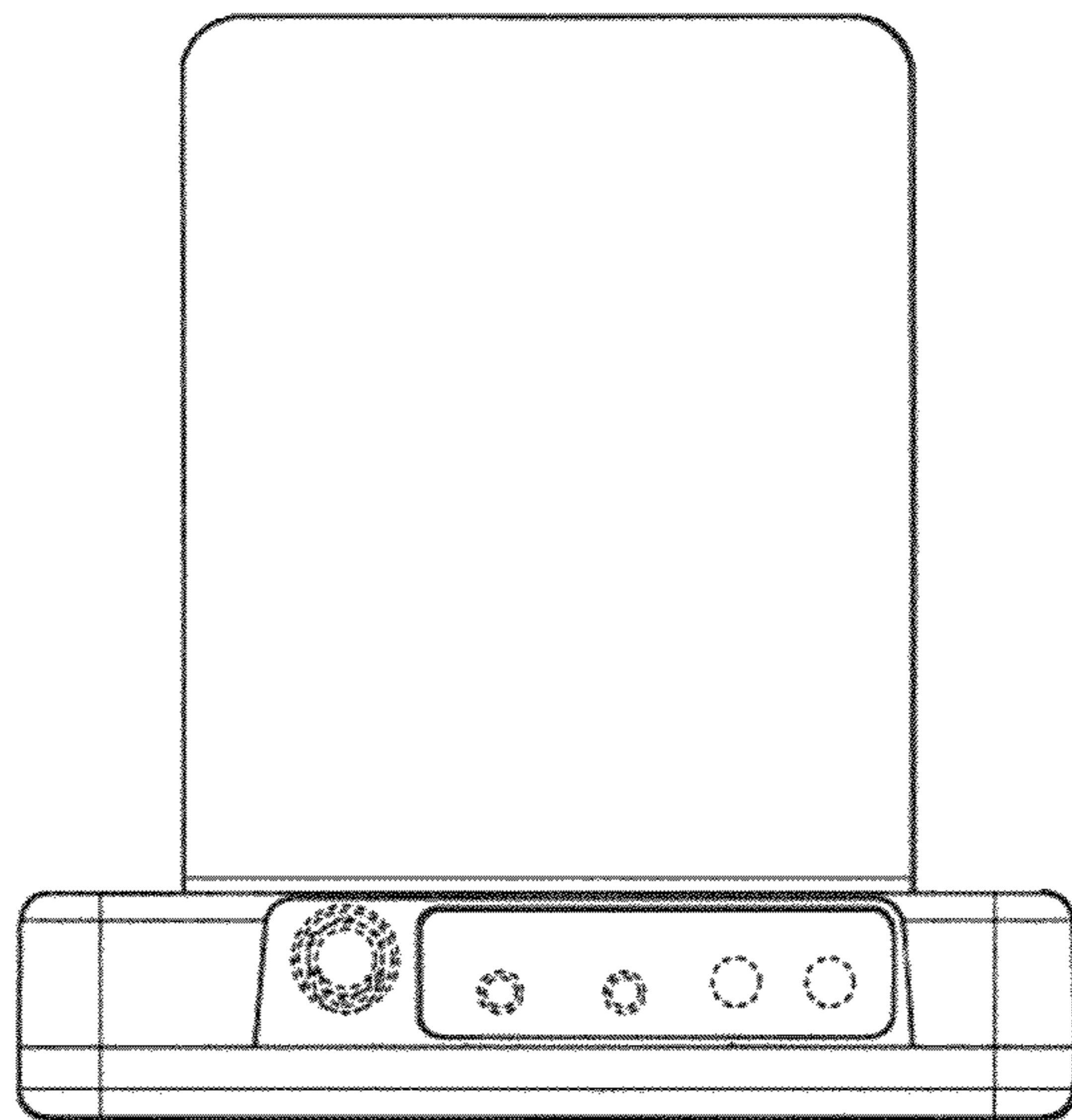


FIG. 11

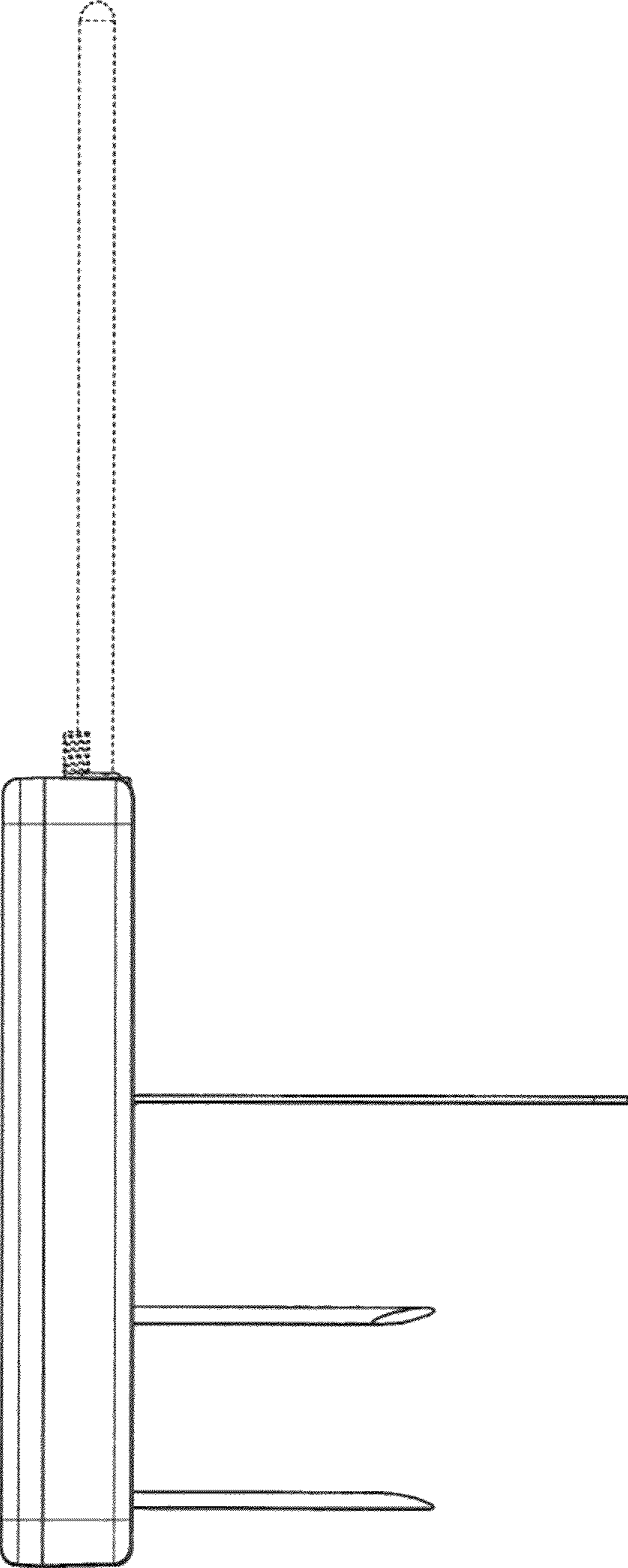


FIG. 12

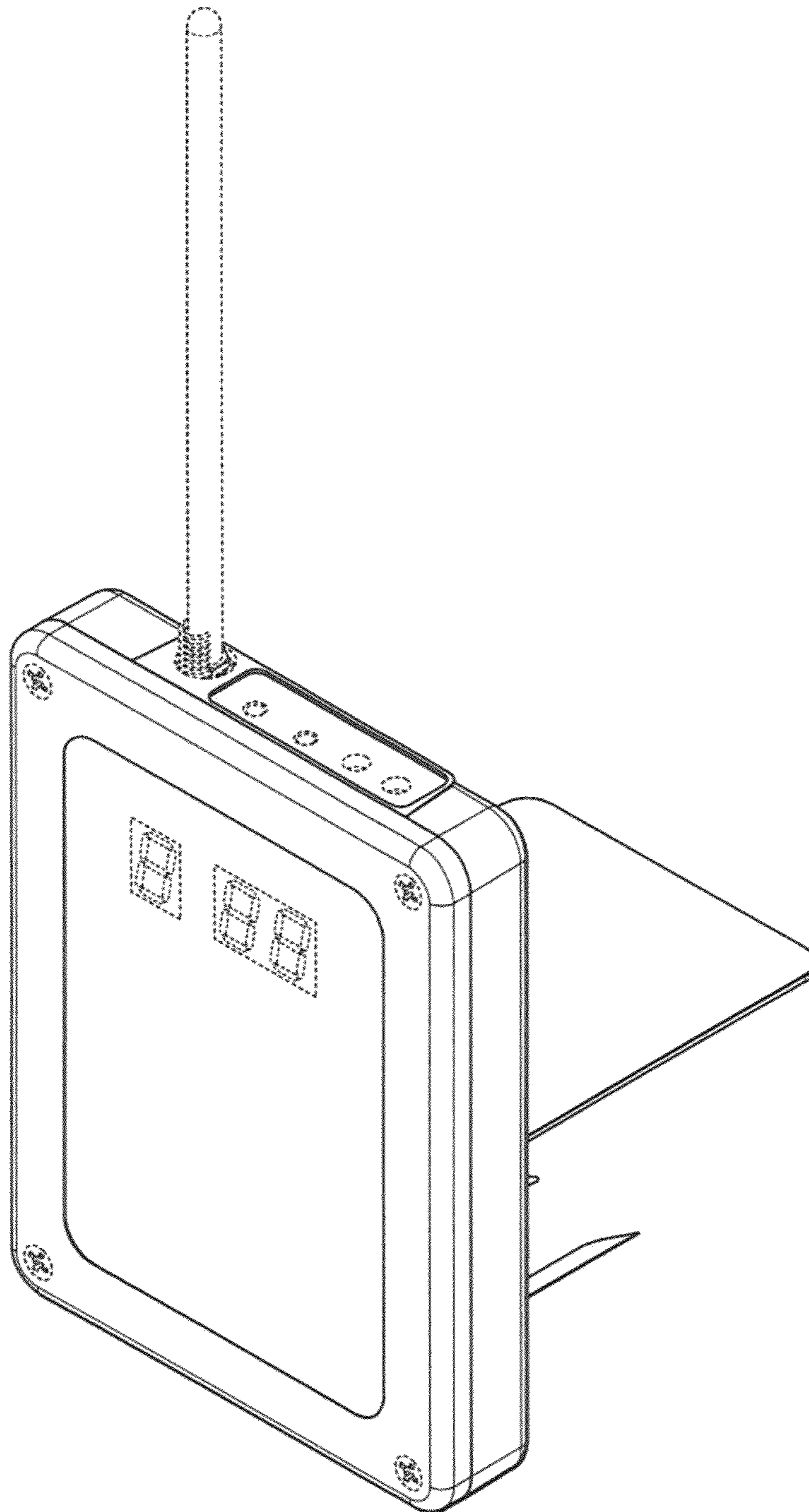


FIG. 13

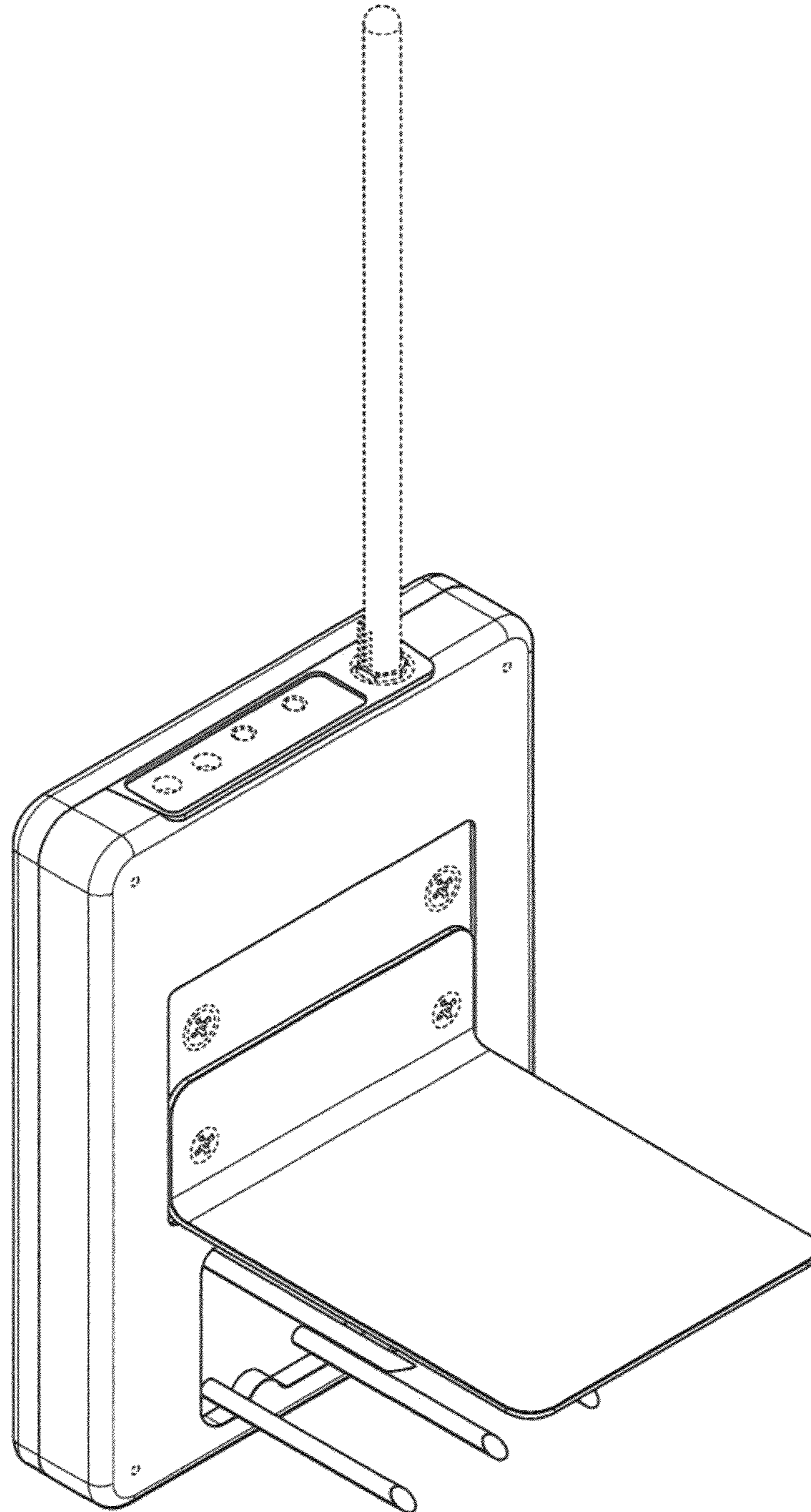


FIG. 14

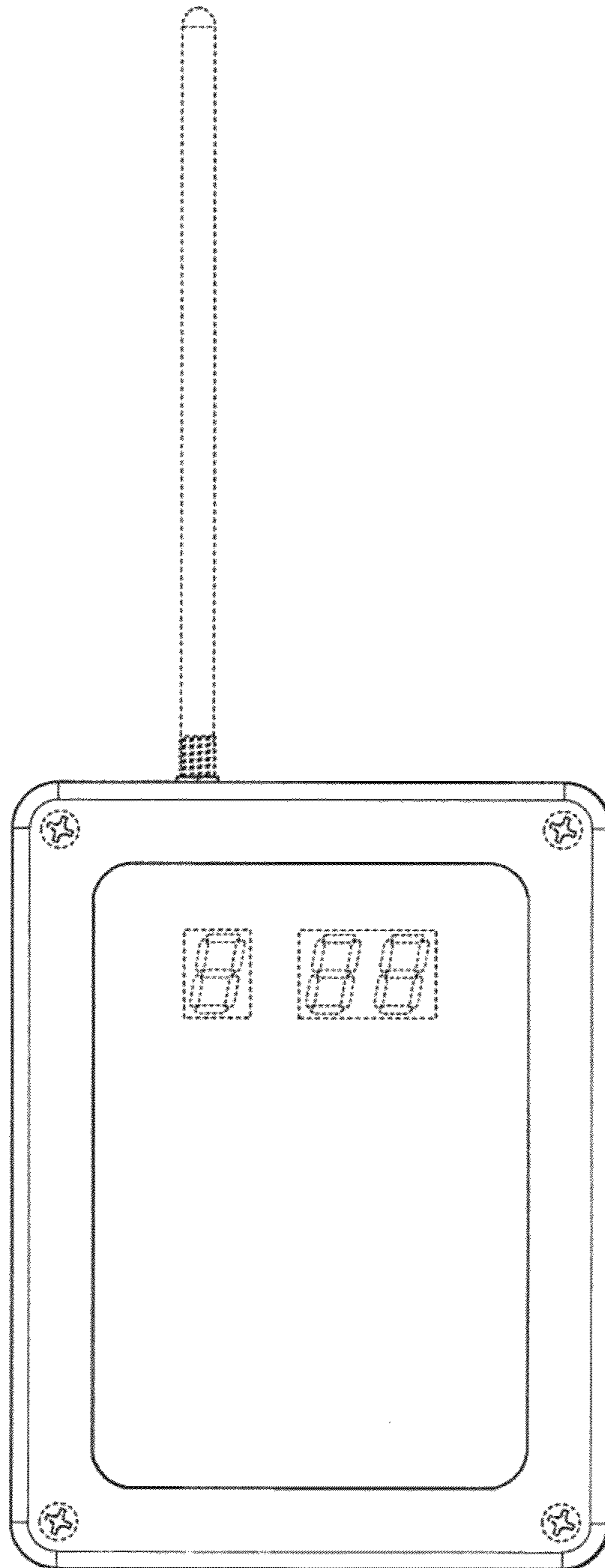


FIG. 15

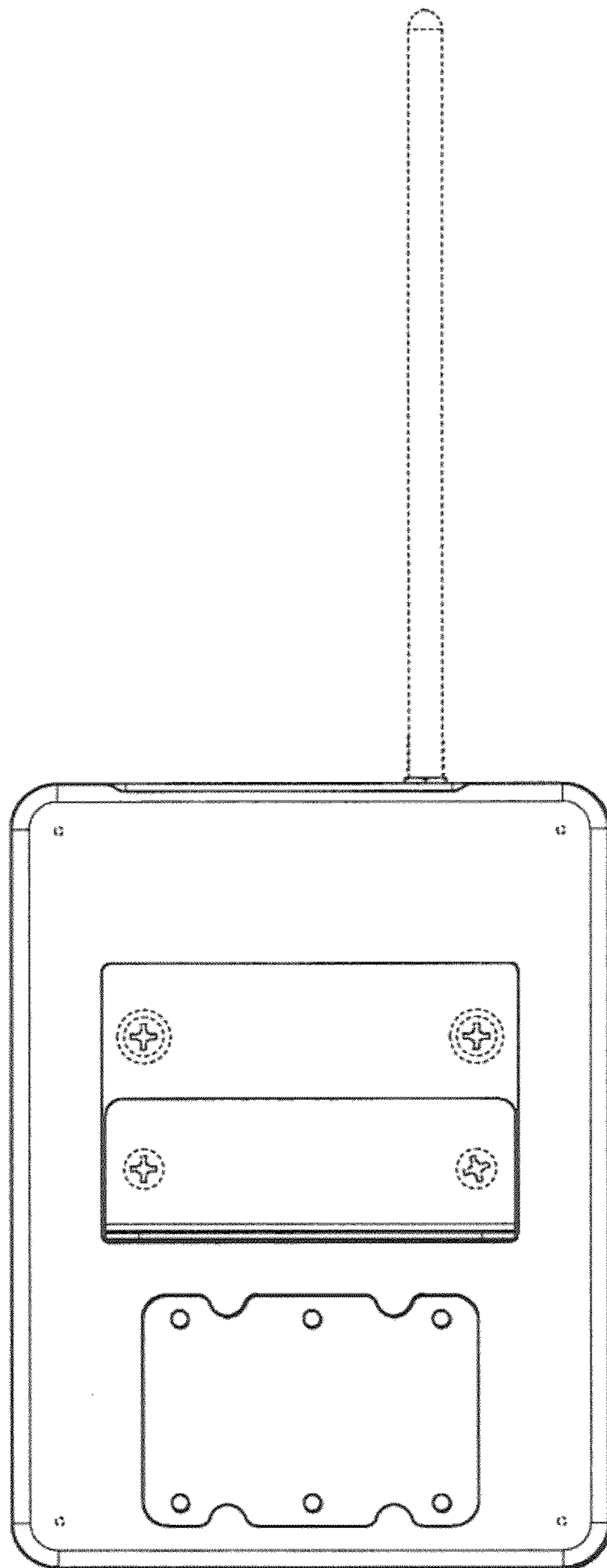


FIG. 16

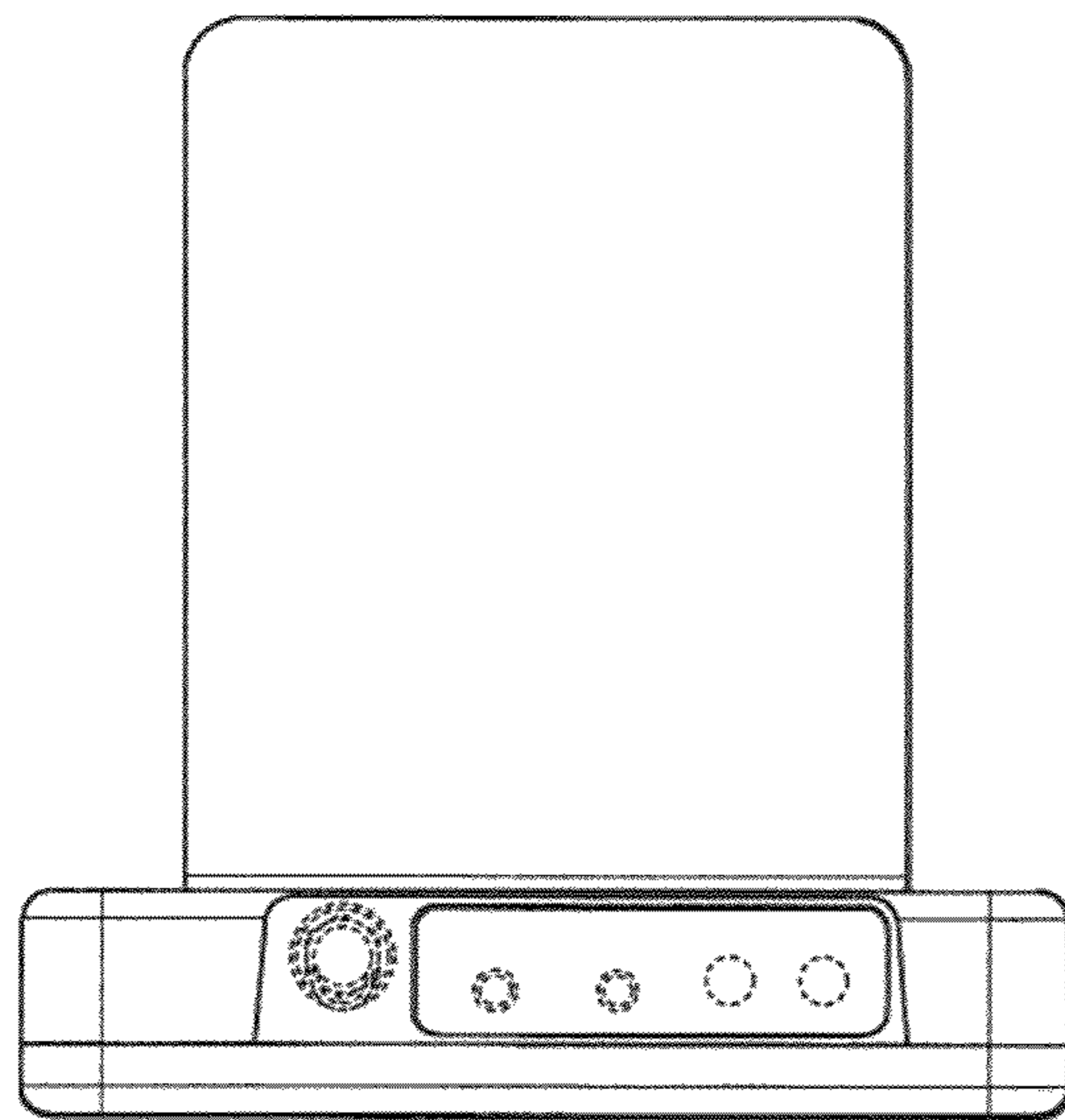


FIG. 17

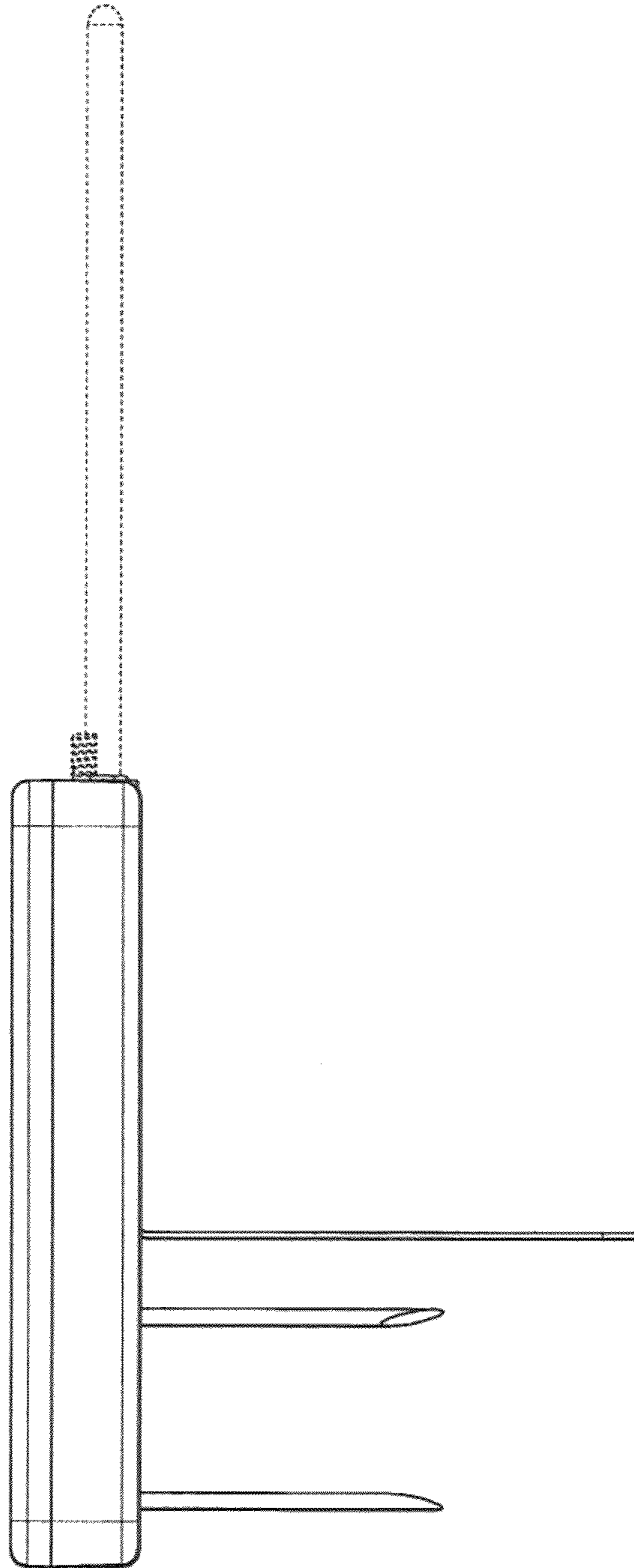


FIG. 18