



US00D733591S

(12) **United States Design Patent**
Golden et al.

(10) **Patent No.:** **US D733,591 S**
(45) **Date of Patent:** **** Jul. 7, 2015**

(54) **WALL MOUNTABLE THERMOSTAT**

(71) Applicant: **Lennox Industries Inc.**, Richardson, TX (US)

(72) Inventors: **Kyle Golden**, Richardson, TX (US);
Anubhav Ranjan, Richardson, TX (US); **Wataru Sugiyama**, Aichi (JP)

(73) Assignee: **Lennox Industries Inc.**, Richardson, TX (US)

(**) Term: **14 Years**

(21) Appl. No.: **29/515,136**

(22) Filed: **Jan. 20, 2015**

(51) **LOC (10) Cl.** **10-04**

(52) **U.S. Cl.**
USPC **D10/50**

(58) **Field of Classification Search**
USPC D10/49-50; D9/414, 432, 433;
D13/162, 168; D14/126, 336, 371,
D14/374, 389

CPC F23N 5/20; F23N 5/203; F23N 5/206;
F23N 5/18; F23N 5/184; F23N 5/187; F23N
5/22; F23N 2025/12; F23N 2041/02; F24F
11/00; F24F 11/0012; F24F 11/0009; F24F
11/001; F24F 2011/0057; F24F 2011/0073;
F24F 2011/0091

See application file for complete search history.

(56) **References Cited**

U.S. PATENT DOCUMENTS

D261,234 S * 10/1981 Abraham D9/432
D272,857 S * 2/1984 Leach D25/68
D387,982 S * 12/1997 Kaplan D9/423
D390,295 S * 2/1998 Burrows D21/752
D568,257 S * 5/2008 Tatsuyama et al. D13/162

D582,800 S * 12/2008 Comerford et al. D10/50
D582,801 S * 12/2008 Comerford et al. D10/50
D582,802 S * 12/2008 Branson et al. D10/50
D582,803 S * 12/2008 Comerford et al. D10/50
7,533,816 B2 * 5/2009 Lapstun et al. 235/454
D601,353 S * 10/2009 Sadler et al. D6/308
D622,513 S * 8/2010 Tang et al. D6/308
7,852,320 B2 * 12/2010 Motoe et al. 345/158
D630,169 S * 1/2011 Nakai et al. D13/168
D640,992 S * 7/2011 Margolin et al. D13/162
D662,094 S * 6/2012 Mack et al. D14/388
D678,218 S * 3/2013 Sheen D13/168
D687,388 S * 8/2013 Baumgartner et al. D13/162
D694,718 S * 12/2013 Baumgartner et al. D13/168
D695,410 S * 12/2013 Becker D24/186
D696,636 S * 12/2013 Sakai D13/168
D711,837 S * 8/2014 Clymer et al. D13/162
D724,035 S * 3/2015 Flowers et al. D13/162
D727,271 S * 4/2015 Shi et al. D13/162

* cited by examiner

Primary Examiner — Antoine D Davis

(74) *Attorney, Agent, or Firm* — R. Johnston Law, PLLC

(57) **CLAIM**

The ornamental design for “a wall mountable thermostat,” as shown and described.

DESCRIPTION

FIG. 1 is a front perspective view of the wall mountable thermostat;

FIG. 2 is a front view of the wall mountable thermostat;

FIG. 3 is a back view of the wall mountable thermostat;

FIG. 4 is a right side view of the wall mountable thermostat;

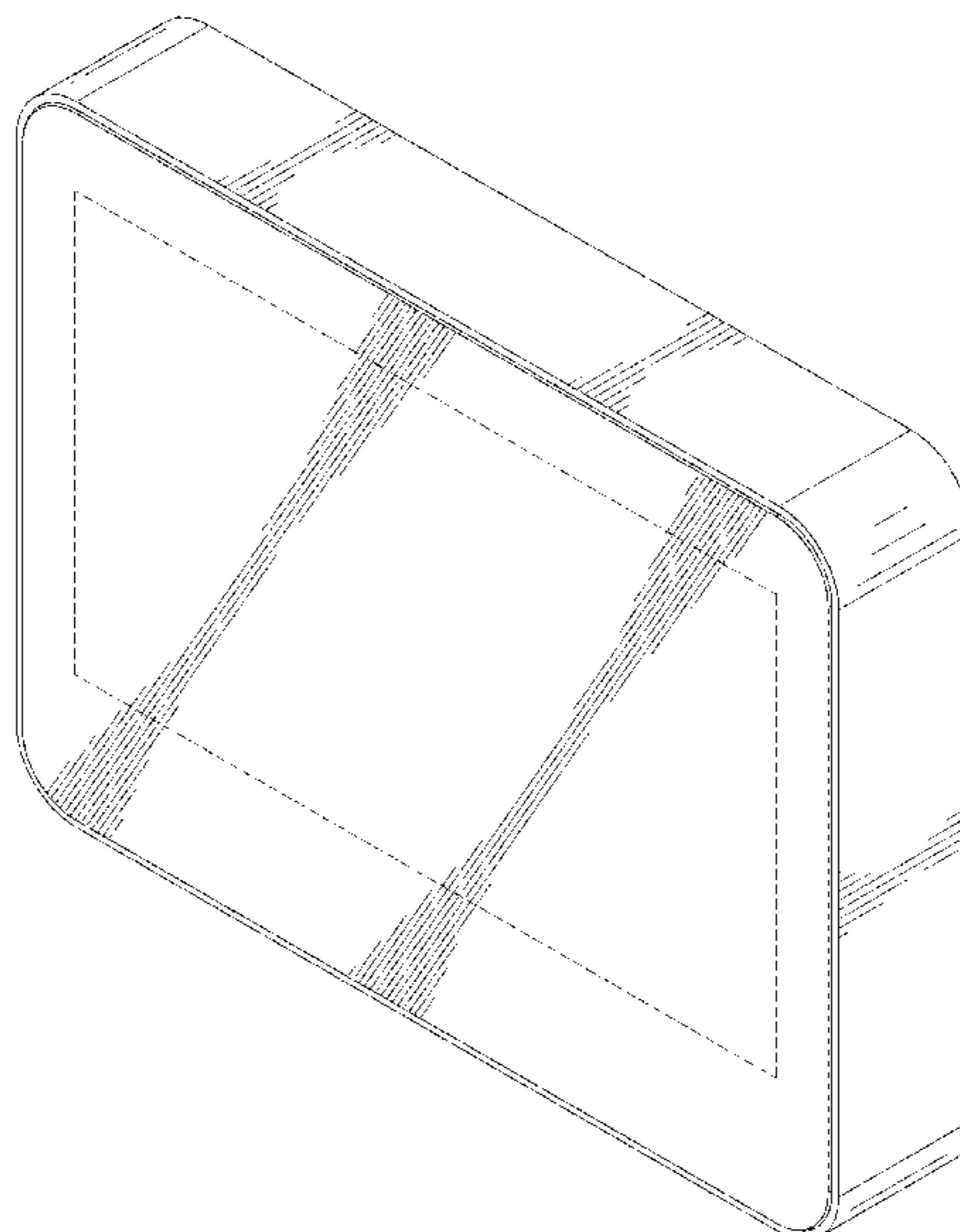
FIG. 5 is a left side view of the wall mountable thermostat;

FIG. 6 is a top view of the wall mountable thermostat;

FIG. 7 is a bottom view of the wall mountable thermostat; and,

FIG. 8 is an environmental view of the wall mountable thermostat.

1 Claim, 6 Drawing Sheets



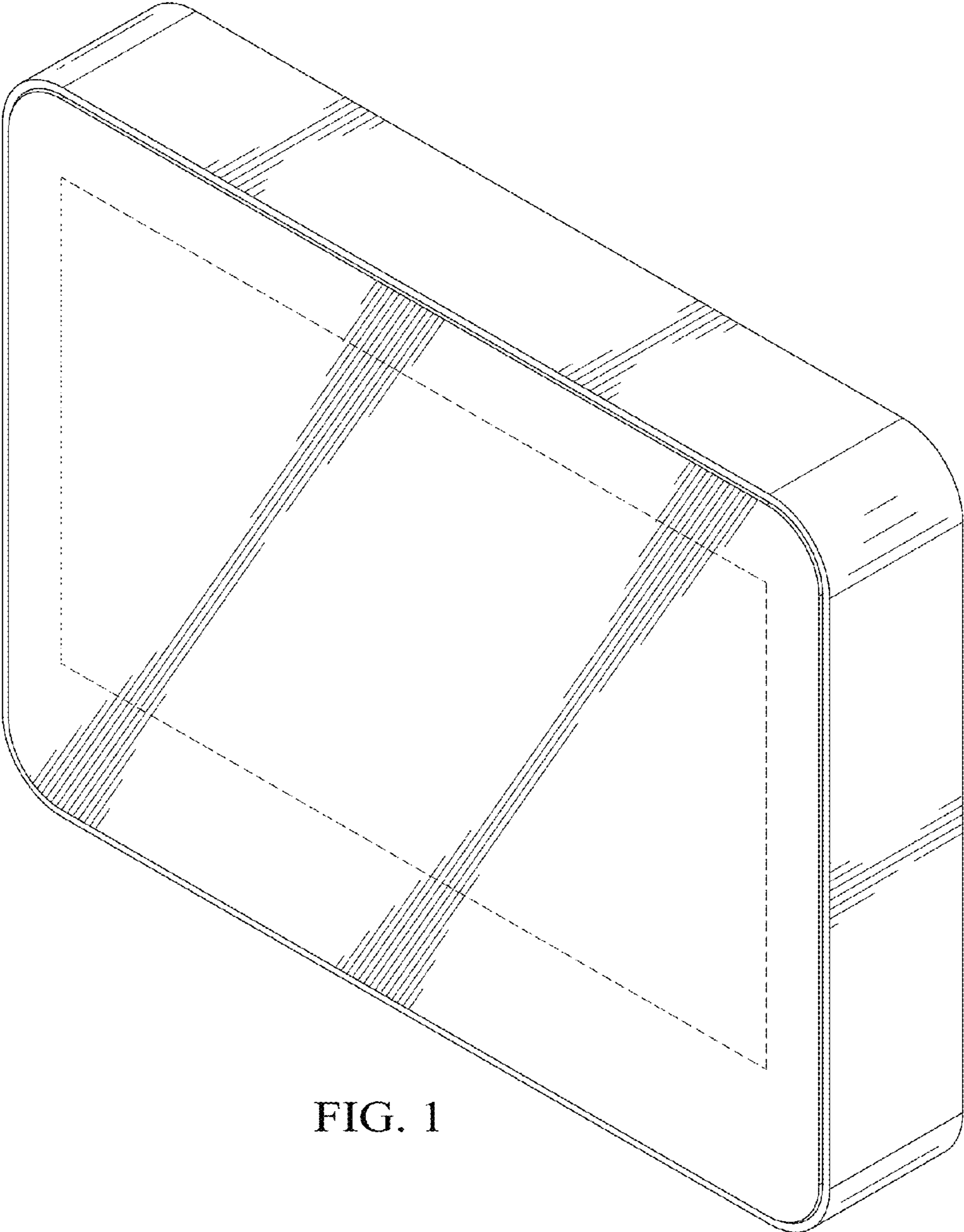


FIG. 1

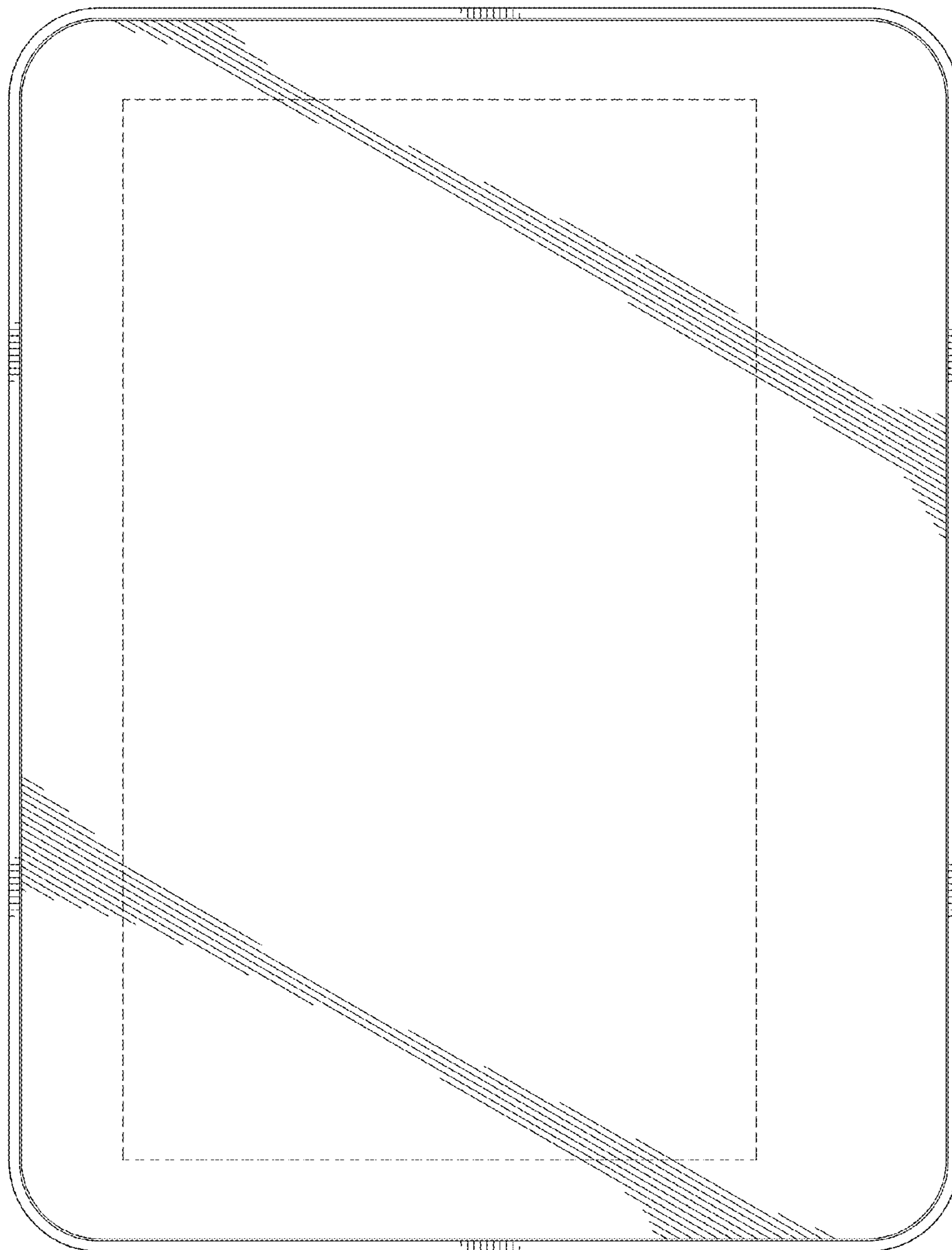


FIG. 2

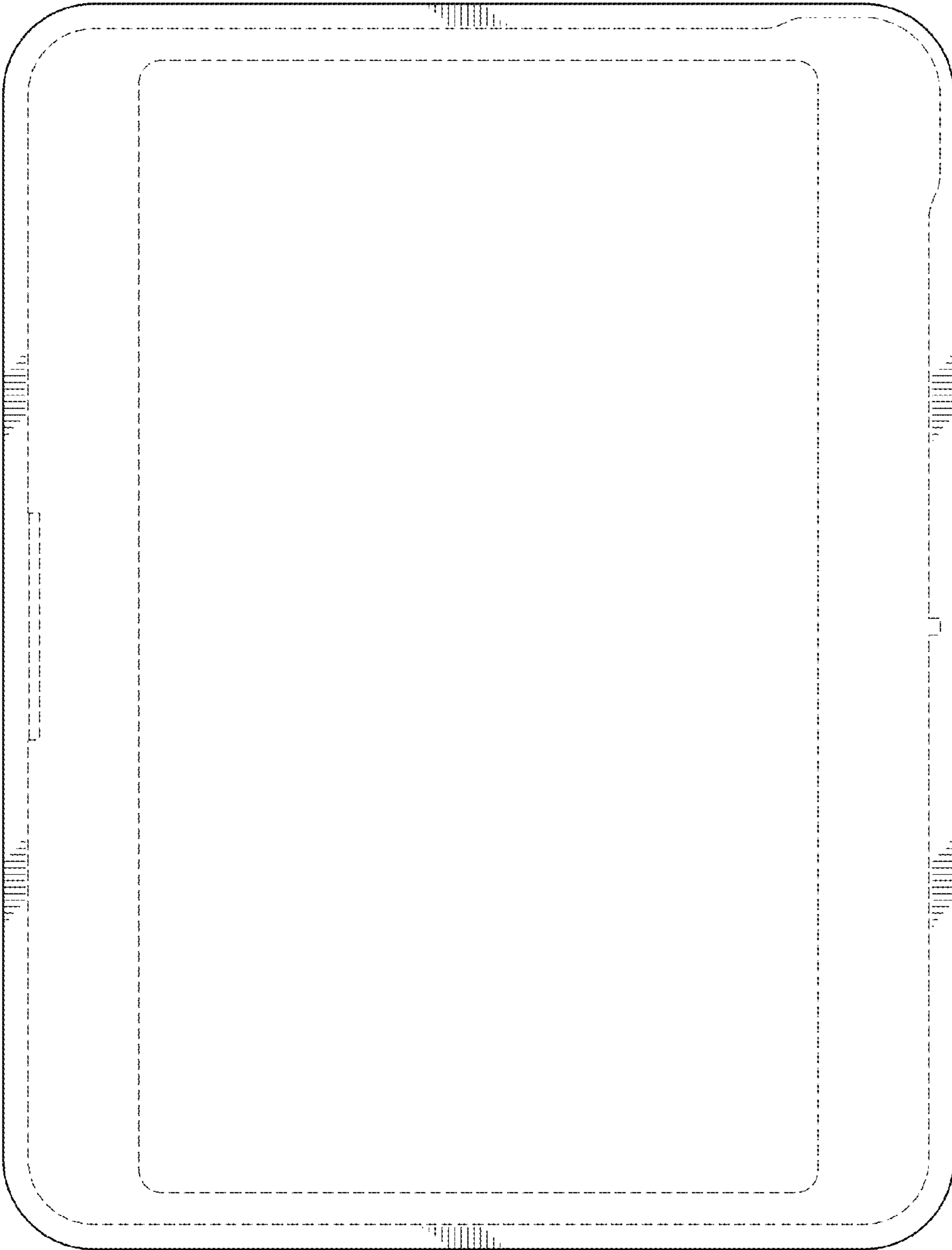


FIG. 3

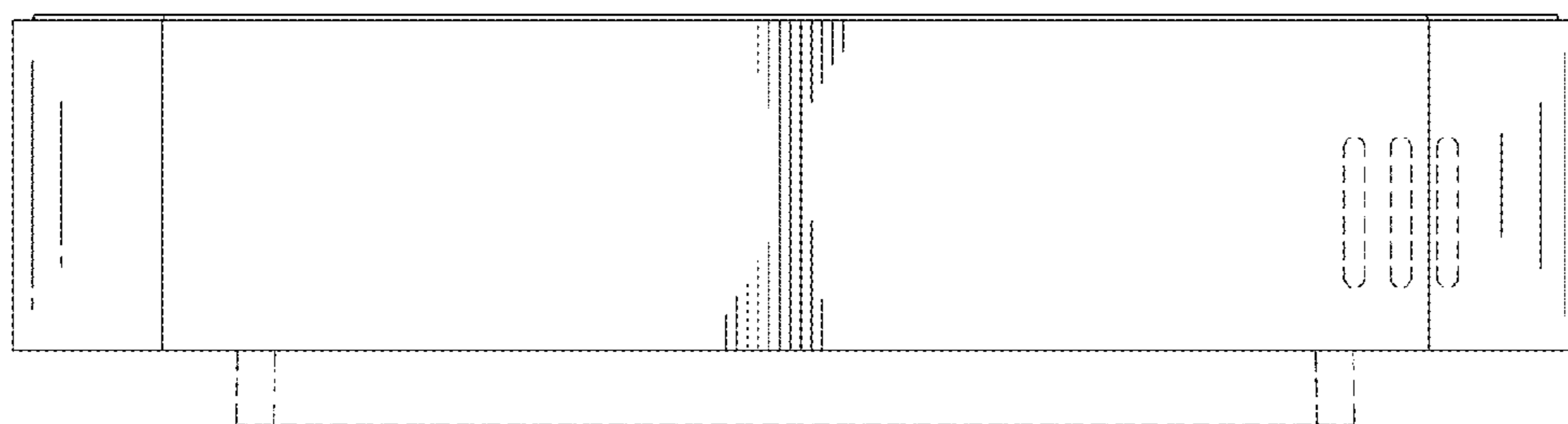


FIG. 5

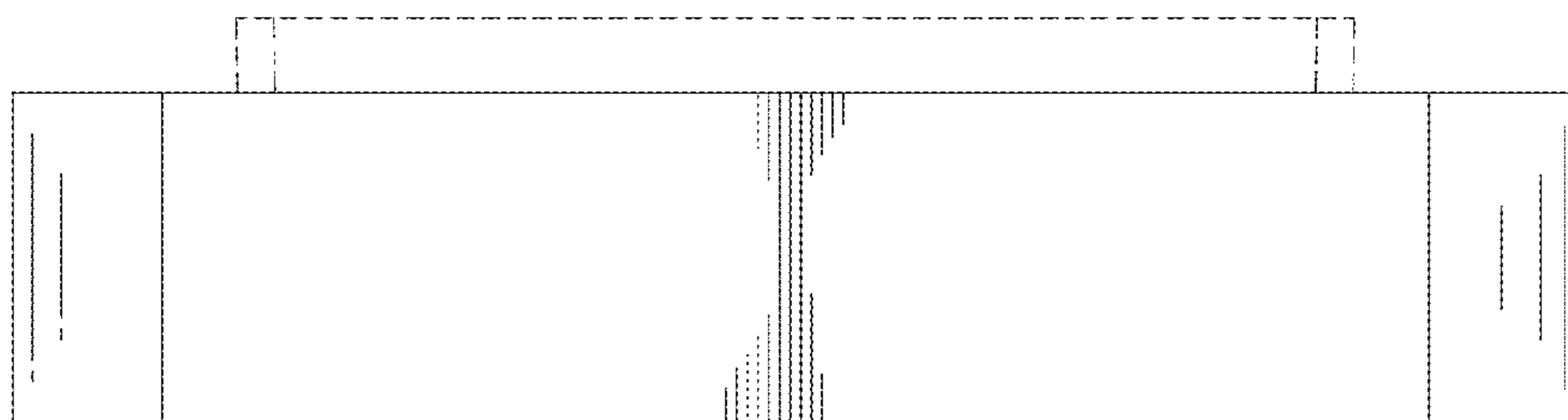


FIG. 4

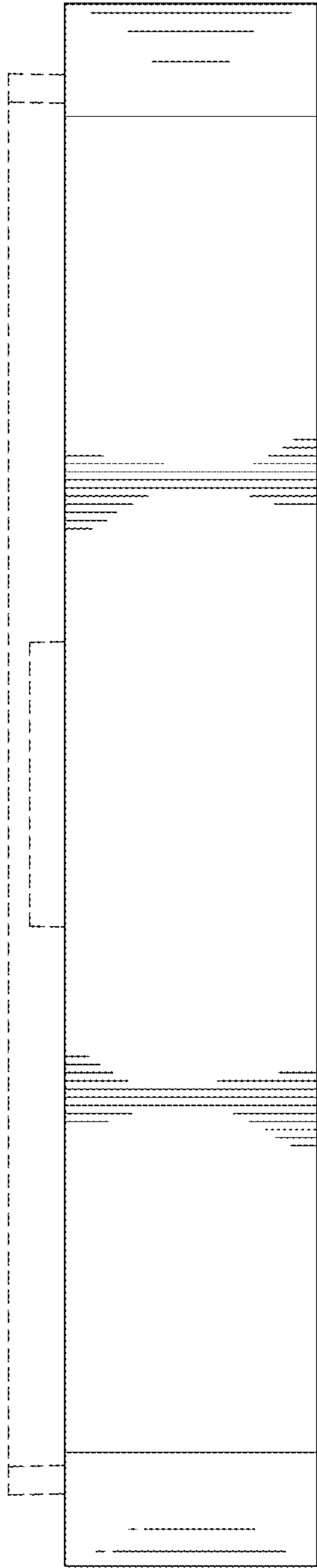


FIG. 6

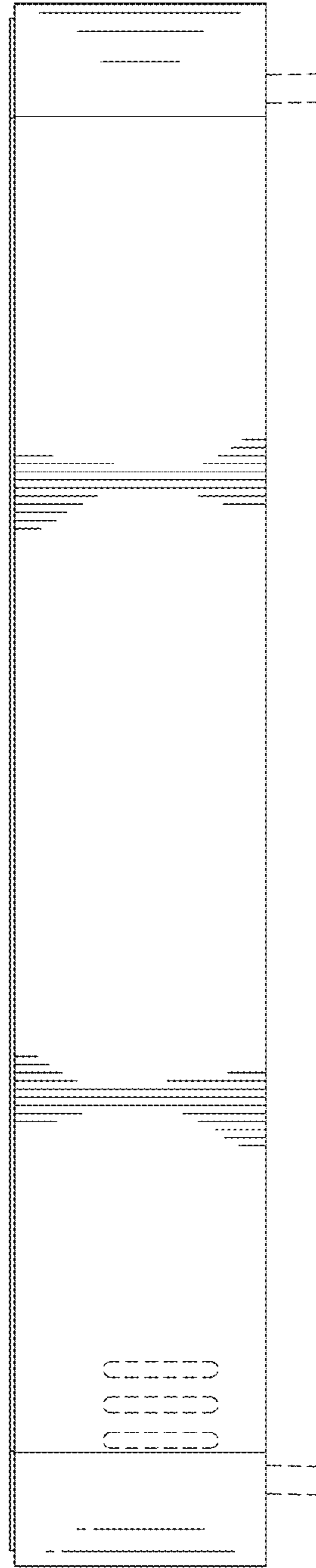


FIG. 7

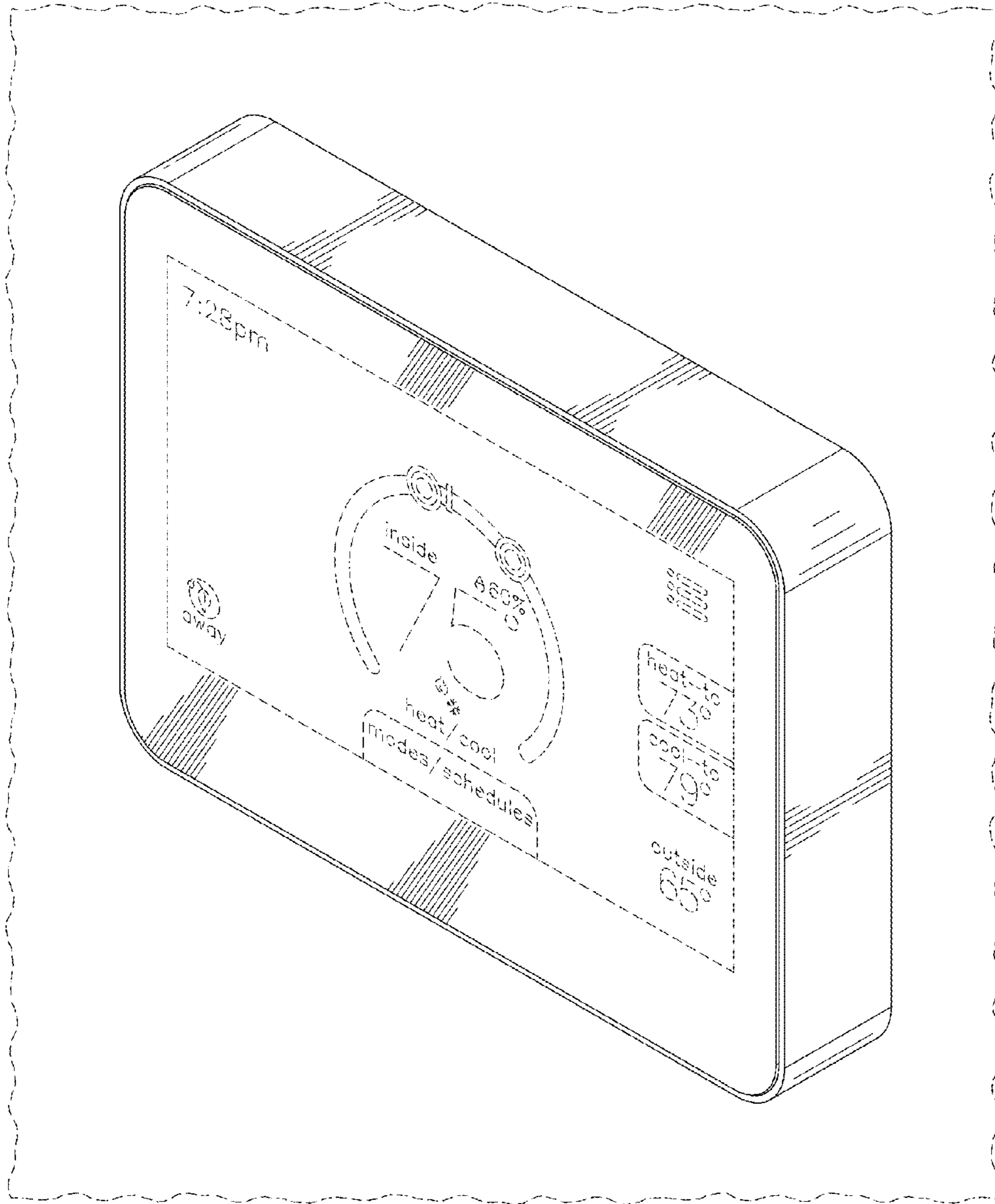


FIG. 8