



US00D733590S

(12) **United States Design Patent**
Primiani et al.

(10) **Patent No.:** **US D733,590 S**

(45) **Date of Patent:** **** Jul. 7, 2015**

(54) **ENVIRONMENT CONTROL HOUSING AND FACEPLATE**

D648,641 S * 11/2011 Wallaert et al. D10/50
D648,642 S * 11/2011 Wallaert et al. D10/50
D684,872 S * 6/2013 Bias et al. D10/49

(71) Applicant: **Schneider Electric Industries SAS**,
Rueil-Malmaison (FR)

* cited by examiner

(72) Inventors: **Paolo Primiani**, Laval (CA); **Theodore Giouzelis**, Montreal (CA)

Primary Examiner — Antoine D Davis

(74) *Attorney, Agent, or Firm* — Cooley LLP

(73) Assignee: **Schneider Electric Industries SAS** (FR)

(57) **CLAIM**

The ornamental design for an environment control housing and faceplate, as shown and described.

(**) Term: **14 Years**

(21) Appl. No.: **29/500,845**

DESCRIPTION

(22) Filed: **Aug. 28, 2014**

Related U.S. Application Data

(63) Continuation of application No. 29/483,668, filed on Feb. 28, 2014.

(51) **LOC (10) Cl.** **10-04**

(52) **U.S. Cl.**
USPC **D10/50**

(58) **Field of Classification Search**
USPC D10/49–50
CPC F23N 5/20; F23N 5/203; F23N 5/206;
F23N 5/18; F23N 5/184; F23N 5/187; F23N
5/22; F23N 2025/12; F23N 2041/02; F24F
11/00; F24F 11/0012; F24F 11/0009; F24F
11/001; F24F 2011/0057; F24F 2011/0073;
F24F 2011/0091

See application file for complete search history.

(56) **References Cited**

U.S. PATENT DOCUMENTS

D509,151 S * 9/2005 Takach et al. D10/50
D518,744 S * 4/2006 Rosen D10/50
D556,061 S * 11/2007 Rosen D10/50
D582,802 S * 12/2008 Branson et al. D10/50
D614,975 S * 5/2010 Fisher D10/50
D642,081 S * 7/2011 Kashimoto D10/49
D643,318 S * 8/2011 Morrow D10/50
D646,187 S * 10/2011 Edgar D10/50

FIG. 1 is a front bottom right perspective view of an environment control housing and faceplate according to a first embodiment;

FIG. 2 is a front view thereof;

FIG. 3 is a rear view thereof;

FIG. 4 is a left side view thereof;

FIG. 5 is a right side view thereof;

FIG. 6 is a top view thereof;

FIG. 7 is a bottom view thereof;

FIG. 8 is a front bottom right perspective view of an environment control housing and faceplate according to a second embodiment;

FIG. 9 is a front view thereof;

FIG. 10 is a rear view thereof;

FIG. 11 is a left side view thereof;

FIG. 12 is a right side view thereof;

FIG. 13 is a top view thereof;

FIG. 14 is a bottom view thereof;

FIG. 15 is a front bottom right perspective view of an environment control housing and faceplate, the faceplate and housing separated, according to a third embodiment;

FIG. 16 is a front view thereof;

FIG. 17 is a rear view thereof;

FIG. 18 is a left side view thereof;

FIG. 19 is a right side view thereof;

FIG. 20 is a top view thereof;

FIG. 21 is a bottom view thereof;

FIG. 22 is a front bottom right perspective view of an environment control faceplate according to a fourth embodiment;

FIG. 23 is a front view thereof;

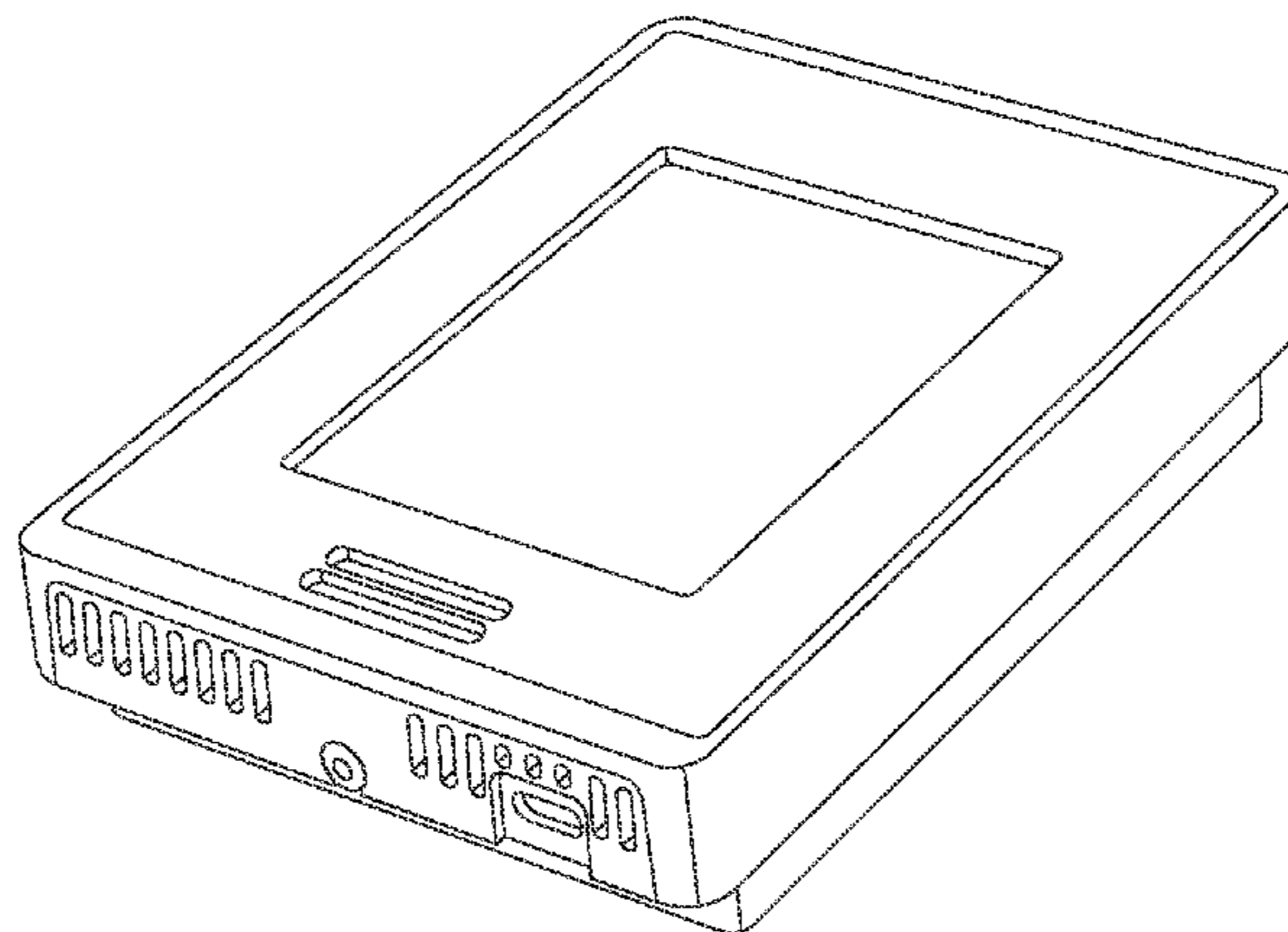


FIG. 24 is a rear view thereof;
FIG. 25 is a left side view thereof;
FIG. 26 is a right side view thereof;
FIG. 27 is a top view thereof;
FIG. 28 is a bottom view thereof;
FIG. 29 is a front bottom right perspective view of an environment control housing according to a fifth embodiment;
FIG. 30 is a front view thereof;
FIG. 31 is a rear view thereof;
FIG. 32 is a left side view thereof;
FIG. 33 is a right side view thereof;
FIG. 34 is a top view thereof;
FIG. 35 is a bottom view thereof;
FIG. 36 is a front bottom right perspective view of an environment control housing and faceplate, the faceplate and housing separated, according to a sixth embodiment;
FIG. 37 is a front view thereof;
FIG. 38 is a rear view thereof;
FIG. 39 is a left side view thereof;
FIG. 40 is a right side view thereof;
FIG. 41 is a top view thereof;
FIG. 42 is a bottom view thereof;
FIG. 43 is a front bottom right perspective view of an environment control housing and faceplate, the faceplate and housing separated, according to a sixth embodiment;
FIG. 44 is a front view thereof;
FIG. 45 is a rear view thereof;
FIG. 46 is a left side view thereof;
FIG. 47 is a right side view thereof;
FIG. 48 is a top view thereof;
FIG. 49 is a bottom view thereof;
FIG. 50 is a front bottom right perspective view of an environment control faceplate according to a seventh embodiment;
FIG. 51 is a front view thereof;
FIG. 52 is a rear view thereof;
FIG. 53 is a left side view thereof;
FIG. 54 is a right side view thereof;

FIG. 55 is a top view thereof;
FIG. 56 is a bottom view thereof;
FIG. 57 is a front bottom right perspective view of an environment control housing according to an eighth embodiment;
FIG. 58 is a front view thereof;
FIG. 59 is a rear view thereof;
FIG. 60 is a left side view thereof;
FIG. 61 is a right side view thereof;
FIG. 62 is a top view thereof;
FIG. 63 is a bottom view thereof;
FIG. 64 is a front bottom right perspective view of an environment control housing and faceplate, the faceplate and housing separated, according to a ninth embodiment;
FIG. 65 is a front view thereof;
FIG. 66 is a left side view thereof;
FIG. 67 is a right side view thereof;
FIG. 68 is a top view thereof;
FIG. 69 is a bottom view thereof;
FIG. 70 is a front bottom right perspective view of an environment control faceplate according to a tenth embodiment;
FIG. 71 is a front view thereof;
FIG. 72 is a rear view thereof;
FIG. 73 is a left side view thereof;
FIG. 74 is a right side view thereof;
FIG. 75 is a top view thereof;
FIG. 76 is a bottom view thereof;
FIG. 77 is a front bottom right perspective view of an environment control housing according to an eleventh embodiment;
FIG. 78 is a front view thereof;
FIG. 79 is a rear view thereof;
FIG. 80 is a left side view thereof;
FIG. 81 is a right side view thereof;
FIG. 82 is a top view thereof; and,
FIG. 83 is a bottom view thereof.
The portions depicted in broken lines are for illustrative purposes only and form no part of the claimed design.

1 Claim, 67 Drawing Sheets

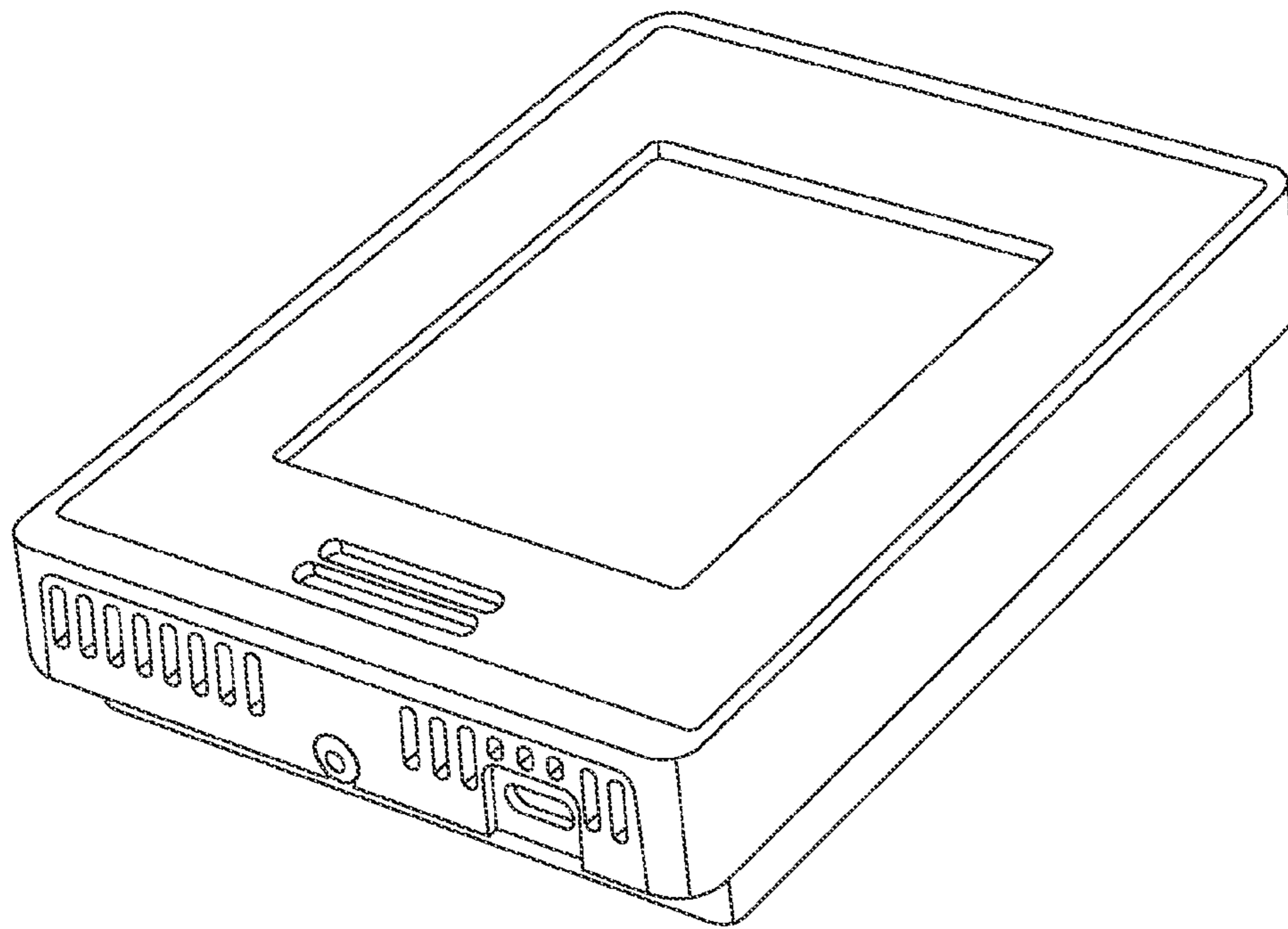


FIG.1

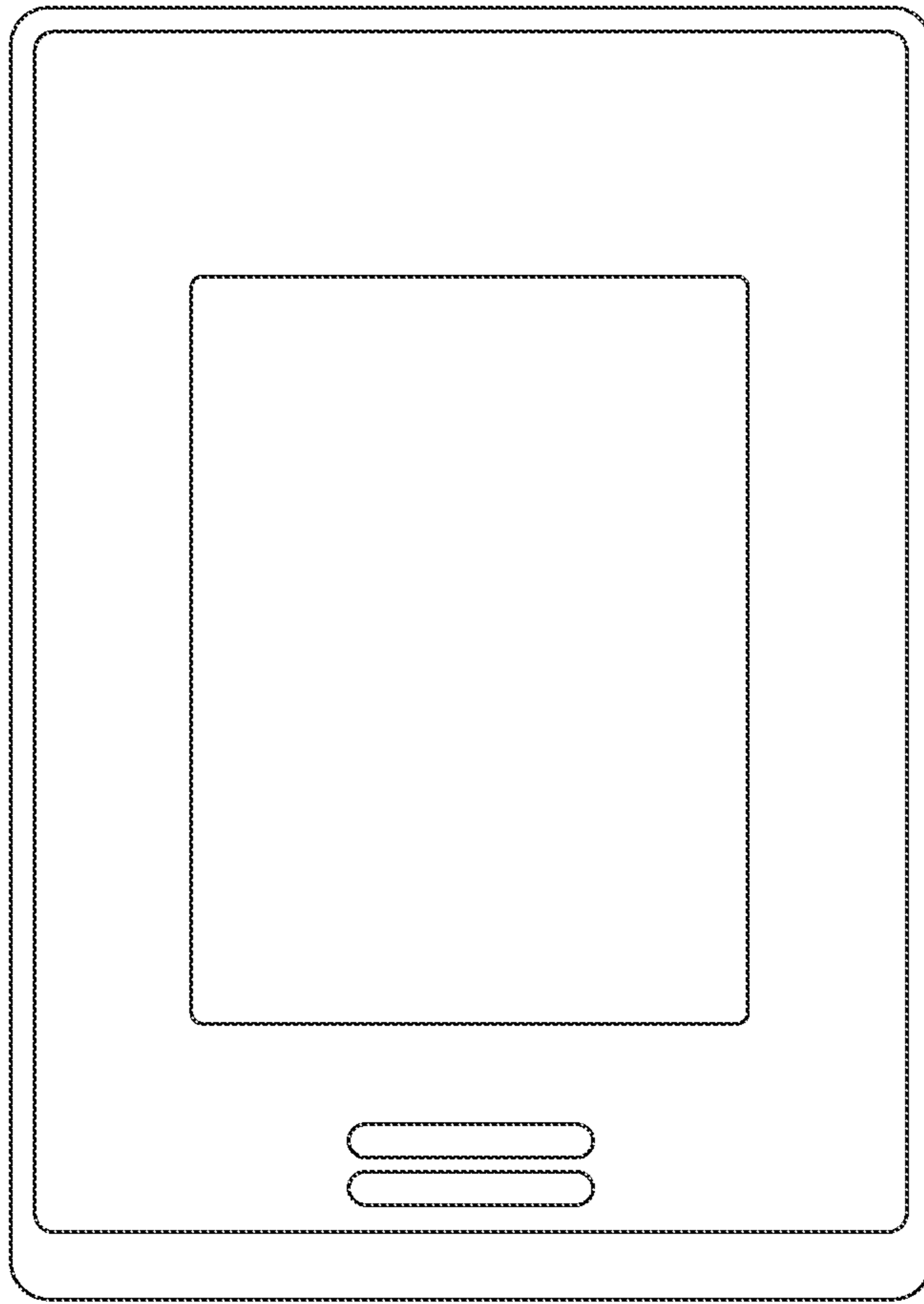


FIG. 2

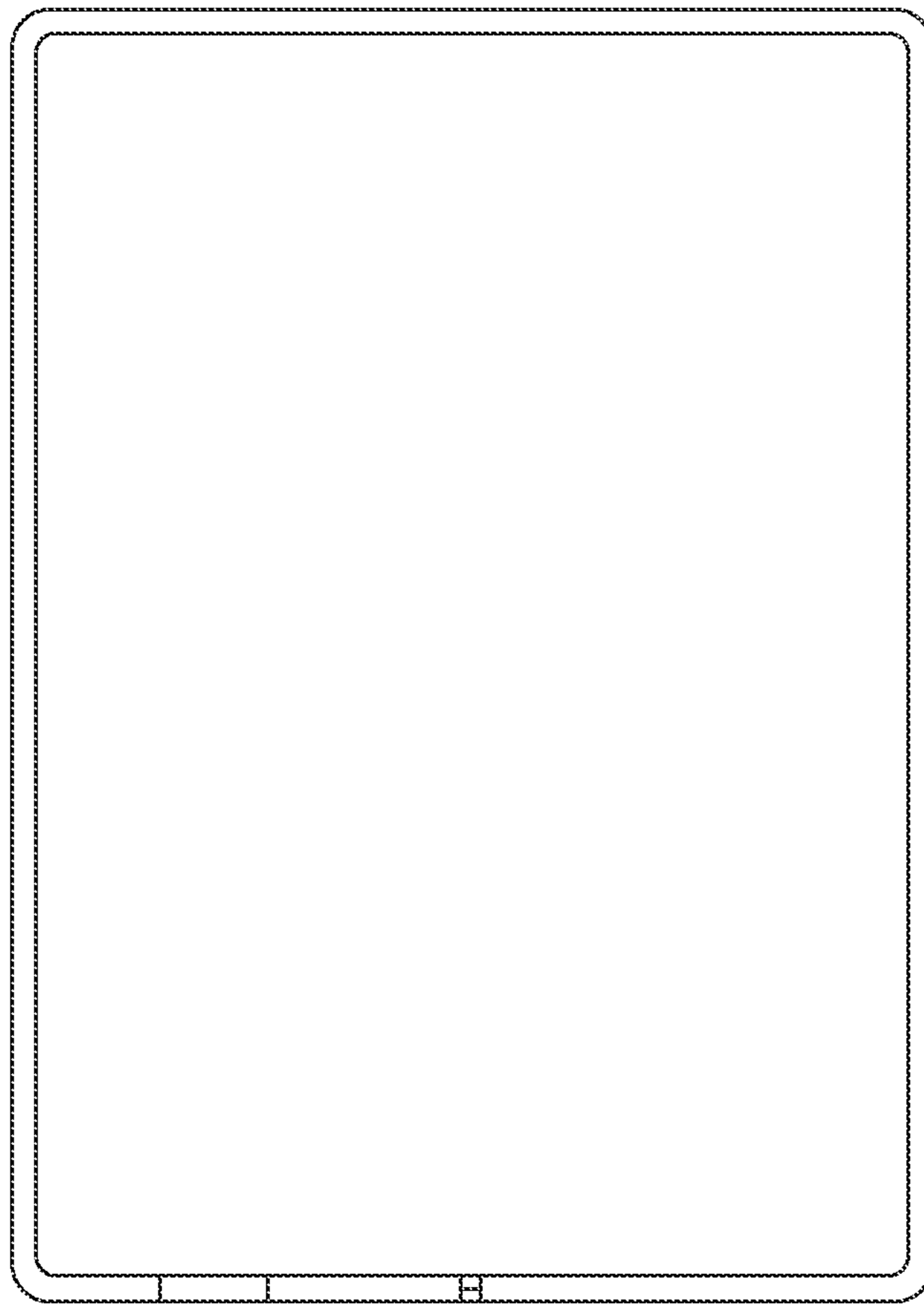


FIG.3

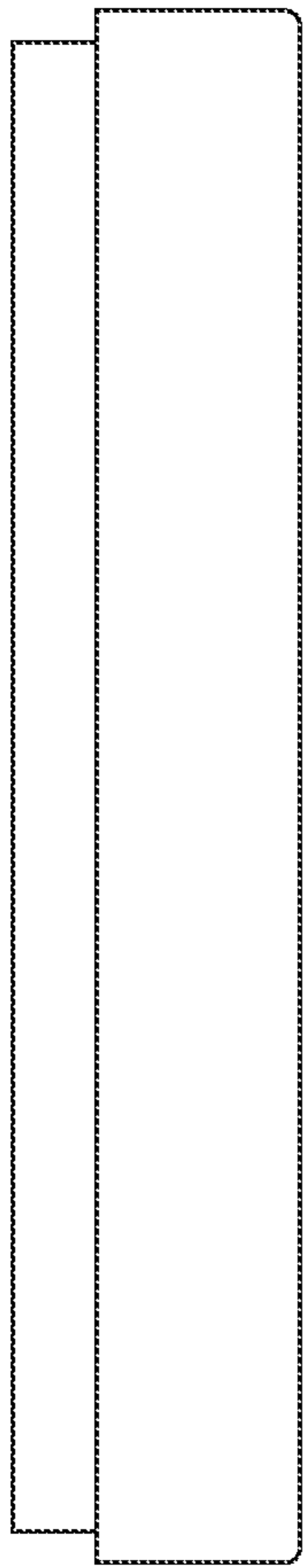


FIG. 4

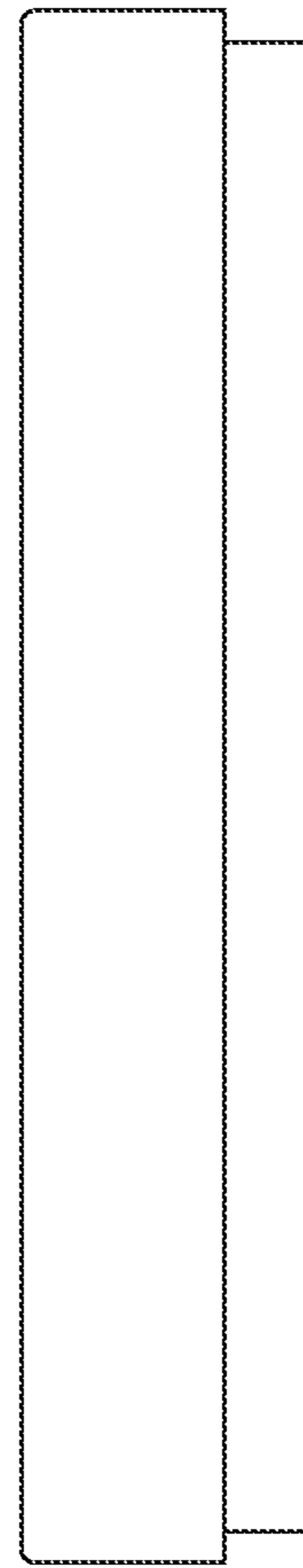


FIG. 5

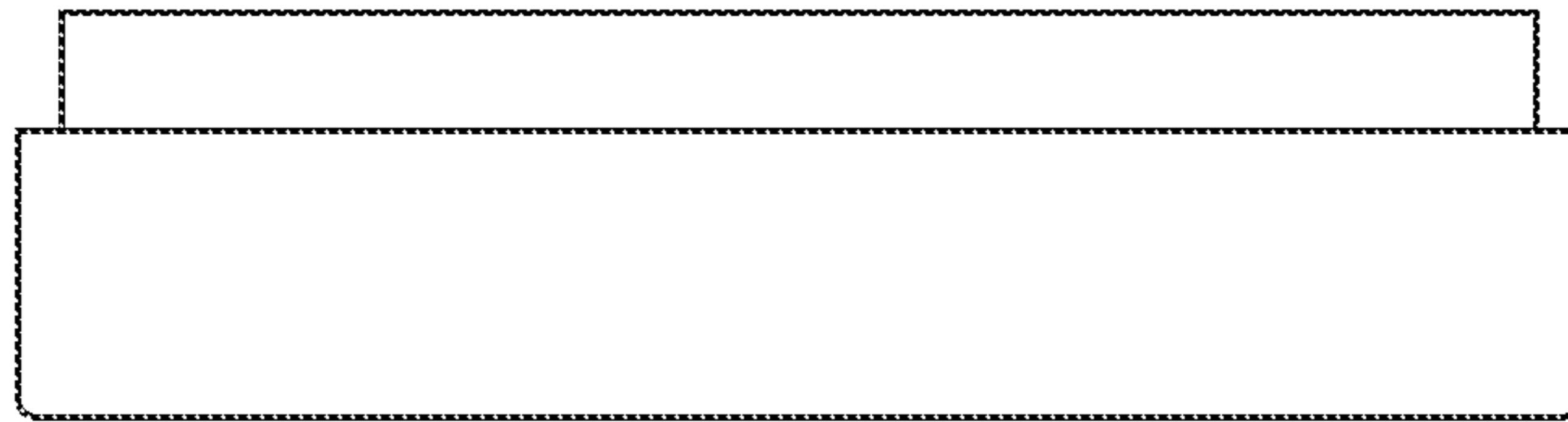


FIG. 6

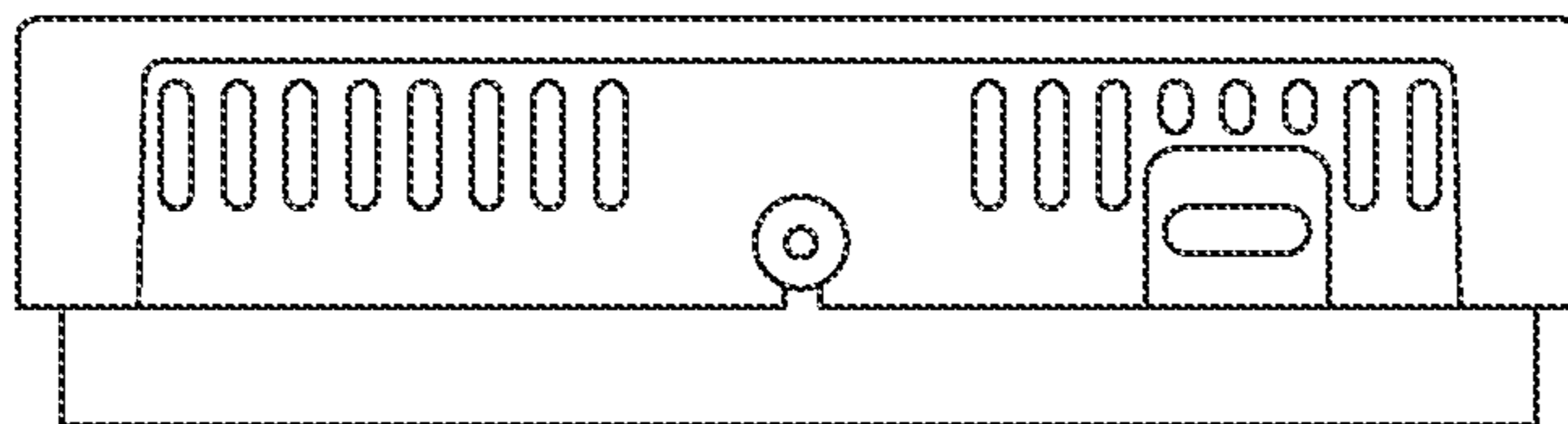


FIG. 7

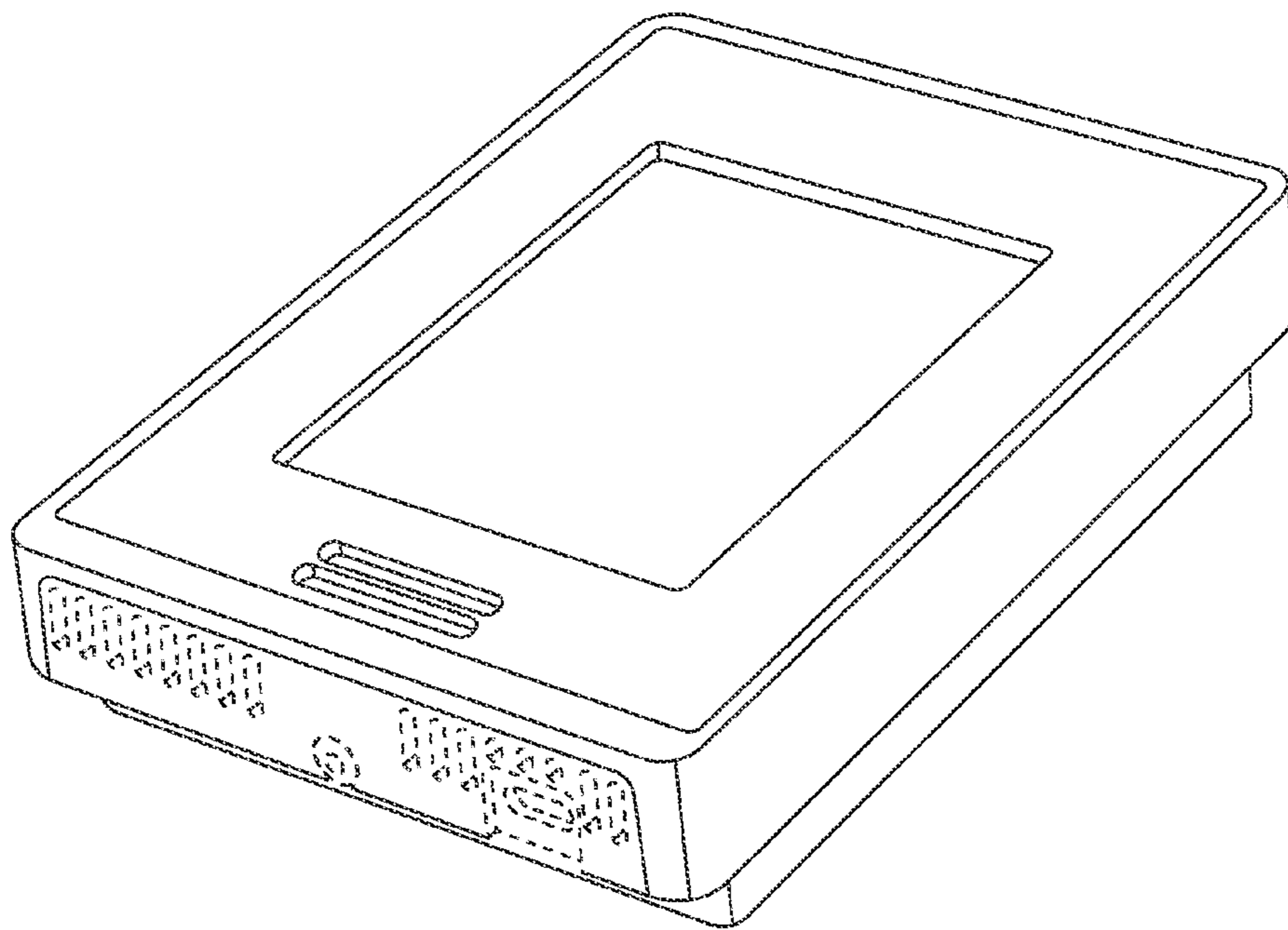


FIG.8

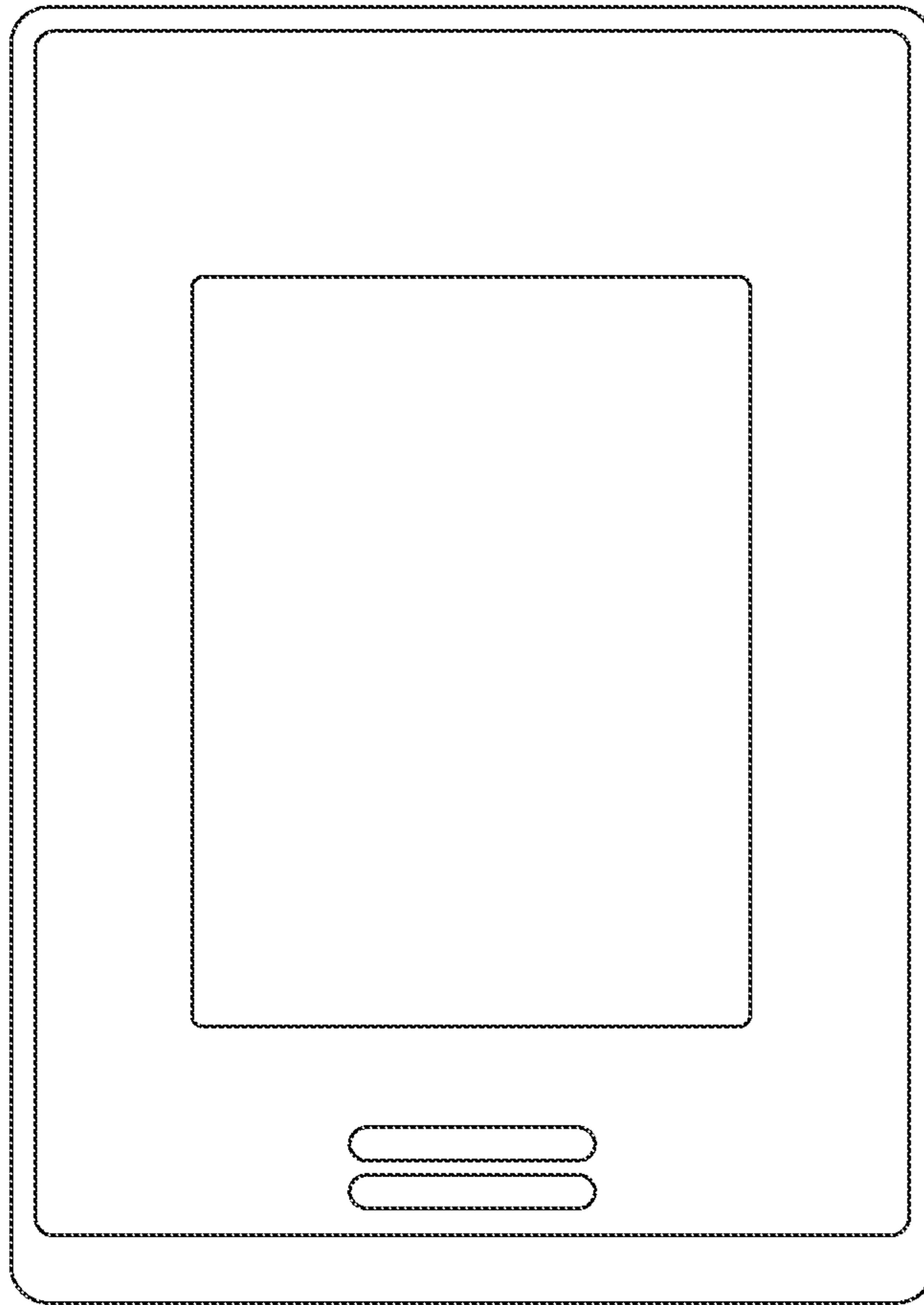


FIG. 9

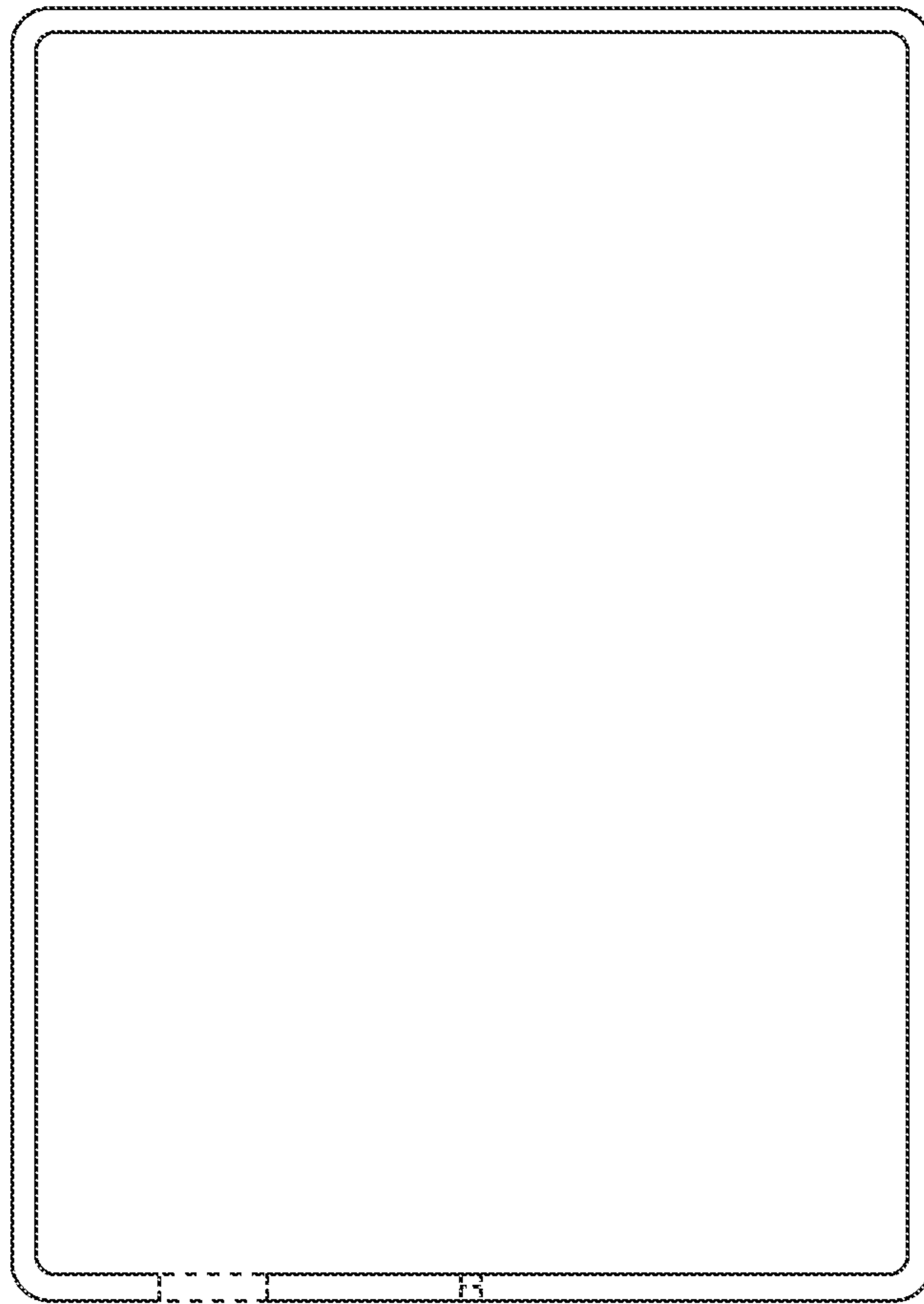


FIG.10

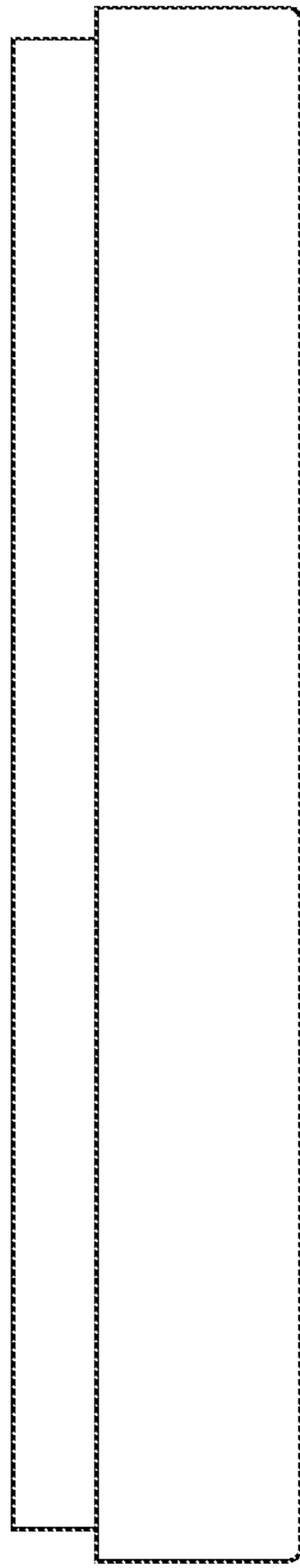


FIG. 11

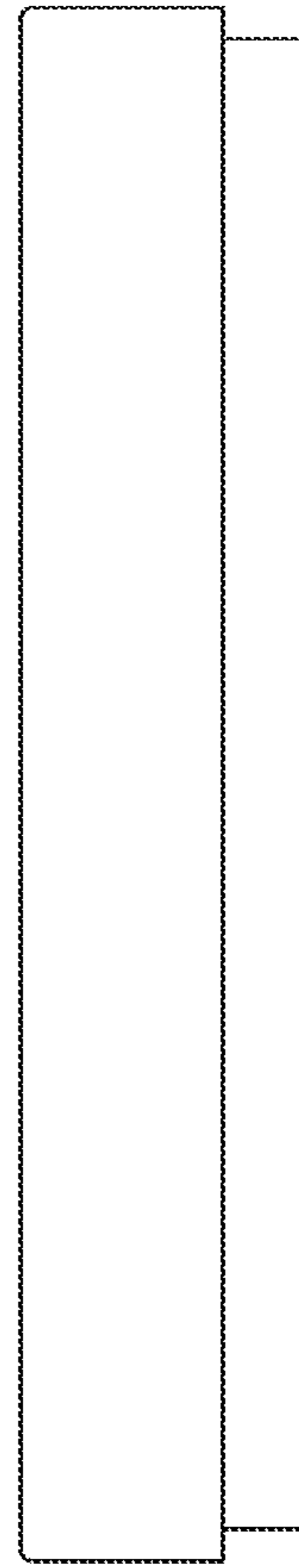


FIG. 12

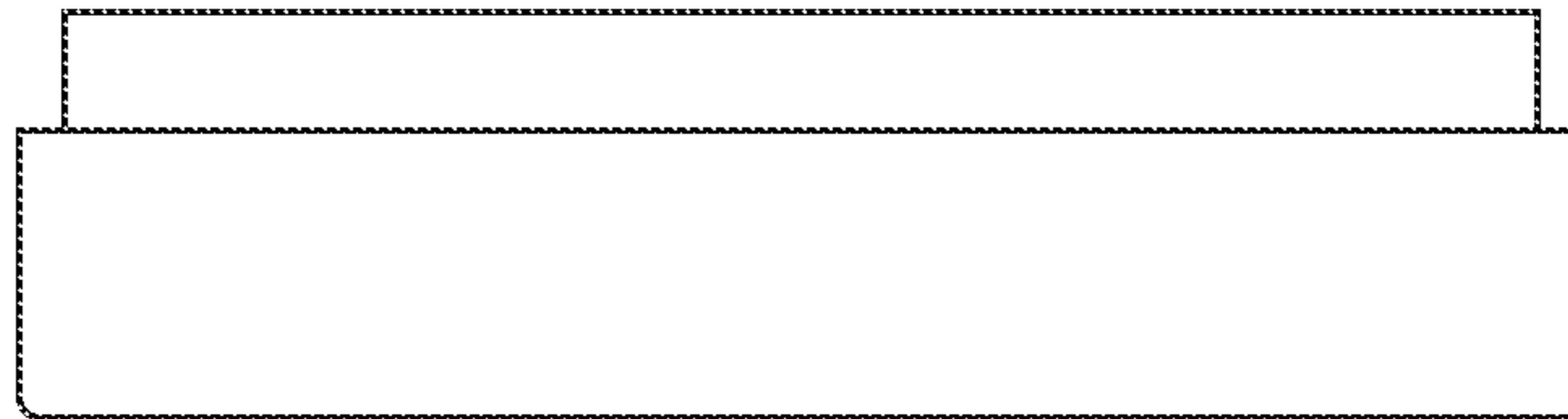


FIG. 13

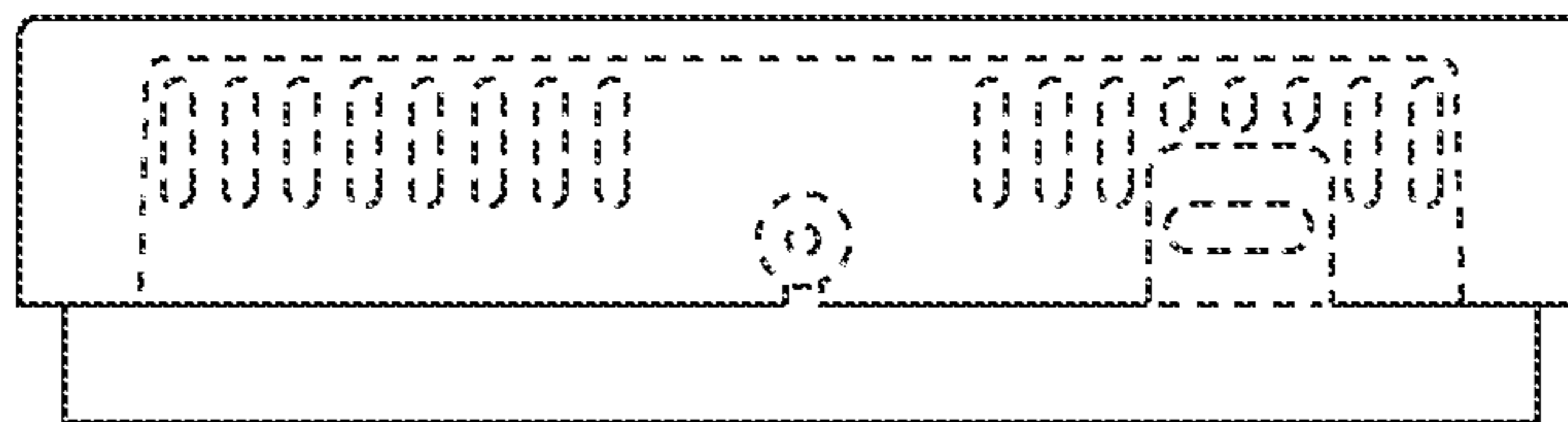


FIG. 14

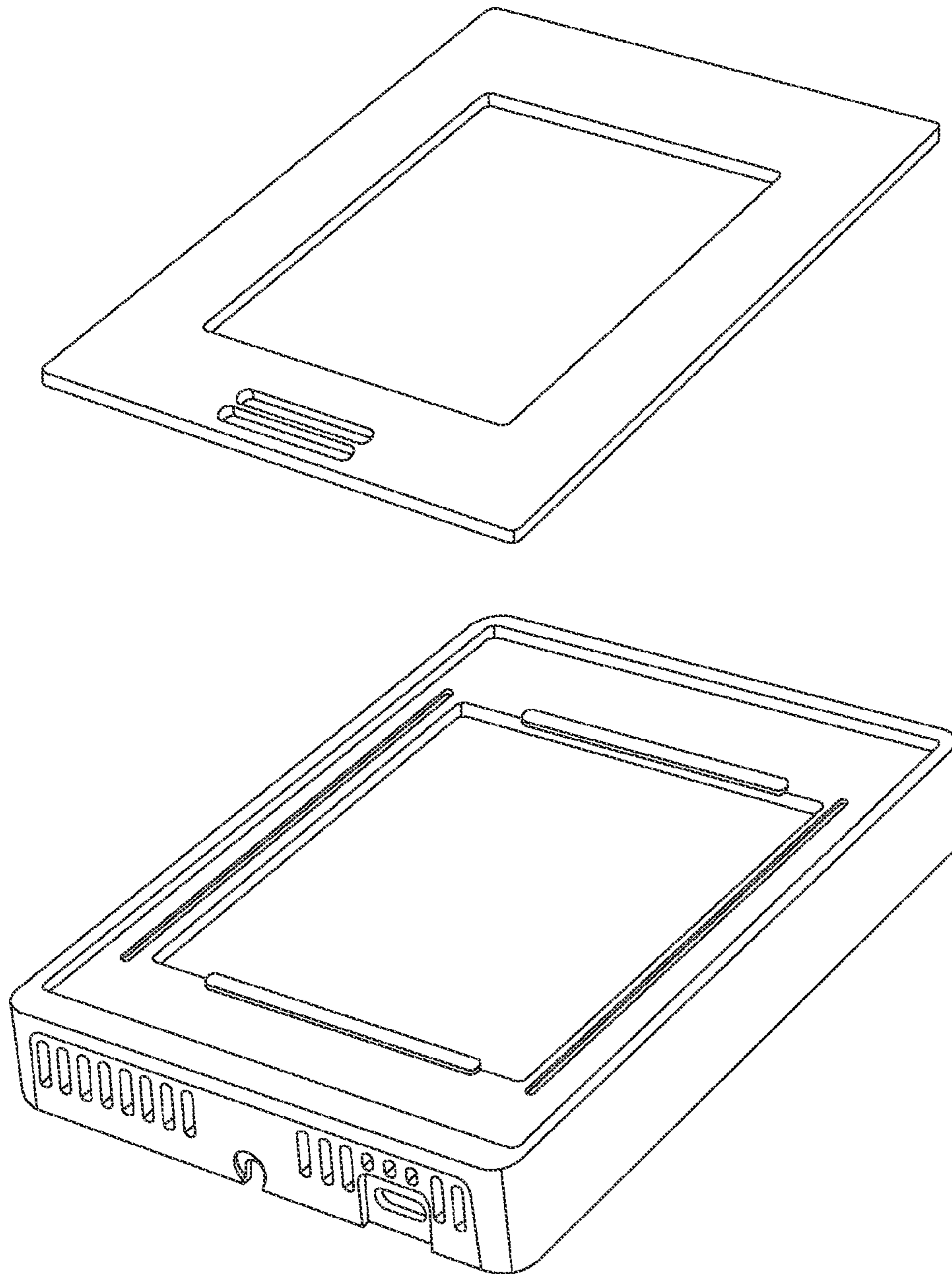


FIG.15

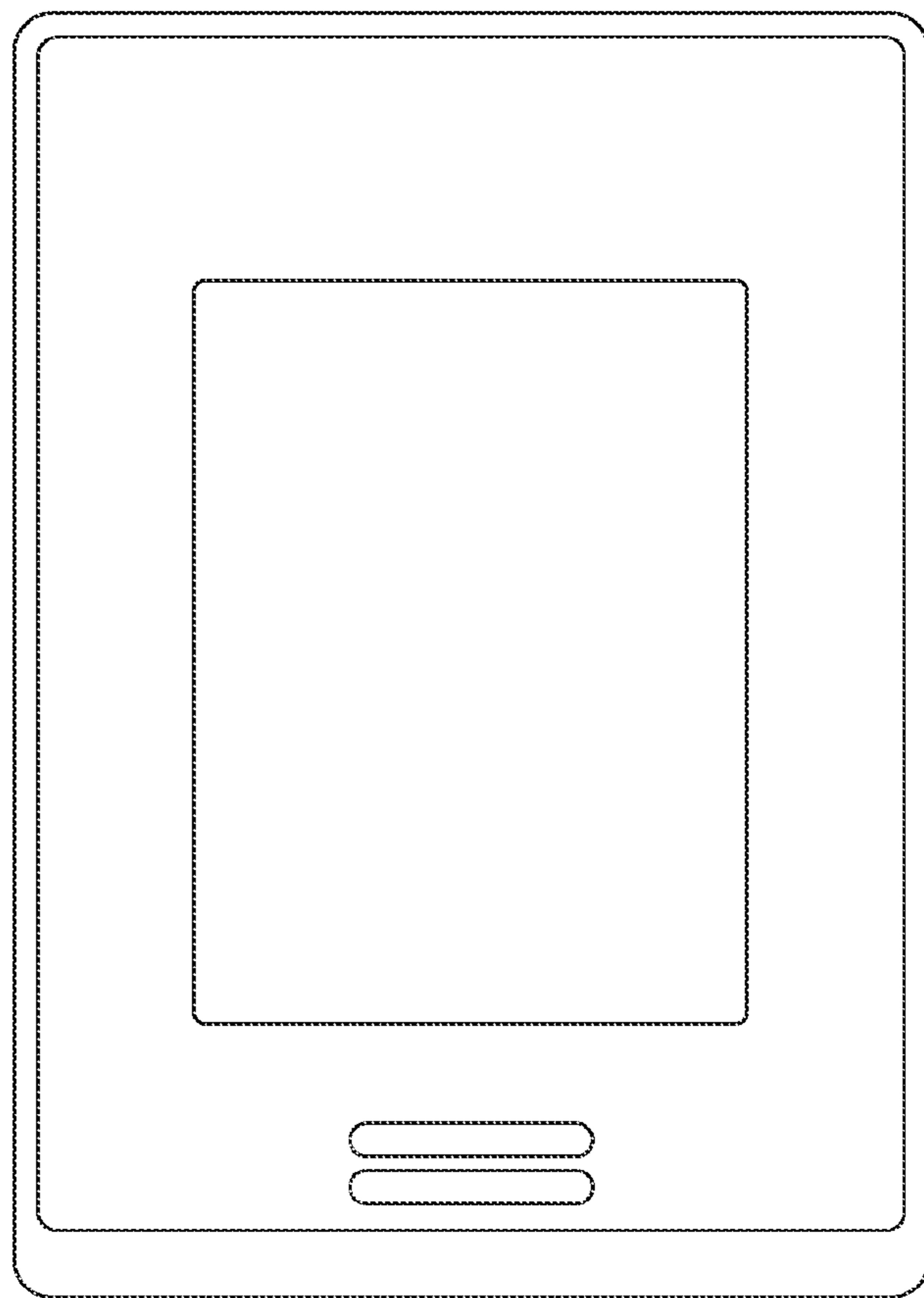


FIG.16

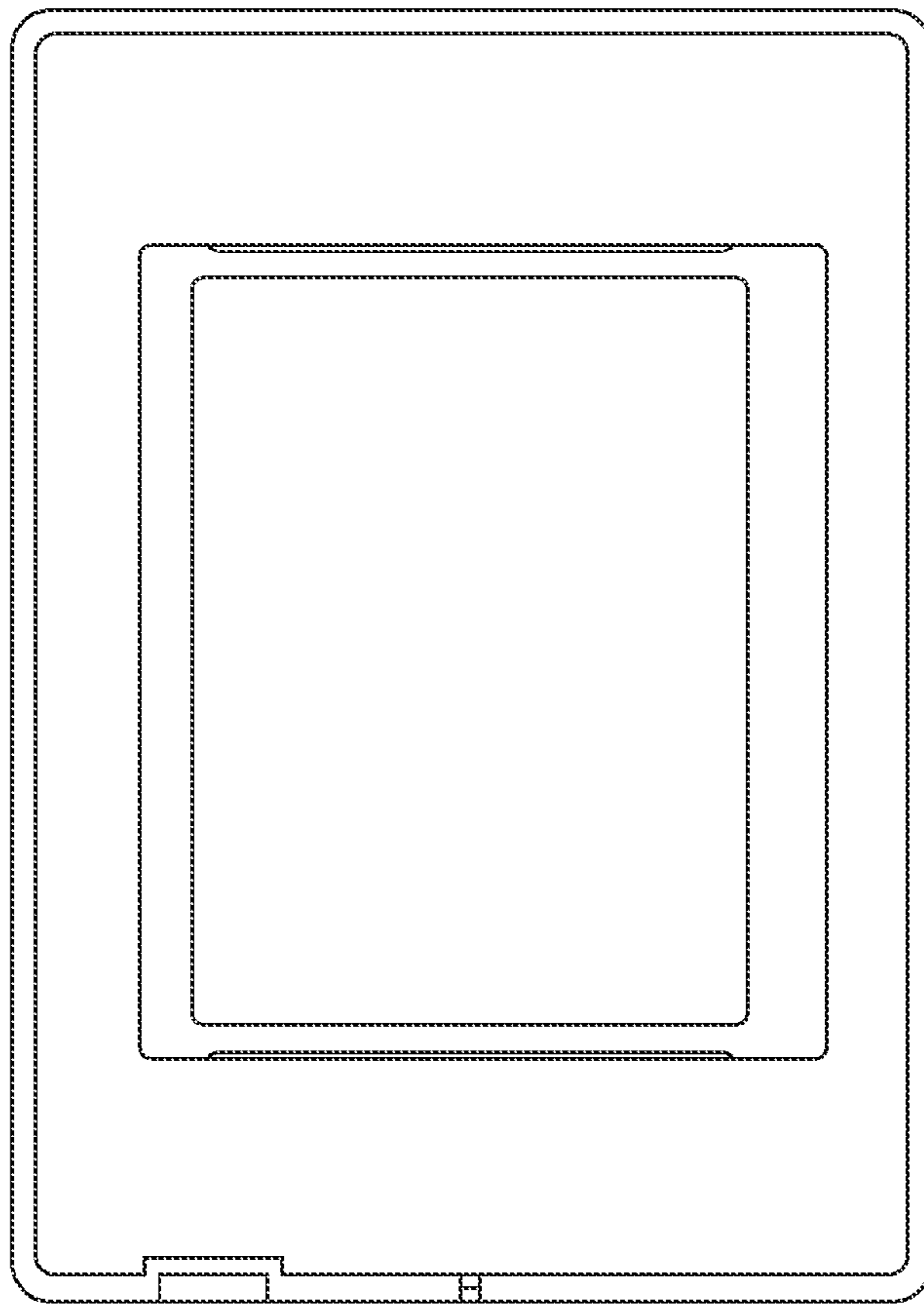


FIG.17

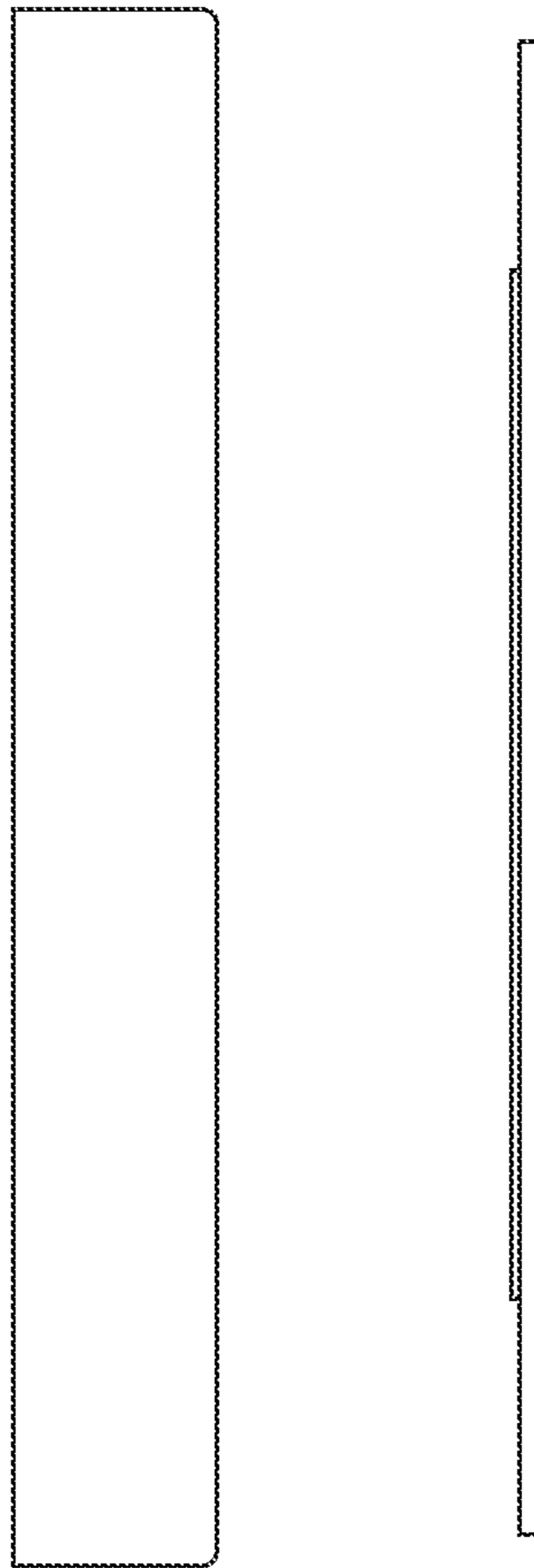


FIG. 18

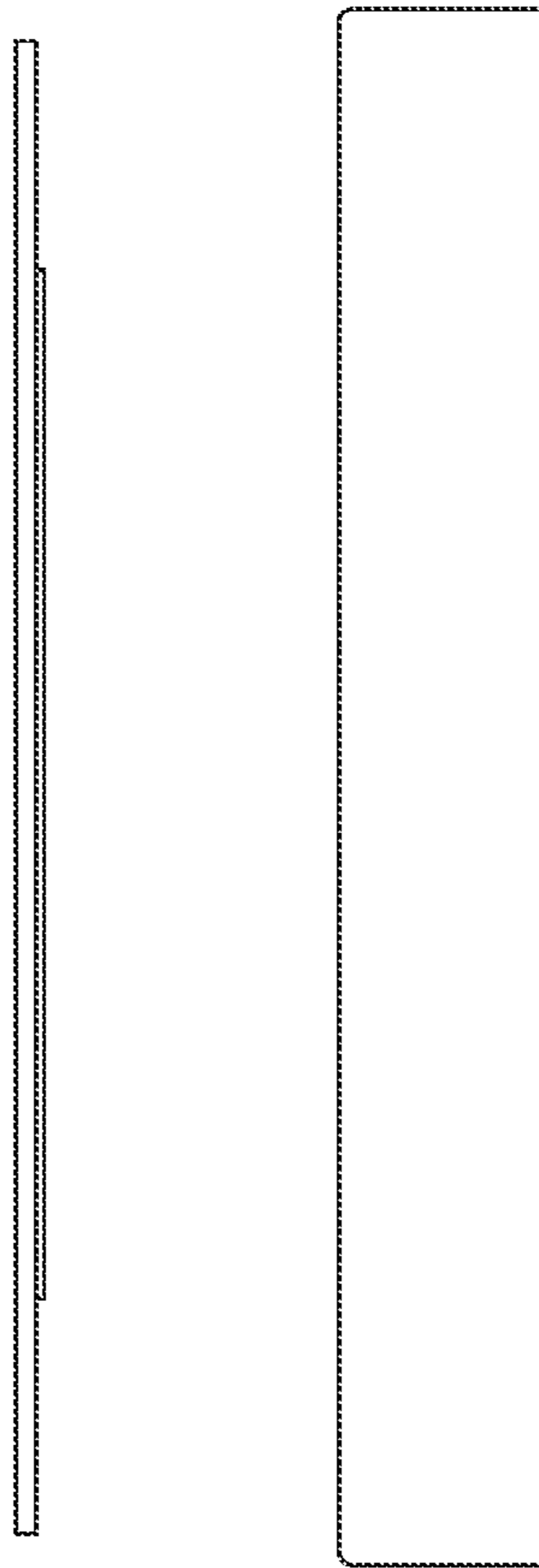


FIG. 19

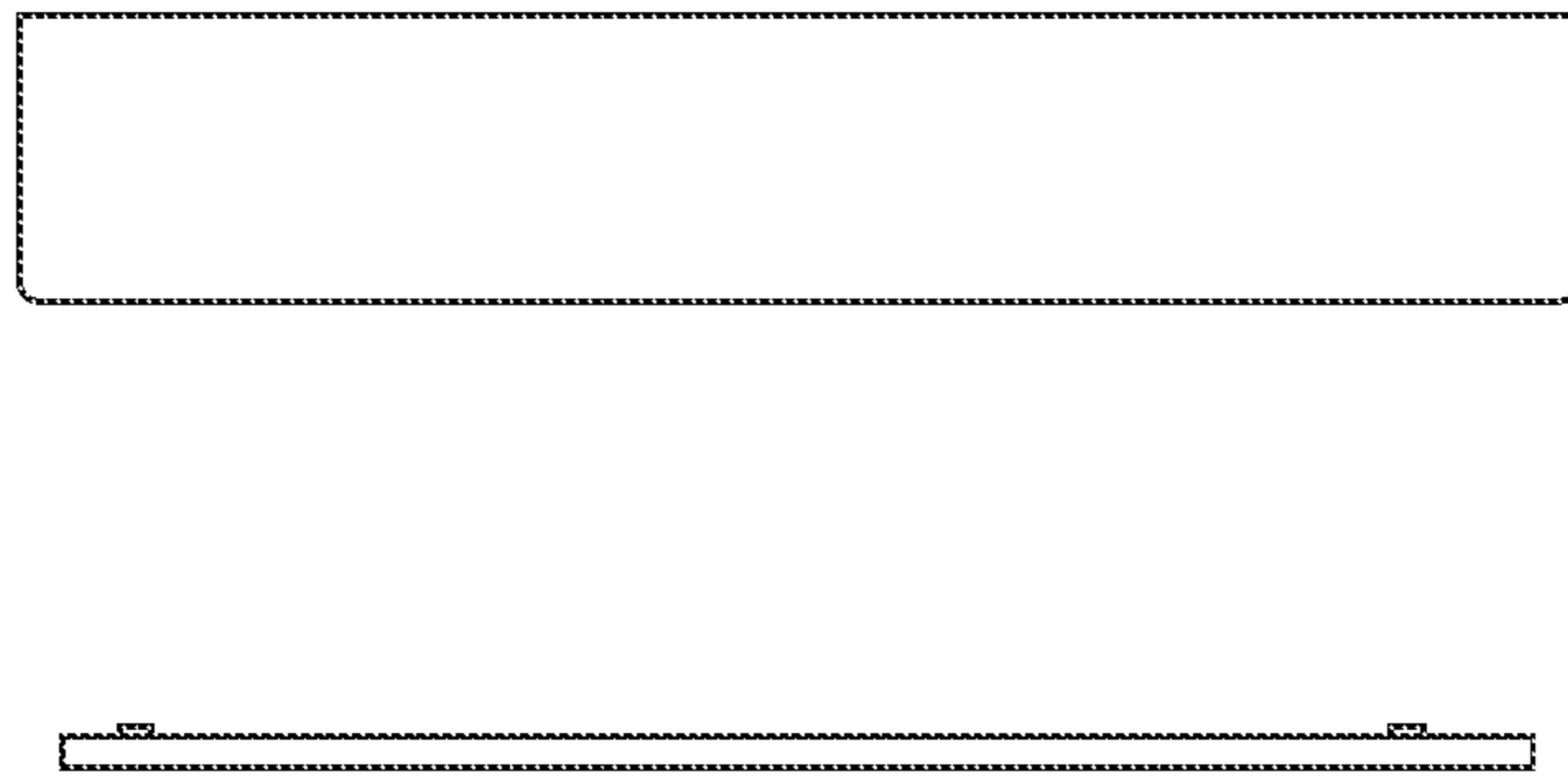


FIG.20

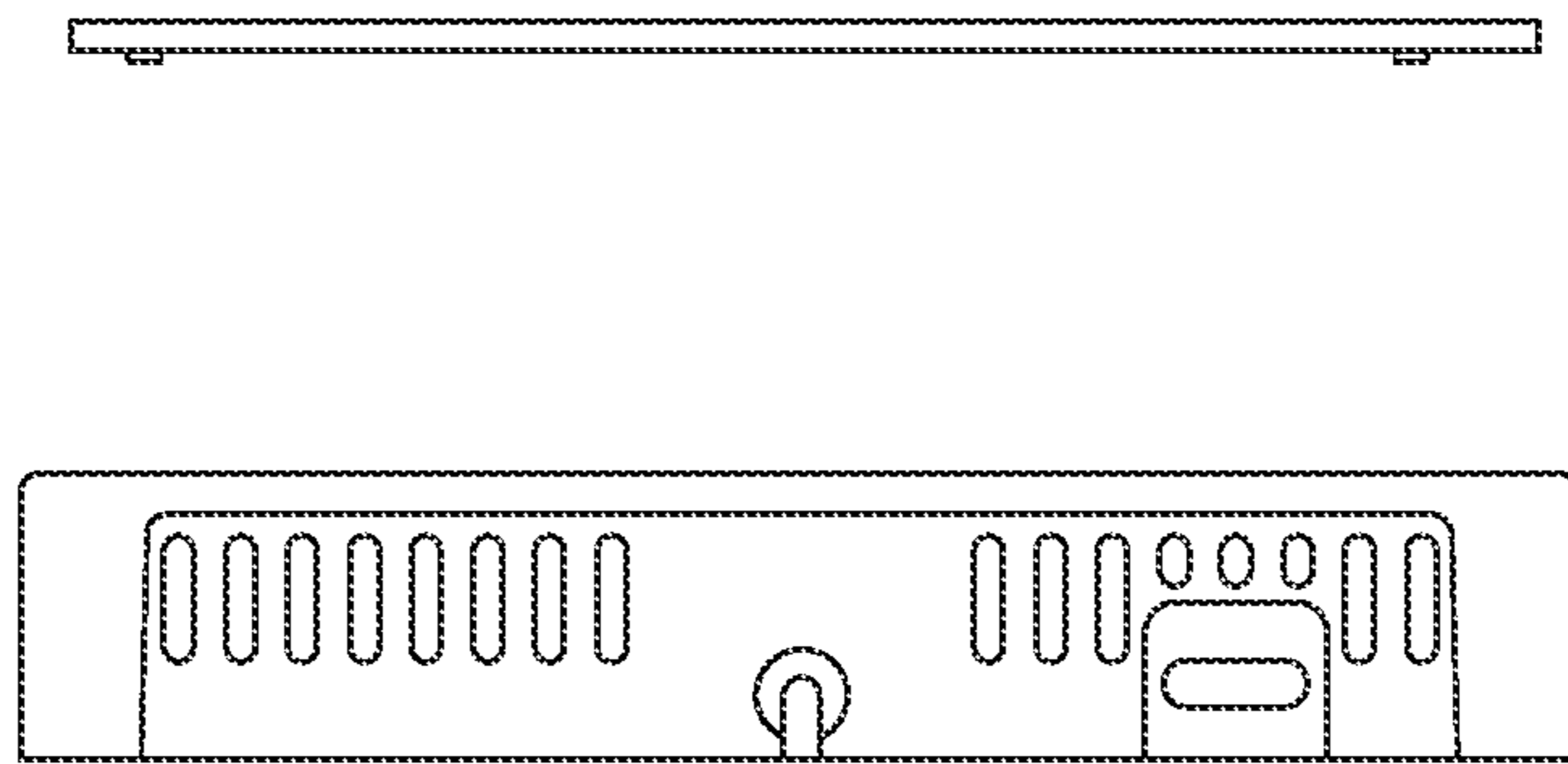


FIG.21

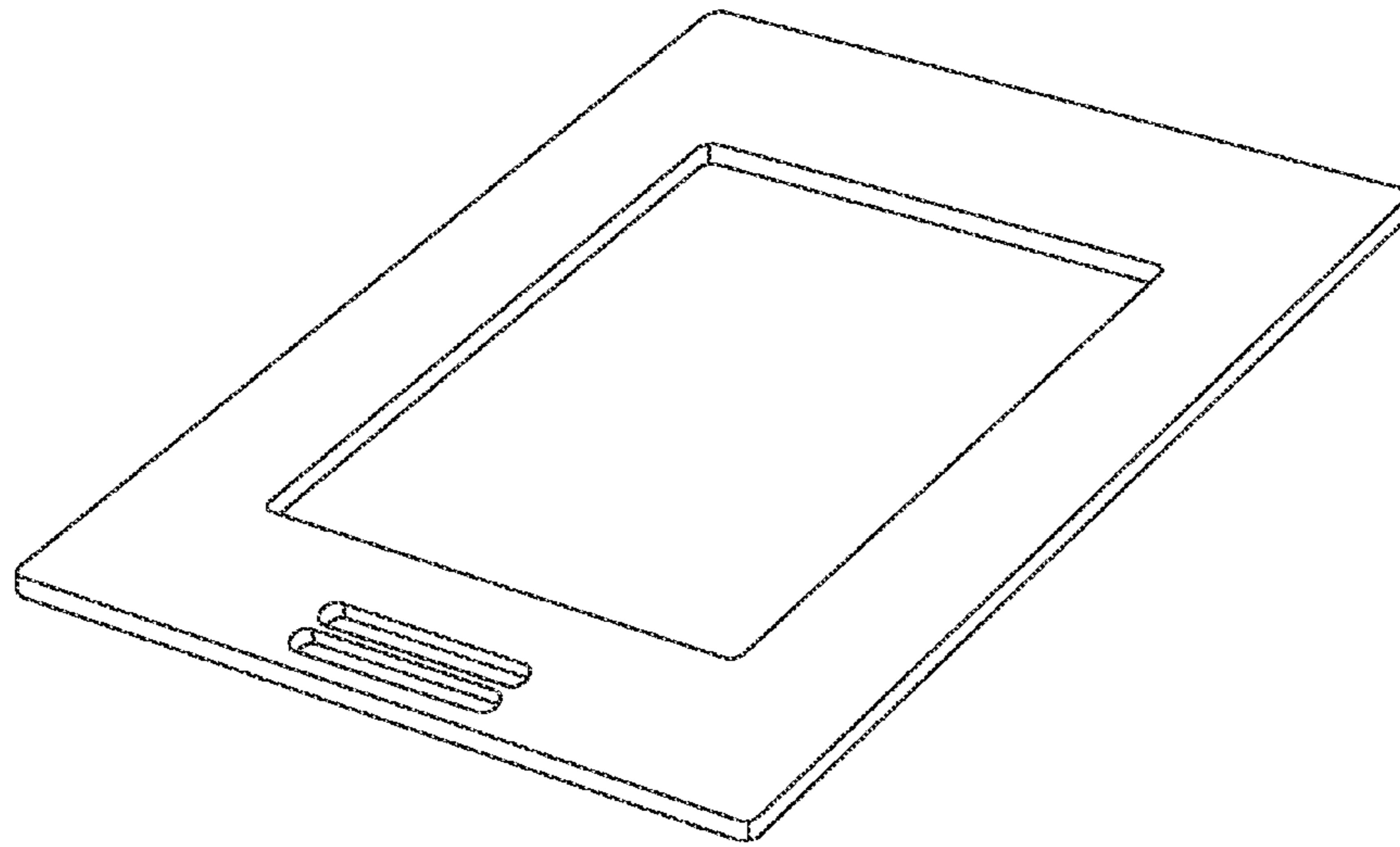


FIG.22

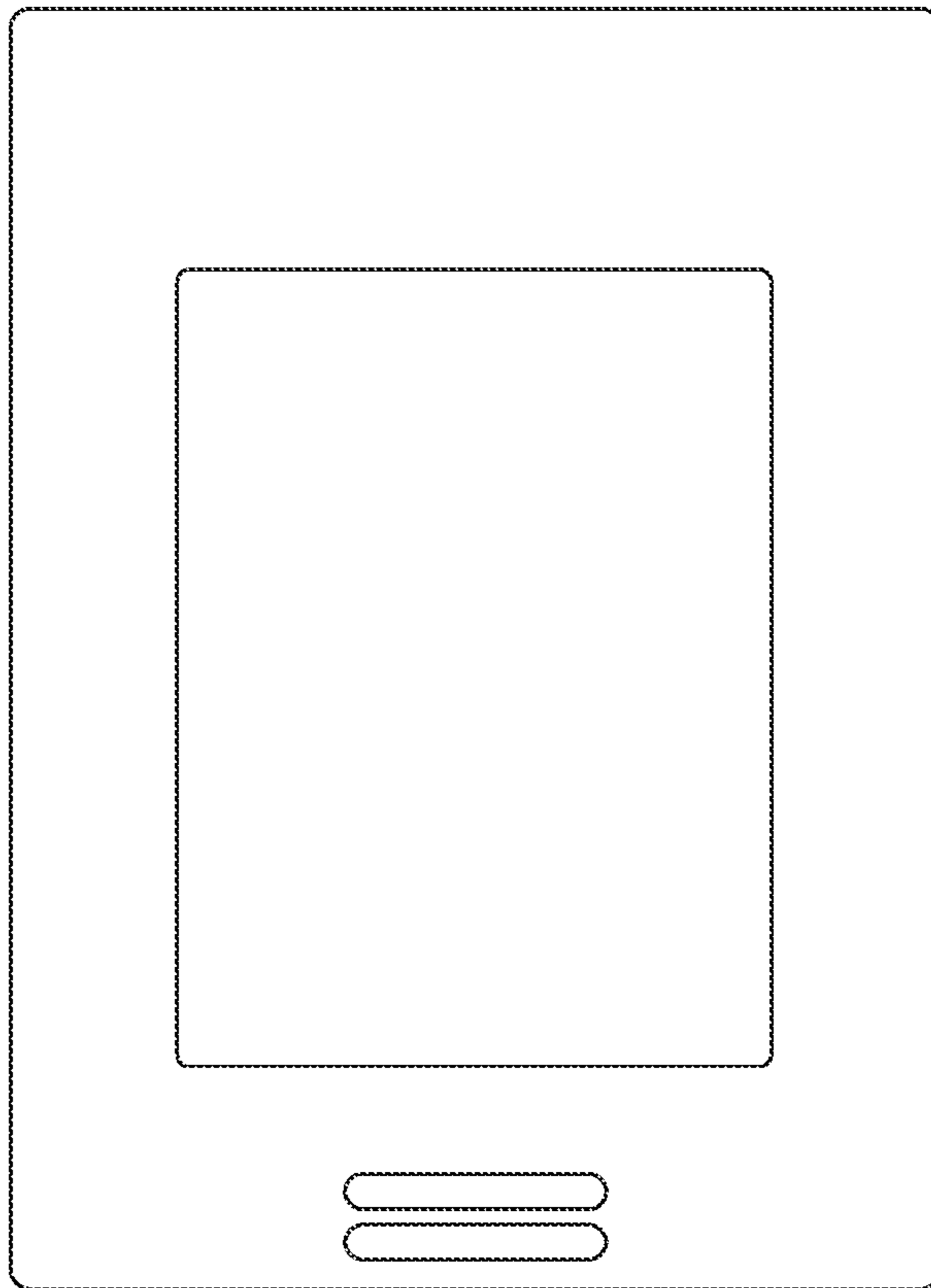


FIG. 23

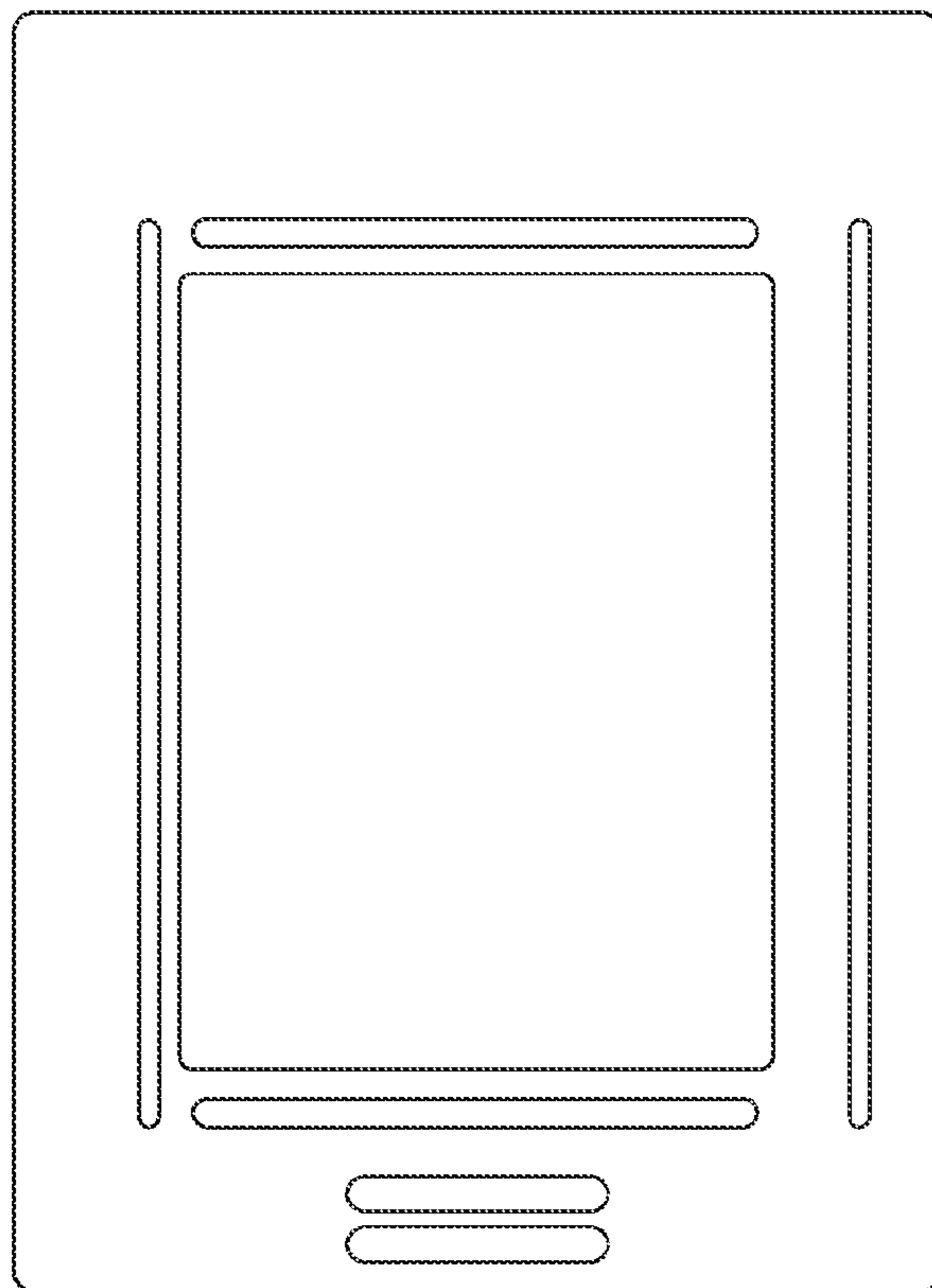


FIG. 24



FIG.25



FIG.26



FIG. 27

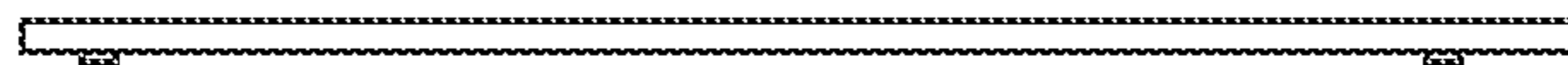


FIG. 28

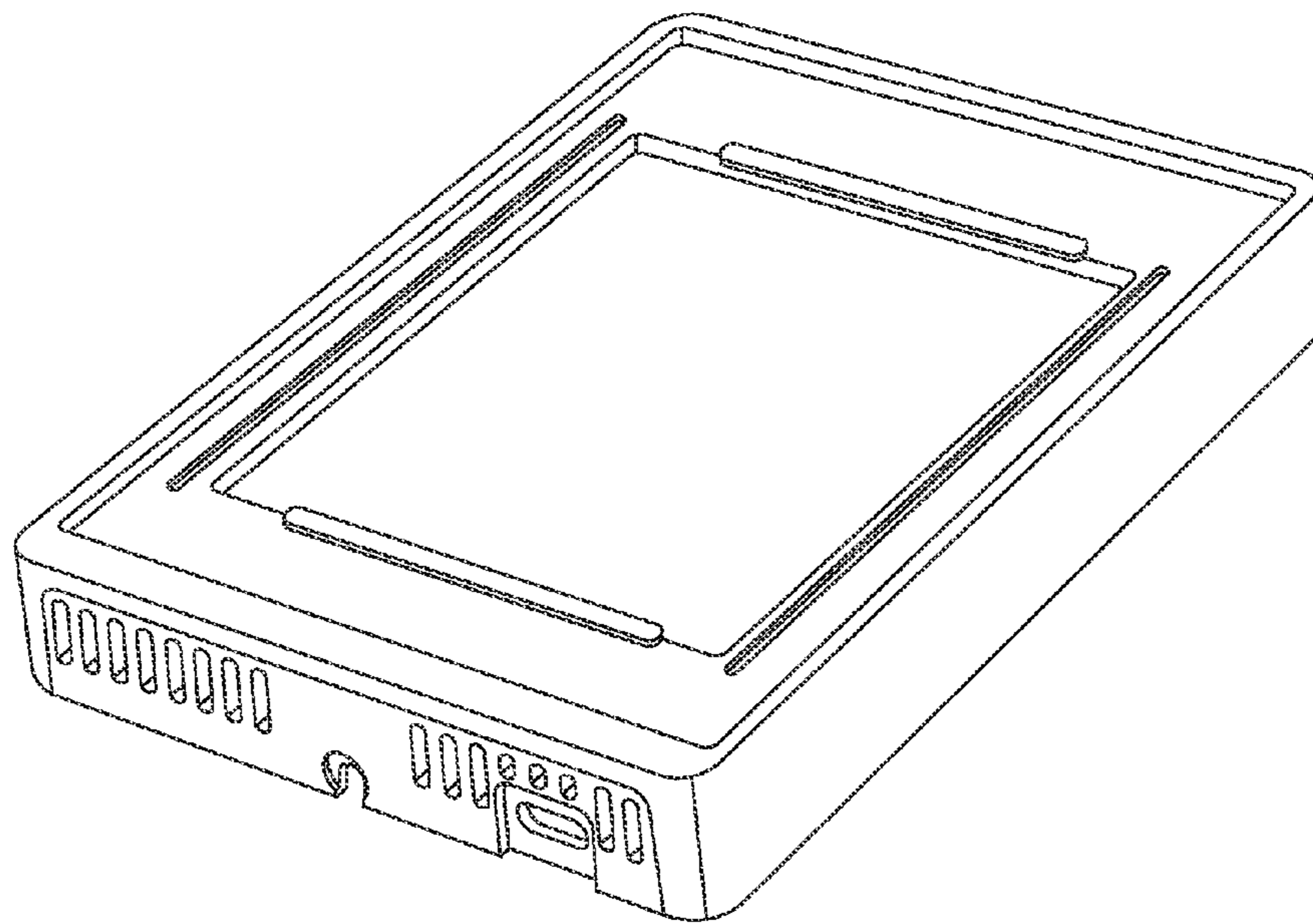


FIG.29

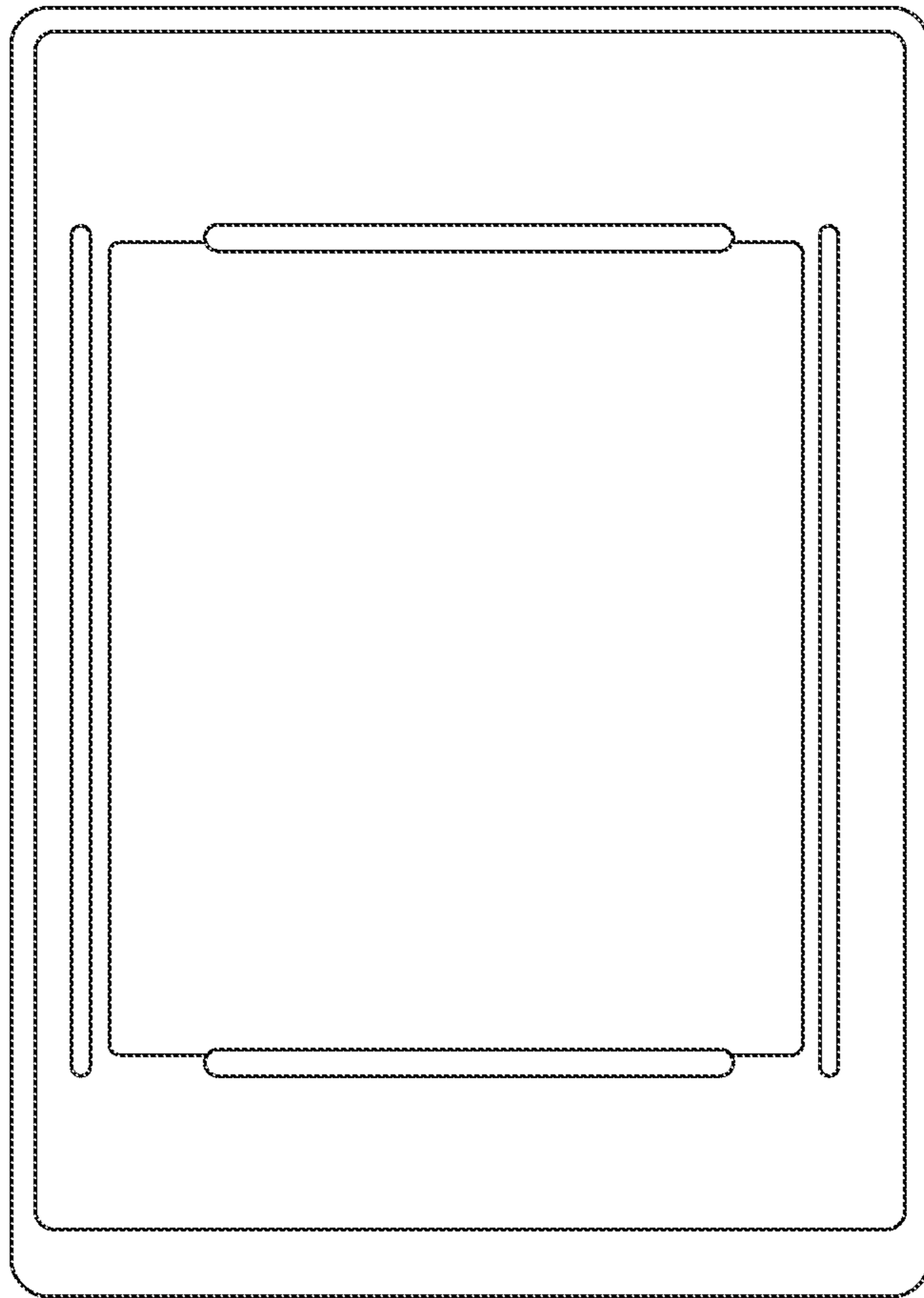


FIG. 30

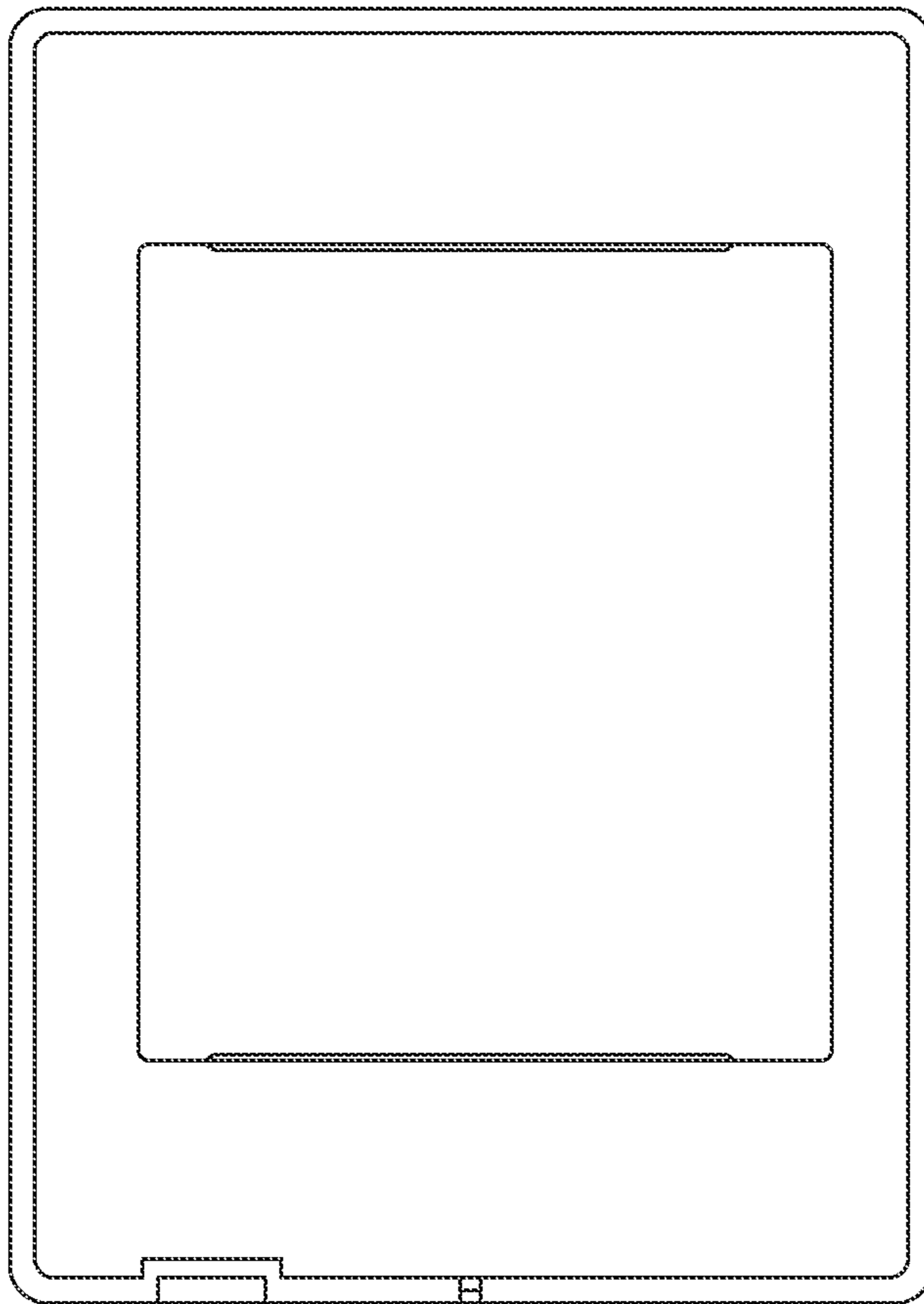


FIG.31

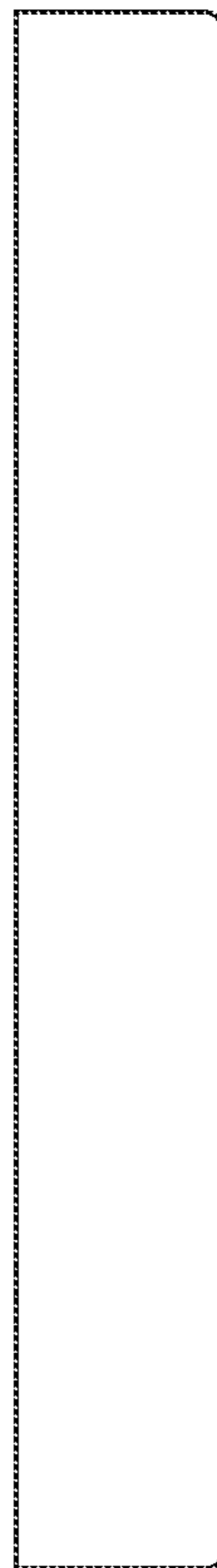


FIG. 32



FIG. 33



FIG. 34

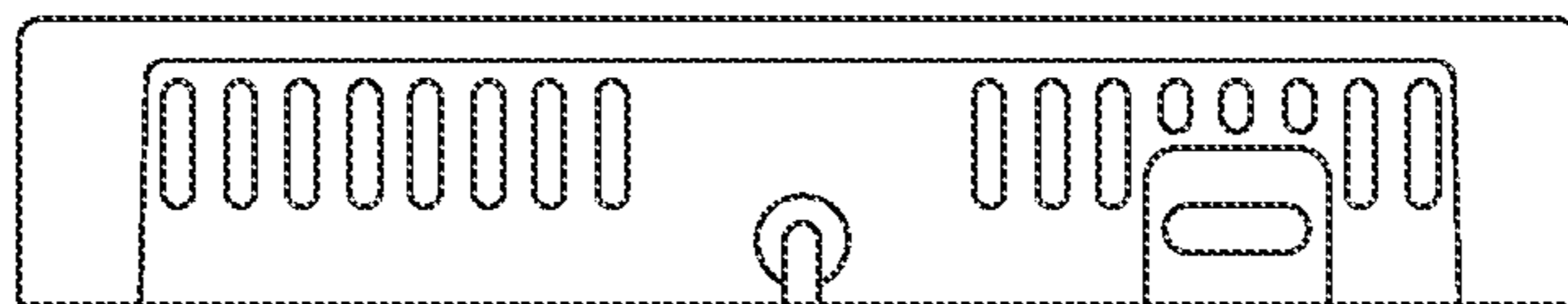


FIG. 35

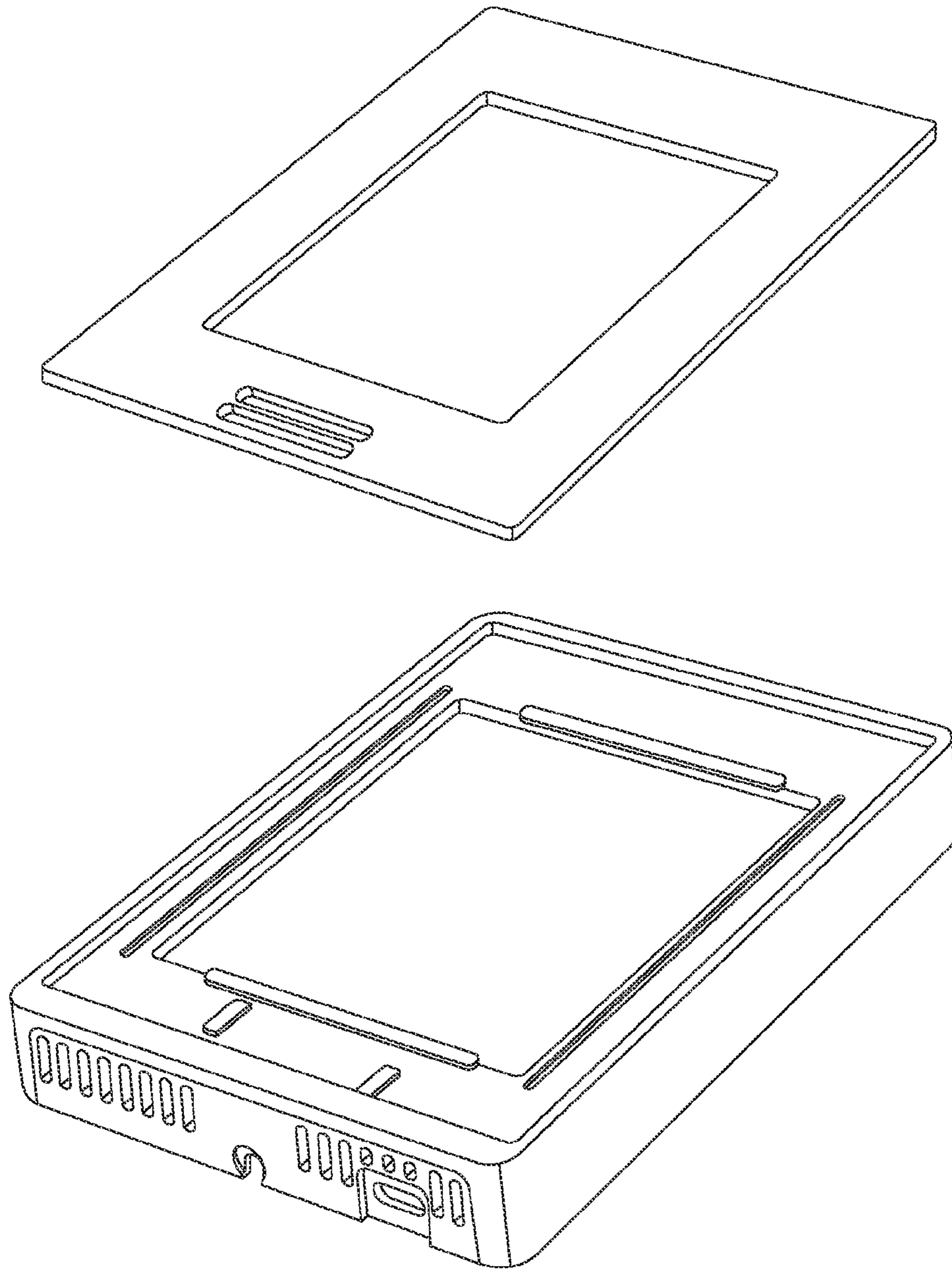


FIG.36

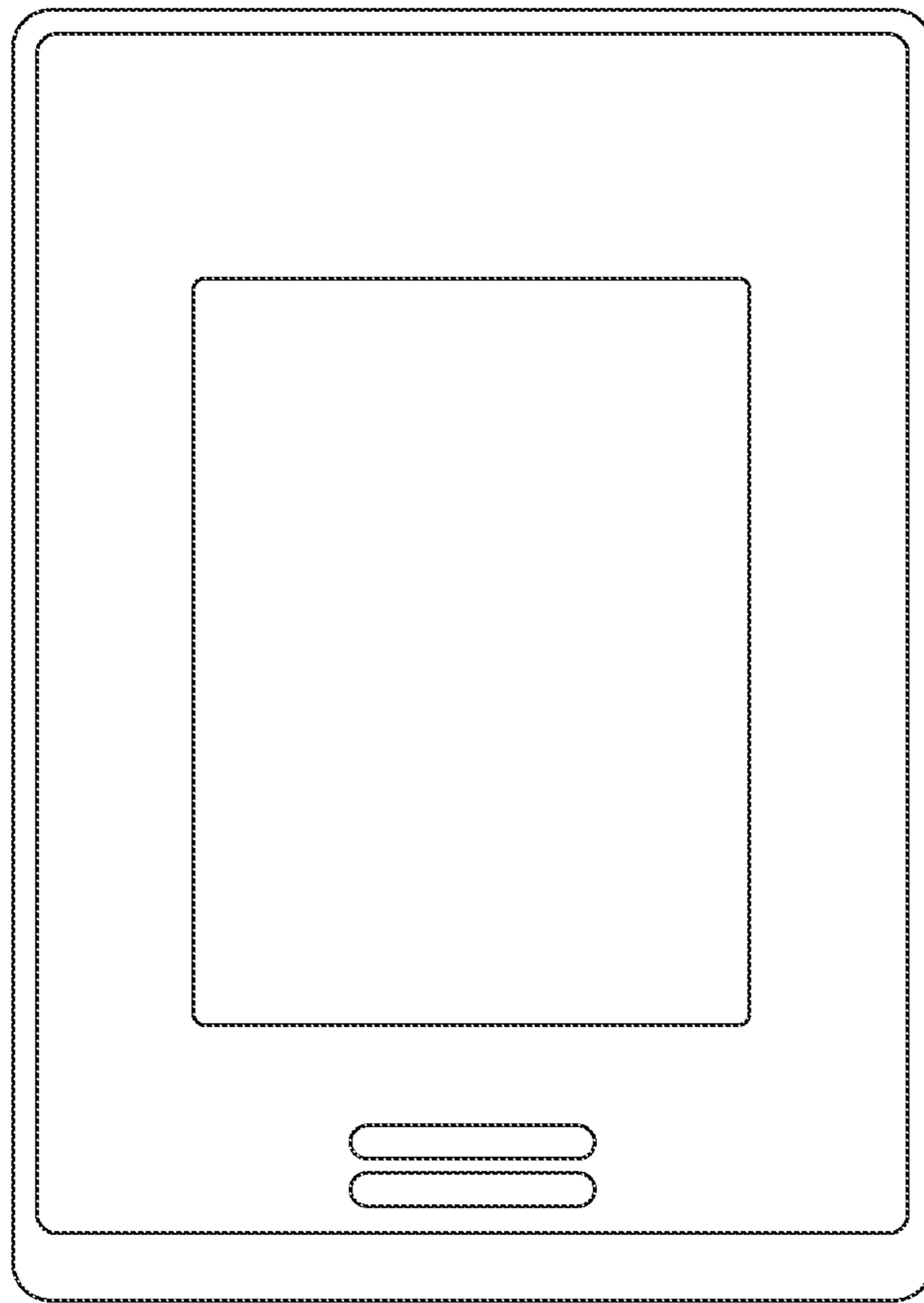


FIG. 37

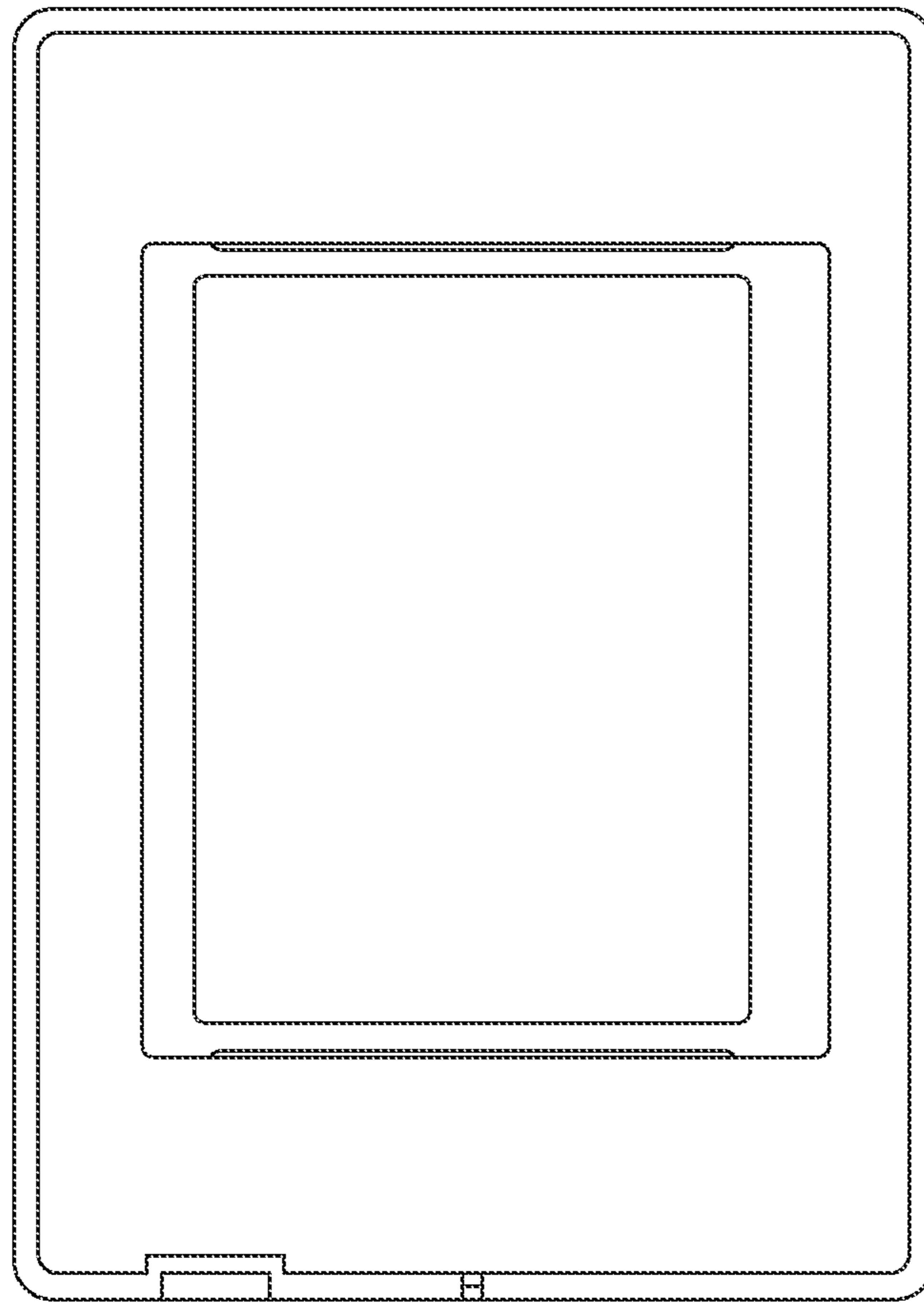


FIG.38

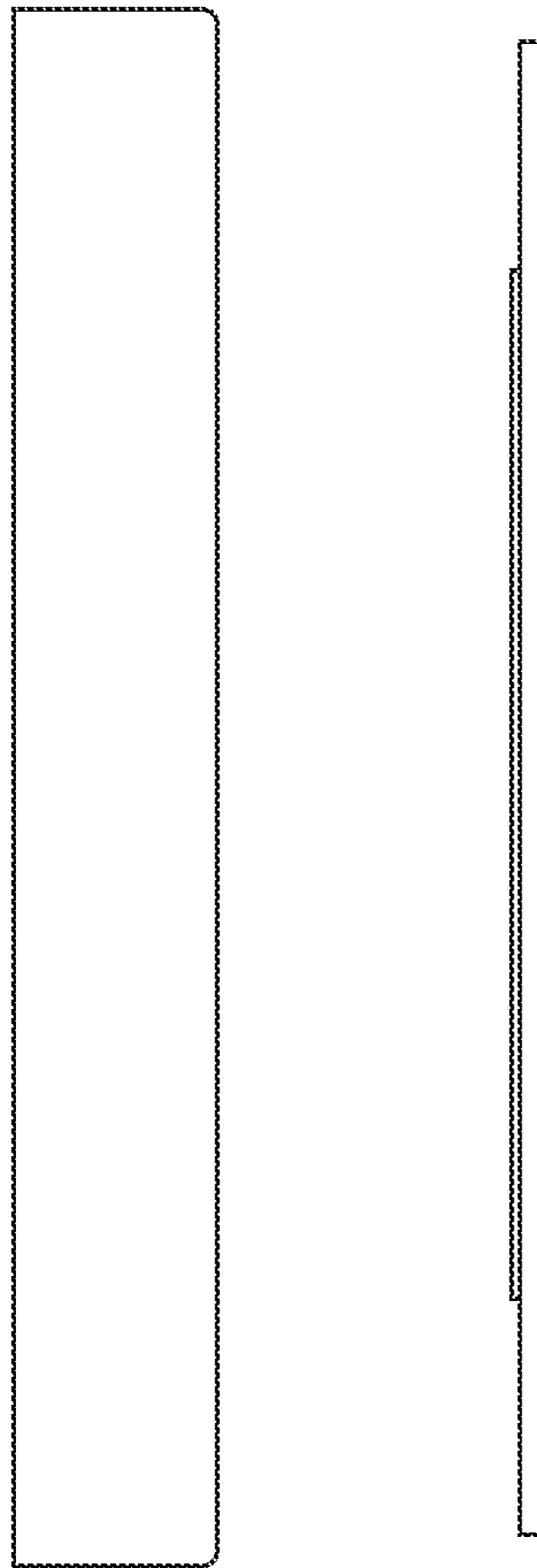


FIG.39

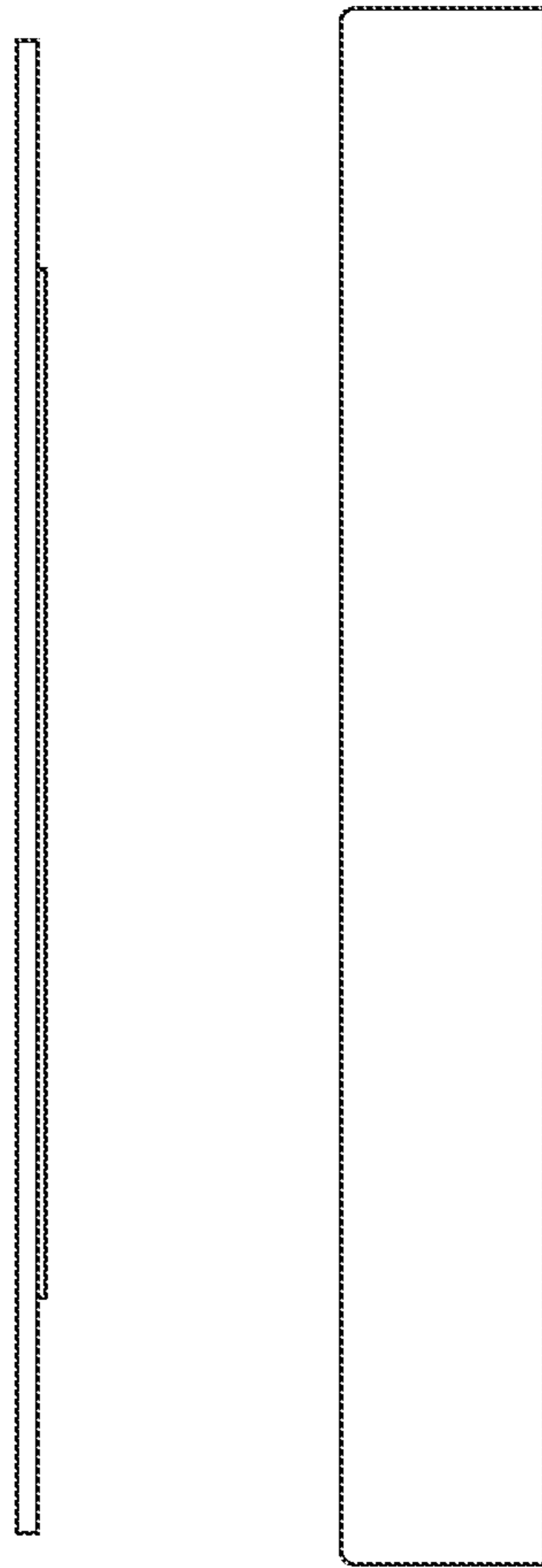


FIG. 40

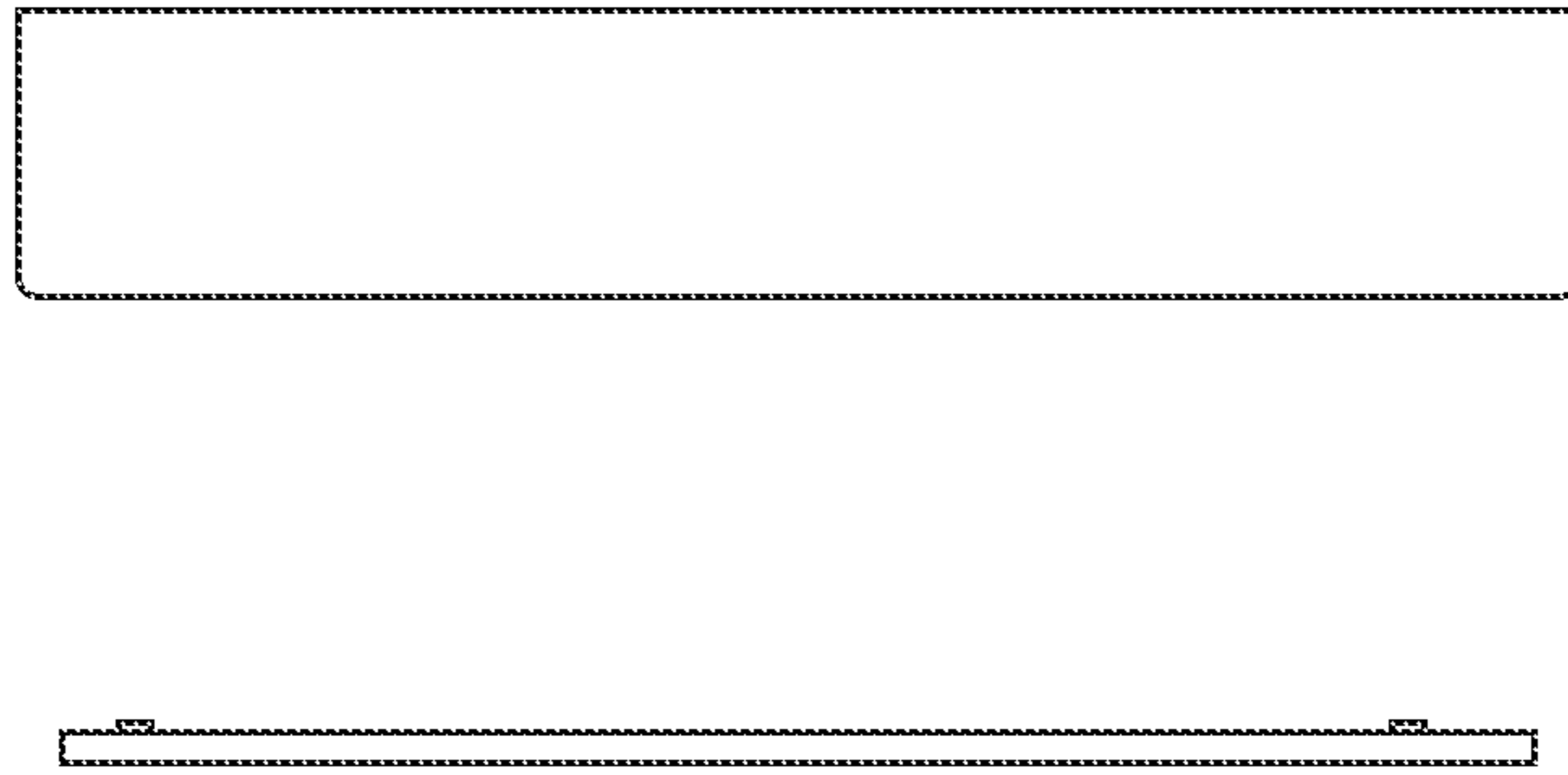


FIG.41

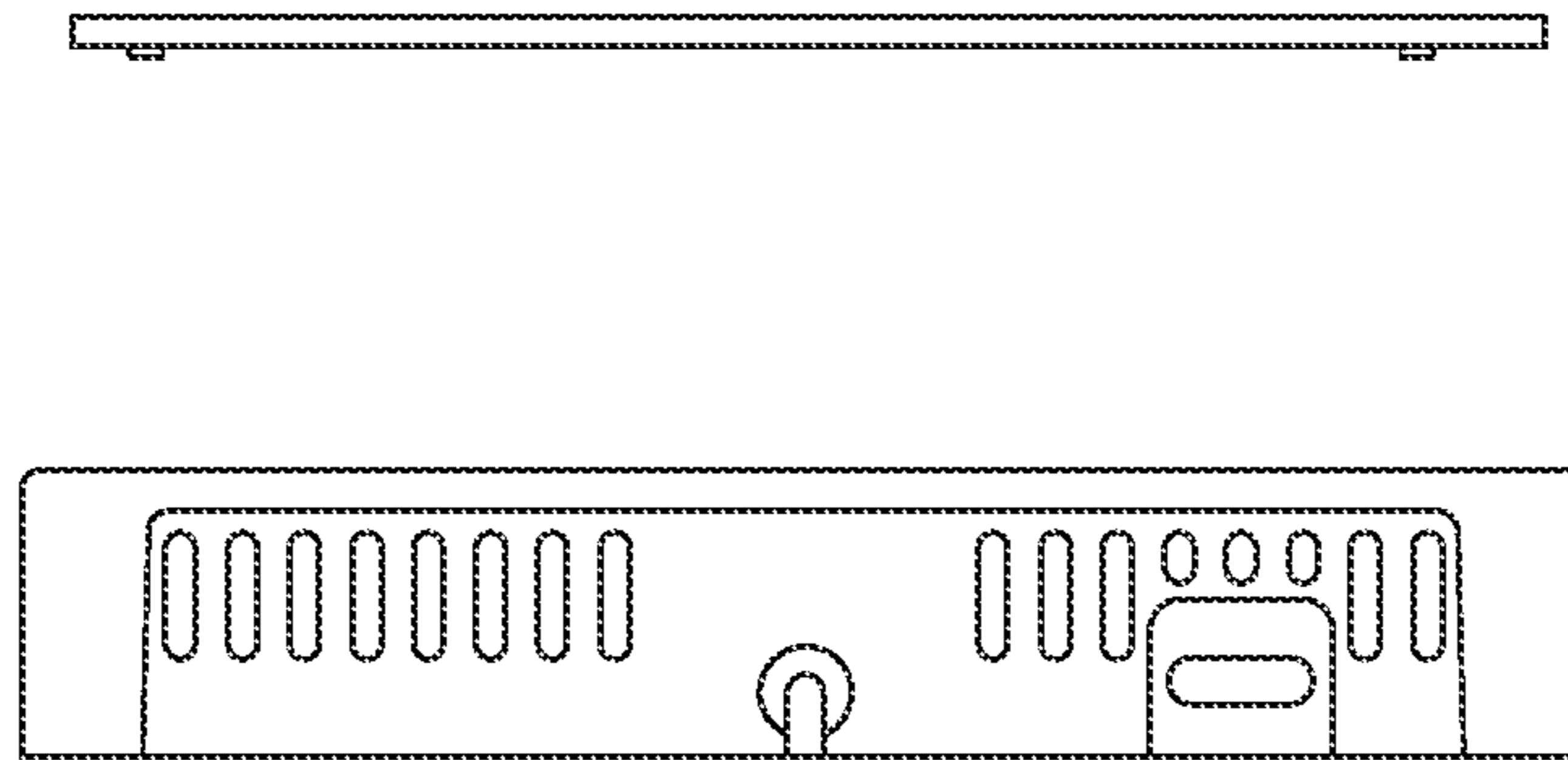


FIG.42

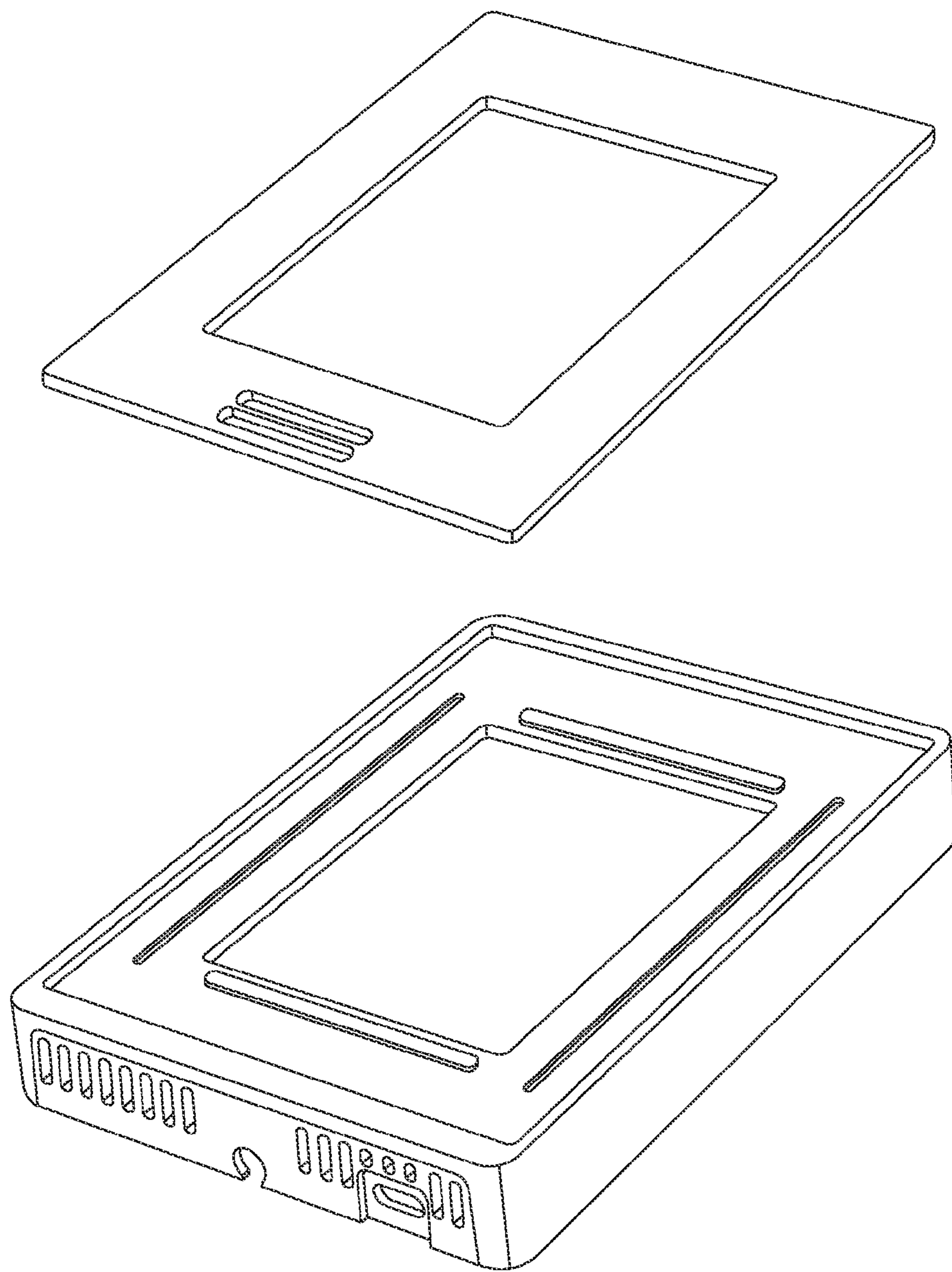


FIG. 43

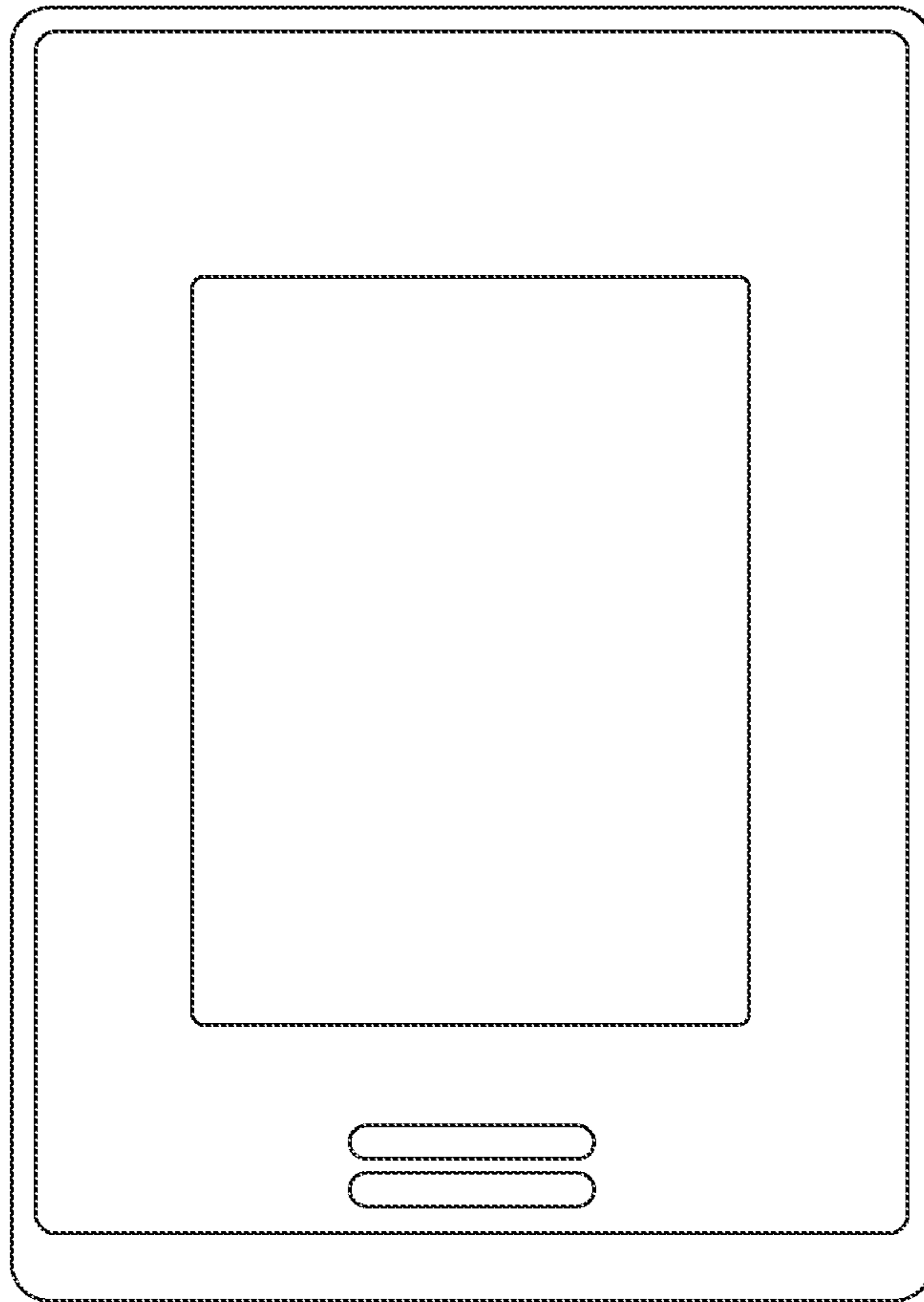


FIG. 44

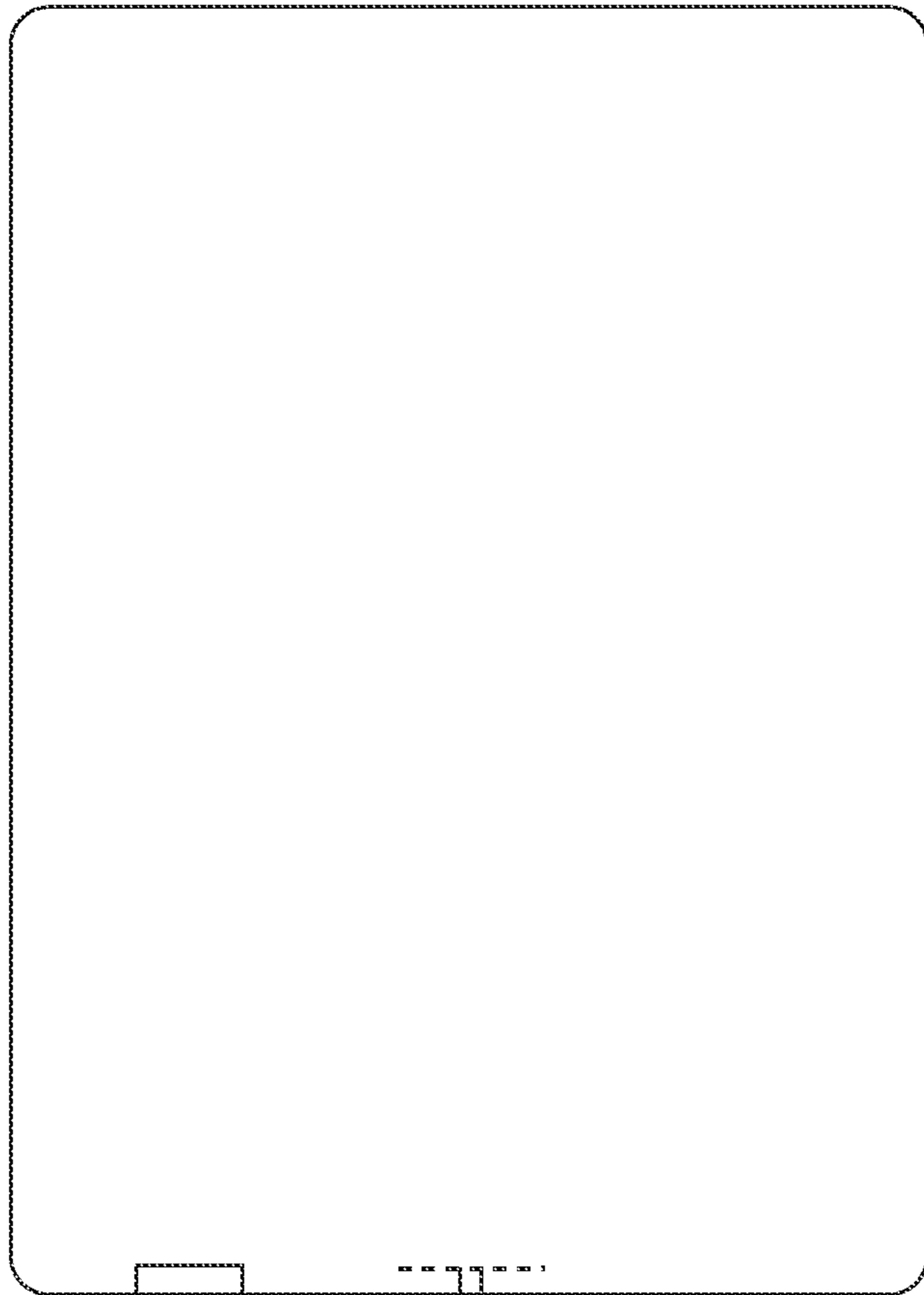


FIG.45

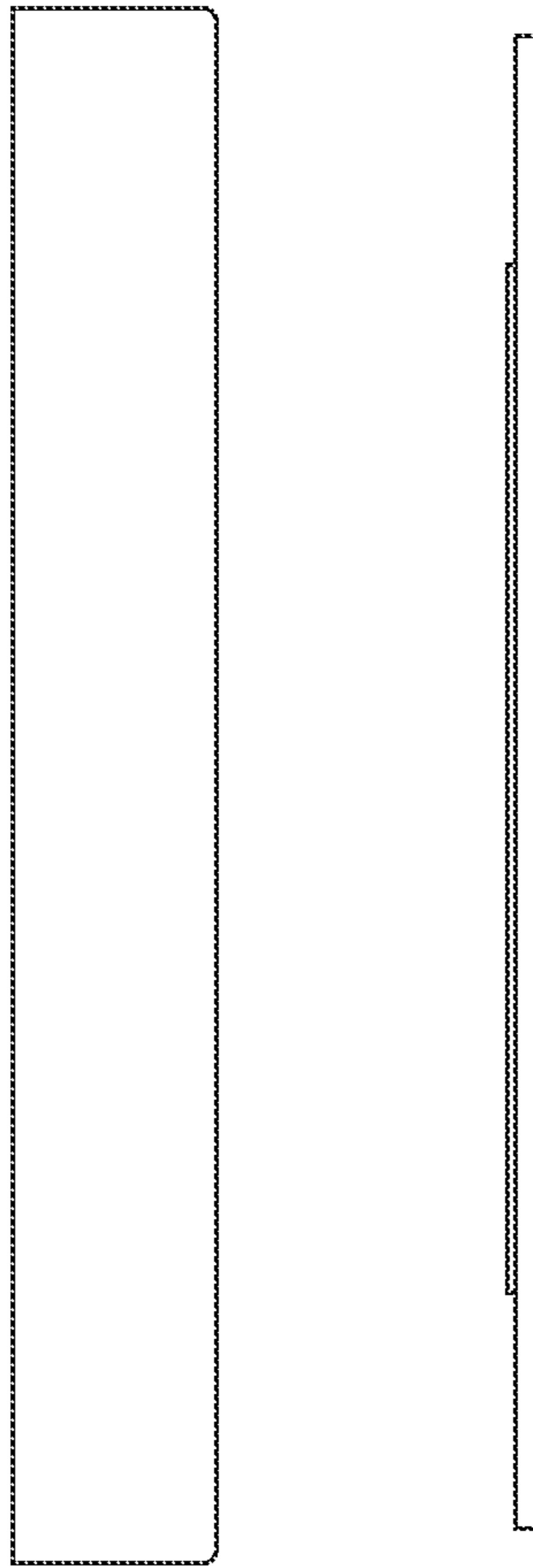


FIG. 46

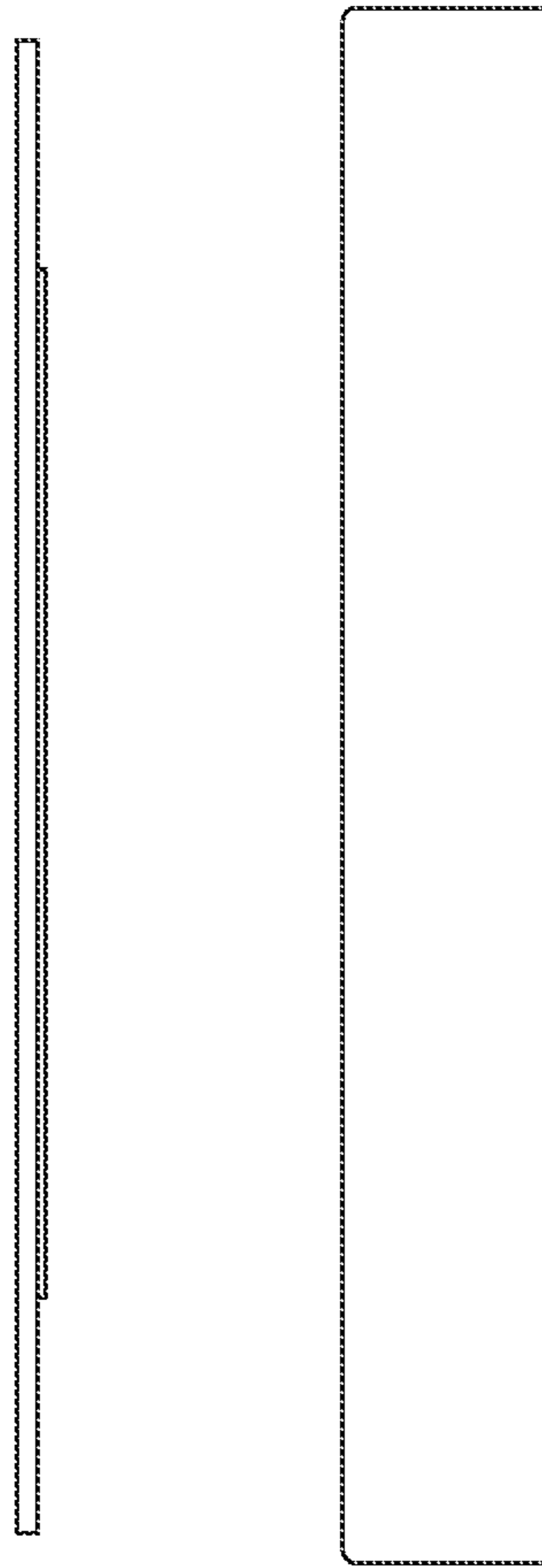


FIG.47



FIG.48

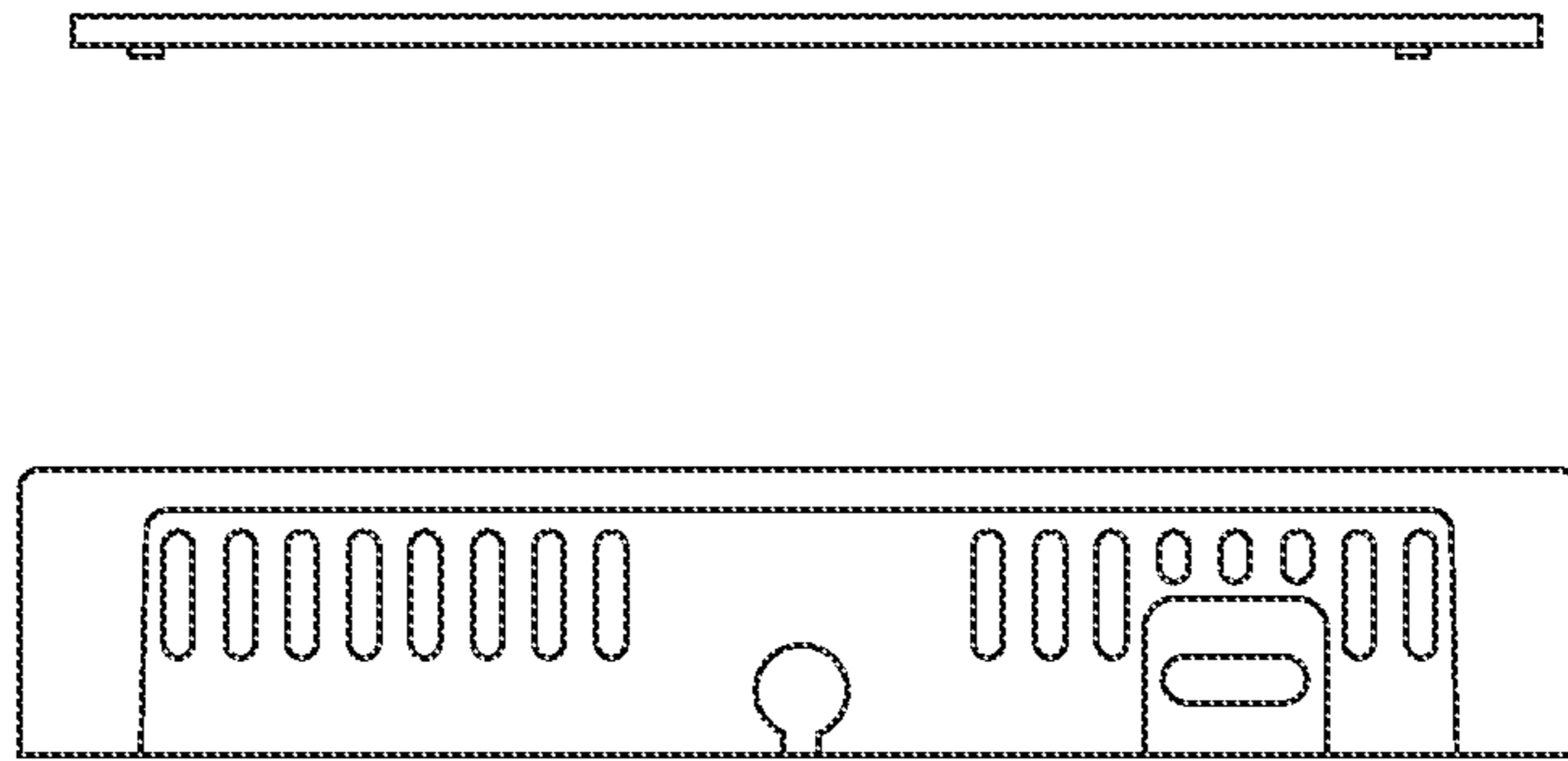


FIG.49

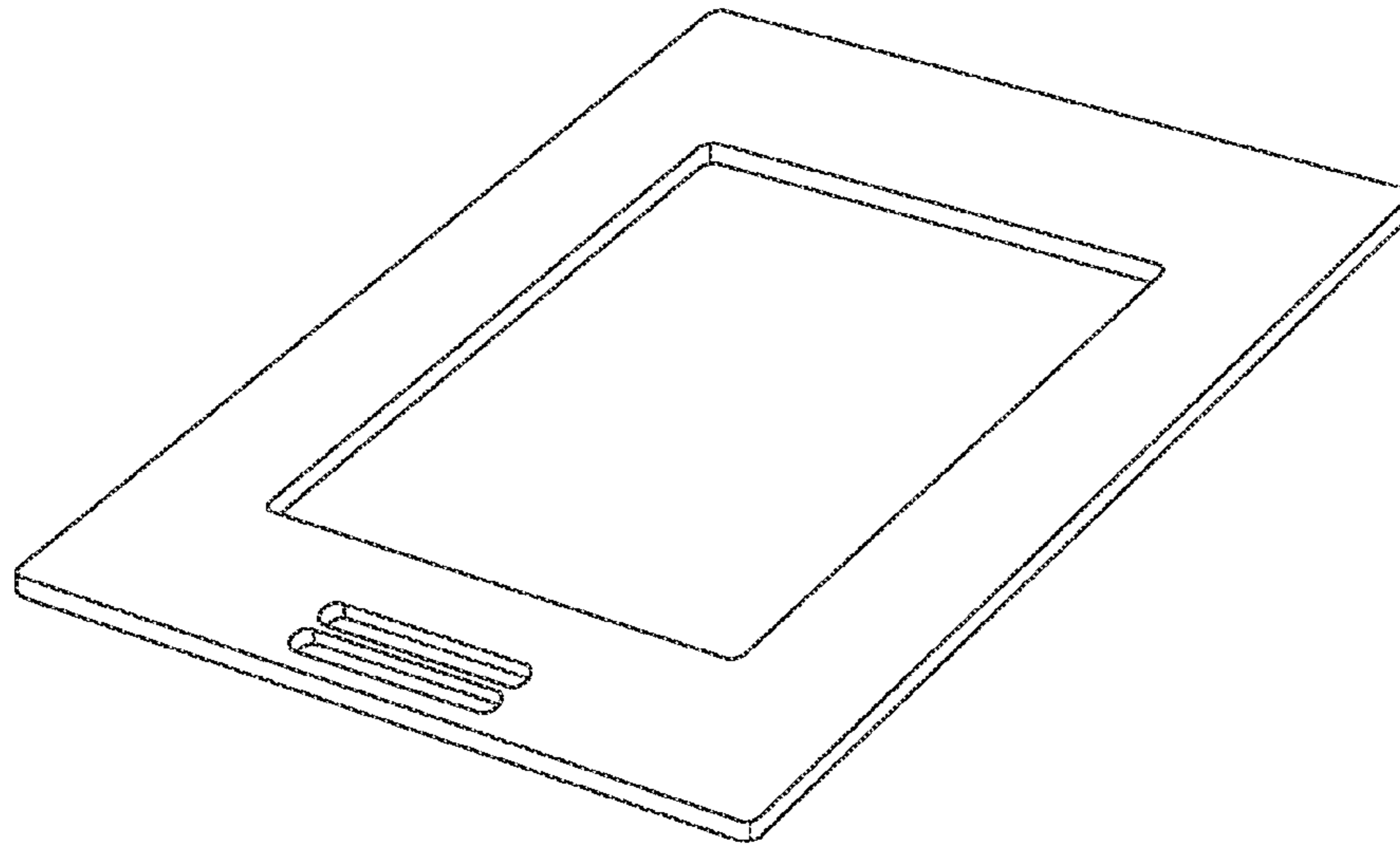


FIG.50

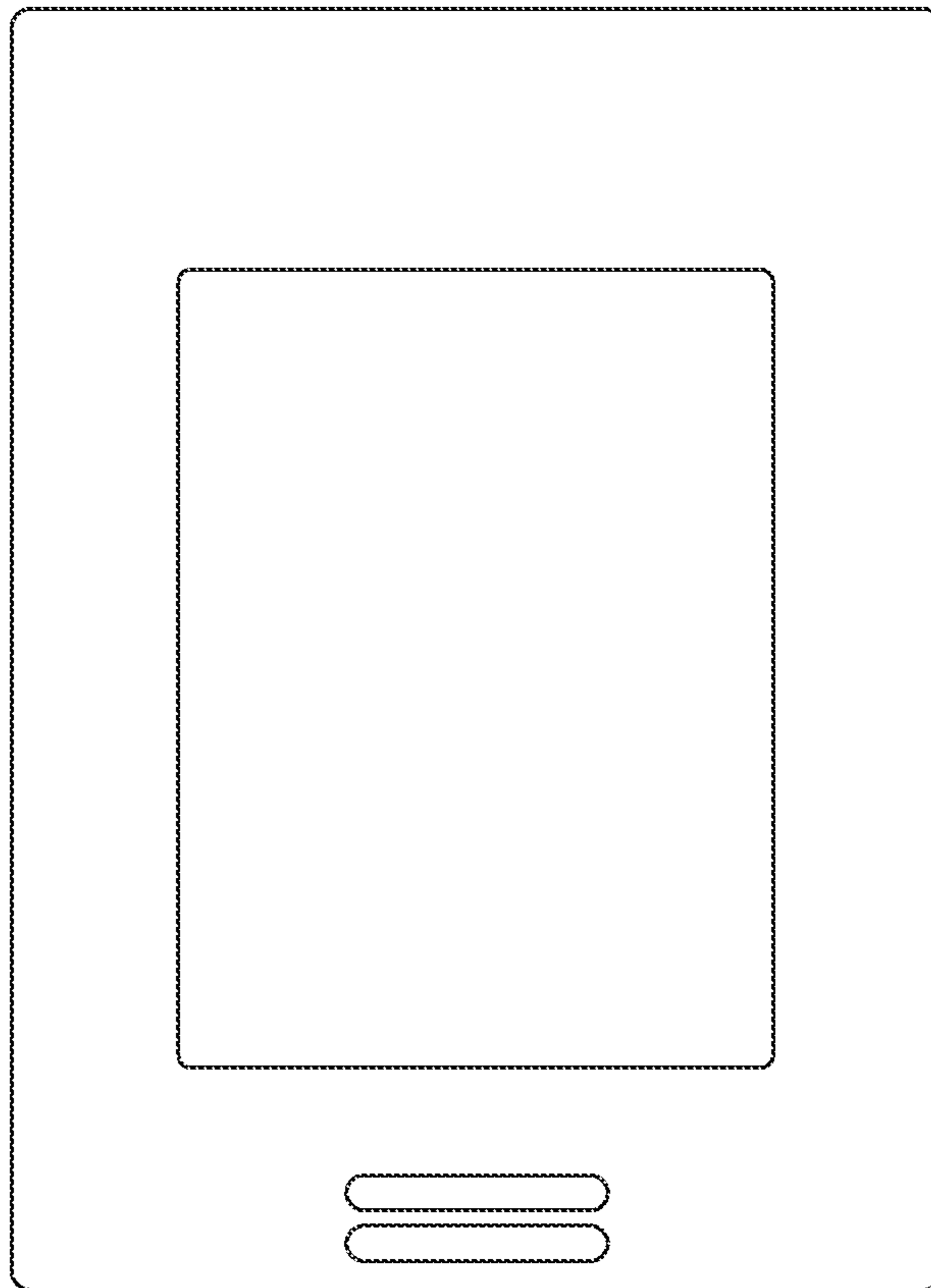


FIG. 51

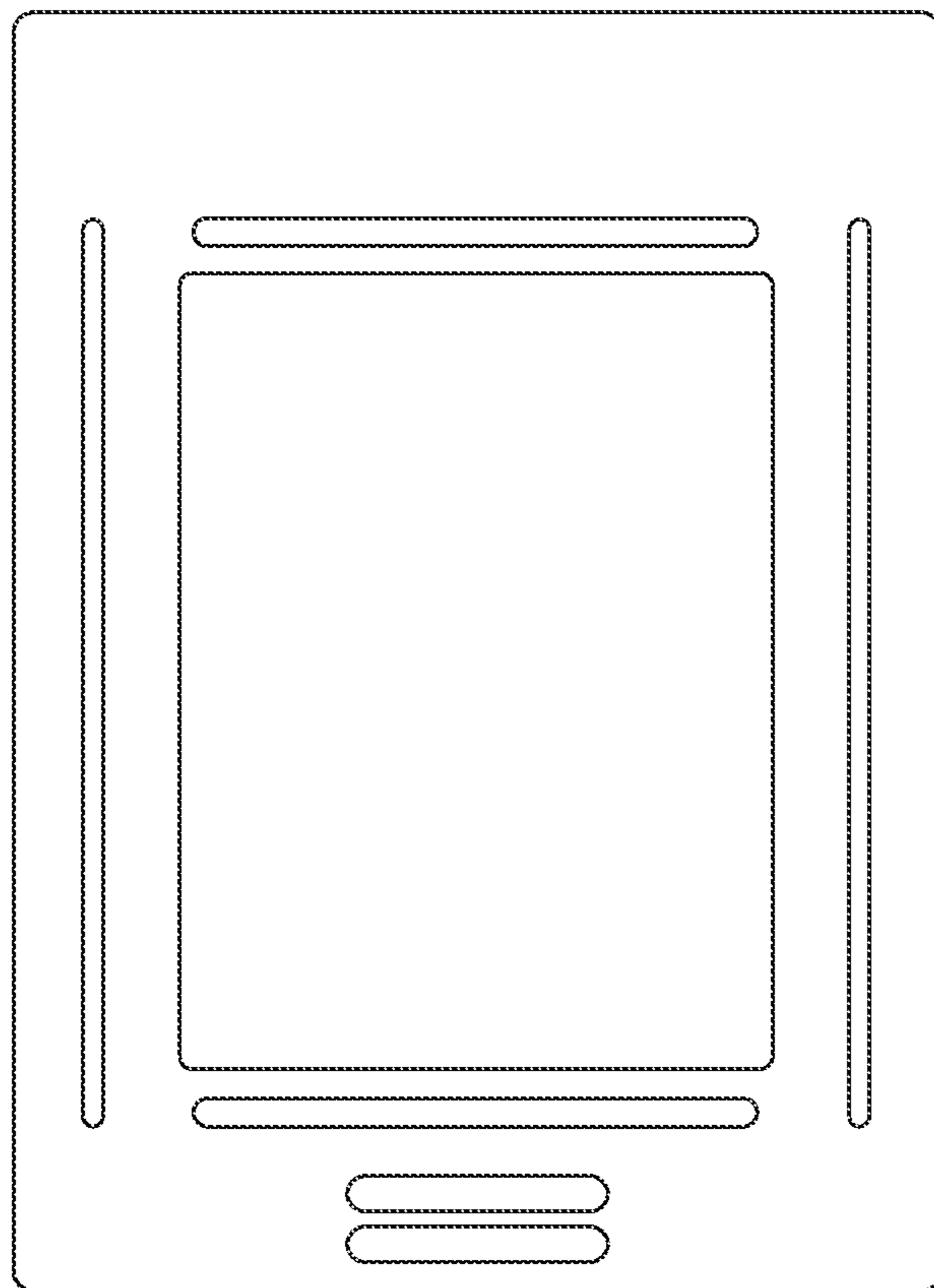


FIG. 52



FIG. 53



FIG. 54



FIG. 55

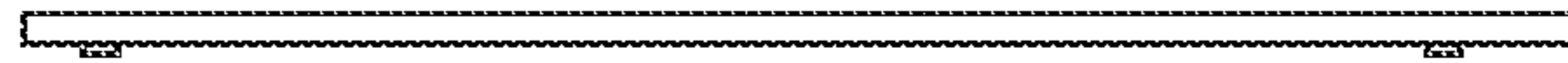


FIG. 56

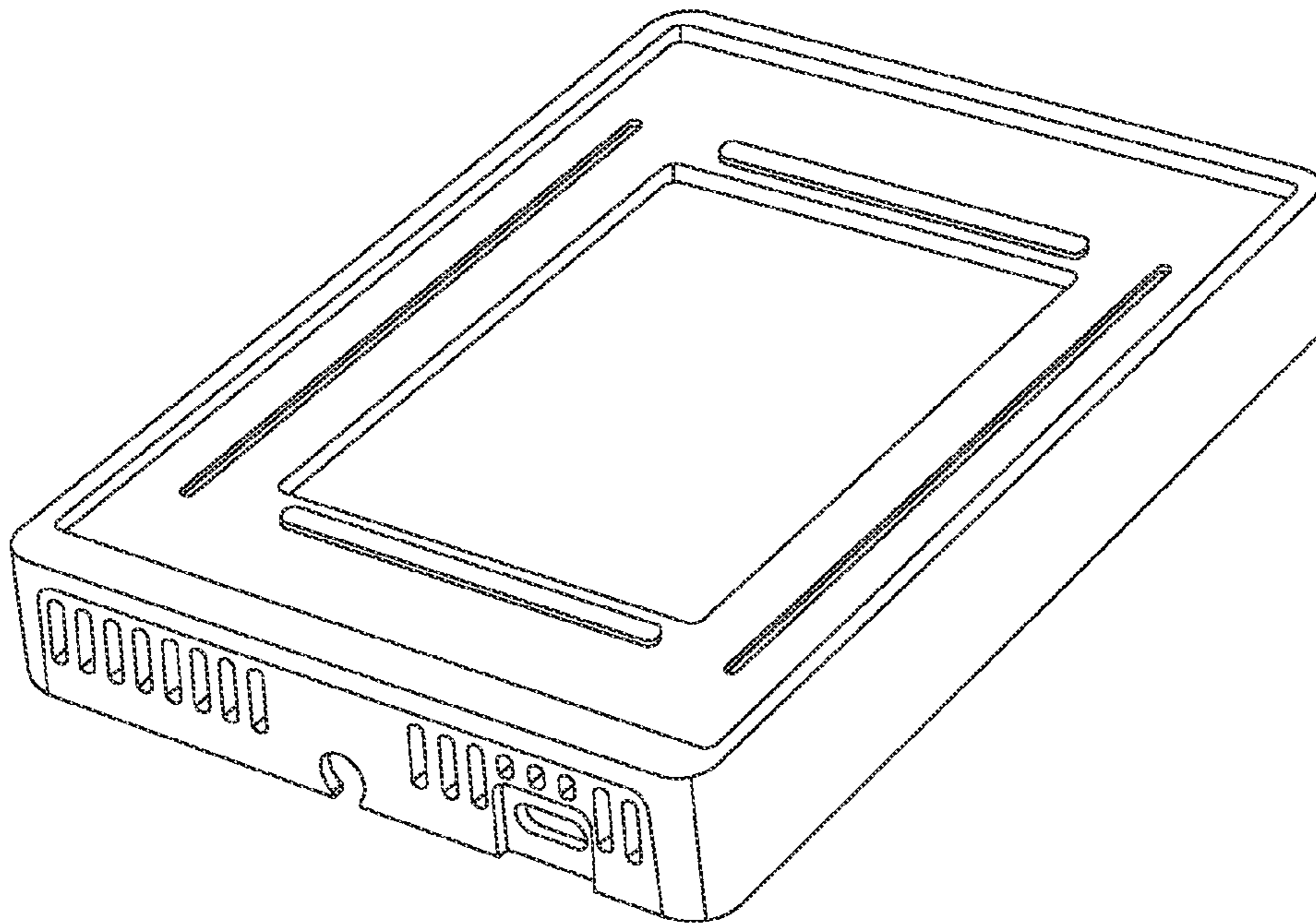


FIG.57

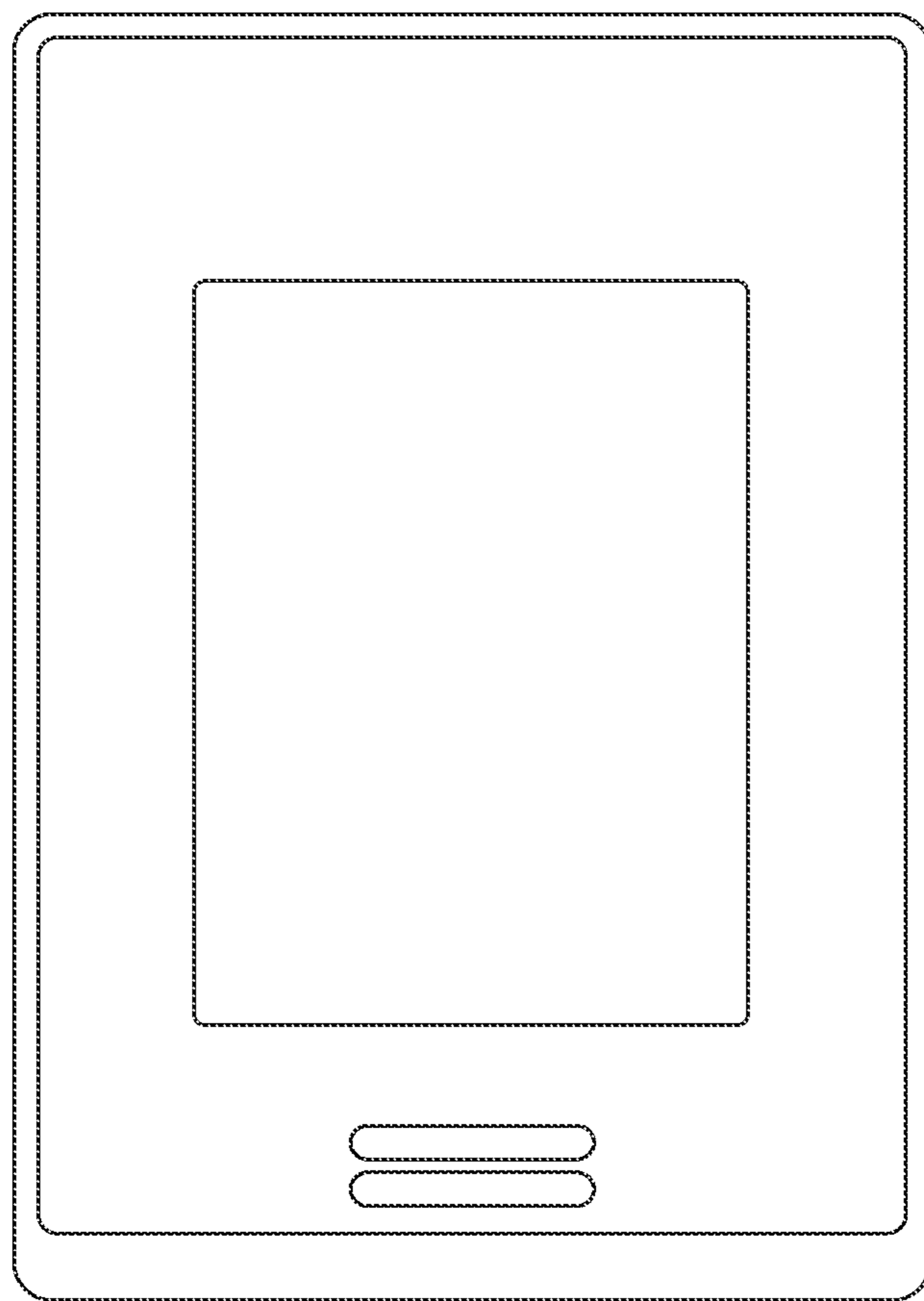


FIG. 58

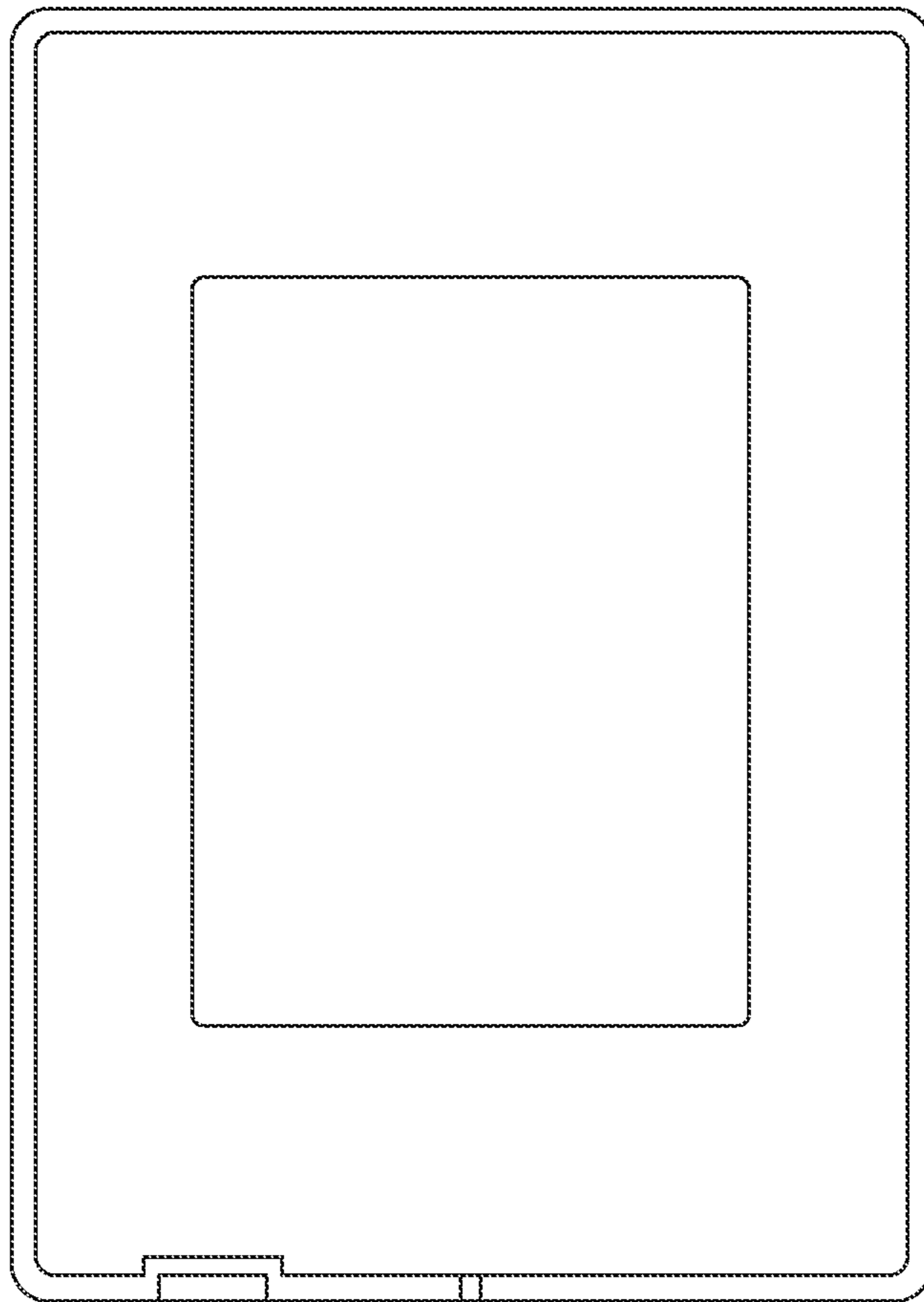


FIG. 59

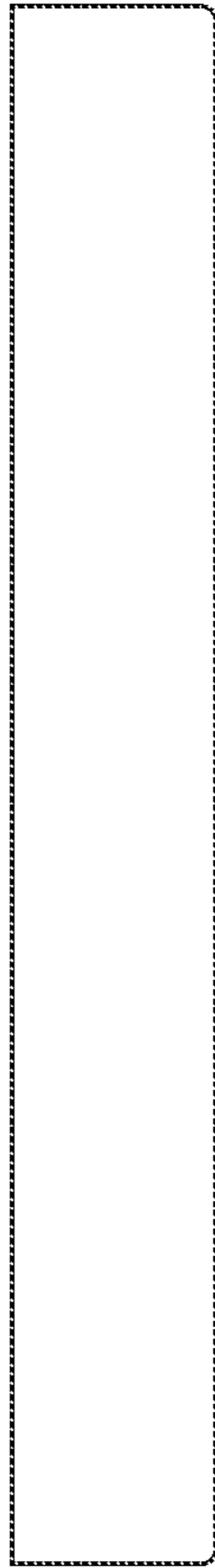


FIG. 60



FIG. 61



FIG. 62

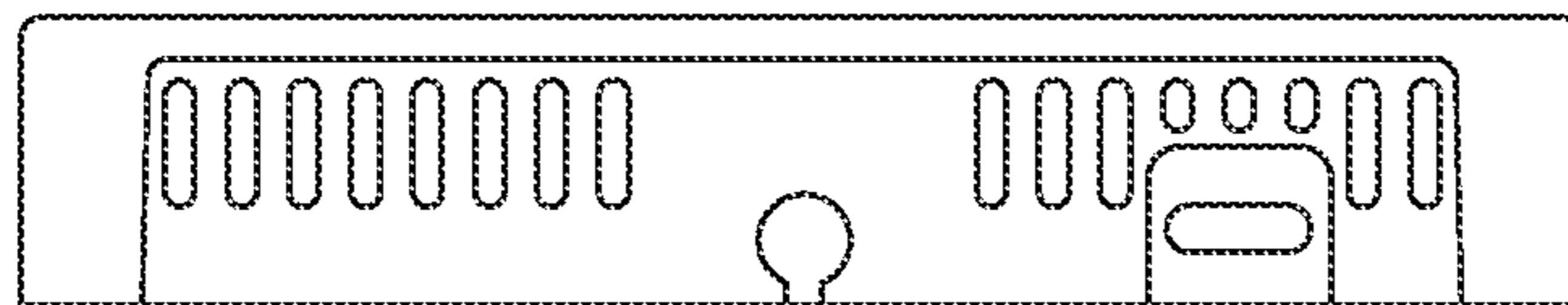


FIG. 63

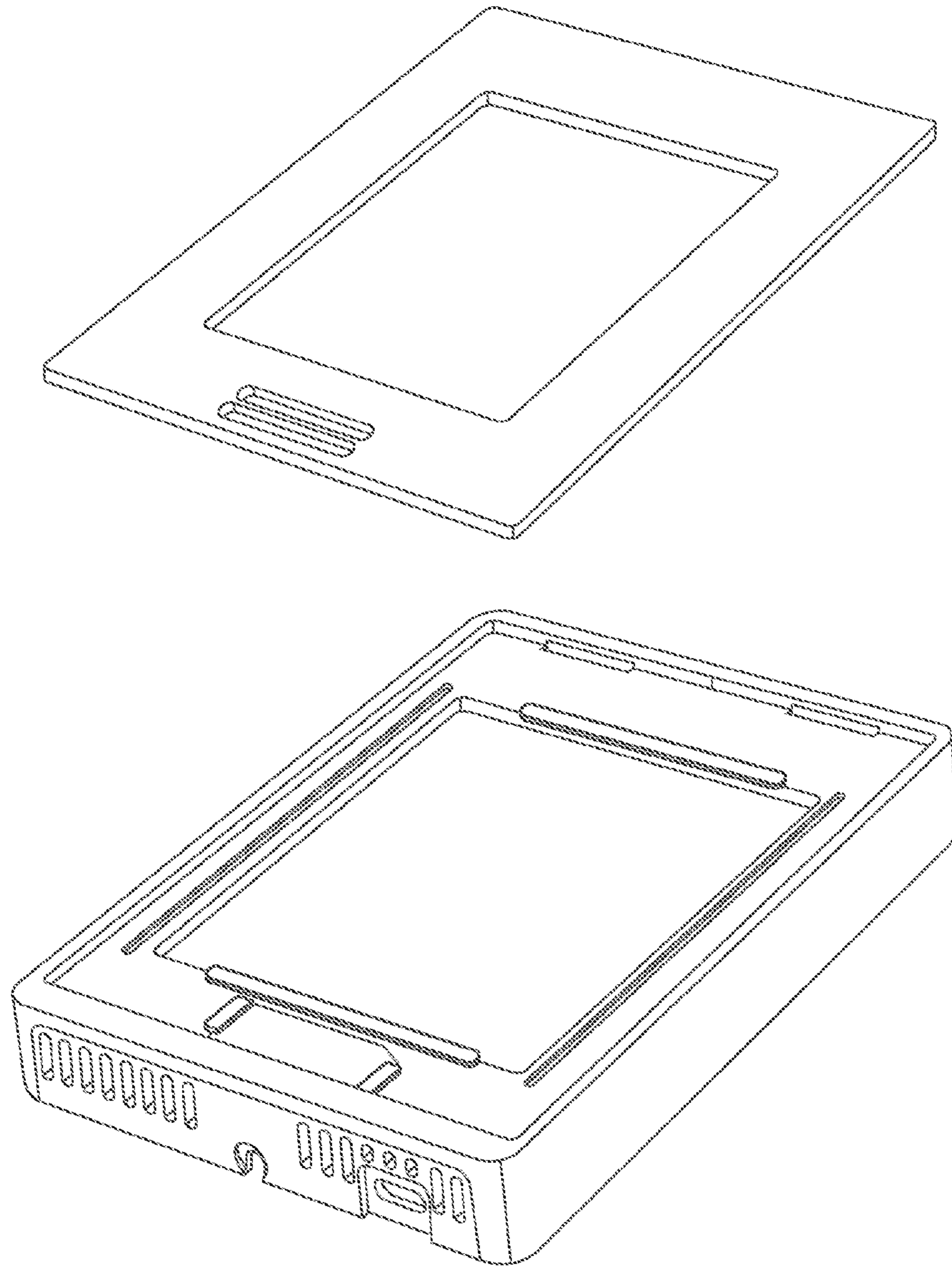


FIG. 64

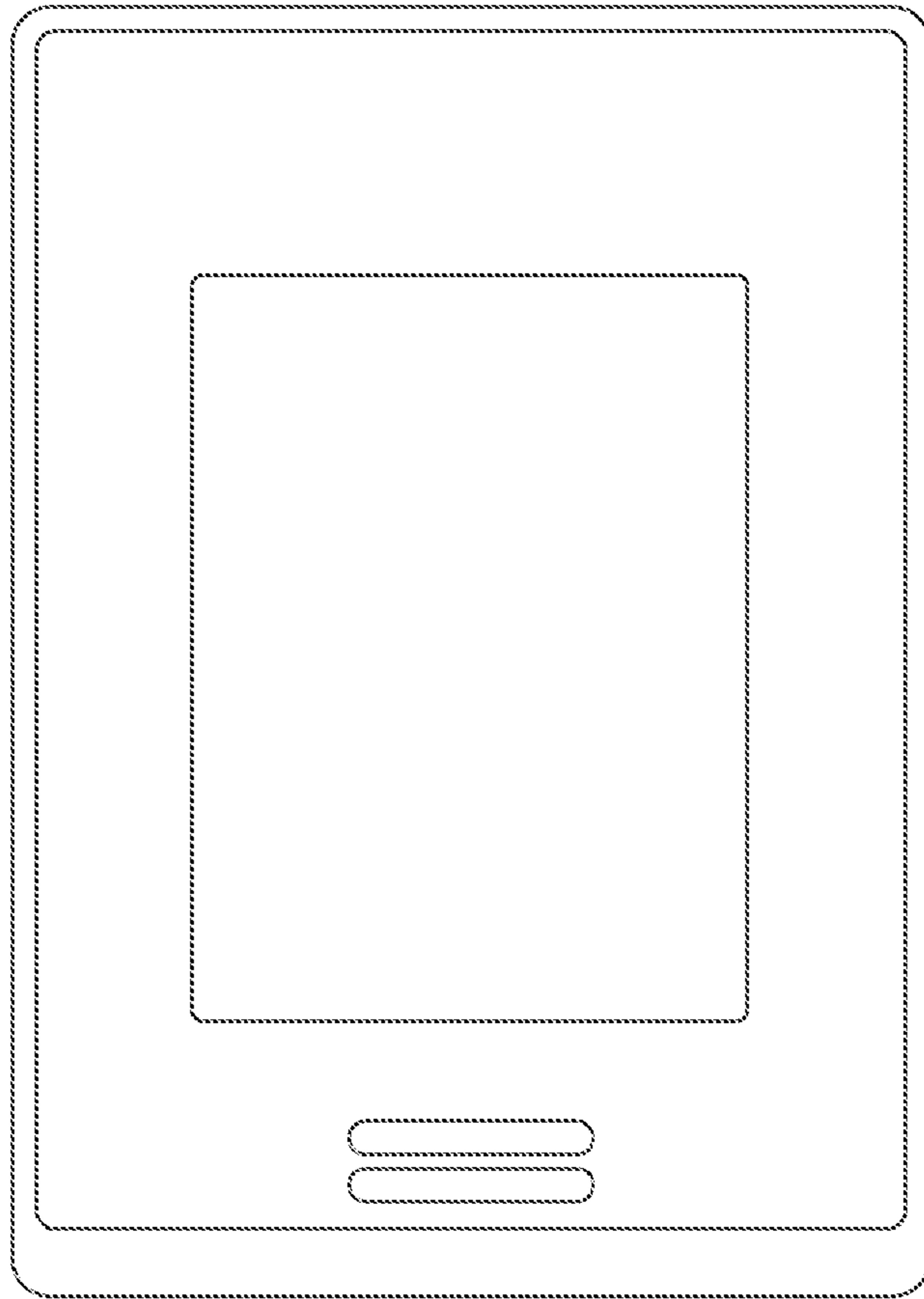


FIG. 65

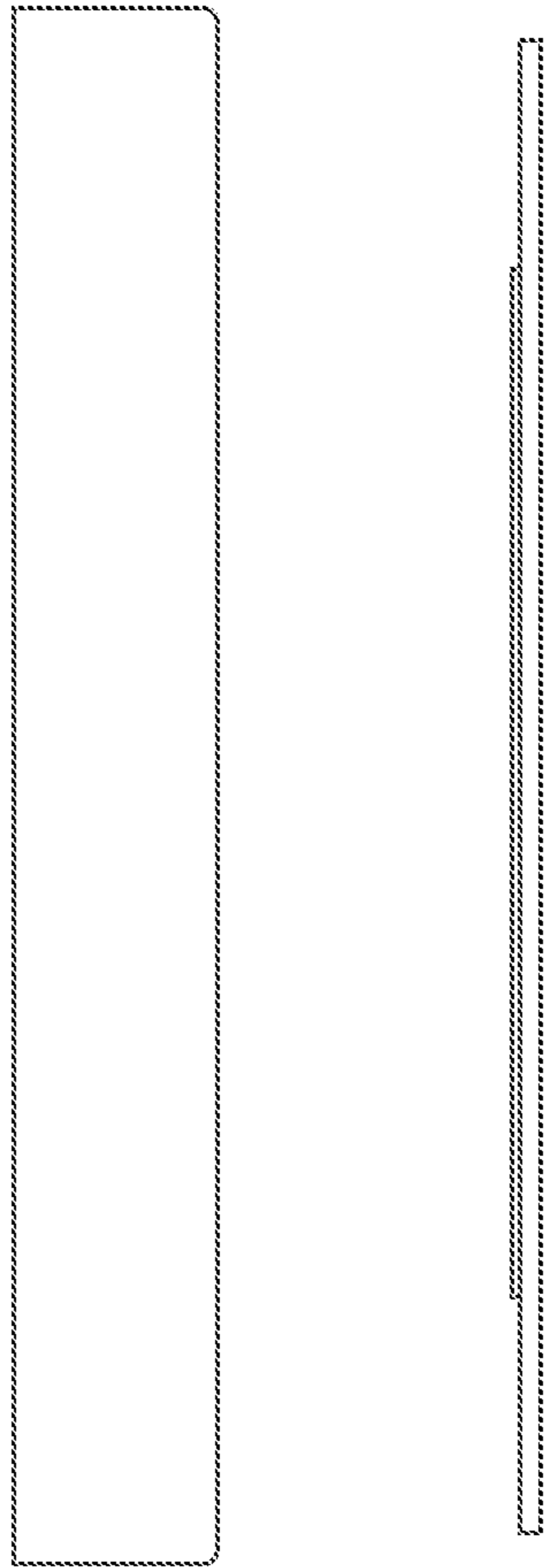


FIG. 66

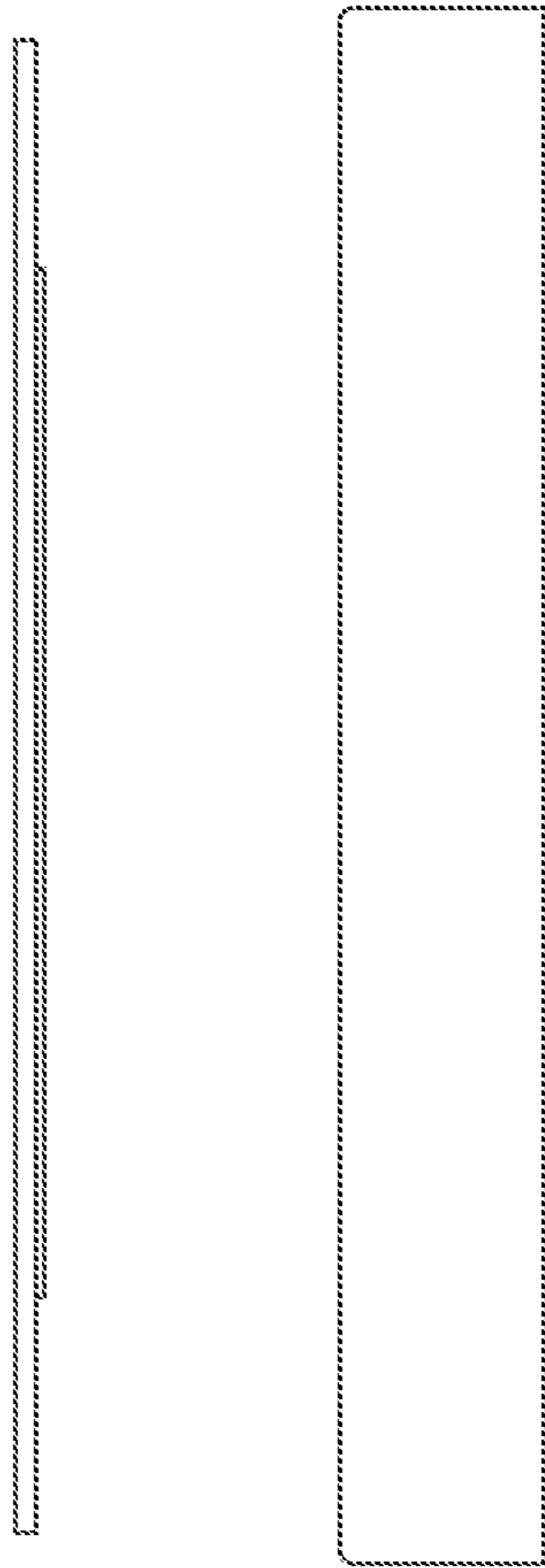


FIG. 67

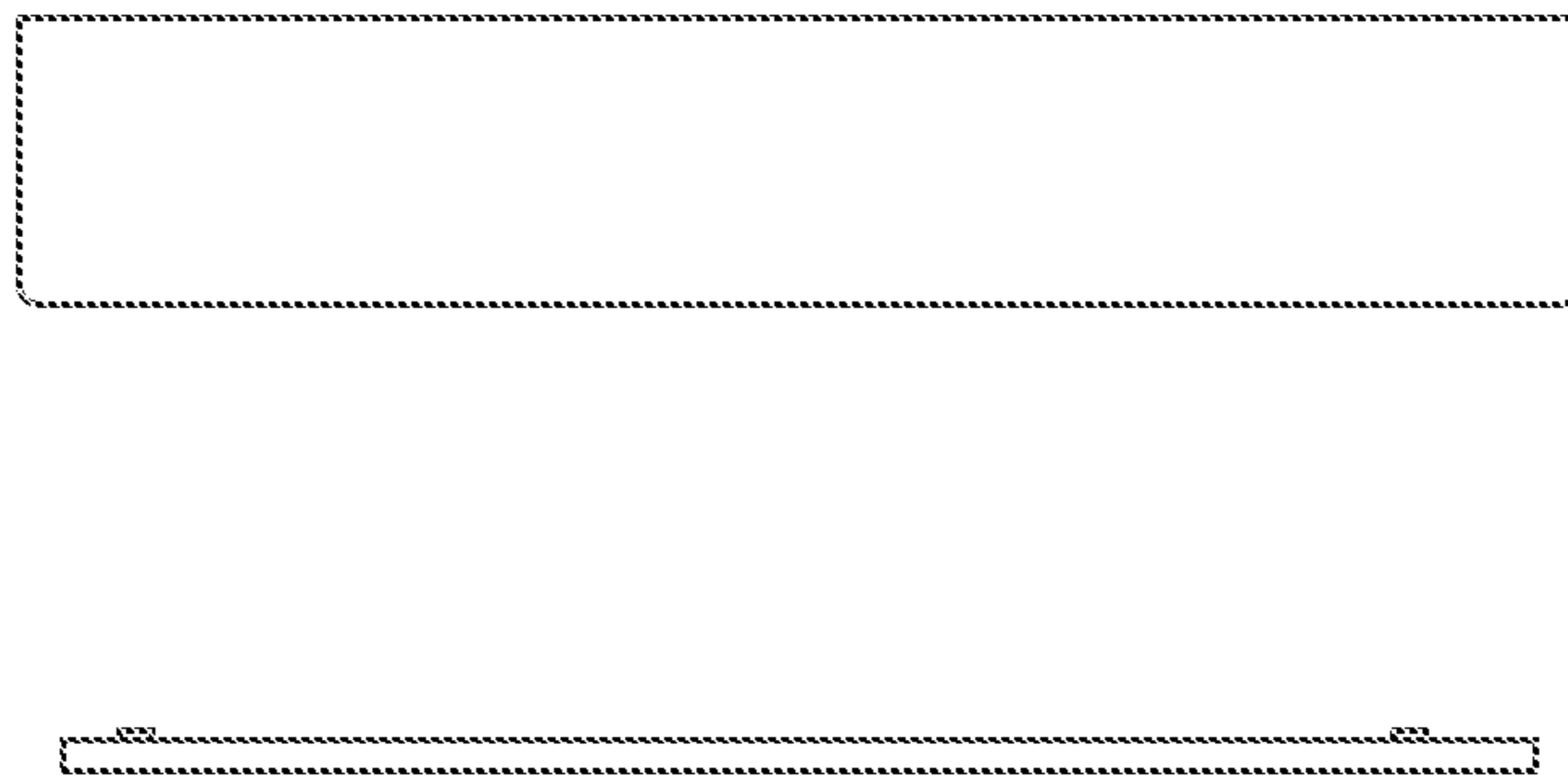


FIG. 68

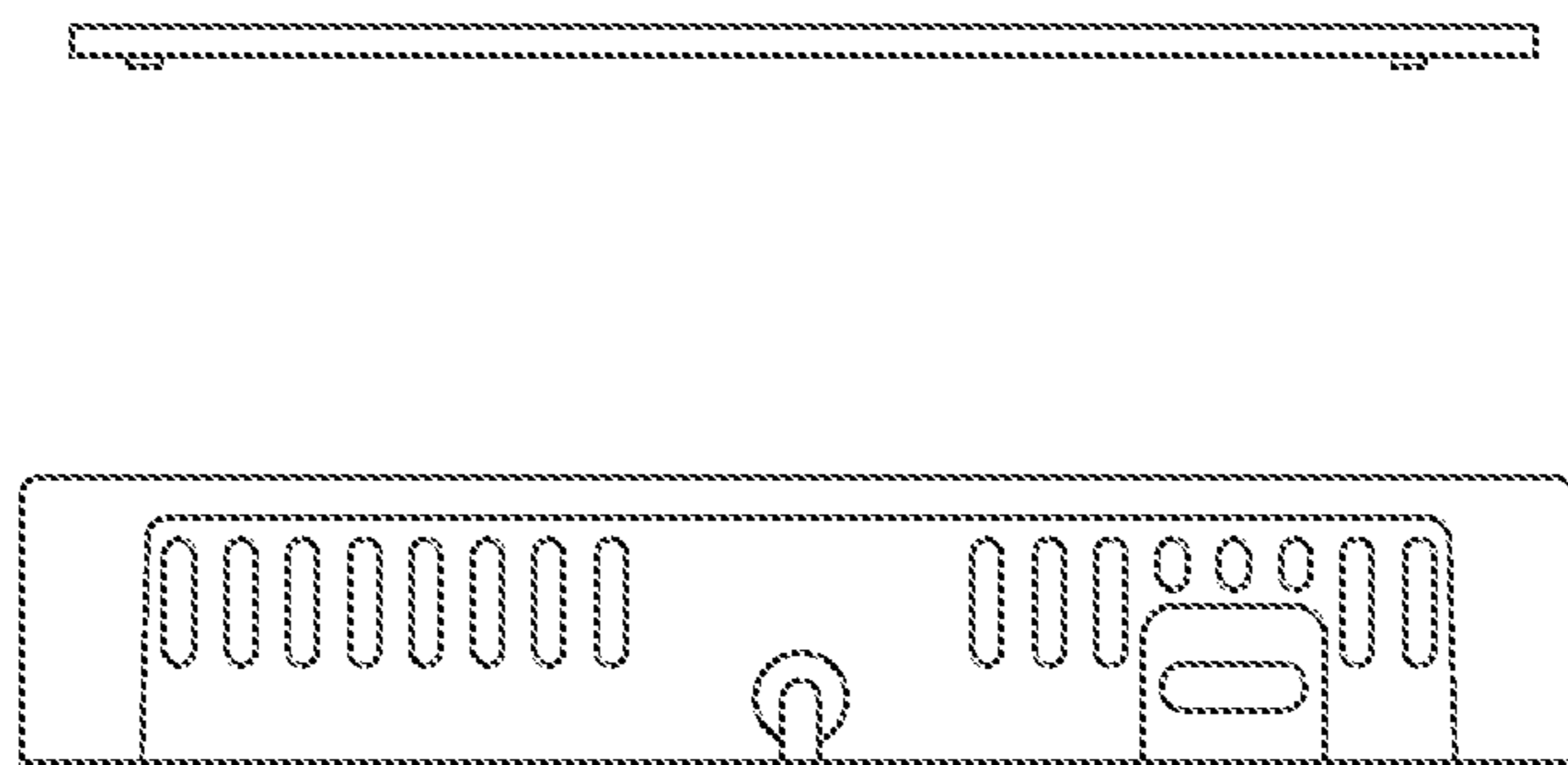


FIG. 69

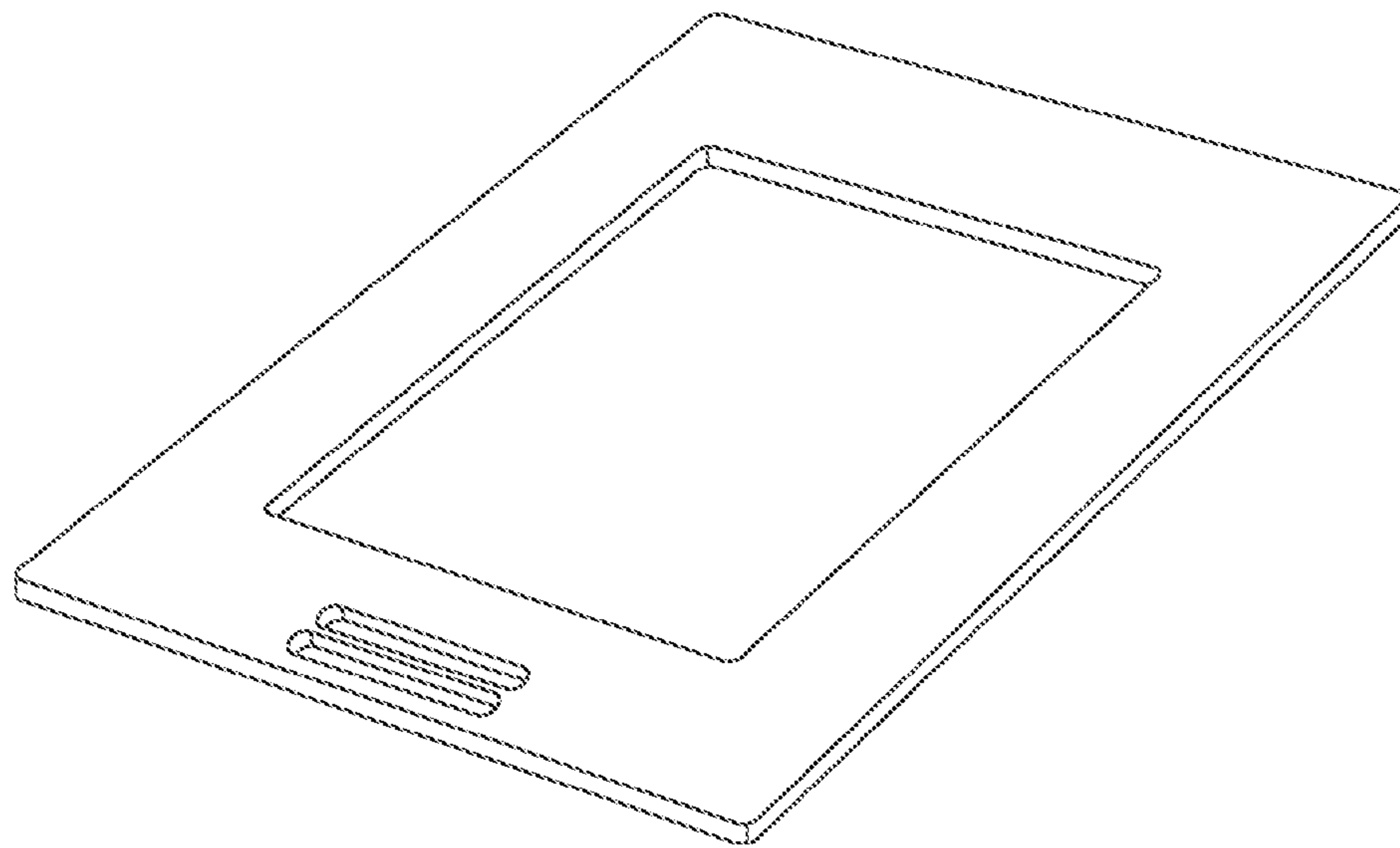


FIG. 70

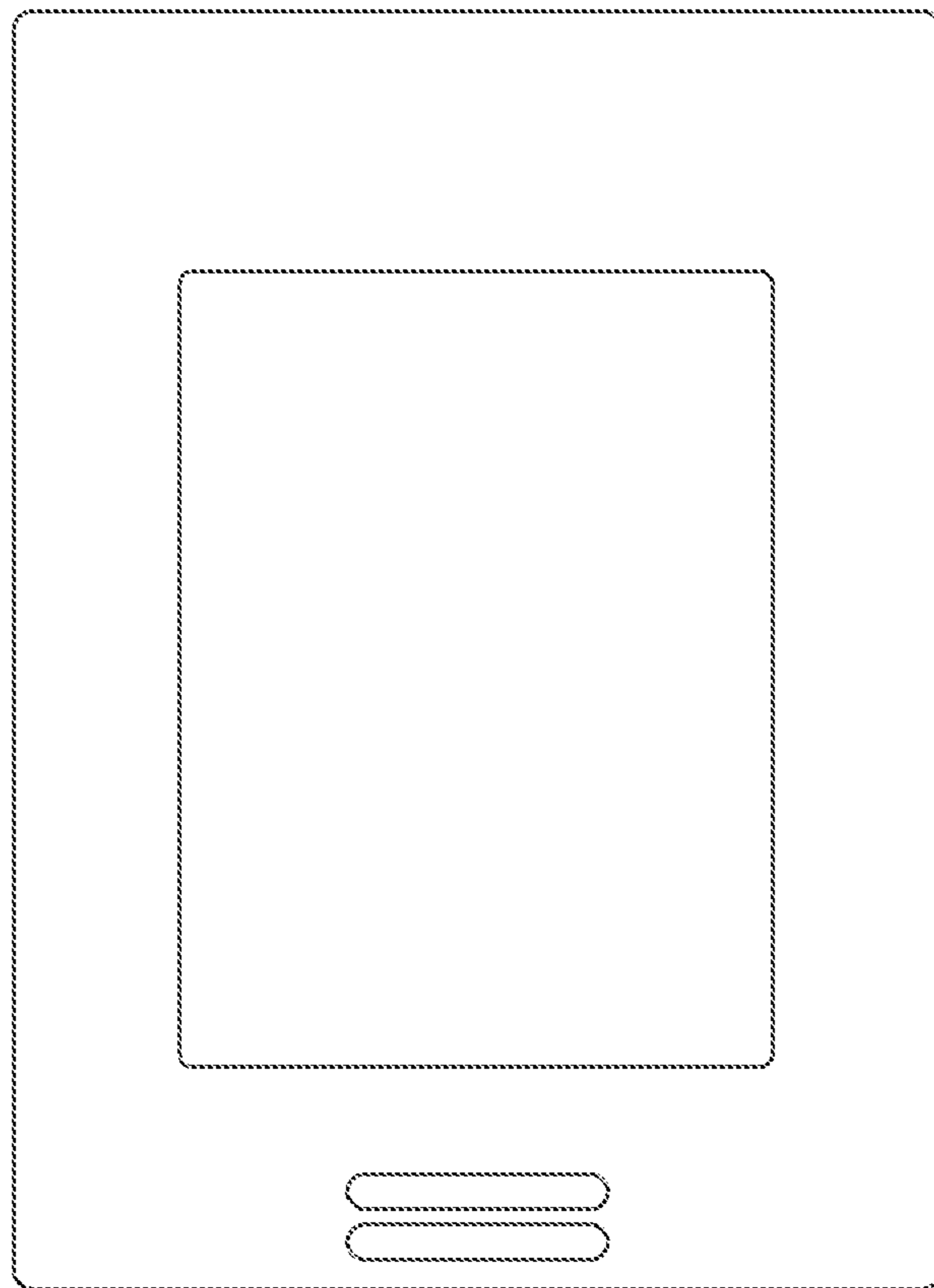


FIG. 71

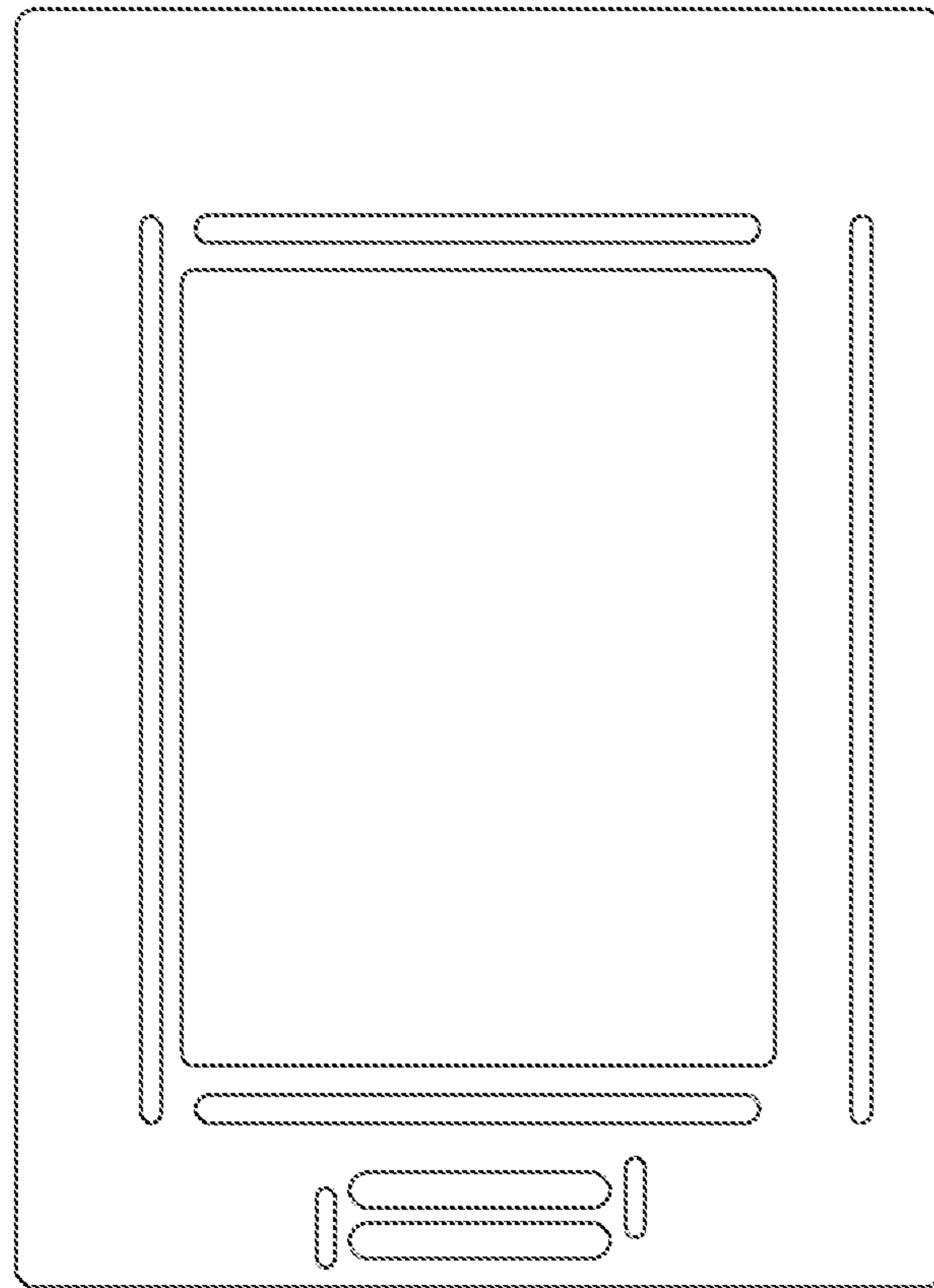


FIG. 72

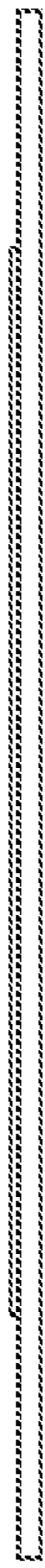


FIG. 73

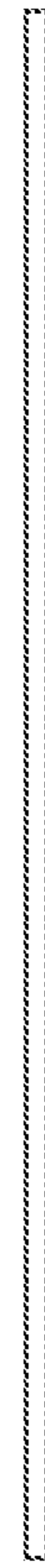


FIG. 74

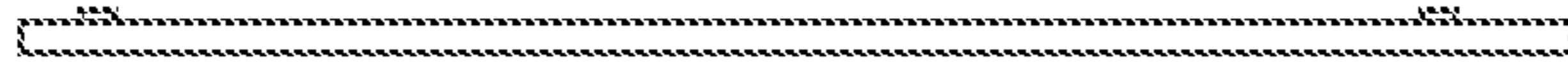


FIG. 75

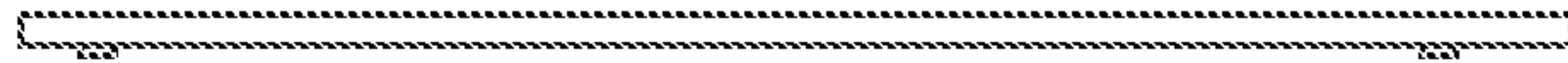


FIG. 76

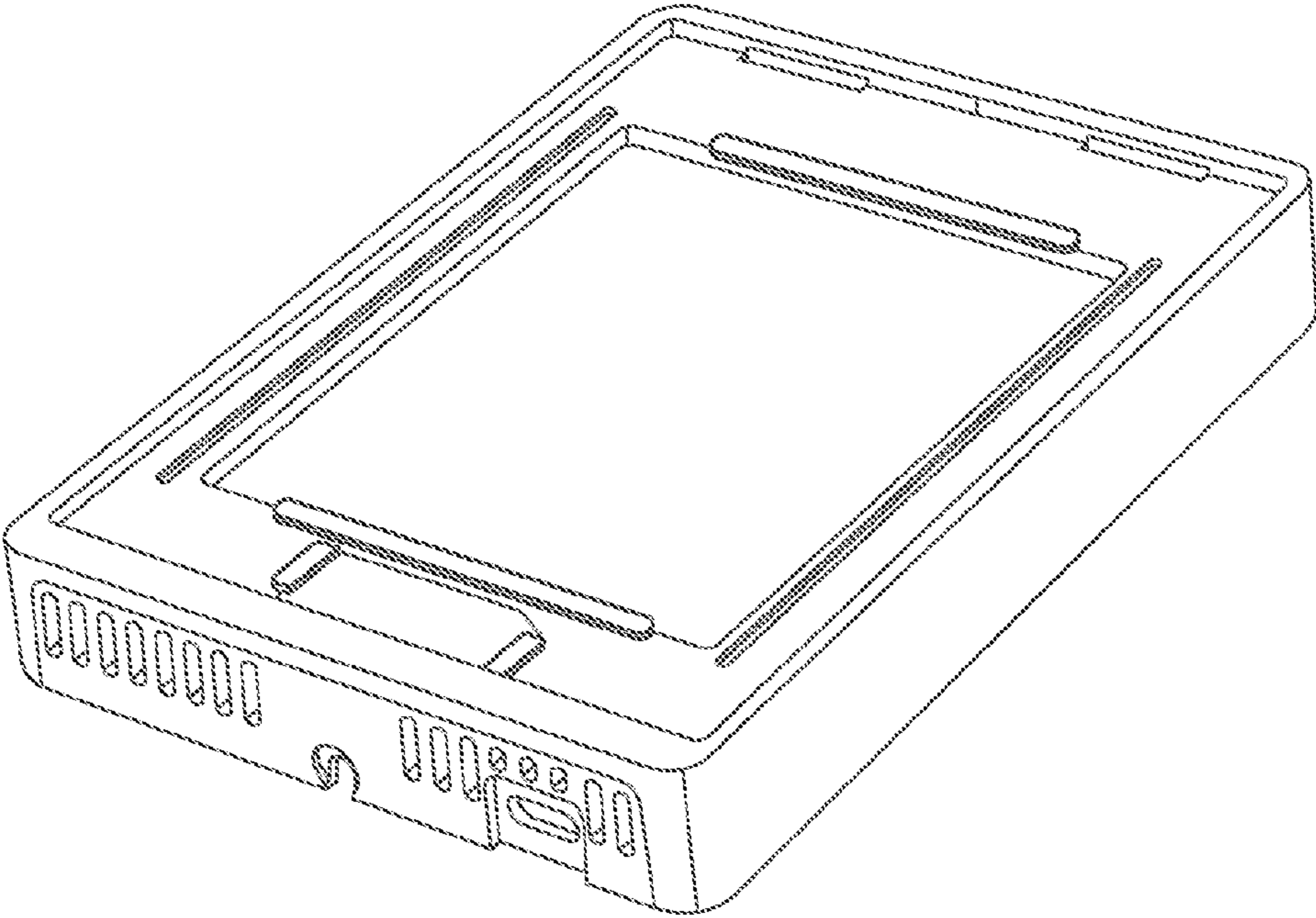


FIG. 77

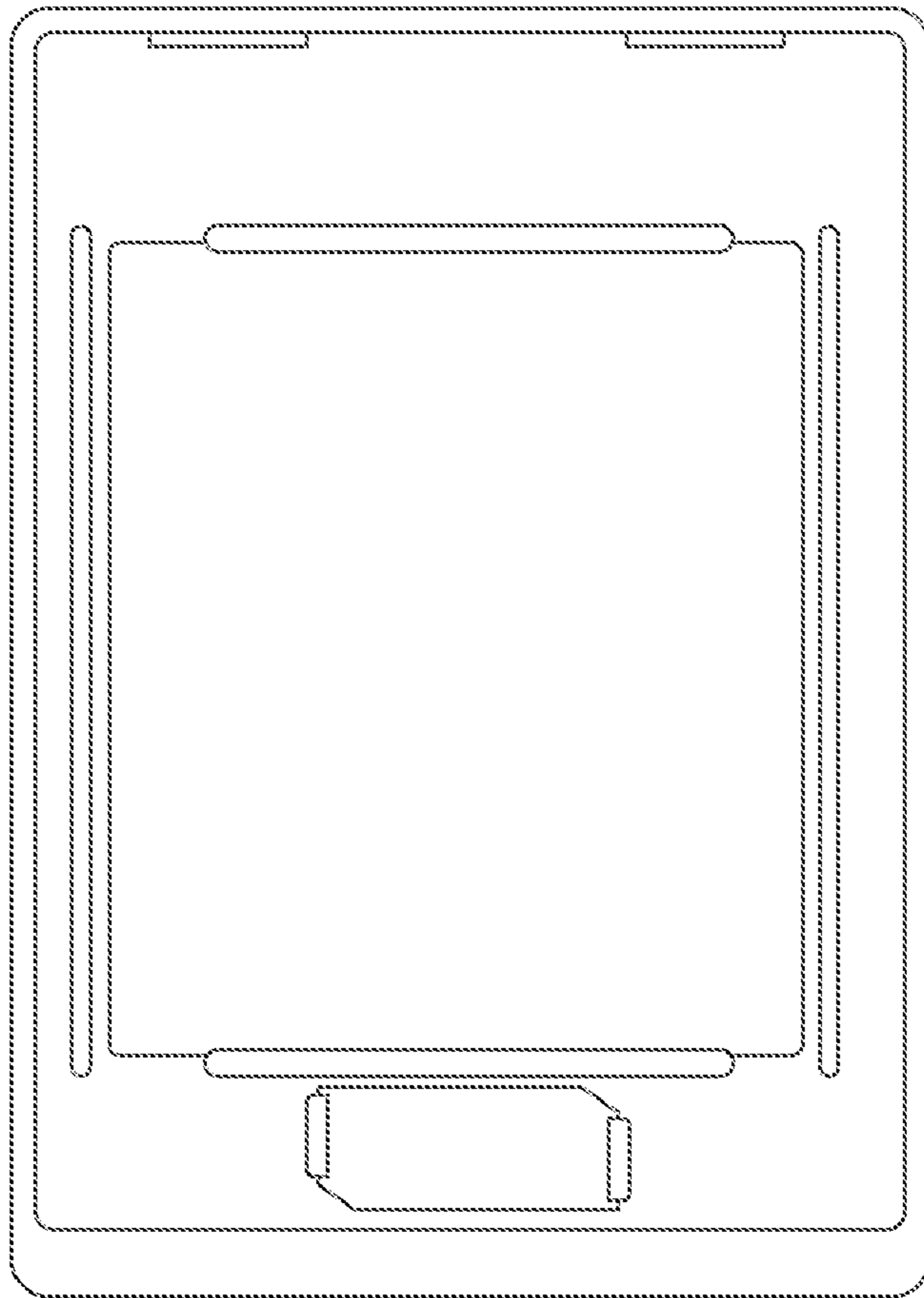


FIG. 78

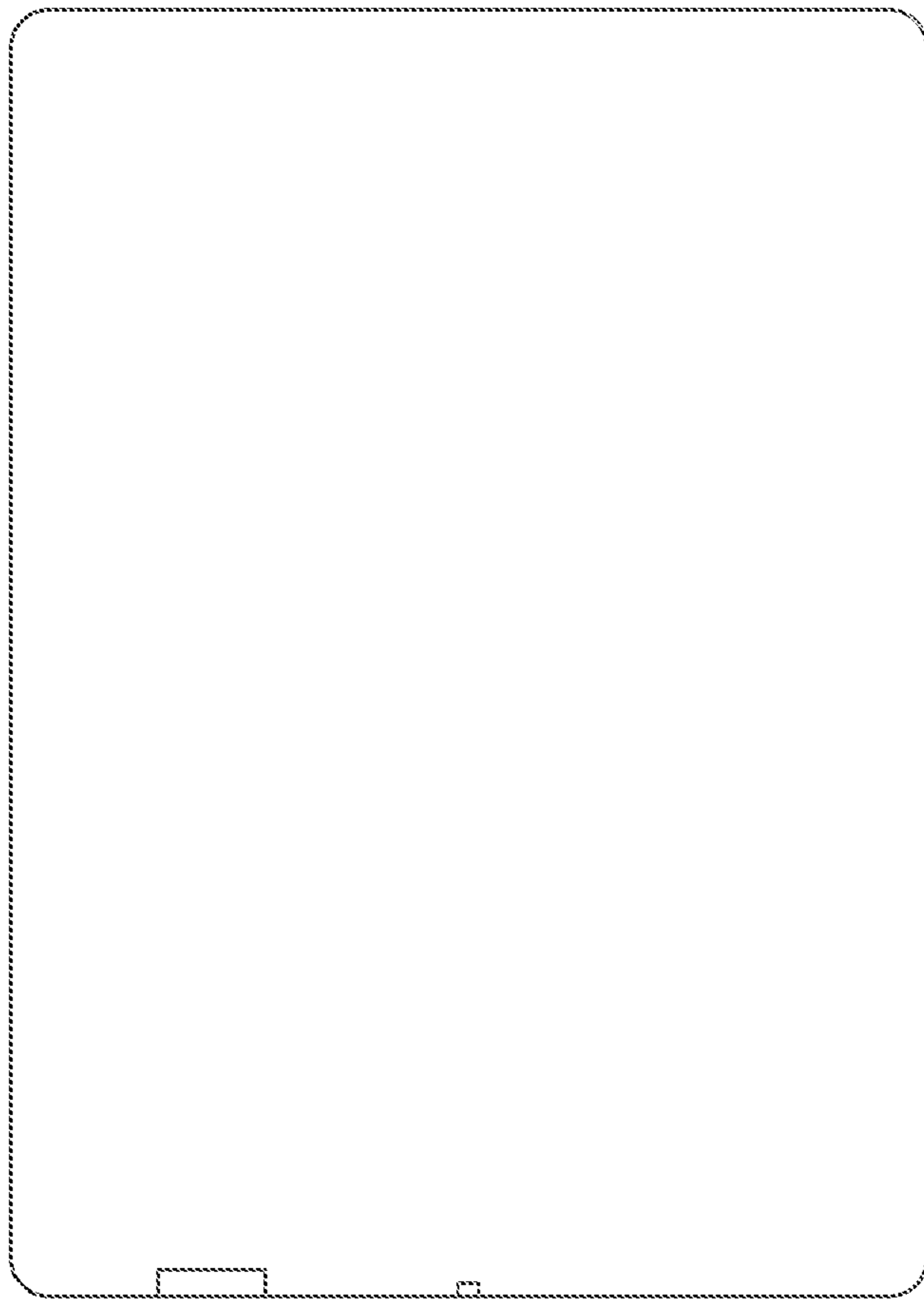


FIG. 79

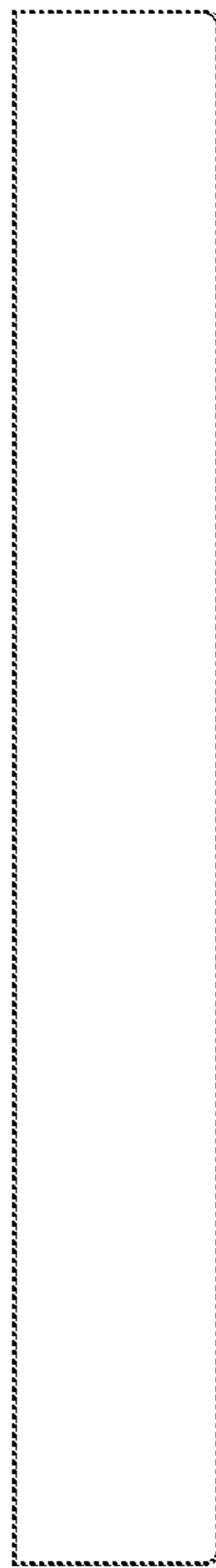


FIG. 80



FIG. 81



FIG. 82

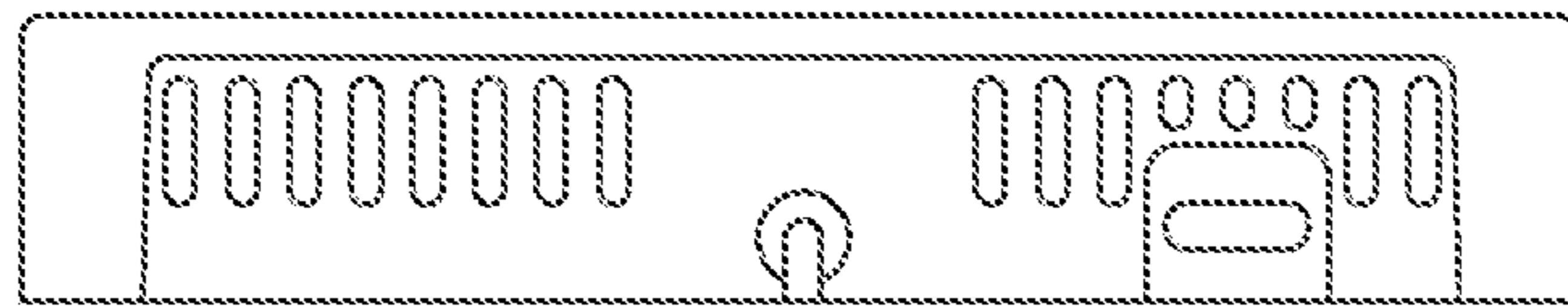


FIG. 83