



US00D733586S

(12) **United States Design Patent**
Karlsson et al.

(10) **Patent No.:** **US D733,586 S**

(45) **Date of Patent:** **** Jul. 7, 2015**

(54) **COMPACT SENSOR 1-5**

(71) Applicant: **Eltex of Sweden AB**, Osby (SE)

(72) Inventors: **Bengt Karlsson**, Älmhult (SE); **Jonas Hansson**, Osby (SE); **Brian Hicks**, Greenville, SC (US)

(73) Assignee: **ELTEX OF SWEDEN AB**, Osby (SE)

(**) Term: **14 Years**

(21) Appl. No.: **29/490,798**

(22) Filed: **May 13, 2014**

(30) **Foreign Application Priority Data**

Dec. 11, 2013 (EM) 002367383-0001

(51) **LOC (10) Cl.** **10-04**

(52) **U.S. Cl.**
USPC **D10/46**

(58) **Field of Classification Search**
USPC D10/46
CPC D05C 15/00; D05C 15/18
See application file for complete search history.

(56) **References Cited**

U.S. PATENT DOCUMENTS

3,843,883	A *	10/1974	De Vita et al.	250/233
4,186,672	A *	2/1980	Burton	112/273
4,970,974	A *	11/1990	Price	112/80.18
5,662,054	A *	9/1997	Bardsley	112/80.18
8,413,597	B1 *	4/2013	Samilo	112/80.16

* cited by examiner

Primary Examiner — Antoine D Davis

(74) *Attorney, Agent, or Firm* — McGinn IP Law Group, PLLC

(57) **CLAIM**

The ornamental design for a compact sensor **1-5**, as shown and described.

DESCRIPTION

FIG. 1 is a side view of the present invention.
FIG. 2 is a top view of the present invention.
FIG. 3 is a perspective view of the present invention.
FIG. 4 is another perspective view of the present invention; and,
FIG. 5 is a bottom perspective view of the present invention.

1 Claim, 5 Drawing Sheets

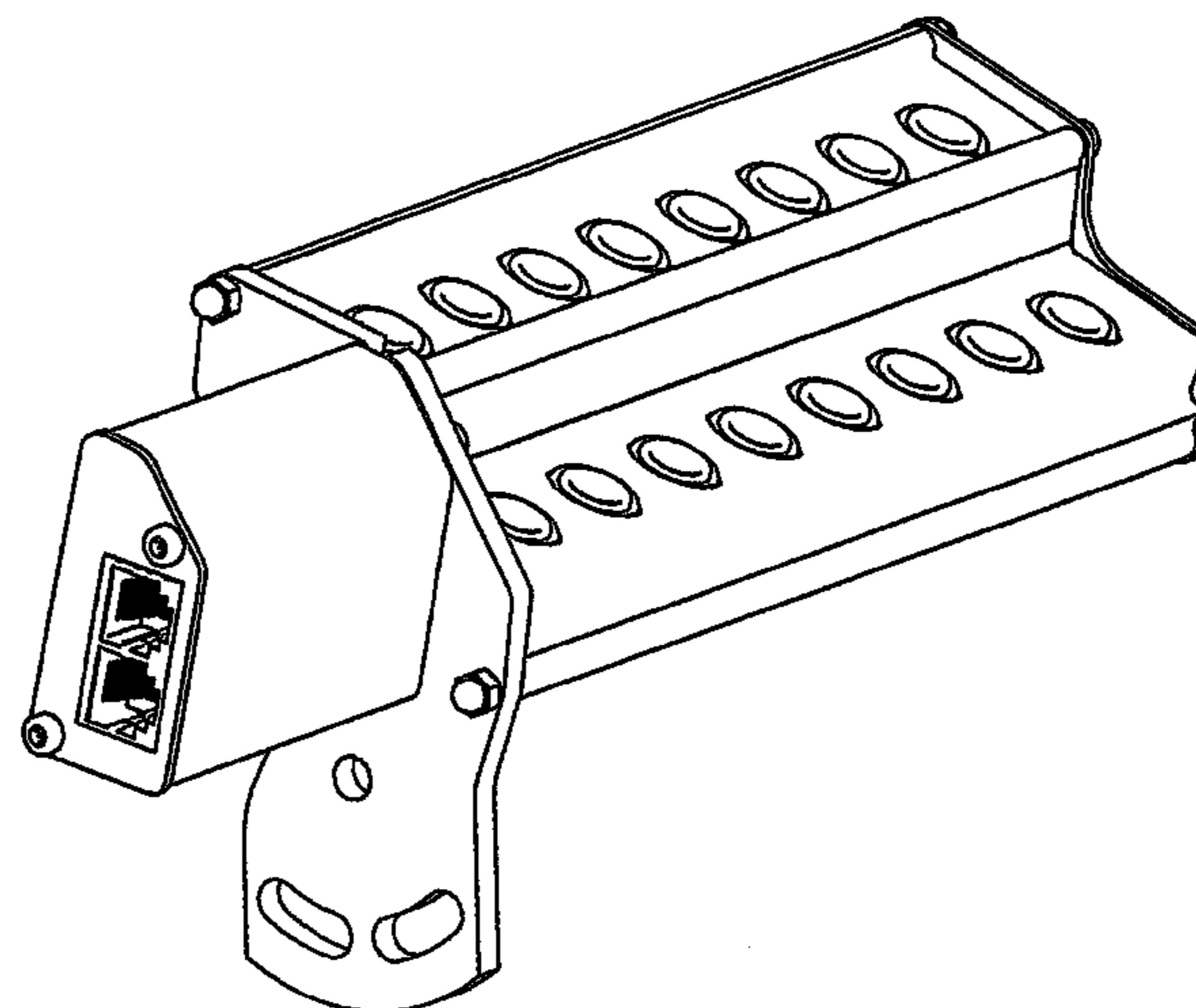
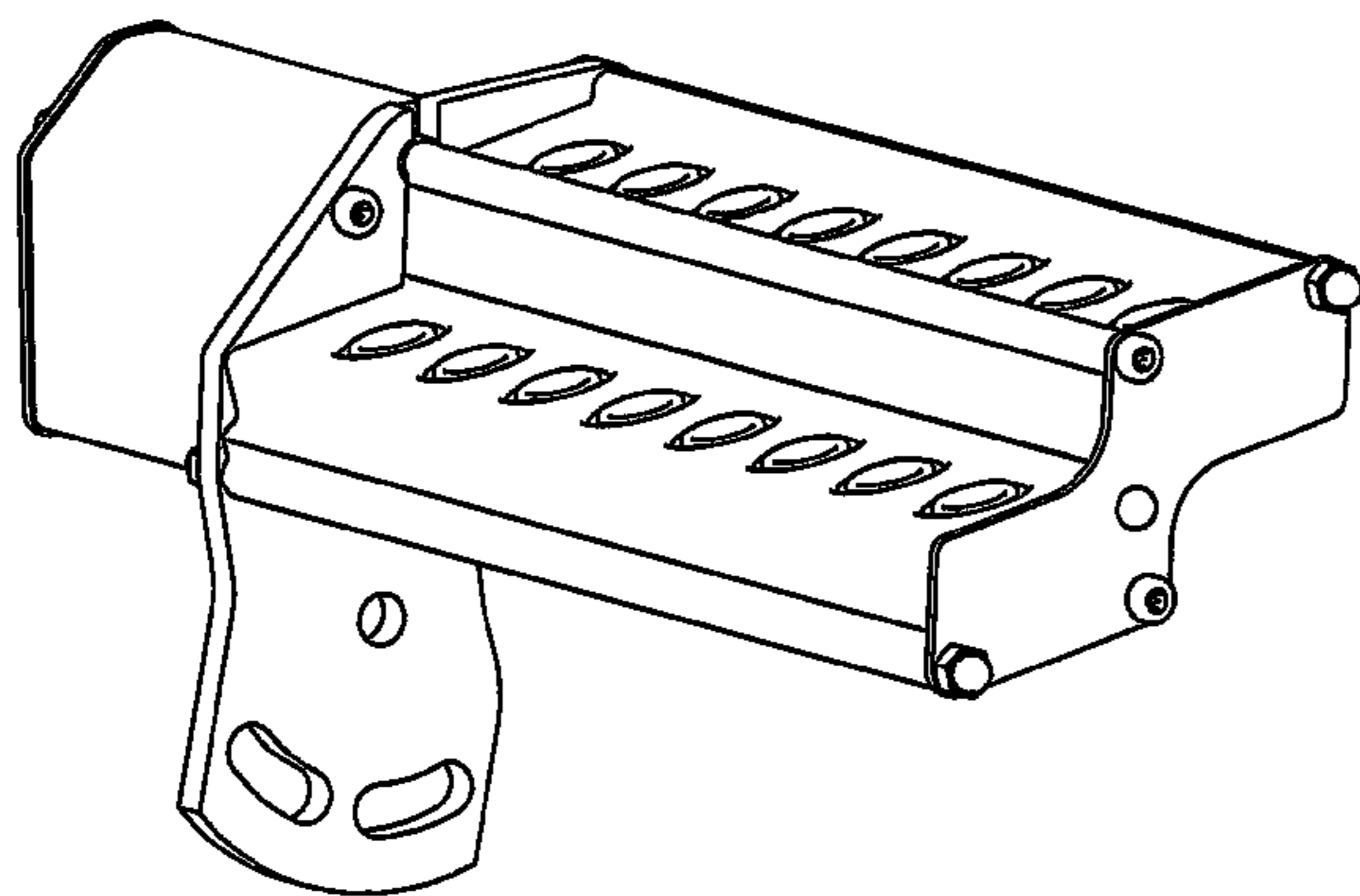
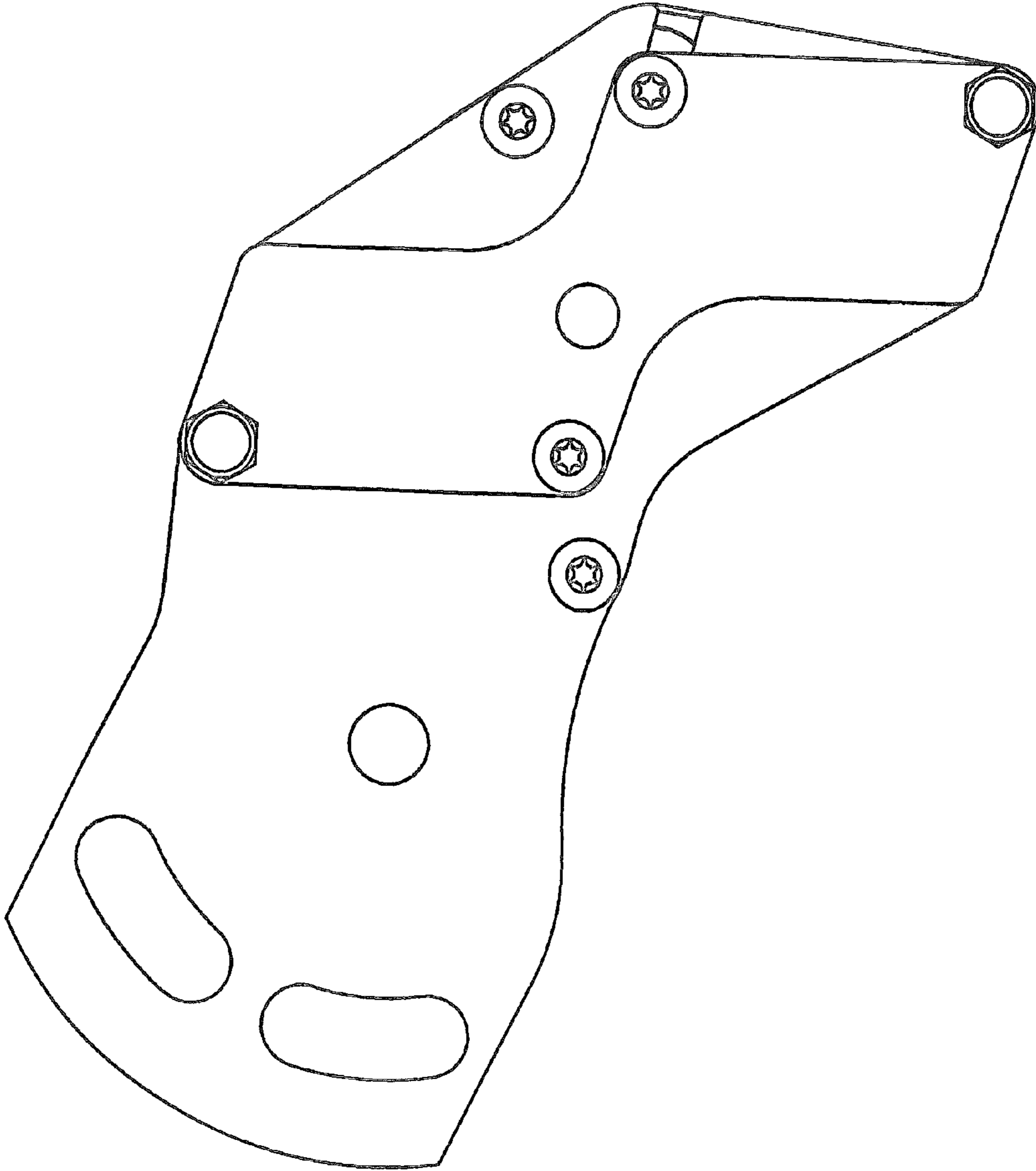


Fig. 1



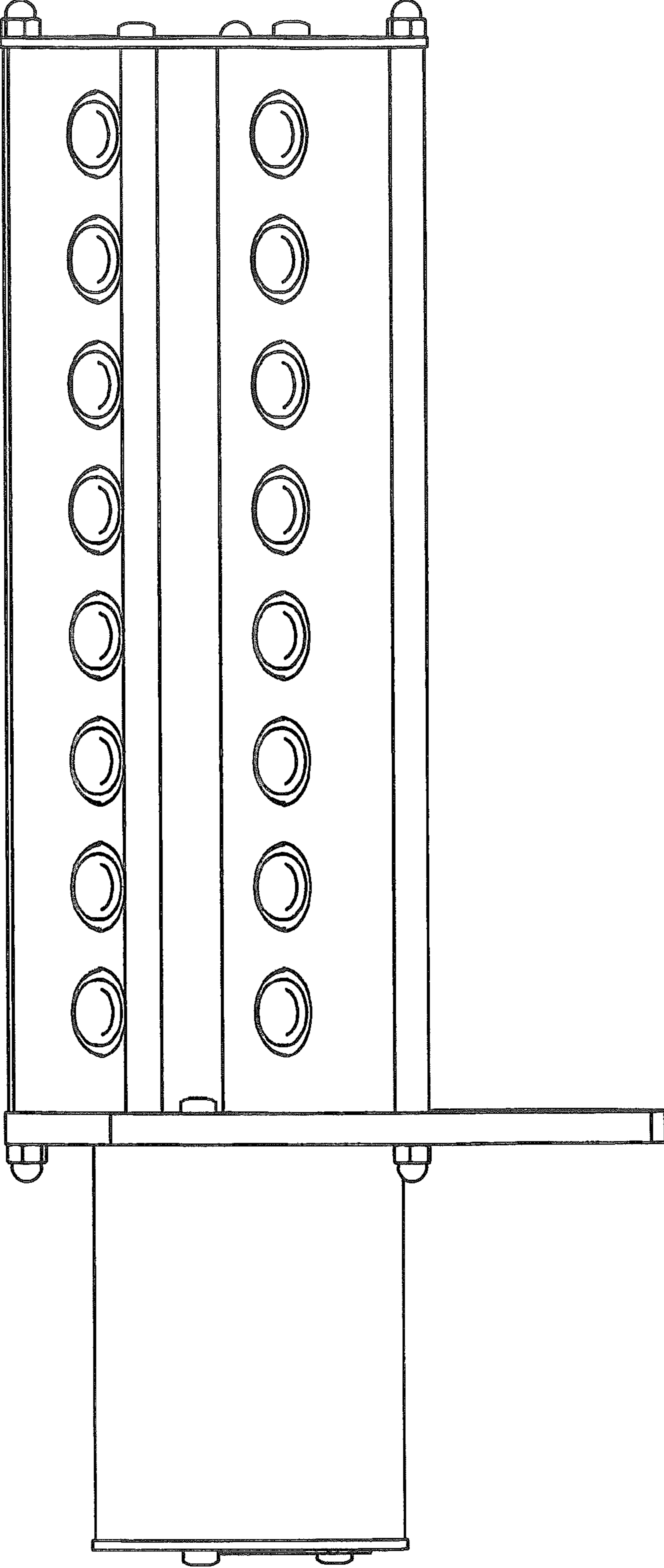


Fig.2

Fig. 3

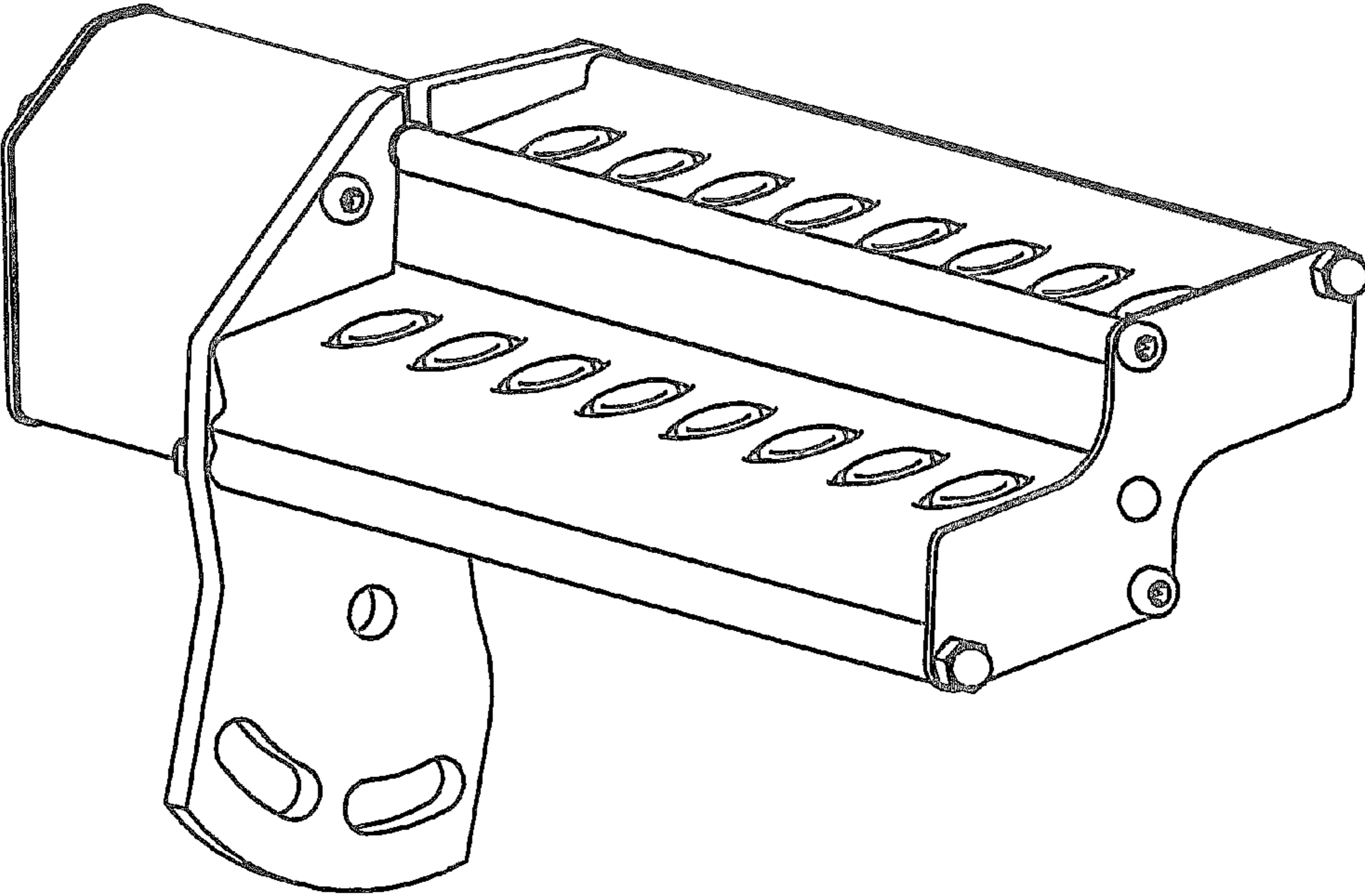
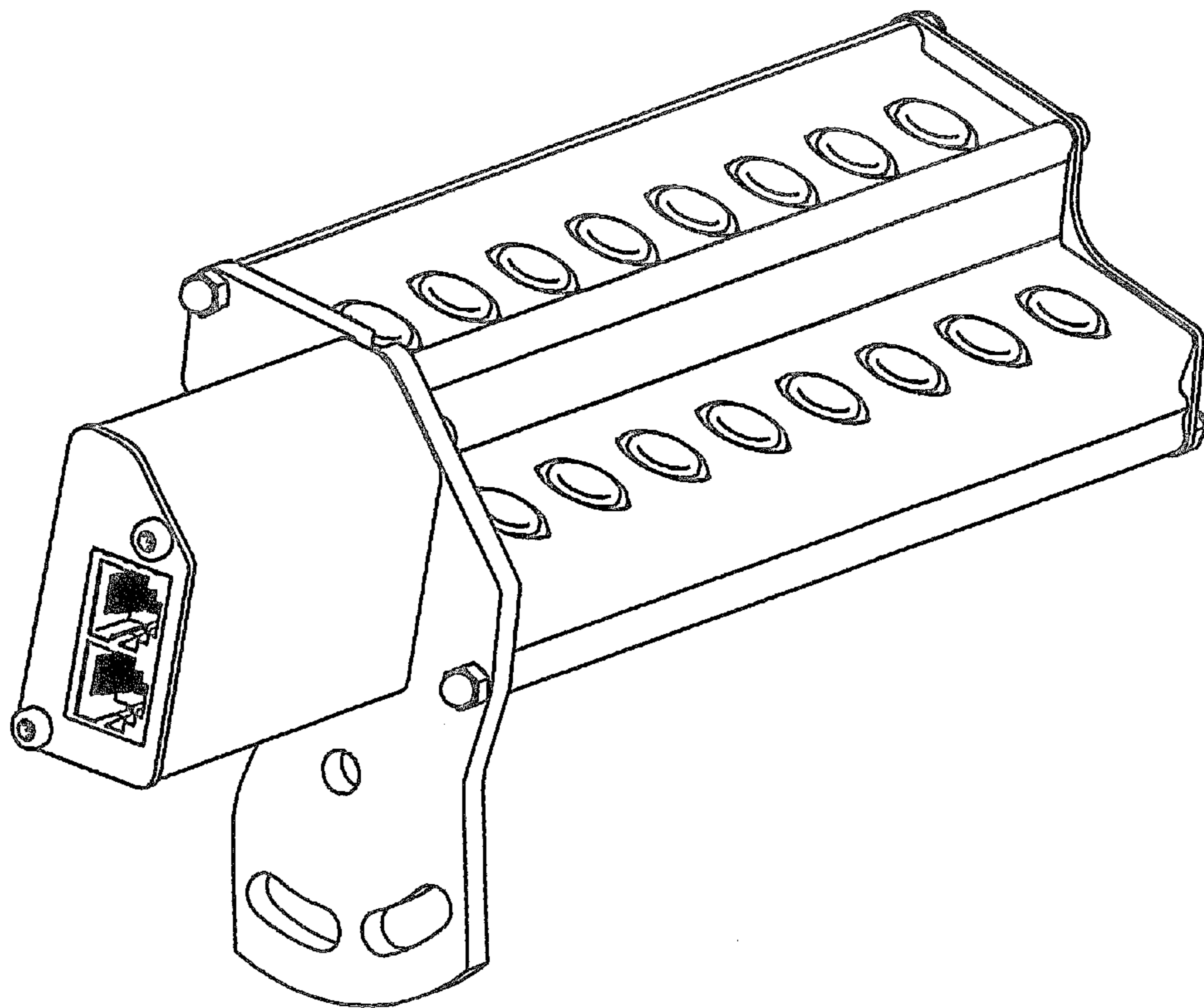


Fig. 4



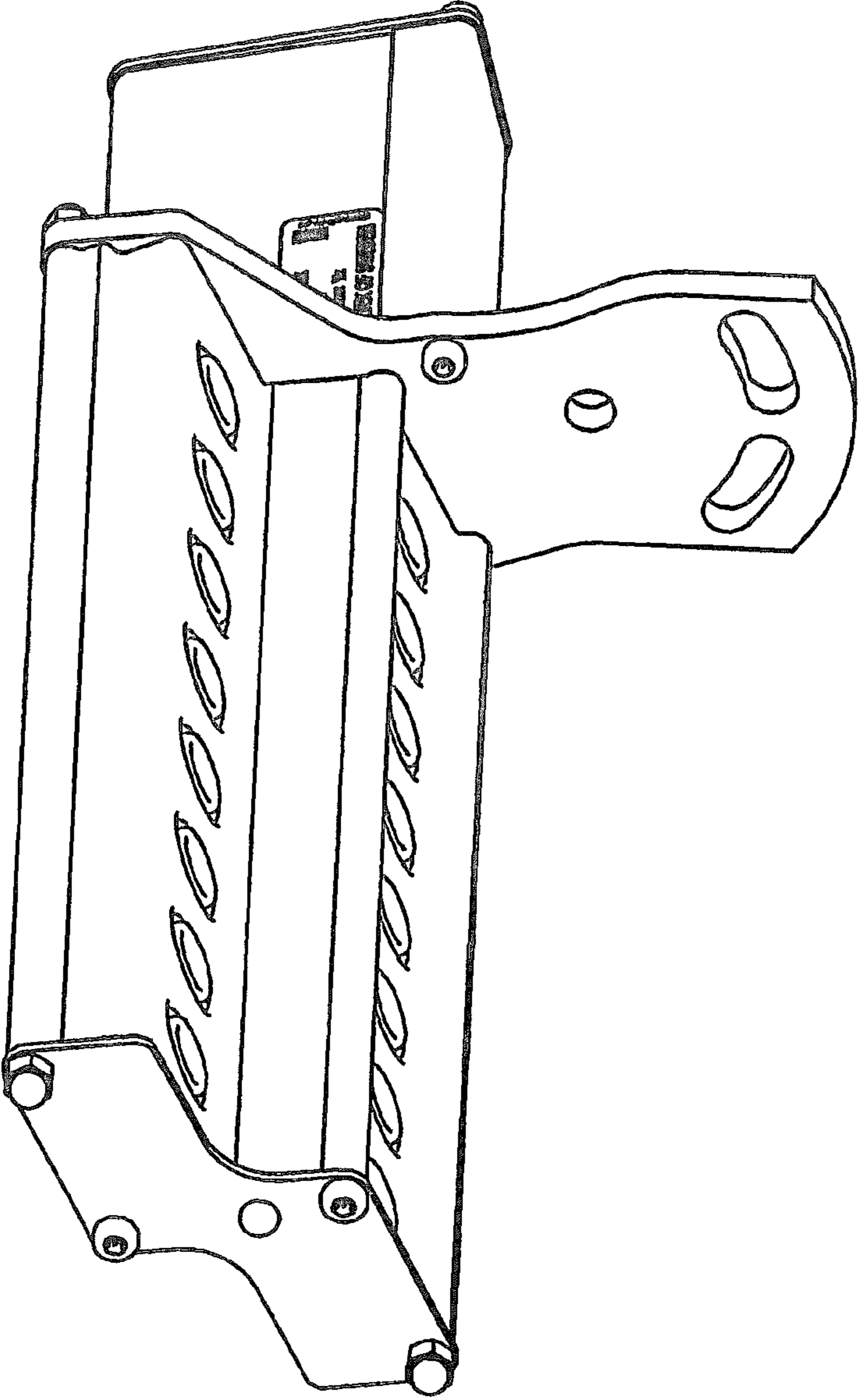


Fig. 5