



US00D733585S

(12) **United States Design Patent**  
**Jones et al.**

(10) **Patent No.:** **US D733,585 S**  
(45) **Date of Patent:** **\*\* Jul. 7, 2015**

(54) **PARKING METER MECHANISM**

FOREIGN PATENT DOCUMENTS

(71) Applicant: **Duncan Solutions, Inc.**, Milwaukee, WI (US)

WO WO 2012/154913 11/2012

(72) Inventors: **Gavin Jones**, Pymble (AU); **Balu Subramanya**, Darnestown, MD (US); **Ryan Vincent**, Solana Beach, CA (US); **Steven A. Jones**, San Marcos, CA (US); **Amith S. Belawadi**, Chino Hills, CA (US)

OTHER PUBLICATIONS

PCT/US2012/037205, May 10, 2012, Jones et al.  
(Continued)

(73) Assignee: **Duncan Solutions, Inc.**, Milwaukee, WI (US)

*Primary Examiner* — Martie K Holtje

(74) *Attorney, Agent, or Firm* — Reinhart Boerner Van Deuren s.c.

(\*\*) Term: **14 Years**

(57) **CLAIM**

We claim the ornamental design for a parking meter mechanism, as shown and described.

(21) Appl. No.: **29/503,319**

**DESCRIPTION**

(22) Filed: **Sep. 25, 2014**

**Related U.S. Application Data**

(62) Division of application No. 29/427,620, filed on Jul. 20, 2012, now Pat. No. Des. 716,671.

(51) **LOC (10) Cl.** ..... **10-03**

(52) **U.S. Cl.**  
USPC ..... **D10/42**

(58) **Field of Classification Search**

USPC ..... D10/40, 41, 42, 43, 44, 45; D20/2, 6, 8, D20/9; D99/28, 29, 34, 43; 194/211, 217, 194/297, 302, 350, 351, 900, 902, 200; 368/89, 90, 92; 398/202; 235/33, 382, 235/384; 340/5.53, 932.2; 705/418  
CPC ..... G07F 17/24; G07F 17/248; G01C 1/30; G01B 15/02

See application file for complete search history.

FIG. 1 is a first front perspective view from above of parking meter mechanism showing the claimed design;  
FIG. 2 is a front view of the claimed design of FIG. 1;  
FIG. 3 is a rear view of the claimed design of FIG. 1;  
FIG. 4 is a right side view of the claimed design of FIG. 1;  
FIG. 5 is a left side view of the claimed design of FIG. 1;  
FIG. 6 is a top view of the claimed design of FIG. 1;  
FIG. 7 is a bottom view of the claimed design of FIG. 1;  
FIG. 8 is a second front perspective view from above of the claimed design of FIG. 1;  
FIG. 9 is a first front perspective view from below of the claimed design of FIG. 1;  
FIG. 10 is a second front perspective view from below of the claimed design of FIG. 1;  
FIG. 11 is a first rear perspective view from above of the claimed design of FIG. 1;  
FIG. 12 is a second rear perspective view from above of the claimed design of FIG. 1;  
FIG. 13 is a first rear perspective view from below of the claimed design of FIG. 1; and,  
FIG. 14 is a second rear perspective view from below of the claimed design of FIG. 1.

The structural features depicted by broken lines in the drawings have been shown for the purpose of illustrating portions of the claimed parking meter mechanism that form no part of the claimed design.

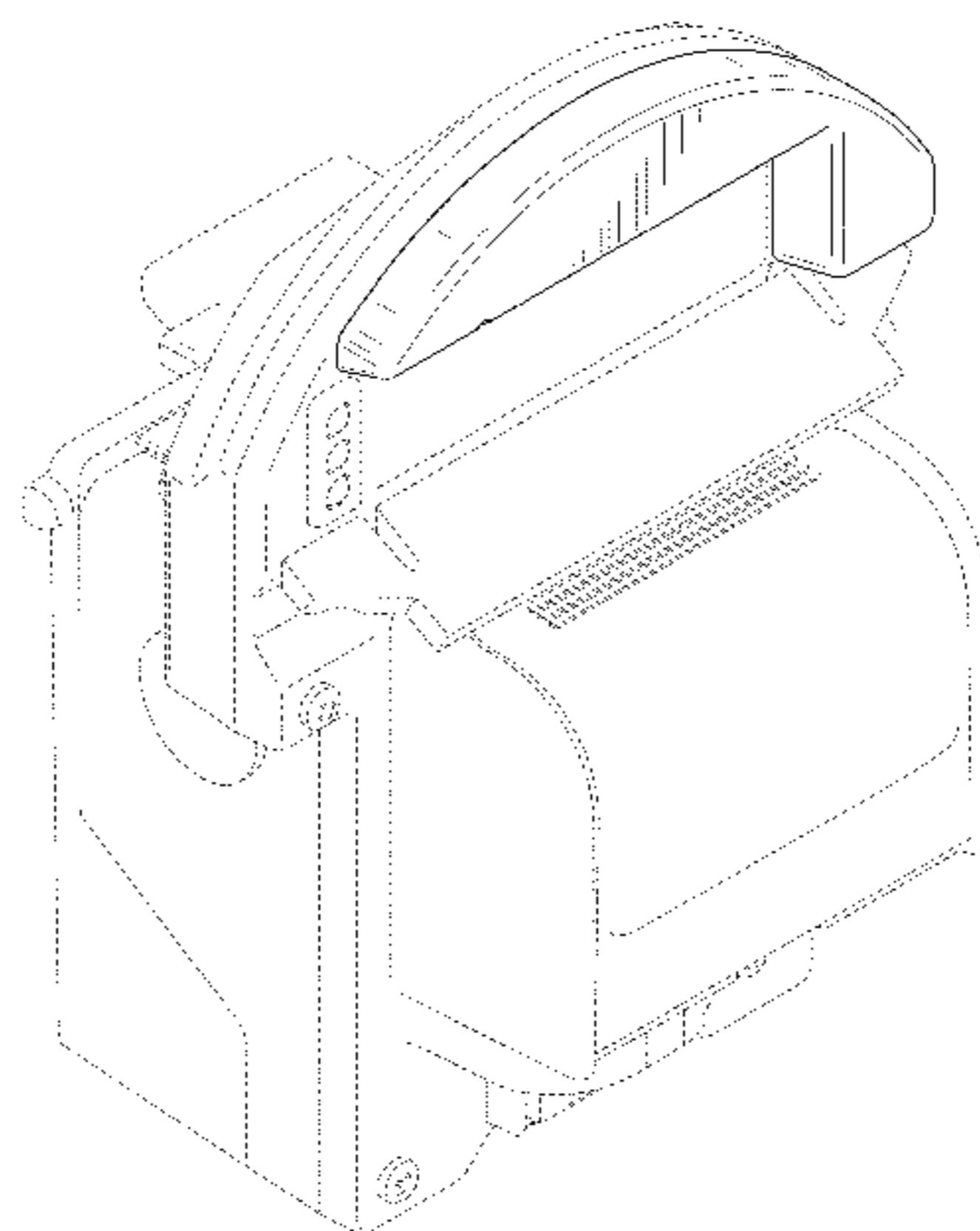
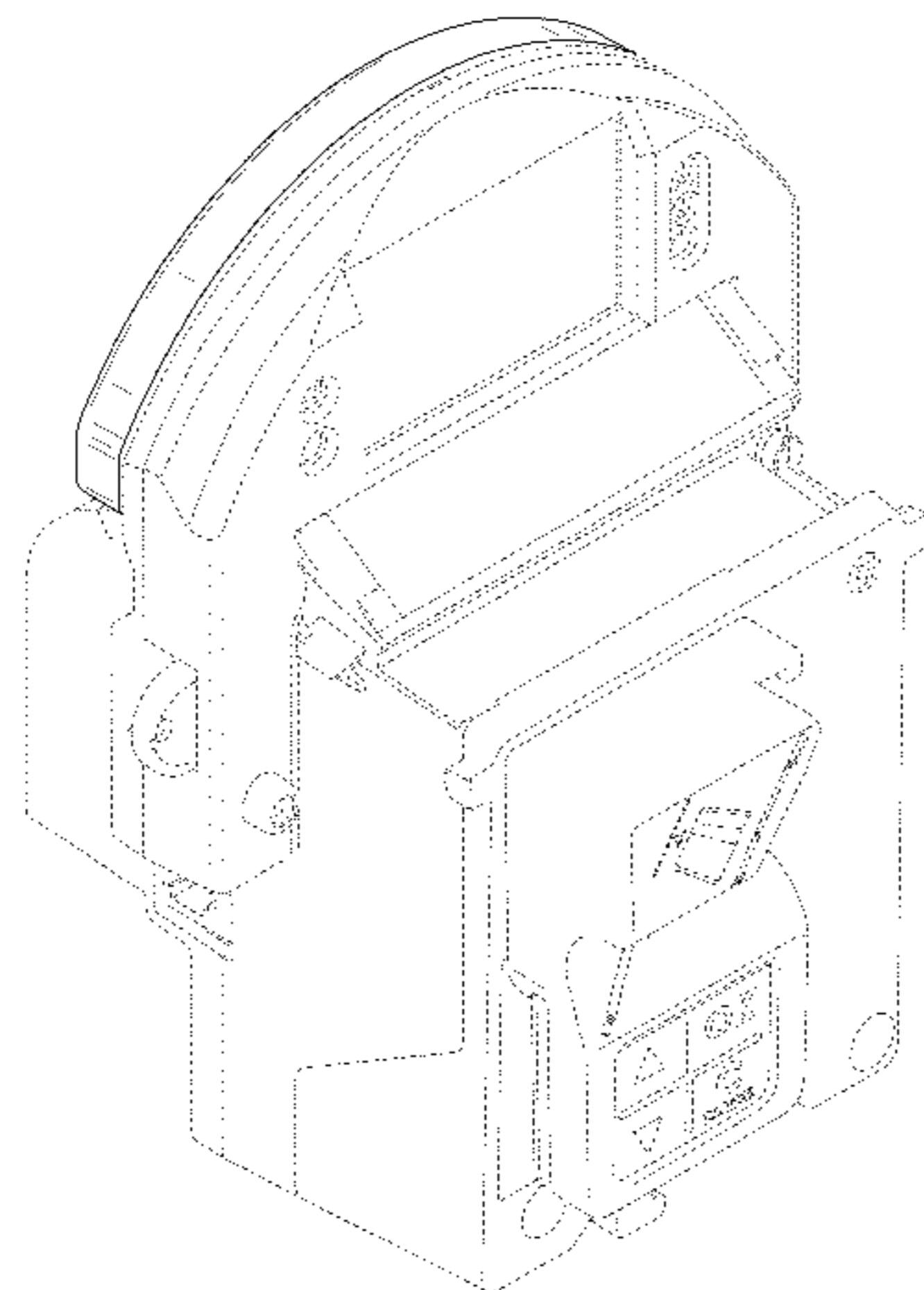
(56) **References Cited**

U.S. PATENT DOCUMENTS

D100,875 S 8/1936 Michaels  
D101,237 S 9/1936 Miller

(Continued)

**1 Claim, 14 Drawing Sheets**



(56)

References Cited

U.S. PATENT DOCUMENTS

D112,677 S 12/1938 Broussard et al.  
 2,483,805 A 10/1949 Broussard et al.  
 2,495,784 A 1/1950 Starts  
 2,550,433 A 4/1951 Tichenor  
 2,594,388 A 4/1952 Broussard  
 D166,753 S 5/1952 Jones  
 2,596,122 A 5/1952 Broussard  
 2,596,123 A 5/1952 Broussard  
 2,596,124 A 5/1952 Broussard  
 2,613,792 A 10/1952 Broussard et al.  
 2,613,871 A 10/1952 Broussard et al.  
 2,618,371 A 11/1952 Broussard  
 2,633,960 A 4/1953 Broussard  
 D181,359 S 11/1957 Jones  
 2,818,371 A 12/1957 Wessinger  
 2,985,978 A 5/1961 Breen et al.  
 D200,216 S 2/1965 Broussard  
 3,199,321 A 8/1965 Sollenberger  
 3,204,438 A 9/1965 Sollenberger  
 3,262,540 A 7/1966 Sollenberger et al.  
 3,272,299 A 9/1966 Sollenberger  
 3,438,031 A 4/1969 Fathauer  
 3,486,324 A 12/1969 Andersson  
 3,519,113 A 7/1970 Arzig et al.  
 3,565,283 A 2/1971 Sciacero et al.  
 3,999,372 A 12/1976 Welch et al.  
 4,248,336 A 2/1981 Fiedler  
 4,872,149 A 10/1989 Speas  
 4,880,406 A 11/1989 Van Horn et al.  
 5,060,777 A 10/1991 Van Horn et al.  
 5,088,073 A 2/1992 Speas  
 5,109,972 A 5/1992 Van Horn et al.  
 5,119,916 A 6/1992 Carmen et al.  
 5,155,614 A 10/1992 Carmen et al.  
 5,184,707 A 2/1993 Van Horn et al.  
 5,244,070 A 9/1993 Carmen et al.  
 5,273,151 A 12/1993 Carmen et al.  
 5,382,780 A 1/1995 Carmen  
 5,407,049 A 4/1995 Jacobs  
 5,526,662 A 6/1996 Diekhoff et al.  
 5,617,942 A 4/1997 Ward, II et al.  
 5,642,119 A 6/1997 Jacobs  
 5,710,743 A 1/1998 Dee et al.  
 5,732,812 A 3/1998 Grainger et al.  
 5,805,083 A 9/1998 Sutton et al.  
 5,806,651 A 9/1998 Carmen et al.  
 5,841,369 A 11/1998 Sutton et al.  
 5,852,411 A 12/1998 Jacobs et al.  
 5,903,520 A 5/1999 Dee et al.  
 5,966,345 A 10/1999 Dee et al.  
 6,098,361 A 8/2000 Roten et al.  
 6,109,418 A 8/2000 Yost  
 6,111,522 A 8/2000 Hiltz et al.  
 6,116,403 A 9/2000 Kiehl  
 D431,788 S 10/2000 Tuxen et al.  
 RE37,193 E 5/2001 Ward, II et al.  
 6,229,455 B1 5/2001 Yost et al.

6,230,868 B1 5/2001 Tuxen et al.  
 6,275,170 B1 8/2001 Jacobs et al.  
 6,309,098 B1 10/2001 Wong  
 6,312,152 B2 11/2001 Dee et al.  
 6,354,425 B1 3/2002 Tuxen et al.  
 D461,728 S 8/2002 Tuxen et al.  
 6,747,575 B2 6/2004 Chauvin et al.  
 6,874,340 B1 4/2005 Berman  
 6,889,899 B2 5/2005 Silberberg  
 7,237,176 B2 6/2007 Briggs et al.  
 D575,168 S 8/2008 King et al.  
 D587,141 S 2/2009 King et al.  
 7,617,120 B2 11/2009 Derasmo et al.  
 7,806,248 B2 10/2010 Hunter et al.  
 7,825,826 B2 11/2010 Welch  
 7,854,310 B2 12/2010 King et al.  
 D652,329 S 1/2012 Mackay et al.  
 D654,816 S 2/2012 Mackay et al.  
 D659,557 S 5/2012 Jones et al.  
 8,184,019 B2 5/2012 Chauvin et al.  
 8,193,540 B2 6/2012 Huang et al.  
 D684,870 S 6/2013 Jones et al.  
 8,631,921 B2 1/2014 Jones et al.  
 8,662,279 B2 3/2014 Jones et al.  
 8,684,158 B2 4/2014 Jones et al.  
 8,727,207 B1 \* 5/2014 Church et al. .... 235/33  
 D716,156 S \* 10/2014 Jones et al. .... D10/42  
 D716,671 S \* 11/2014 Jones et al. .... D10/42  
 2001/0012241 A1 8/2001 Dee et al.  
 2003/0017904 A1 1/2003 Lee  
 2004/0264302 A1 12/2004 Ward  
 2008/0071611 A1 3/2008 Lovett  
 2008/0277468 A1 11/2008 Mitschele  
 2009/0026842 A1 1/2009 Hunter et al.  
 2009/0095593 A1 4/2009 King et al.  
 2009/0159674 A1 6/2009 King et al.  
 2009/0183966 A1 7/2009 King et al.  
 2009/0192950 A1 7/2009 King et al.  
 2009/0267732 A1 \* 10/2009 Chauvin et al. .... 340/5.53  
 2011/0057815 A1 3/2011 King et al.  
 2011/0060653 A1 3/2011 King et al.  
 2012/0285790 A1 11/2012 Jones et al.  
 2012/0286036 A1 11/2012 Jones et al.  
 2012/0286968 A1 11/2012 Jones et al.  
 2014/0108107 A1 4/2014 Jones et al.

OTHER PUBLICATIONS

U.S. Appl. No. 29/427,620, filed Jul. 20, 2012, Jones et al.  
 U.S. Appl. No. 29/455,221, filed May 17, 2013, Jones et al.  
 Duncan Solutions, Eagle CK Single-Space Meter Mechanism Brochure, believed to be commercially available before May 10, 2010, 2 pages.  
 Duncan Solutions, Eagle 2100 Single-Space Meter Mechanism Brochure, believed to be commercially available before May 10, 2010, 2 pages.  
 Duncan Solutions, VM/VS Pay-by-Space Multi-Space Meter Brochure, available at <http://www.duncansolutions.com/pdfs/VM.pdf>, believed to be commercially available before May 10, 2010, 2 pages.

\* cited by examiner



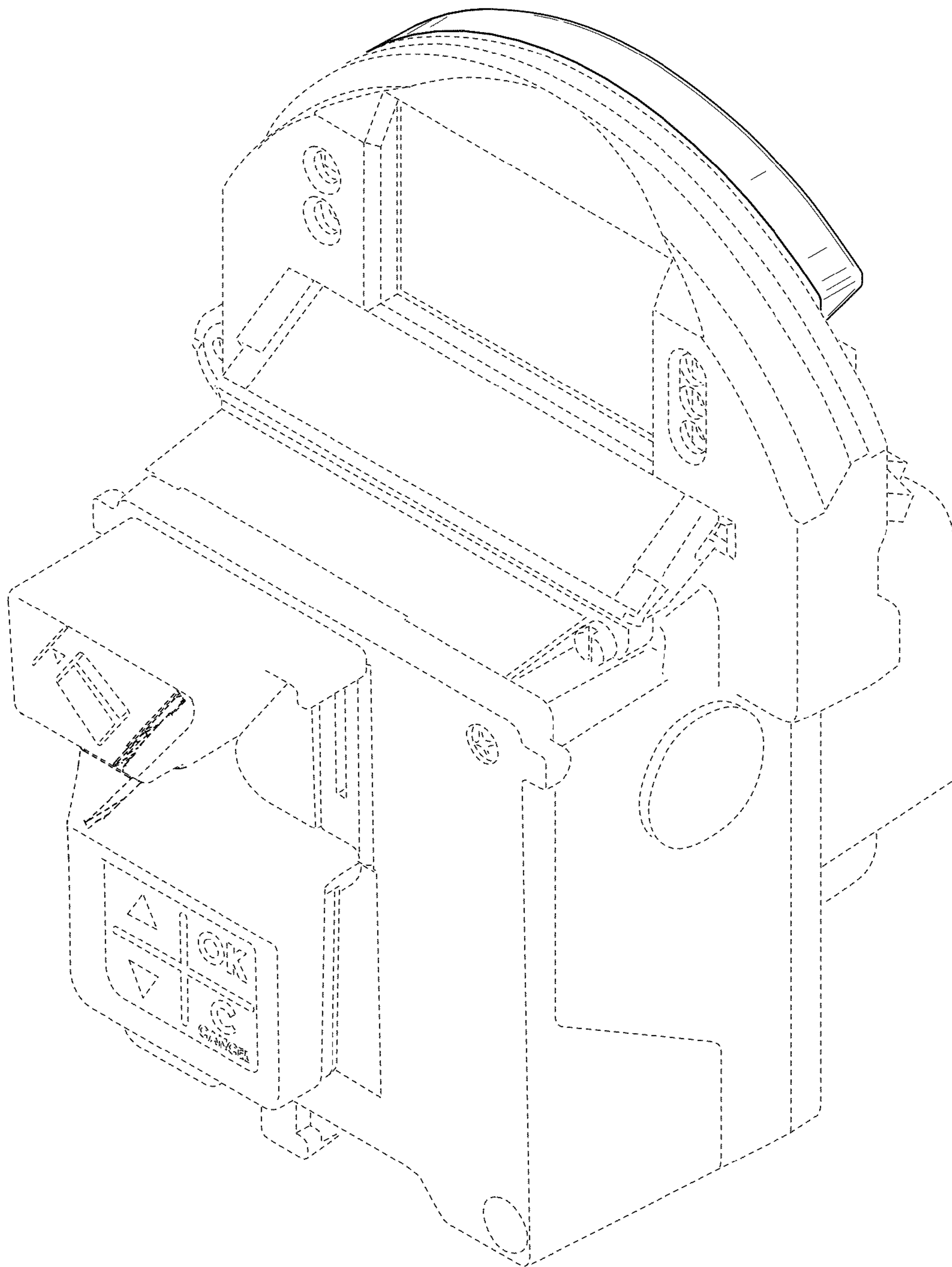


FIG. 1

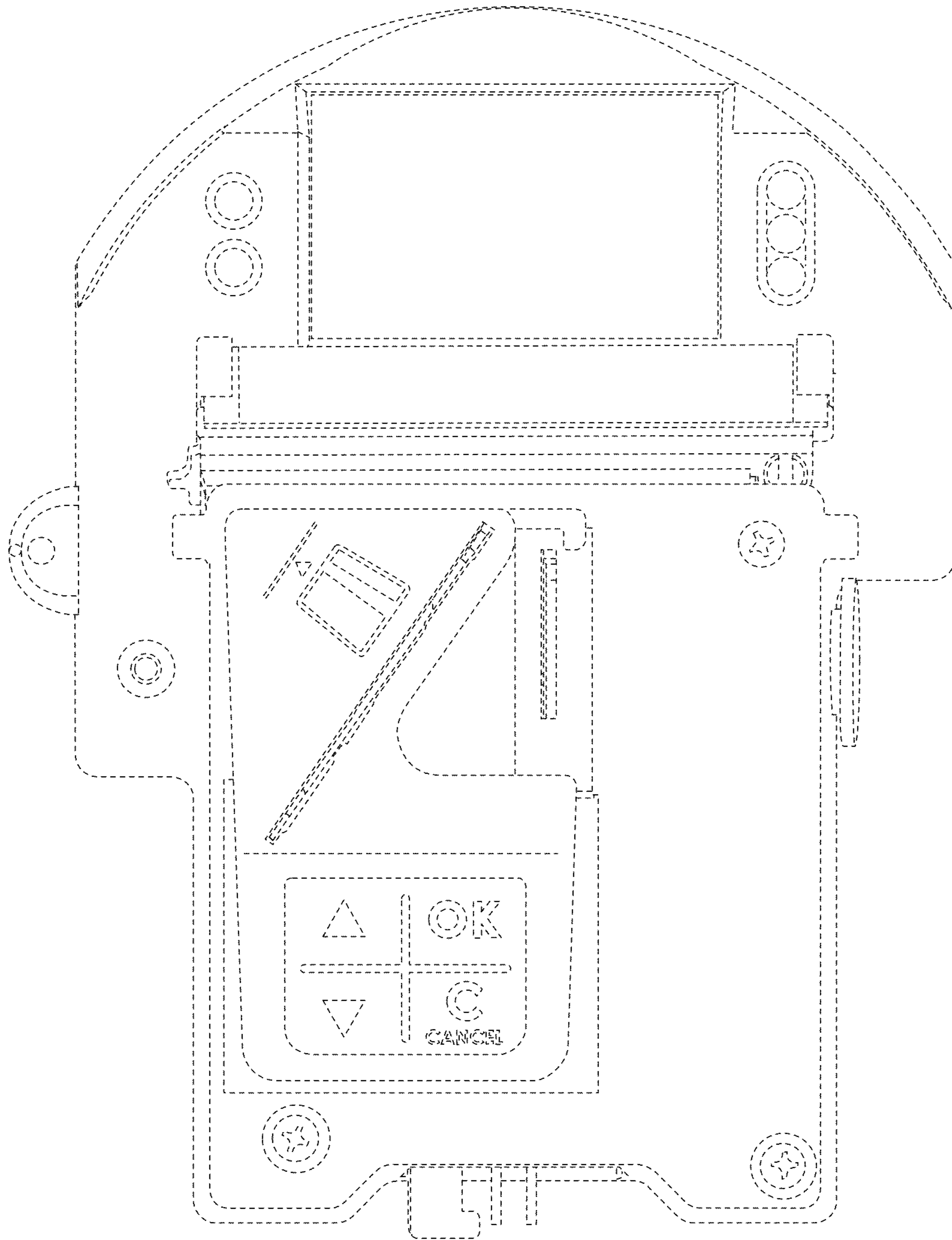


FIG. 2

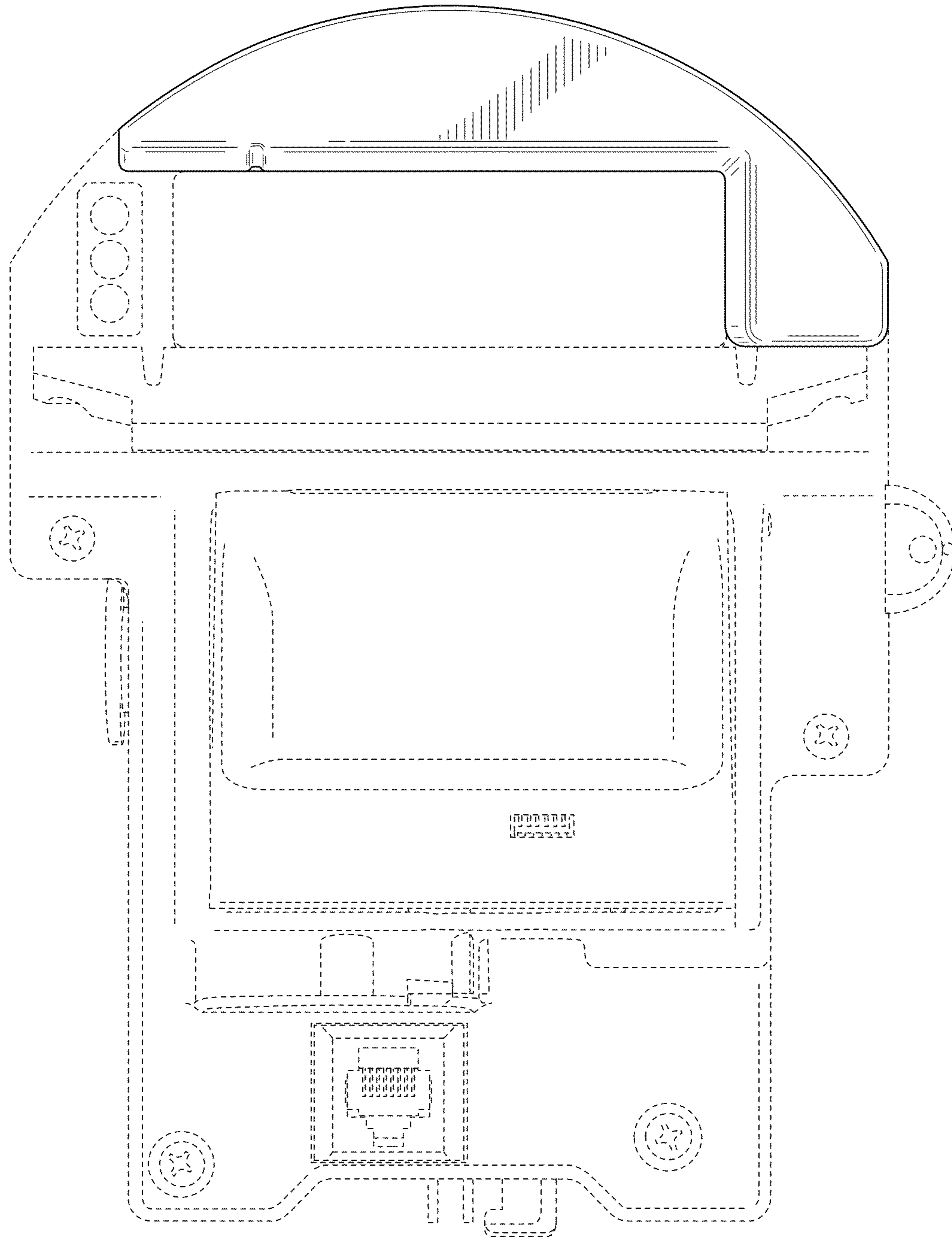


FIG. 3

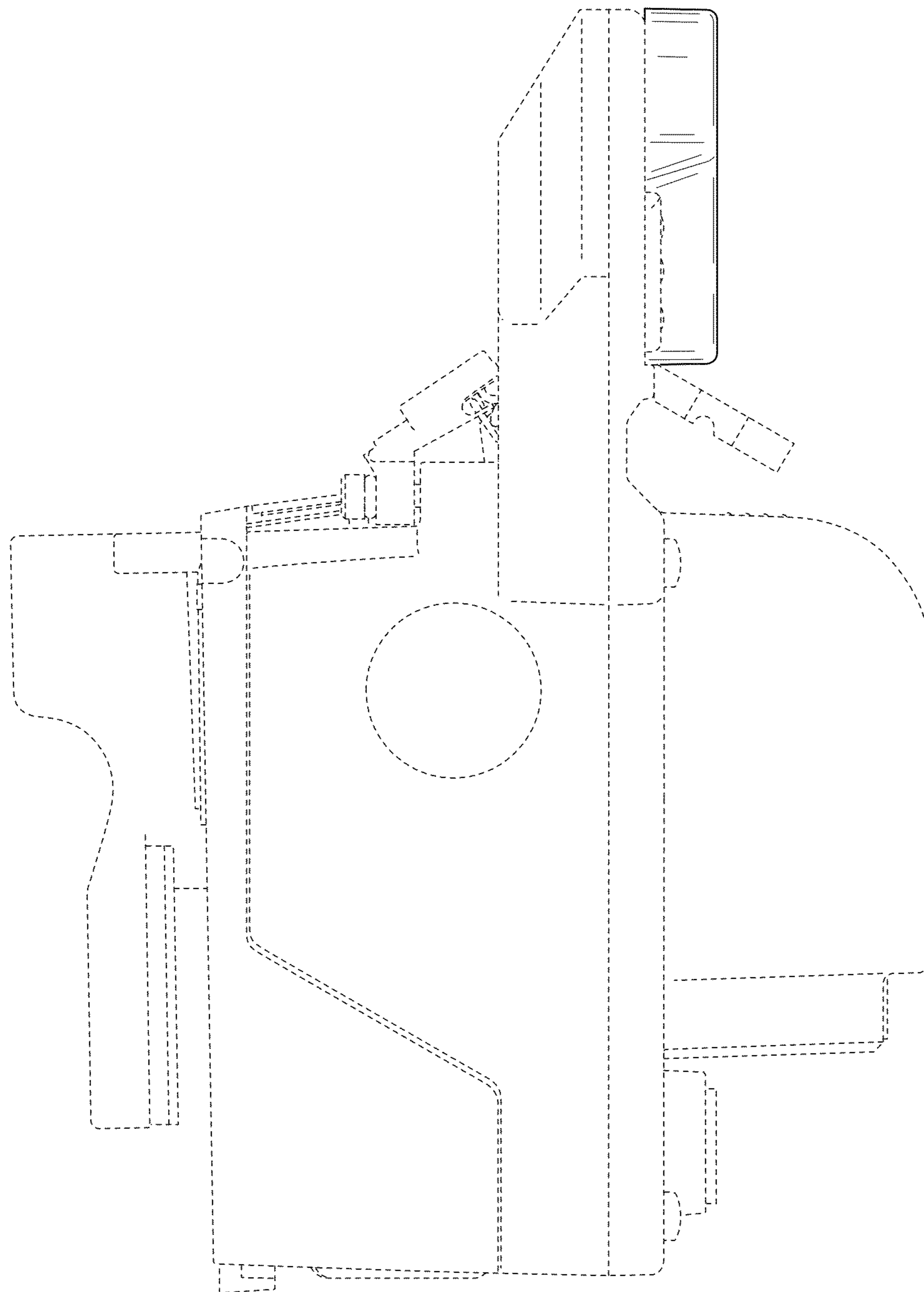


FIG. 4

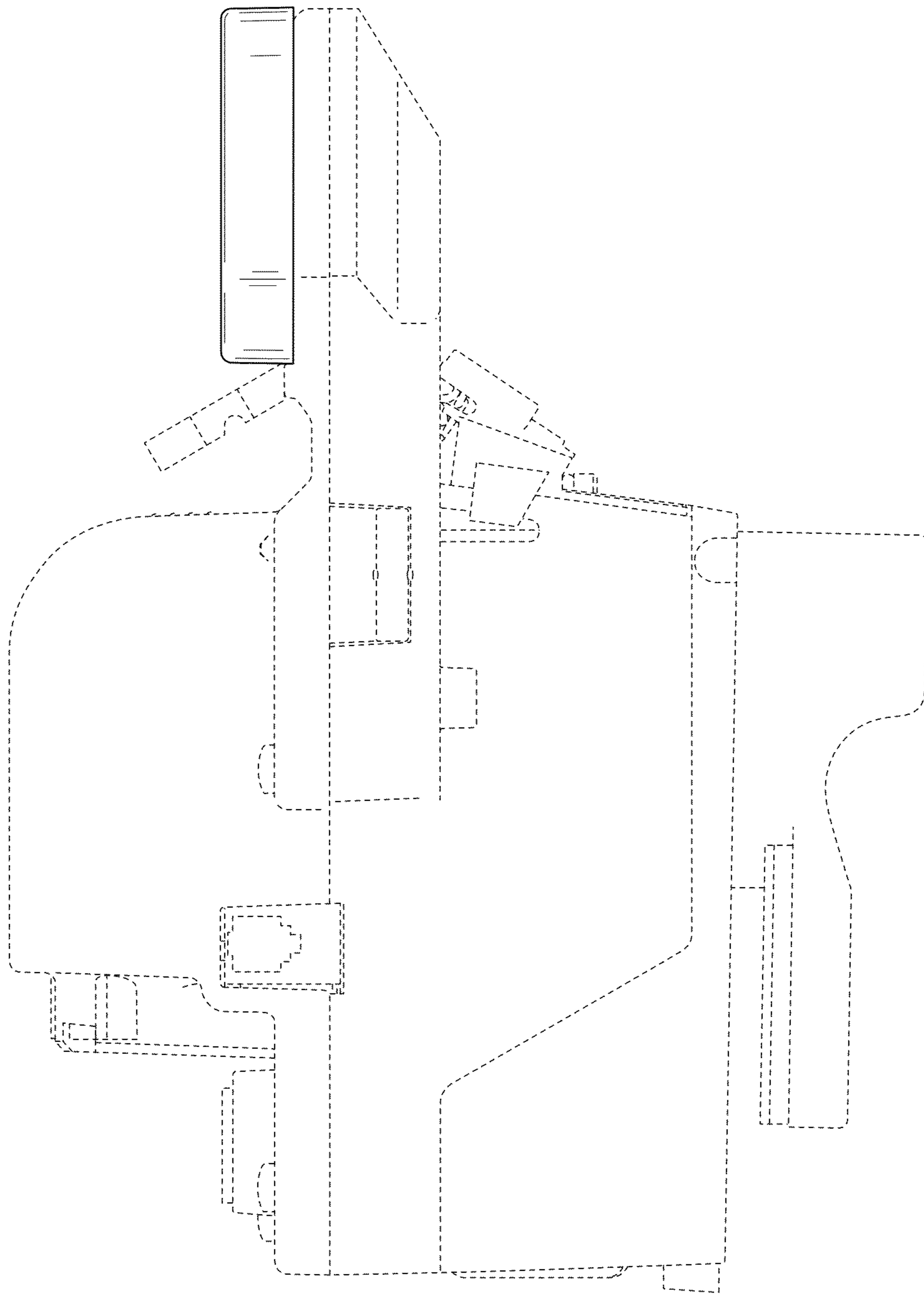


FIG. 5

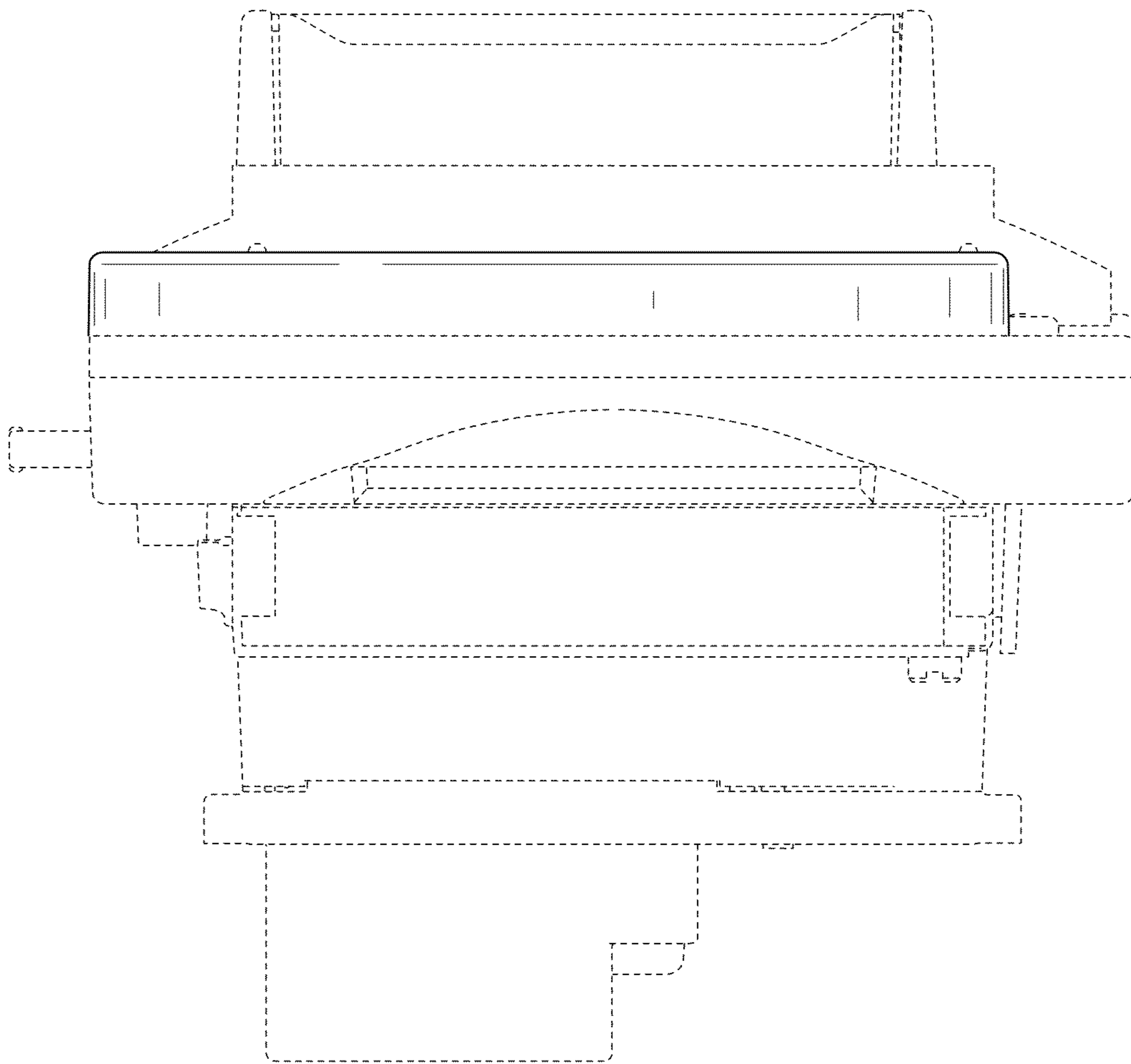


FIG. 6



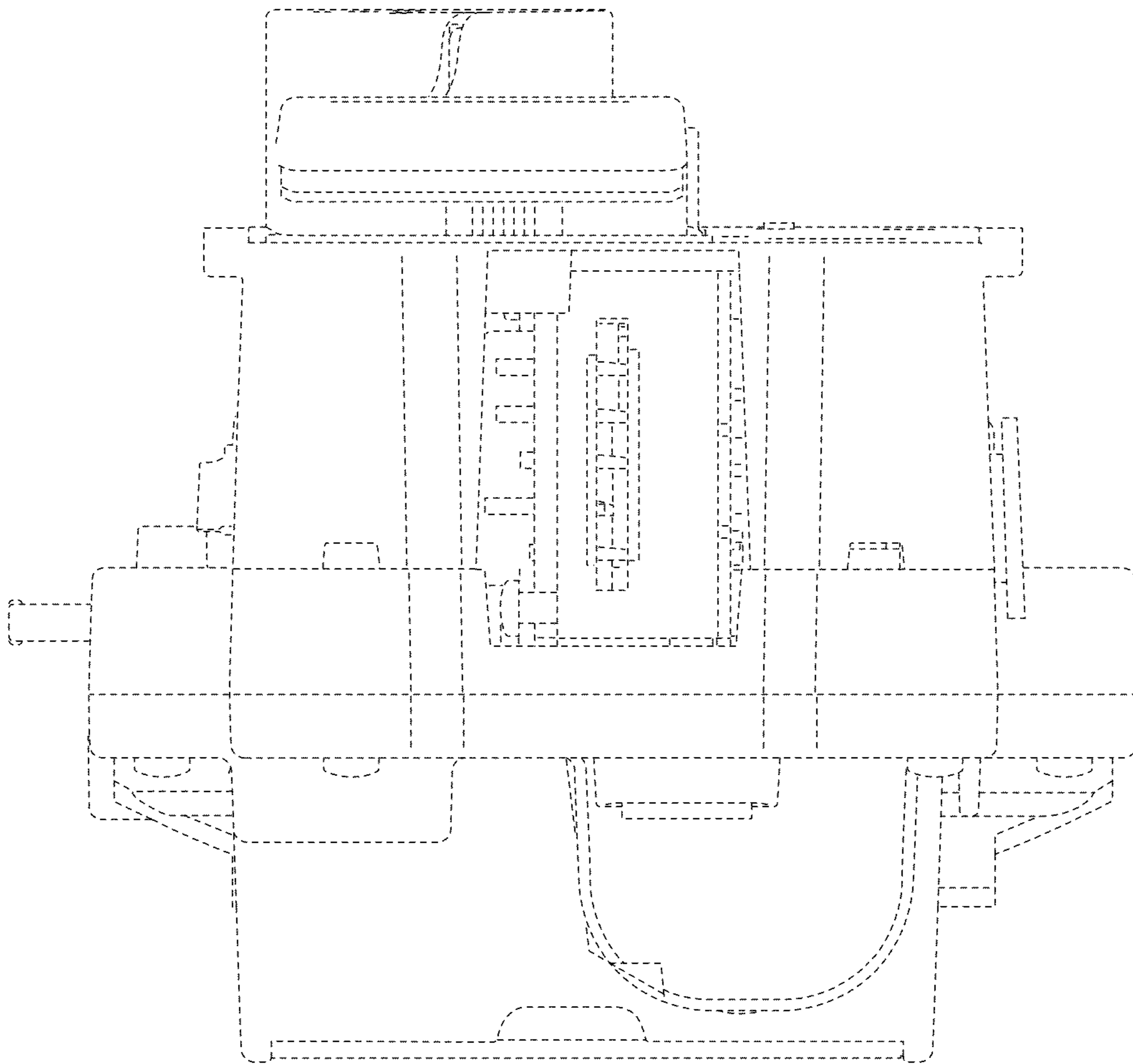


FIG. 7

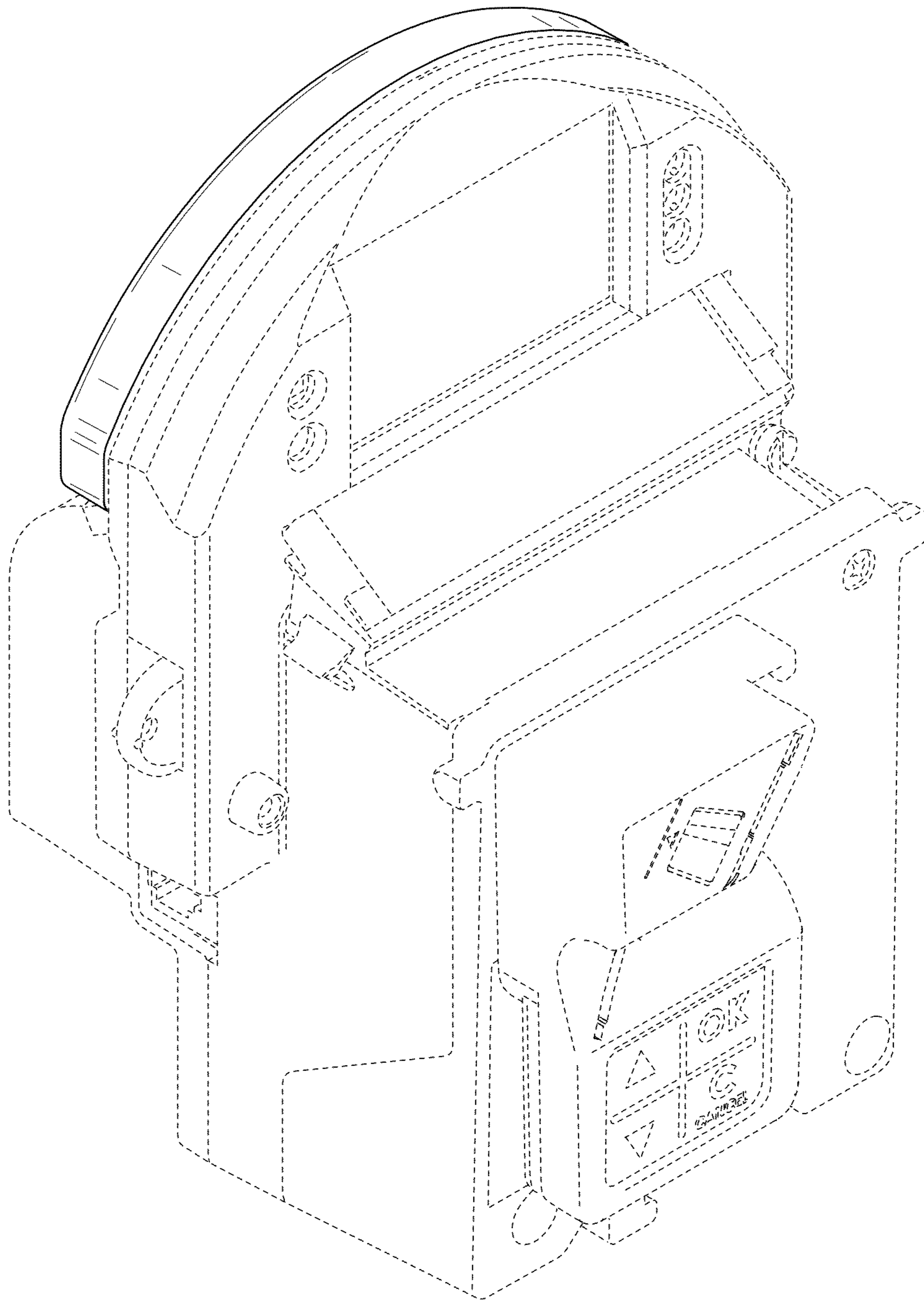


FIG. 8

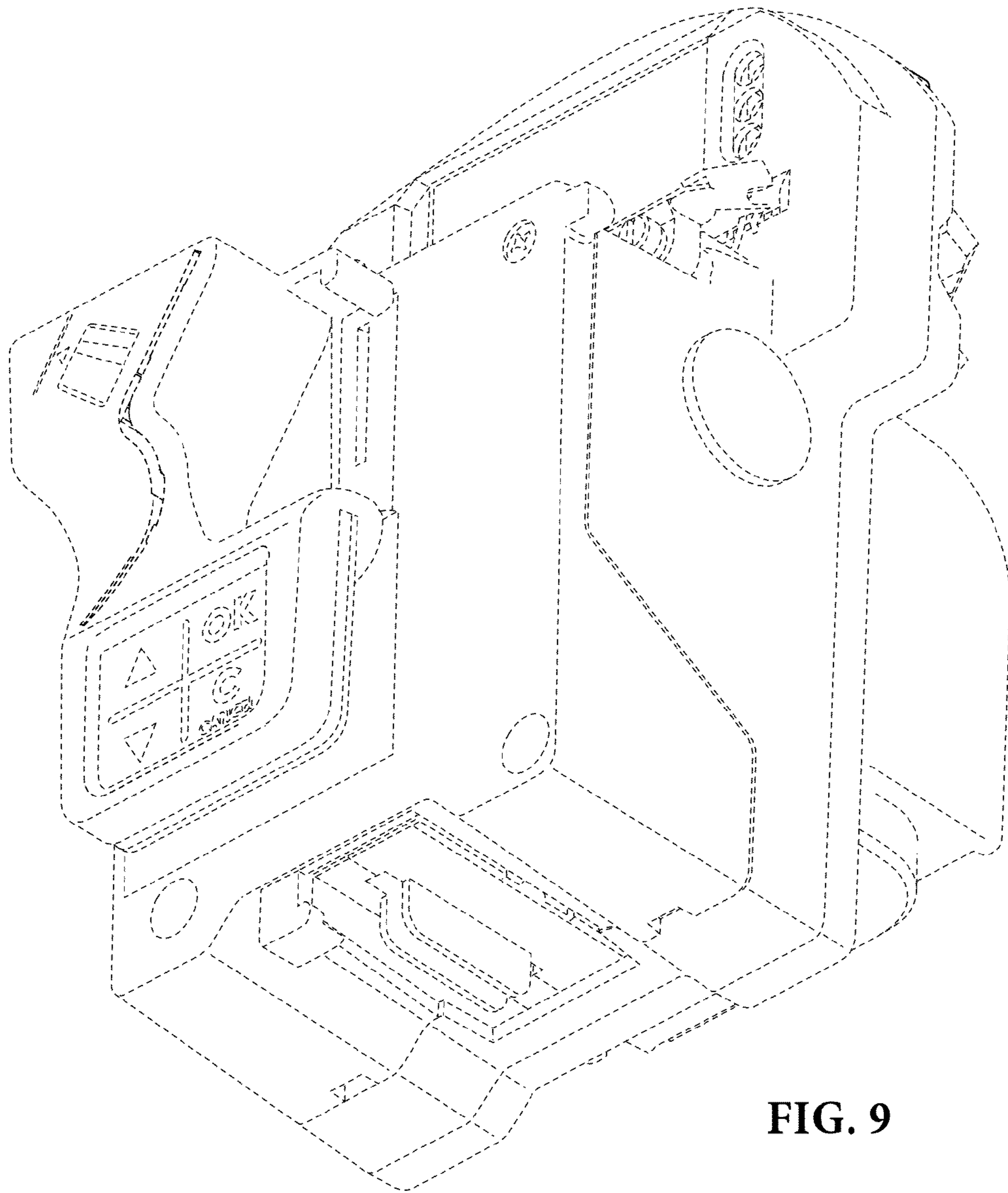


FIG. 9

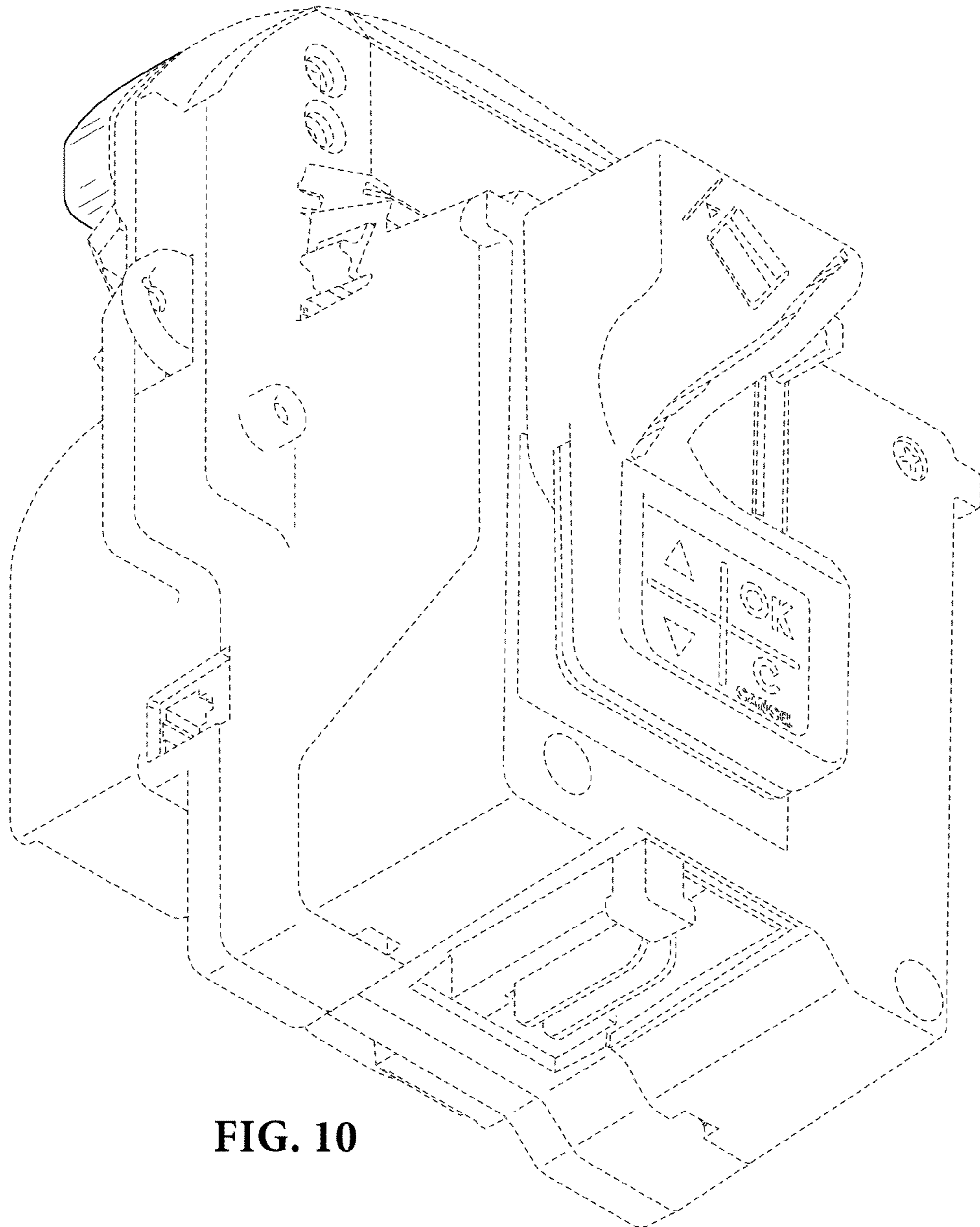


FIG. 10



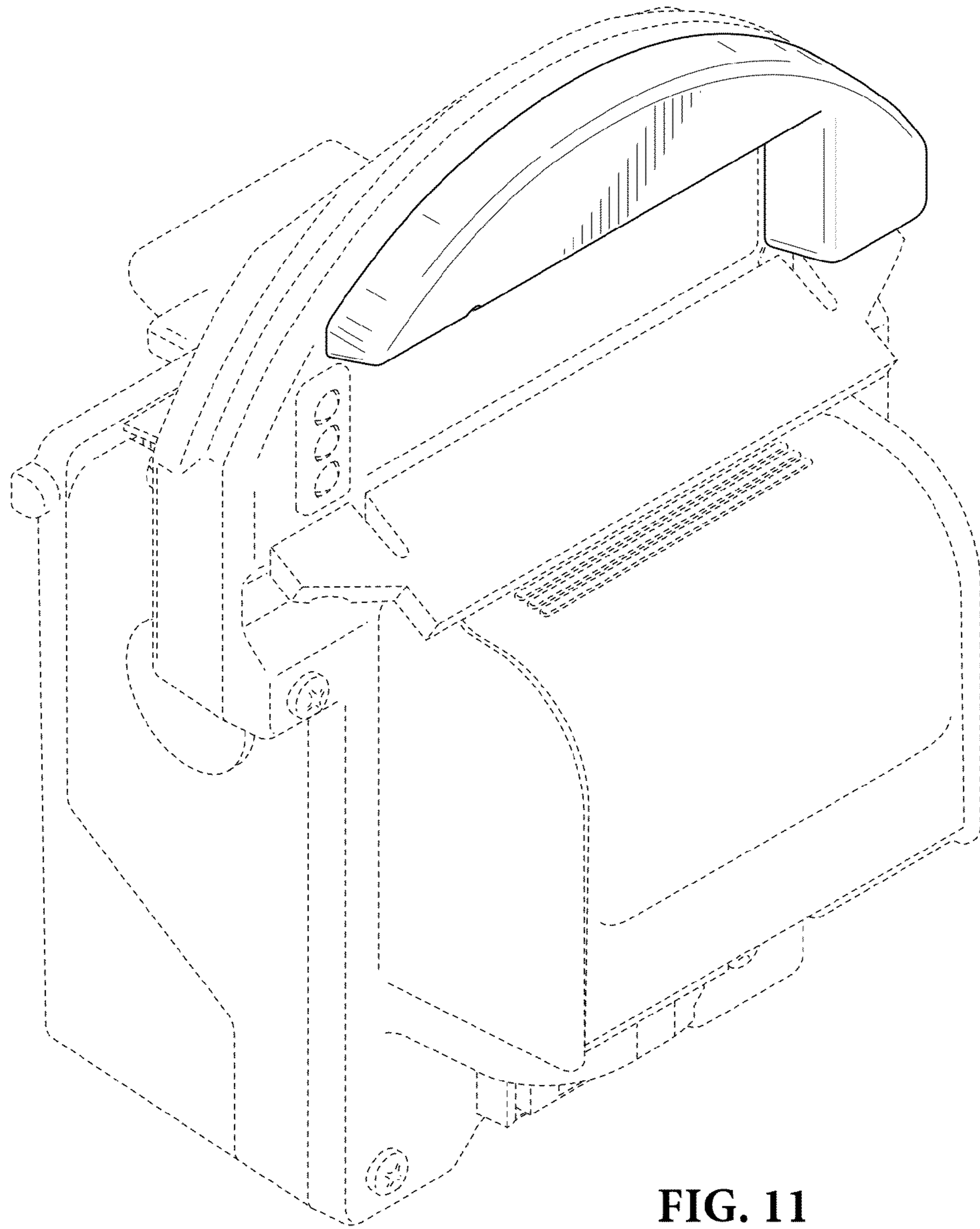


FIG. 11

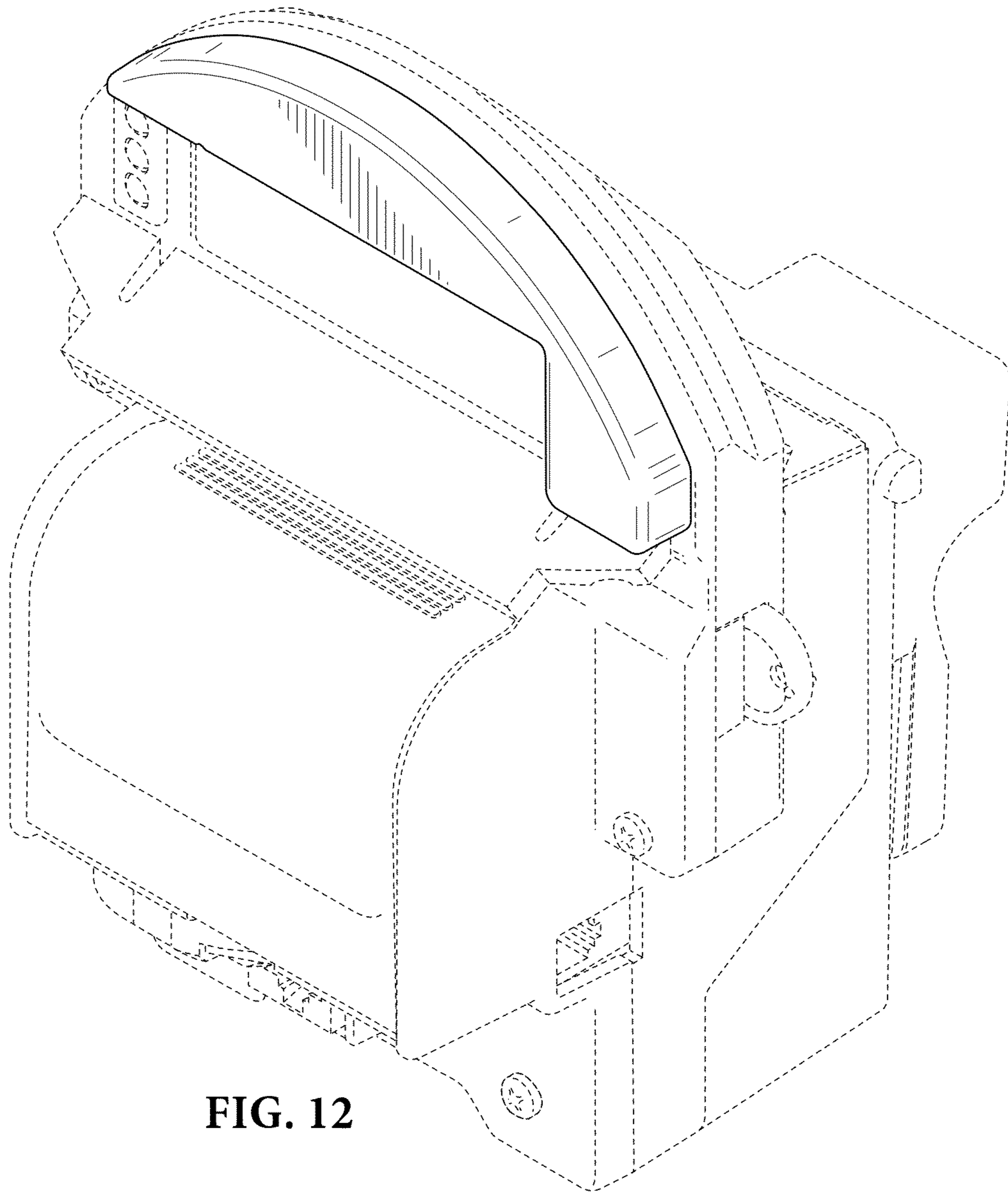


FIG. 12

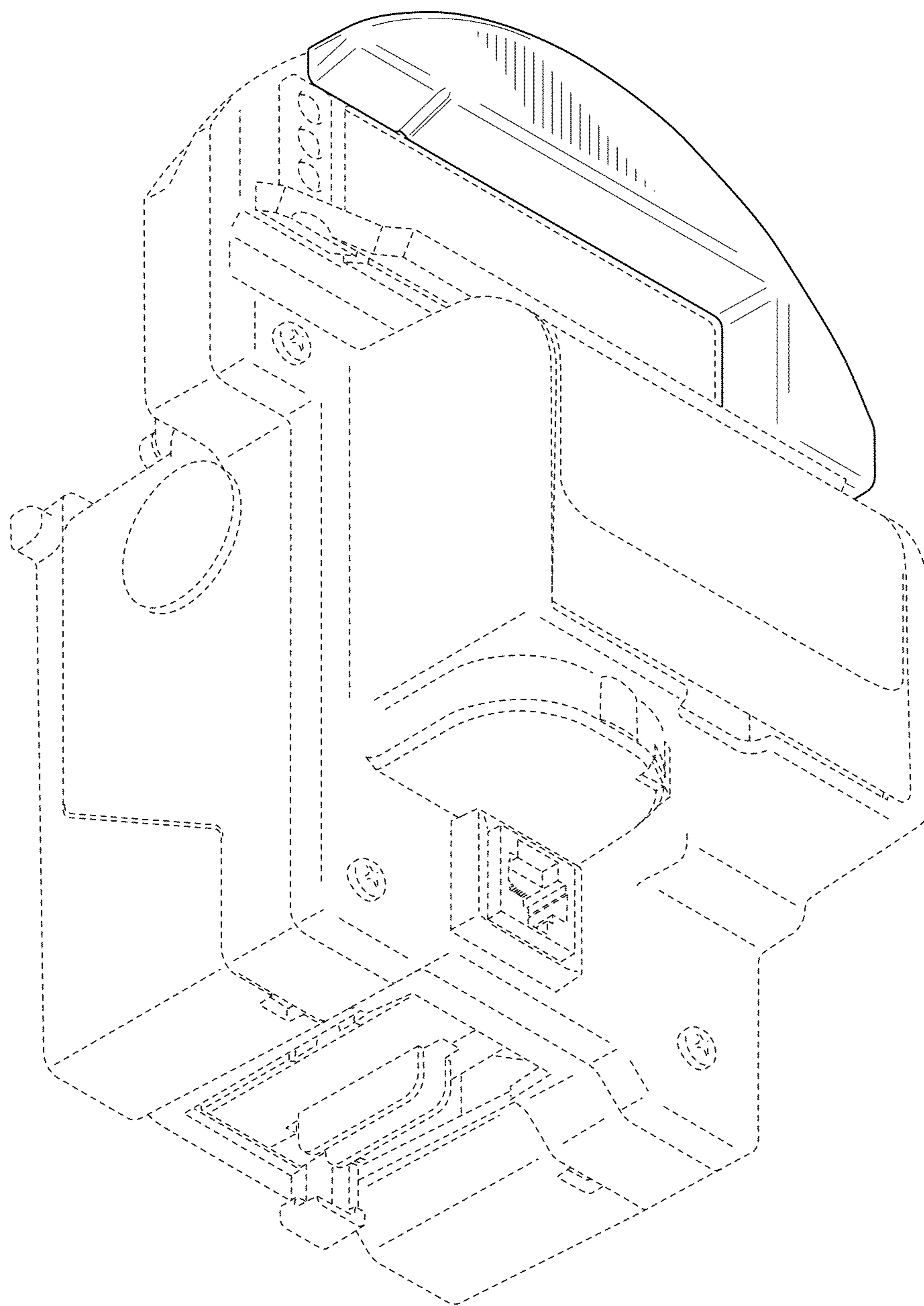


FIG. 13

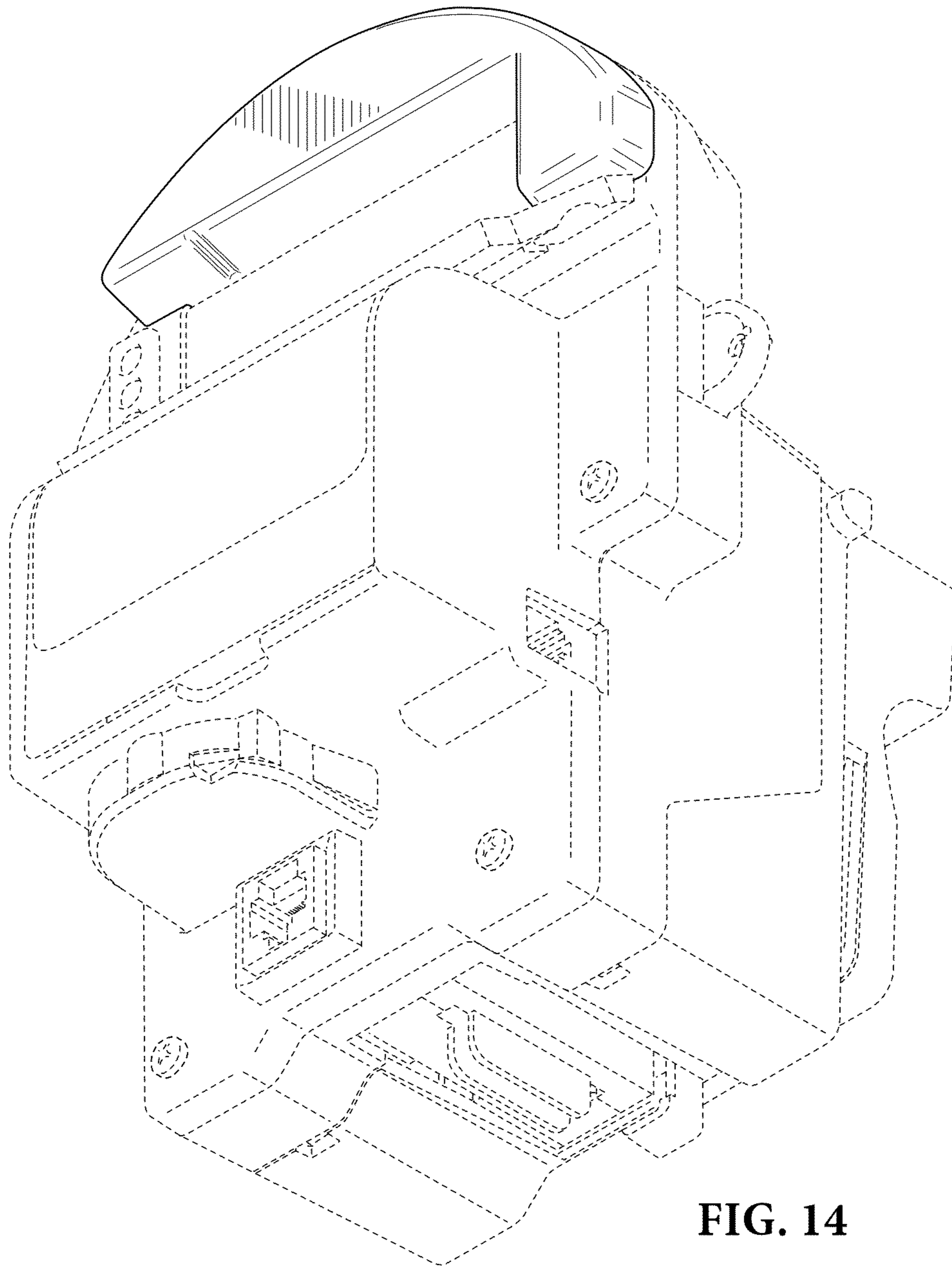


FIG. 14