



US00D733584S

(12) **United States Design Patent**
Kamilindi

(10) **Patent No.:** **US D733,584 S**

(45) **Date of Patent:** **** Jul. 7, 2015**

(54) **WATCH**

(71) Applicant: **HARRY WINSTON SA,**
Plan-les-Ouates (CH)

(72) Inventor: **Steve Kamilindi,** Geneva (CH)

(73) Assignee: **HARRY WINSTON SA,**
Plan-les-Ouates (CH)

(**) Term: **14 Years**

(21) Appl. No.: **29/501,958**

(22) Filed: **Sep. 10, 2014**

(30) **Foreign Application Priority Data**

Mar. 10, 2014 (WO) DM/083 091

(51) **LOC (10) CL.** **10-02**

(52) **U.S. CL.**
USPC **D10/39**

(58) **Field of Classification Search**
USPC D10/30-39, 122-132; 368/276, 281,
368/282, 223, 228, 232, 233
CPC G04B 19/06; G04B 45/0061; G04B 47/04;
G04B 4/005; G04B 19/048; G04B 19/025;
G04B 45/02; G04B 19/24
See application file for complete search history.

(56) **References Cited**

U.S. PATENT DOCUMENTS

1,950,189 A * 3/1934 Pejchar 368/21
D354,012 S * 1/1995 Barbara D10/39
D385,805 S * 11/1997 Giardiello D10/39
D434,680 S * 12/2000 Fallani D10/39

D474,118 S * 5/2003 Monachon D10/32
D477,236 S * 7/2003 Robert-Tissot D10/39
D505,342 S * 5/2005 Hayek D10/39
D508,860 S * 8/2005 Plan D10/39
7,134,783 B2 * 11/2006 Schmiedchen et al. 368/190
D568,180 S * 5/2008 Laucella D10/39
D570,230 S * 6/2008 Monachon D10/32
D578,901 S * 10/2008 Laucella D10/38
D579,793 S * 11/2008 Hayek D10/39
D591,180 S * 4/2009 Monachon D10/39
D641,264 S * 7/2011 Garcia D10/39
8,328,413 B2 * 12/2012 Lechot et al. 368/124
D691,902 S * 10/2013 Mille D10/39
D694,655 S * 12/2013 Rufenacht D10/38
D704,574 S * 5/2014 Lasserre D10/39
2014/0098648 A1 * 4/2014 Breckman 368/228

* cited by examiner

Primary Examiner — Lucy Lieberman

(74) *Attorney, Agent, or Firm* — Donald J. Ranft; Kristen A. Mogavero; Collen IP

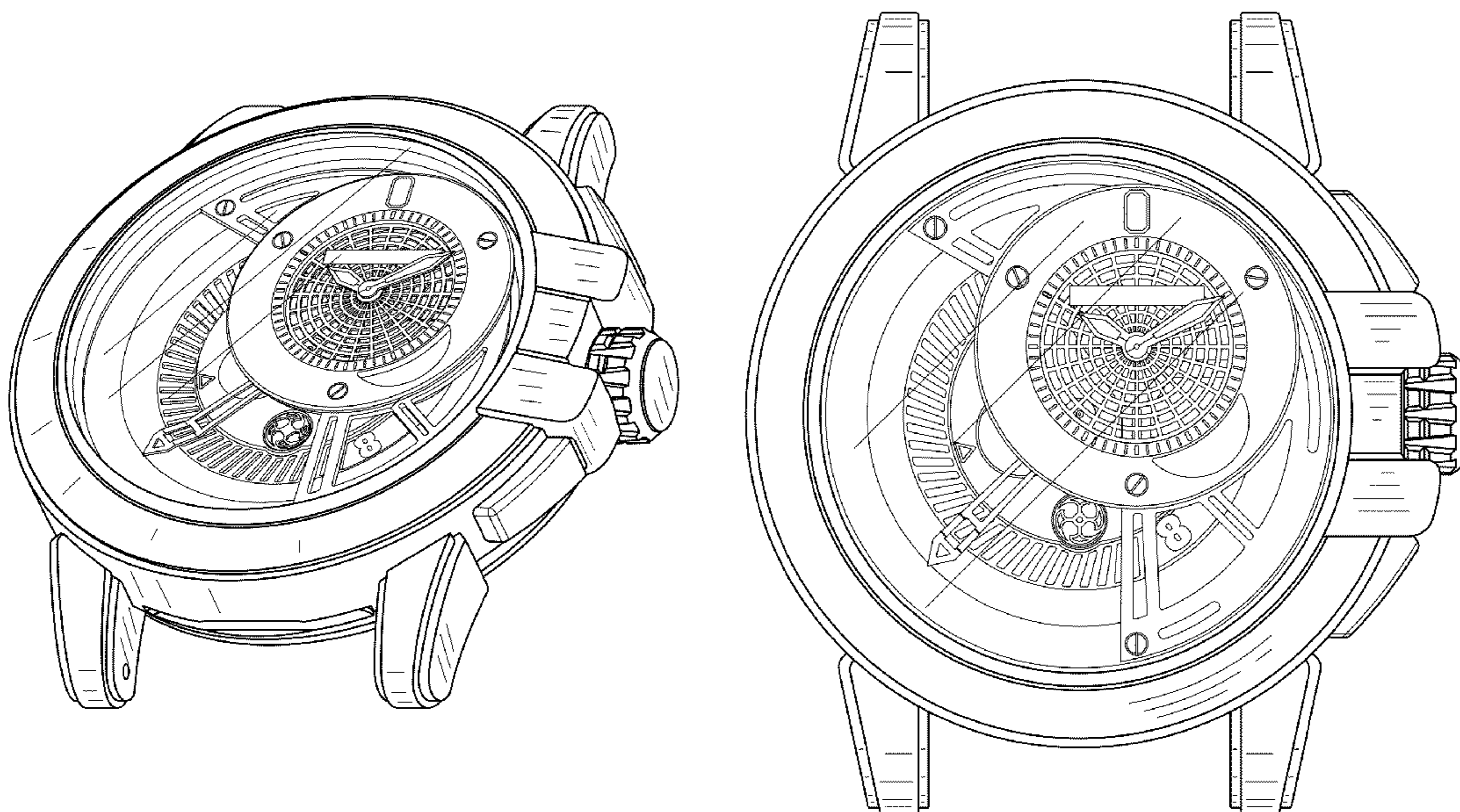
(57) **CLAIM**

The ornamental design for a watch, as shown.

DESCRIPTION

FIG. 1 is a front right perspective view of a watch showing my new design;
FIG. 2 is a front view thereof;
FIG. 3 is a rear view thereof;
FIG. 4 is a left side view thereof;
FIG. 5 is a right side view thereof;
FIG. 6 is a top view thereof;
FIG. 7 is a bottom view thereof;
FIG. 8 is a rear right perspective view thereof;
FIG. 9 is a front left perspective view; and,
FIG. 10 is a rear left perspective view thereof.

1 Claim, 8 Drawing Sheets



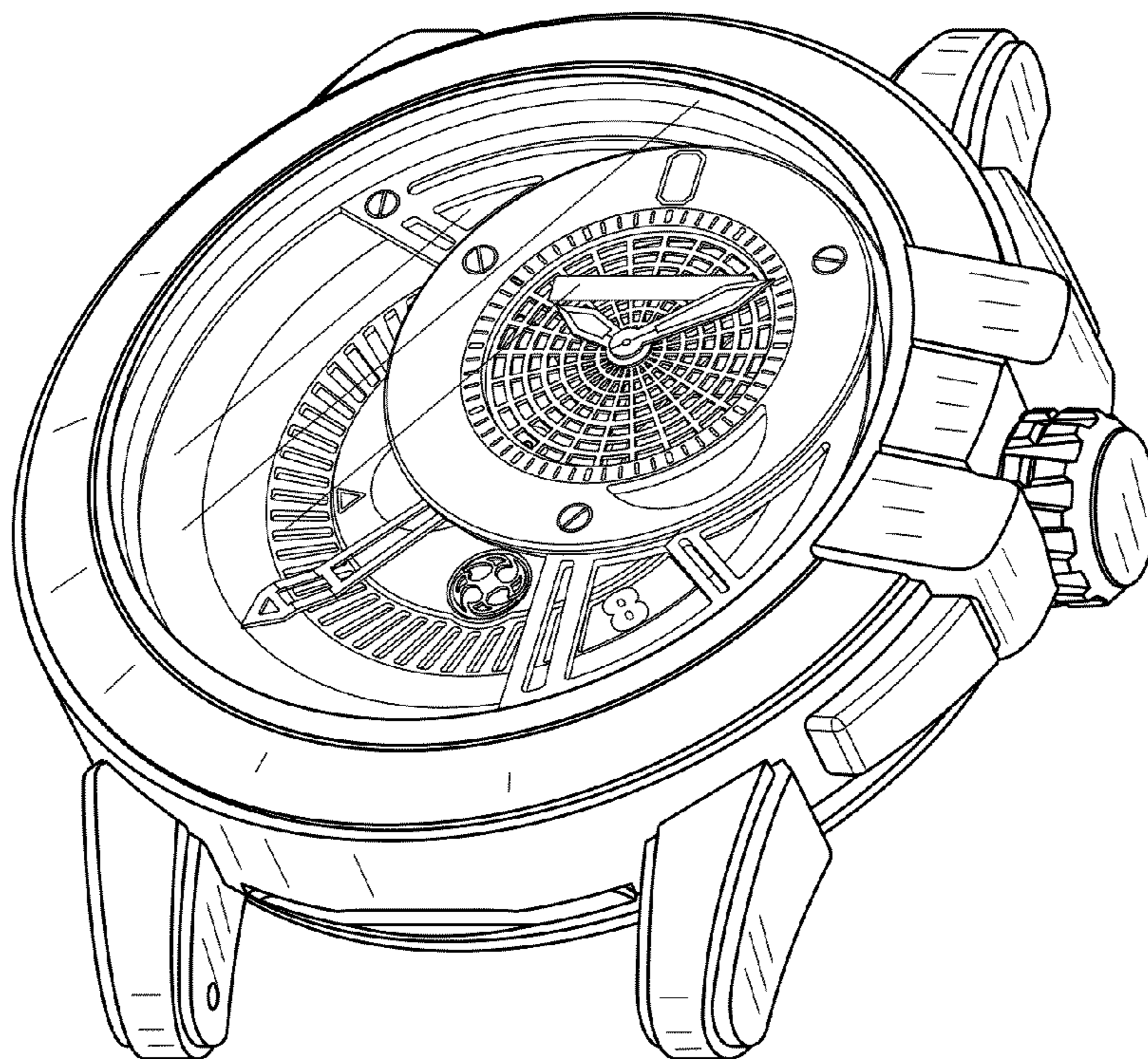


FIG. 1

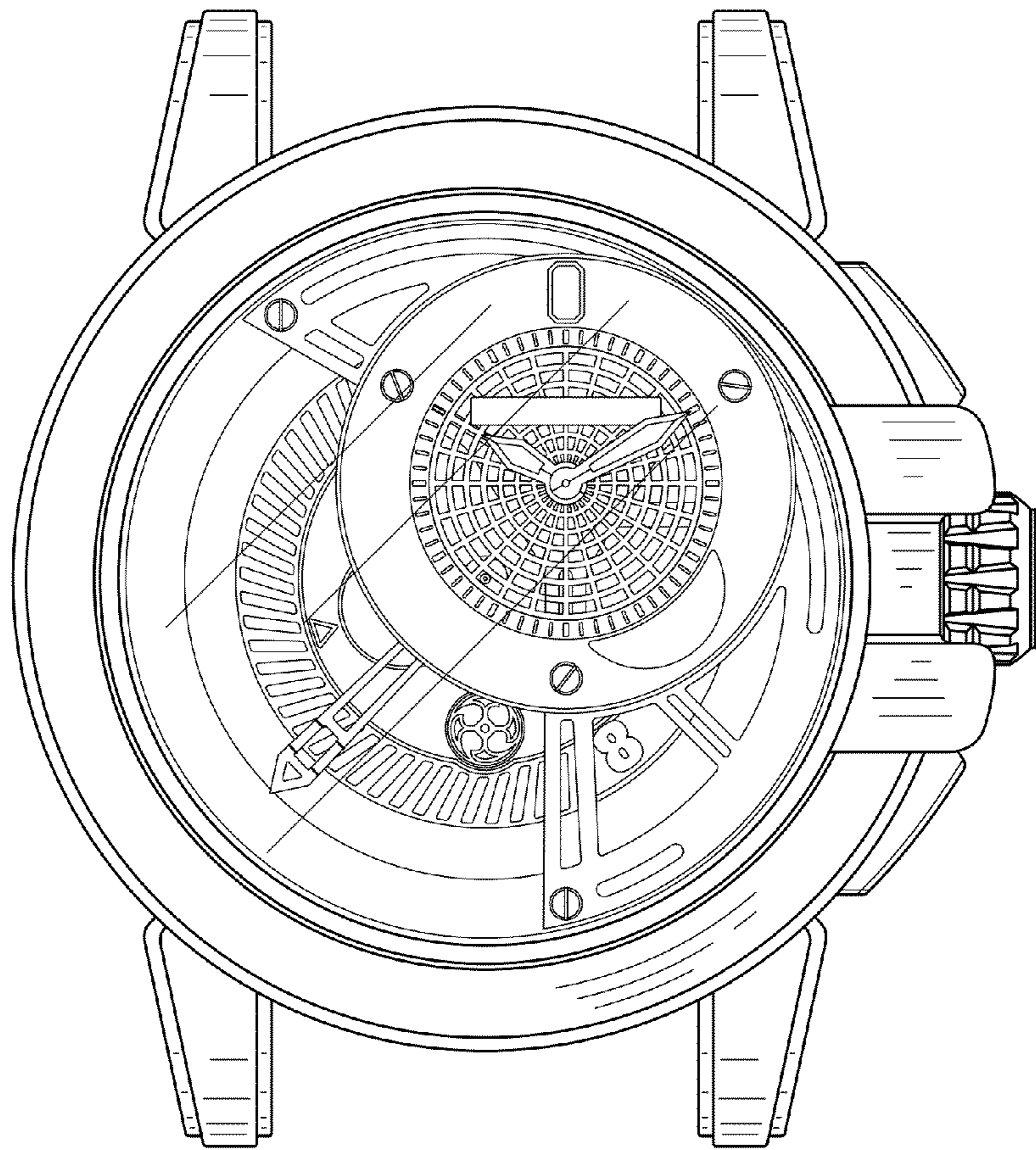


FIG. 2

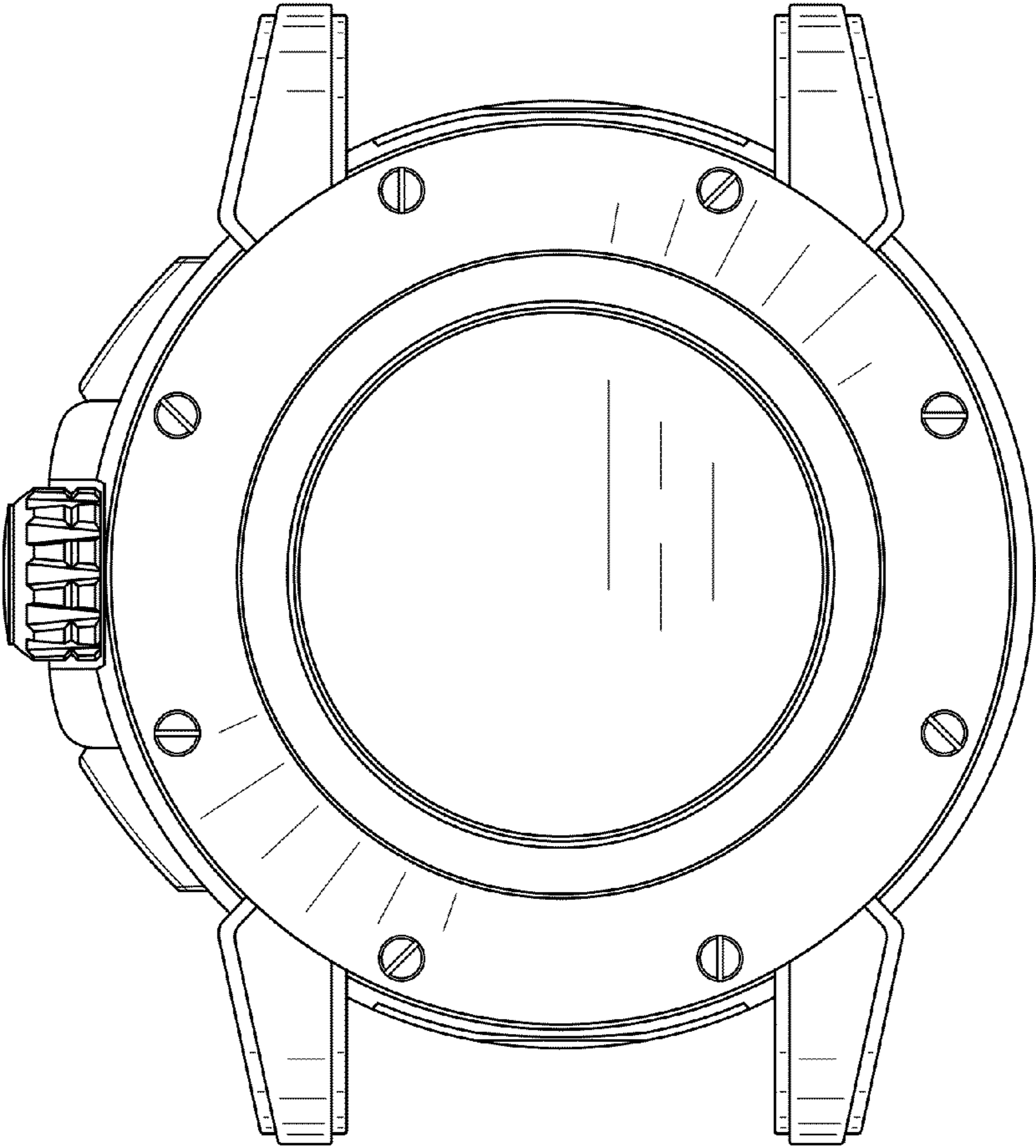


FIG. 3

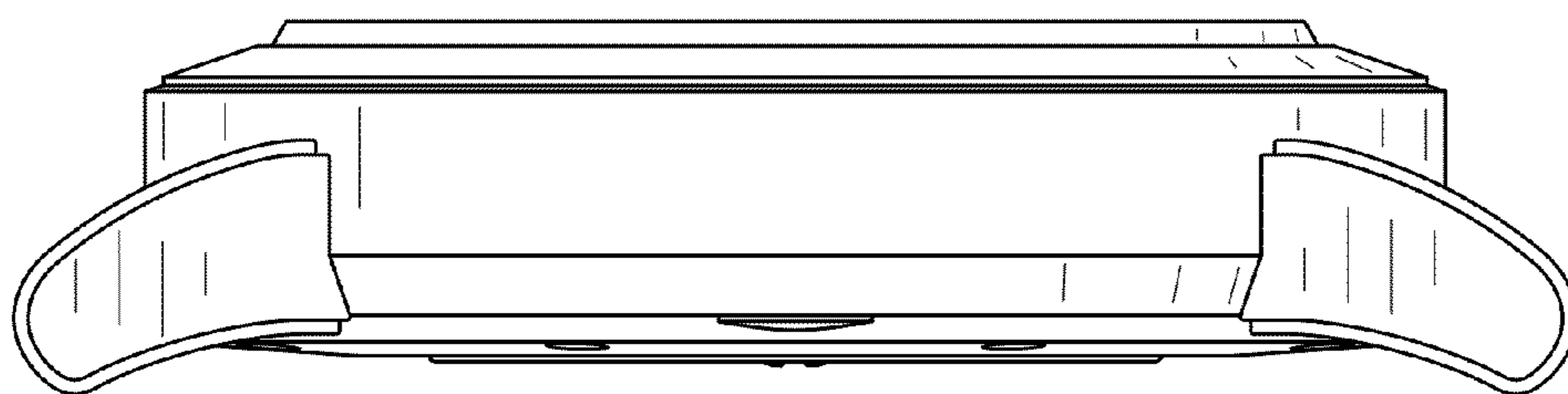


FIG. 4

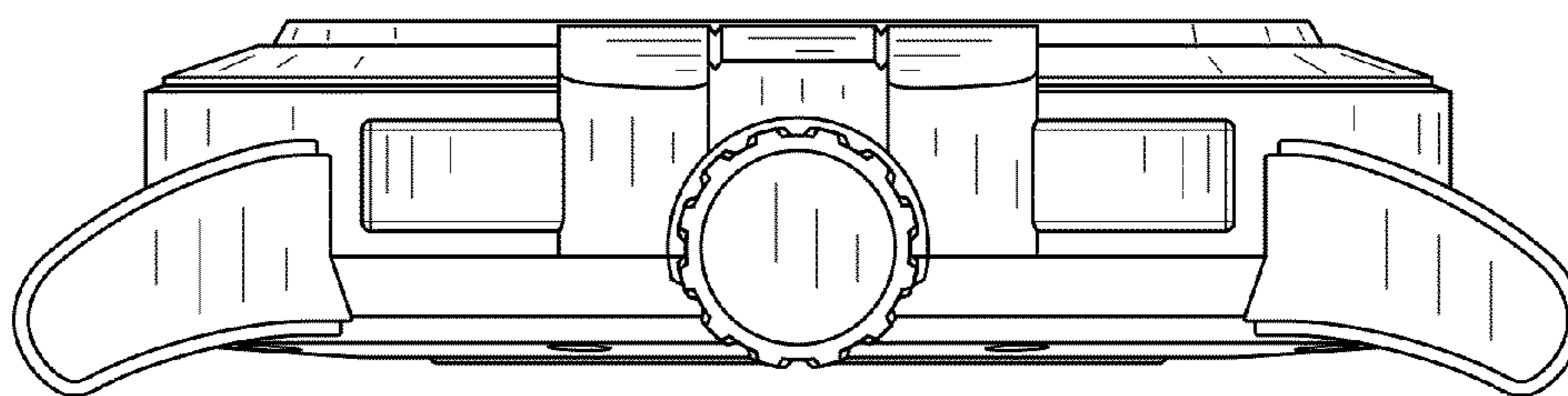


FIG. 5

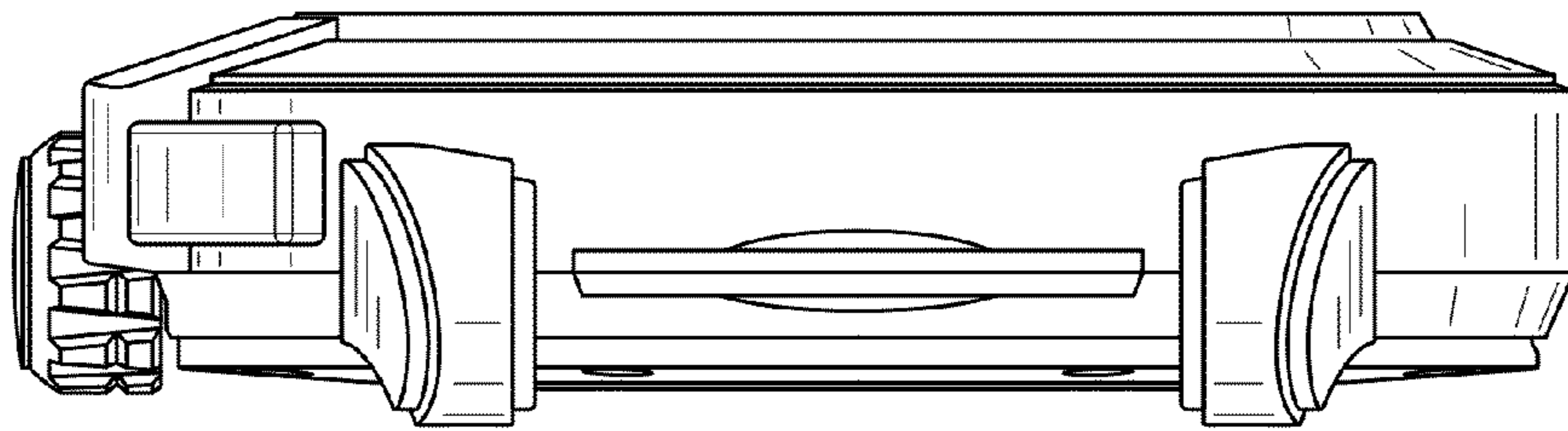


FIG. 6

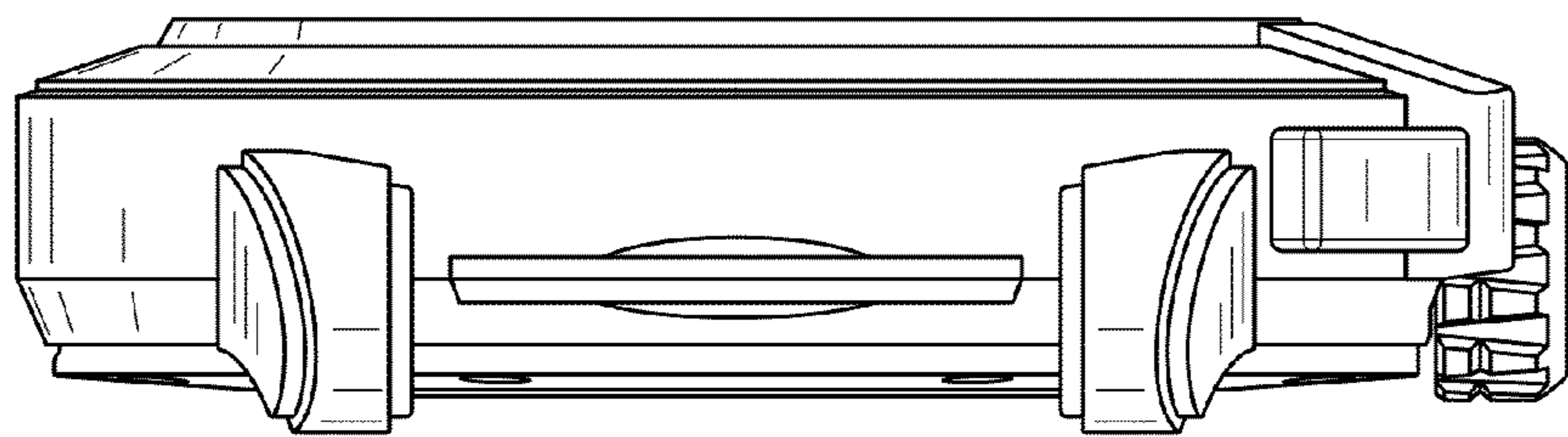


FIG. 7

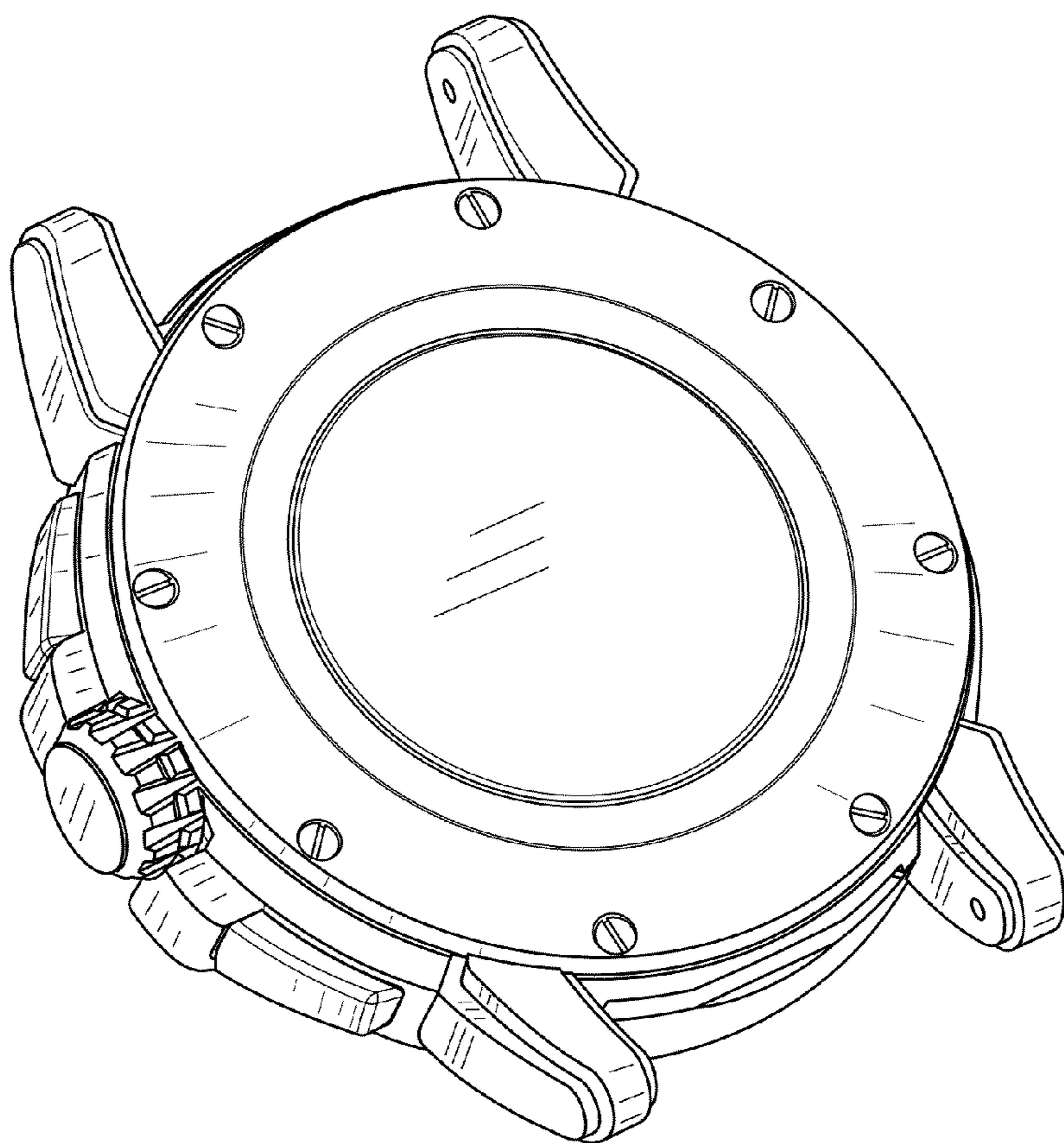


FIG. 8

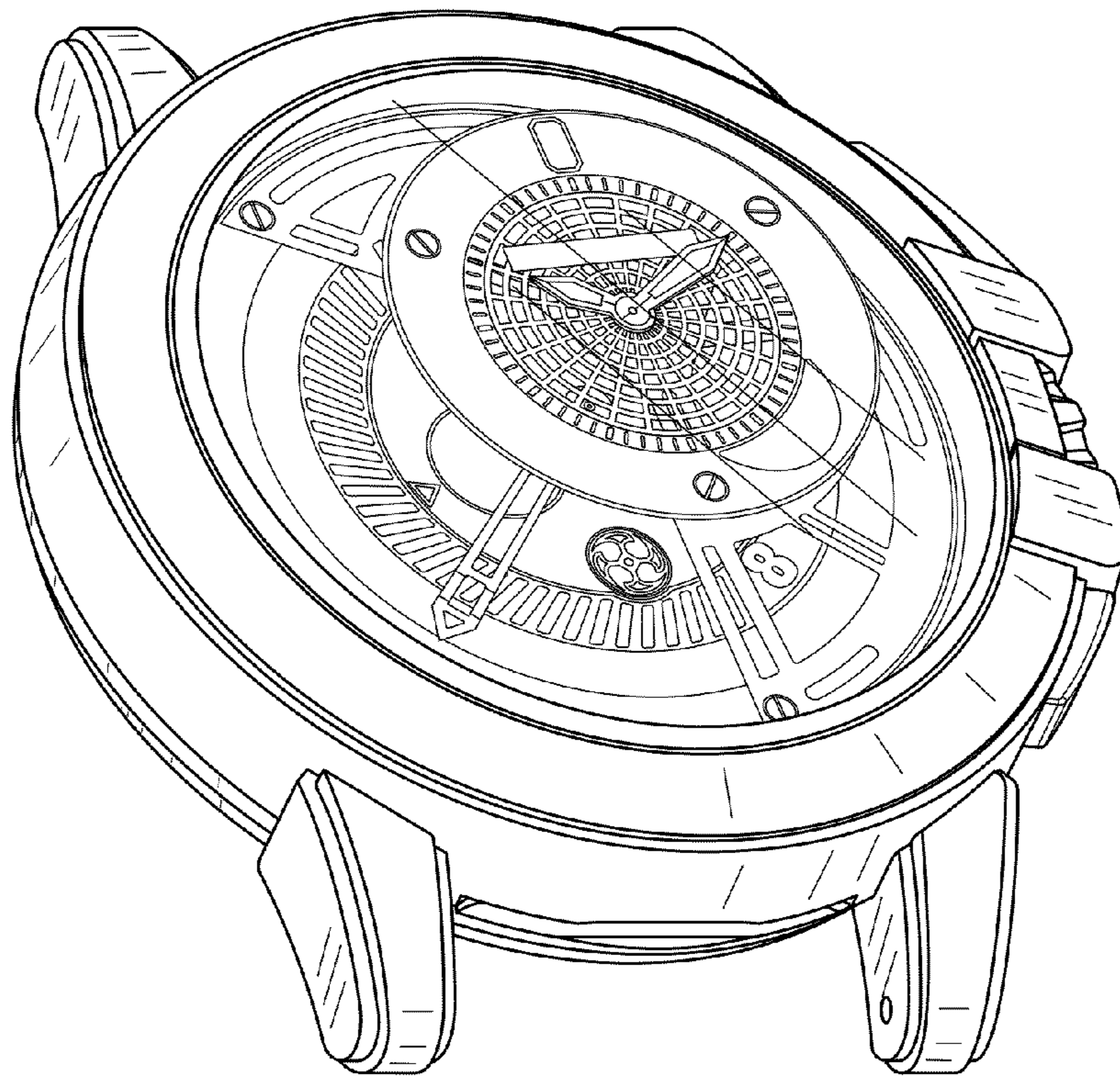


FIG. 9

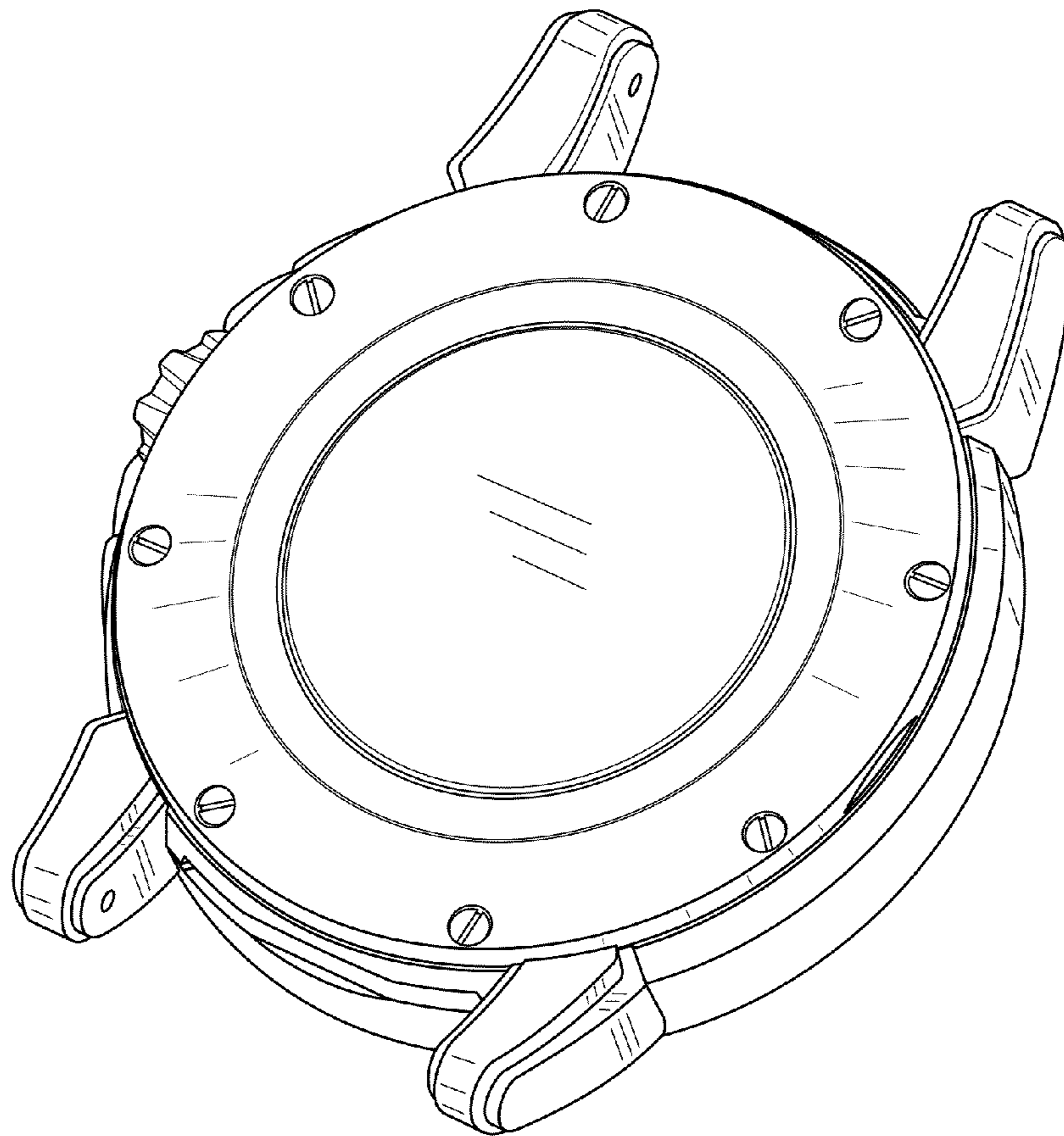


FIG. 10