



US00D733580S

(12) **United States Design Patent**
Cerrato

(10) **Patent No.:** **US D733,580 S**
(45) **Date of Patent:** **** Jul. 7, 2015**

- (54) **WATCH CASE**
- (71) Applicant: **Davide Cerrato**, Geneva (CH)
- (72) Inventor: **Davide Cerrato**, Geneva (CH)
- (73) Assignee: **TUDOR WATCH U.S.A., LLC**, New York, NY (US)
- (**) Term: **14 Years**
- (21) Appl. No.: **29/481,737**
- (22) Filed: **Feb. 10, 2014**

Related U.S. Application Data

- (62) Division of application No. 29/401,898, filed on Sep. 16, 2011, now Pat. No. Des. 701,134.

Foreign Application Priority Data

- (30) Mar. 16, 2011 (CH) 137820

- (51) **LOC (10) Cl.** **10-02**
- (52) **U.S. Cl.**
USPC **D10/38**

- (58) **Field of Classification Search**
USPC D10/30-39, 128; 368/276, 281, 282,
368/290, 319, 320, 321
CPC .. G04B 37/00; G04B 37/008; G04B 37/0058;
G04B 45/0069; G04B 37/081; G04B 21/08;
G04B 37/106
See application file for complete search history.

(56) **References Cited**

U.S. PATENT DOCUMENTS

- D131,628 S 3/1942 Heinmuller
- D195,421 S 6/1963 Huguenin
- 3,475,902 A 11/1969 Wessel
- 3,665,701 A * 5/1972 Burdet 368/295

- 3,740,944 A * 6/1973 Chopard 368/281
- 3,901,023 A * 8/1975 Uebelhardt 368/281
- D240,026 S 5/1976 Szalek
- 5,119,349 A * 6/1992 Muto et al. 368/157
- 5,220,541 A * 6/1993 Vuilleumier 368/88
- D460,002 S 7/2002 Wunderman
- D473,473 S 4/2003 Wunderman
- D485,768 S * 1/2004 Baumann D10/32
- D517,432 S 3/2006 Laucella
- D536,628 S 2/2007 Roth
- D536,998 S * 2/2007 Fujihara D10/38
- D538,181 S * 3/2007 Sugiura D10/31
- D538,182 S 3/2007 Lalo
- D579,350 S 10/2008 Calvani
- D585,309 S 1/2009 Monachon
- D588,941 S * 3/2009 Fasciano D10/38
- D590,727 S * 4/2009 Wei D10/38
- D592,975 S * 5/2009 Markl D10/32
- D618,119 S * 6/2010 Tonohori D10/38
- D624,443 S * 9/2010 Cerrato D10/38
- 7,988,350 B2 * 8/2011 Bonnet et al. 368/297
- D655,630 S 3/2012 Behling
- D658,517 S 5/2012 Behling
- D664,879 S 8/2012 Behling
- D667,316 S * 9/2012 Tonohori D10/32

(Continued)

Primary Examiner — Lucy Lieberman

(74) *Attorney, Agent, or Firm* — Sughrue Moin, PLLC

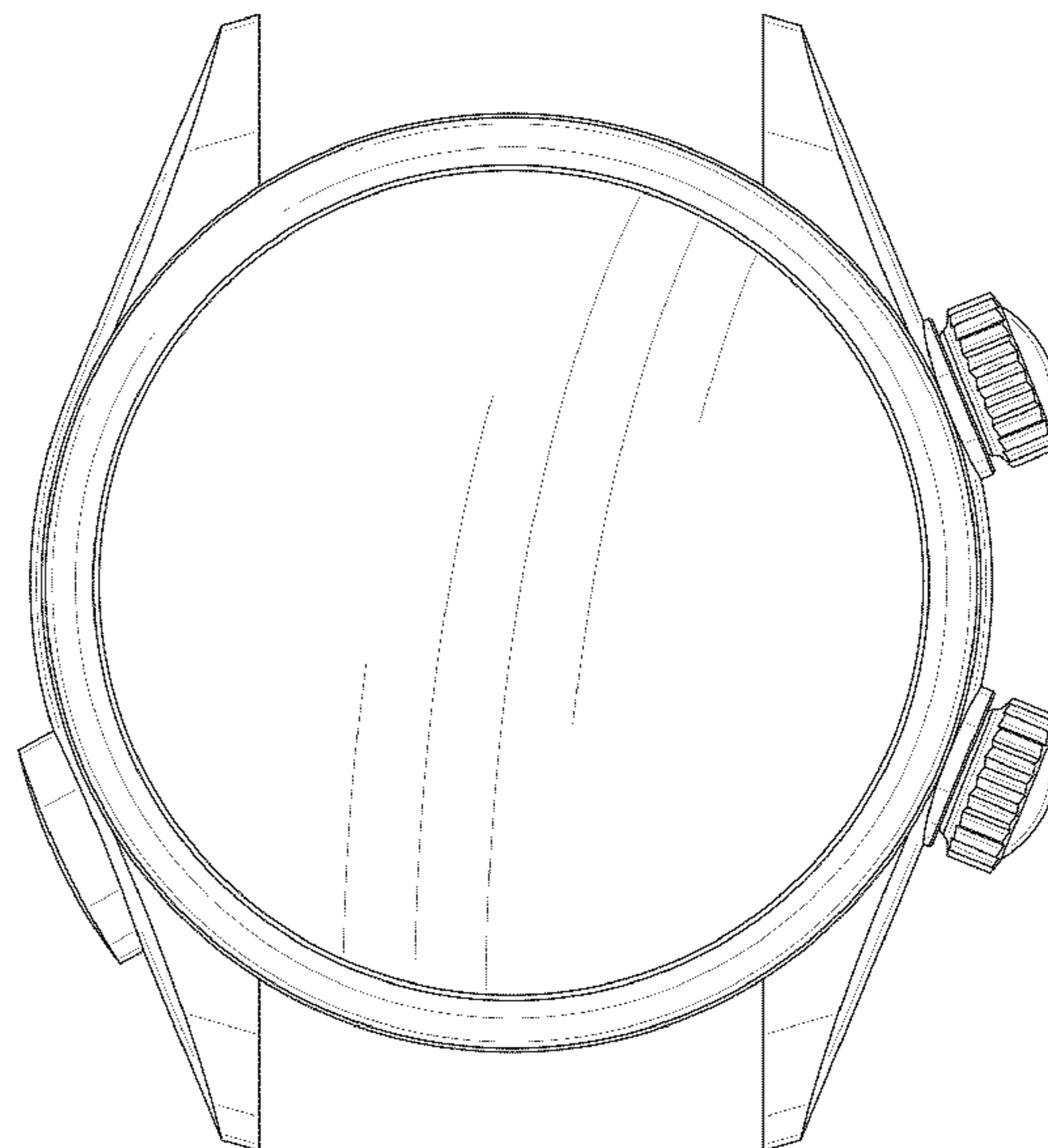
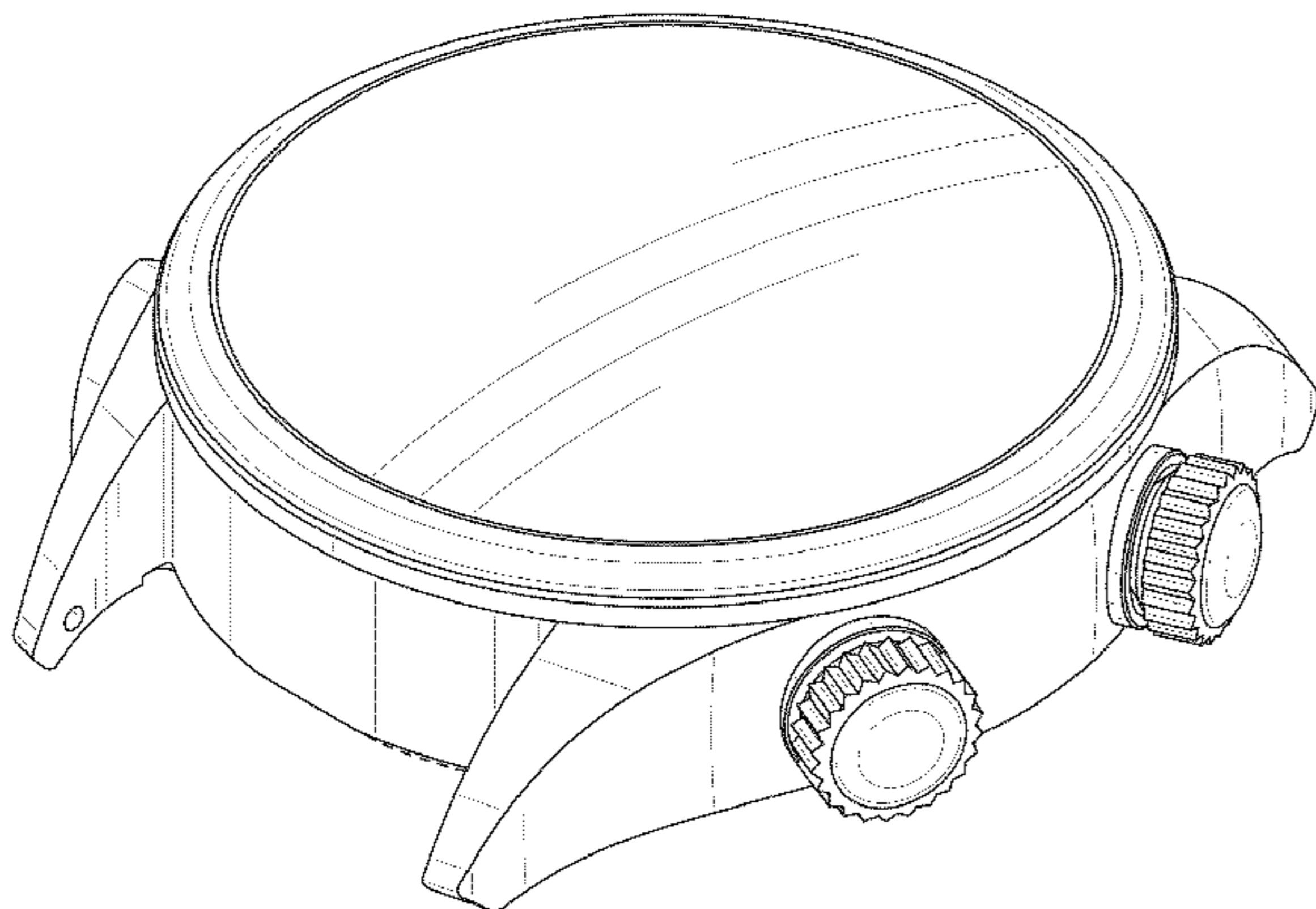
(57) **CLAIM**

The ornamental design for a watch case, as shown and described.

DESCRIPTION

FIG. 1 is a right-top perspective view of the watch case; FIG. 2 is a top view of the watch case; FIG. 3 is a right side view of the watch case; and, FIG. 4 is a left side view of the watch case. The broken lines depict environment only and form no part of the claimed design.

1 Claim, 3 Drawing Sheets



US D733,580 S

Page 2

(56)

References Cited

U.S. PATENT DOCUMENTS

D668,162 S * 10/2012 Inoue D10/39
D691,495 S * 10/2013 Dupont D10/32

D702,136 S * 4/2014 Monachon D10/39
D708,965 S * 7/2014 Monachon D10/39
D711,750 S * 8/2014 Monachon D10/39
2013/0201804 A1* 8/2013 Bertrand et al. 368/281

* cited by examiner

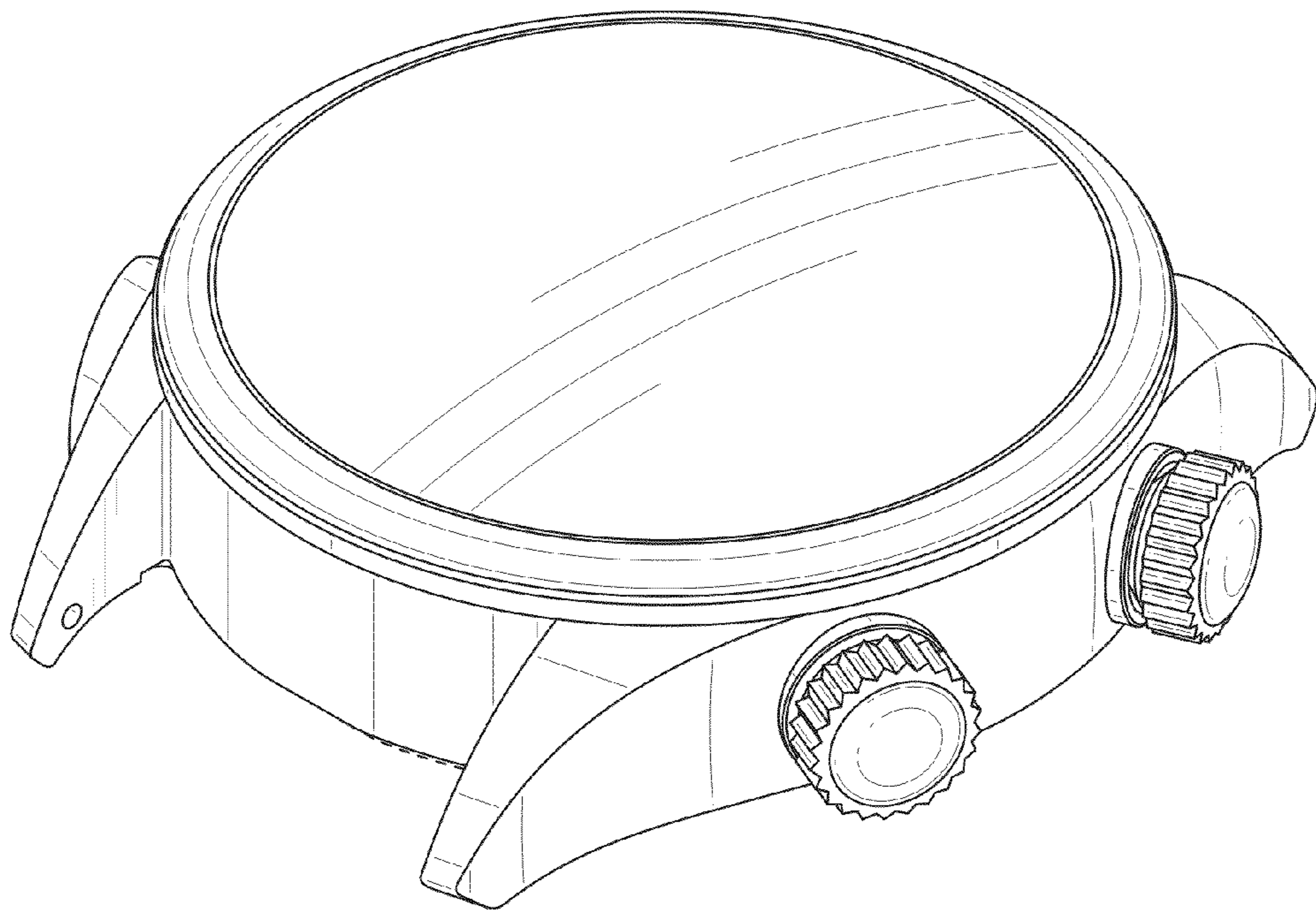


FIG. 1

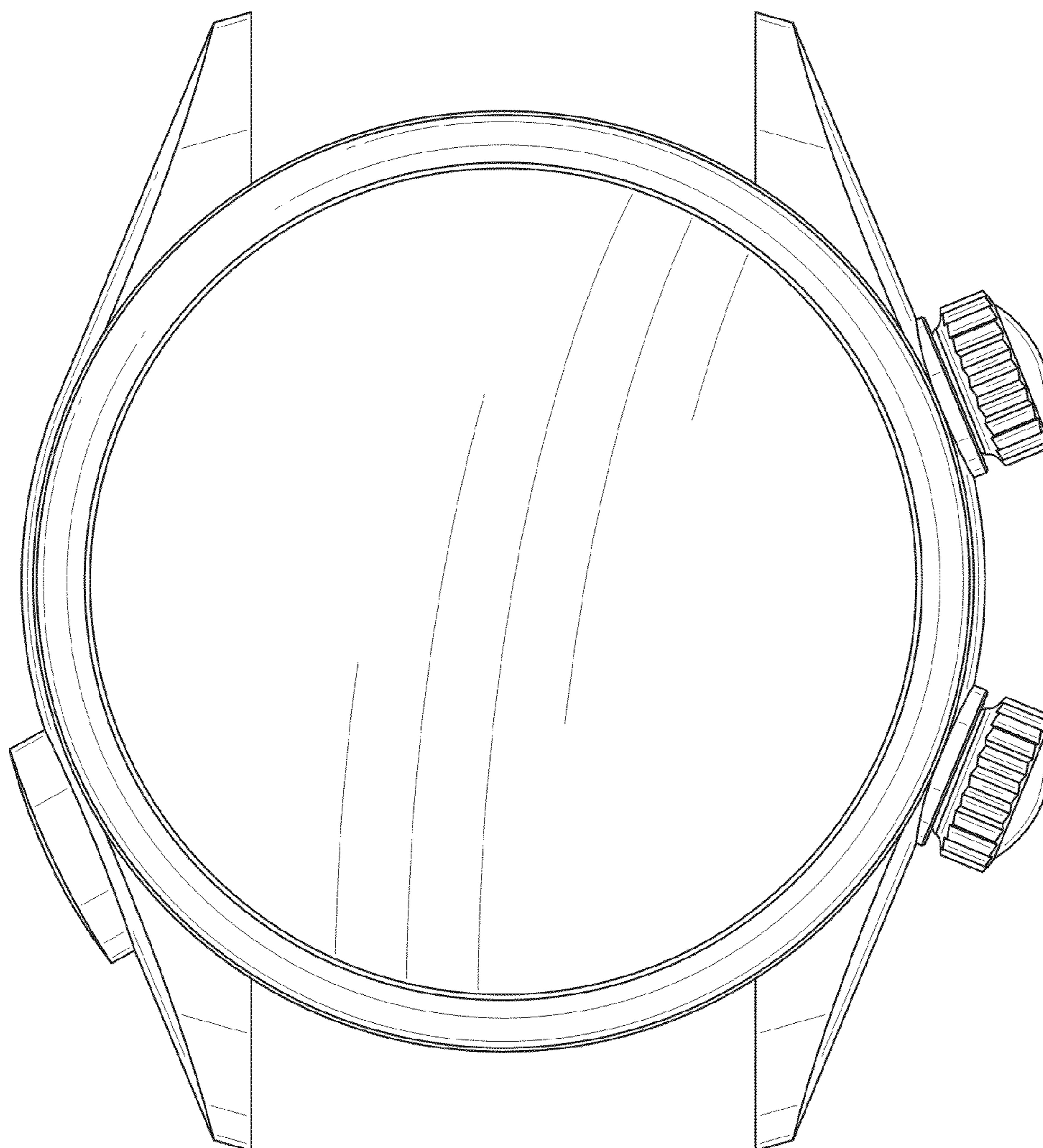


FIG. 2

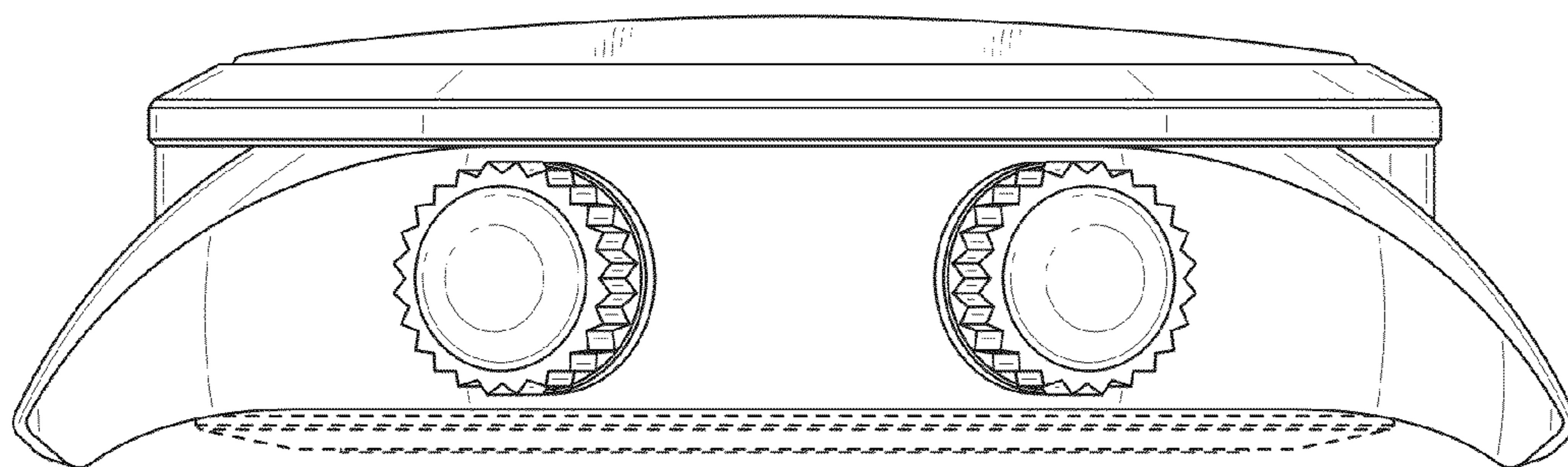


FIG. 3

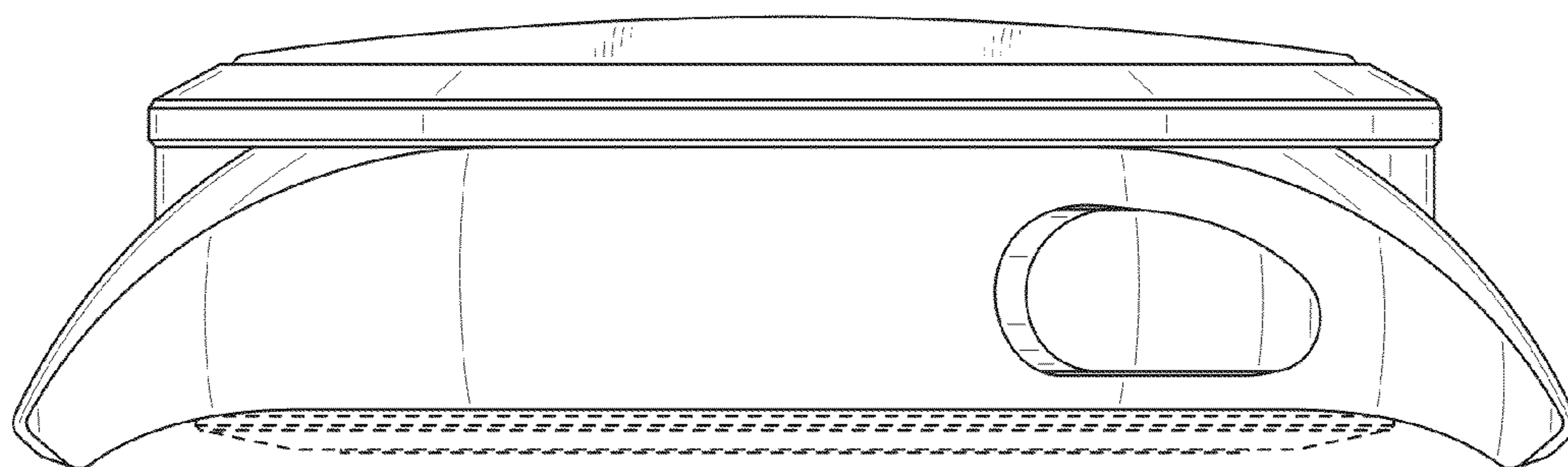


FIG. 4