



US00D733578S

(12) **United States Design Patent**  
**Ikezu et al.**

(10) **Patent No.:** **US D733,578 S**  
(45) **Date of Patent:** **\*\* Jul. 7, 2015**

- (54) **WATCH CASE**
- (71) Applicant: **Casio Keisanki Kabushiki Kaisha**,  
Tokyo (JP)
- (72) Inventors: **Hayato Ikezu**, Tachikawa (JP);  
**Takayasu Akagi**, Hino (JP)
- (73) Assignee: **CASIO KEISANKI KABUSHIKI**  
**KAISHA**, Tokyo (JP)
- (\*\*) Term: **14 Years**
- (21) Appl. No.: **29/462,642**
- (22) Filed: **Aug. 6, 2013**
- (30) **Foreign Application Priority Data**  
Mar. 29, 2013 (CN) ..... 2013 3 0089859
- (51) **LOC (10) Cl.** ..... **10-02**
- (52) **U.S. Cl.**  
USPC ..... **D10/30; D10/38**
- (58) **Field of Classification Search**  
USPC ..... D10/30-39, 1-29, 122-132  
CPC .. G04B 37/00; G04B 37/0008; G04B 37/084;  
G04B 37/225; G04B 45/00; G04B 45/0069;  
G04C 3/00; G04C 3/001; G04G 17/00;  
G04G 17/08  
See application file for complete search history.

D387,677 S *	12/1997	Hanagata .....	D10/30
D394,404 S *	5/1998	Ishizaka et al. ....	D10/38
D394,610 S *	5/1998	Ishizaka et al. ....	D10/30
D395,402 S *	6/1998	Goto .....	D10/30
D400,805 S *	11/1998	Hanagata .....	D10/38
D407,332 S *	3/1999	Kojima .....	D10/30
D412,854 S *	8/1999	Oshita .....	D10/30
D415,041 S *	10/1999	Goto et al. ....	D10/30
D418,429 S *	1/2000	Goto .....	D10/30
D430,808 S *	9/2000	Hanagata .....	D10/30
D434,988 S *	12/2000	Kojima .....	D10/30
D664,450 S *	7/2012	Syoubayashi .....	D10/39
D685,666 S *	7/2013	Nakai .....	D10/131
2004/0145975 A1 *	7/2004	Barras et al. ....	368/281
2012/0075964 A1 *	3/2012	Hirayama .....	368/281

\* cited by examiner

*Primary Examiner* — Martie K Holtje  
(74) *Attorney, Agent, or Firm* — Holtz, Holtz, Goodman & Chick PC

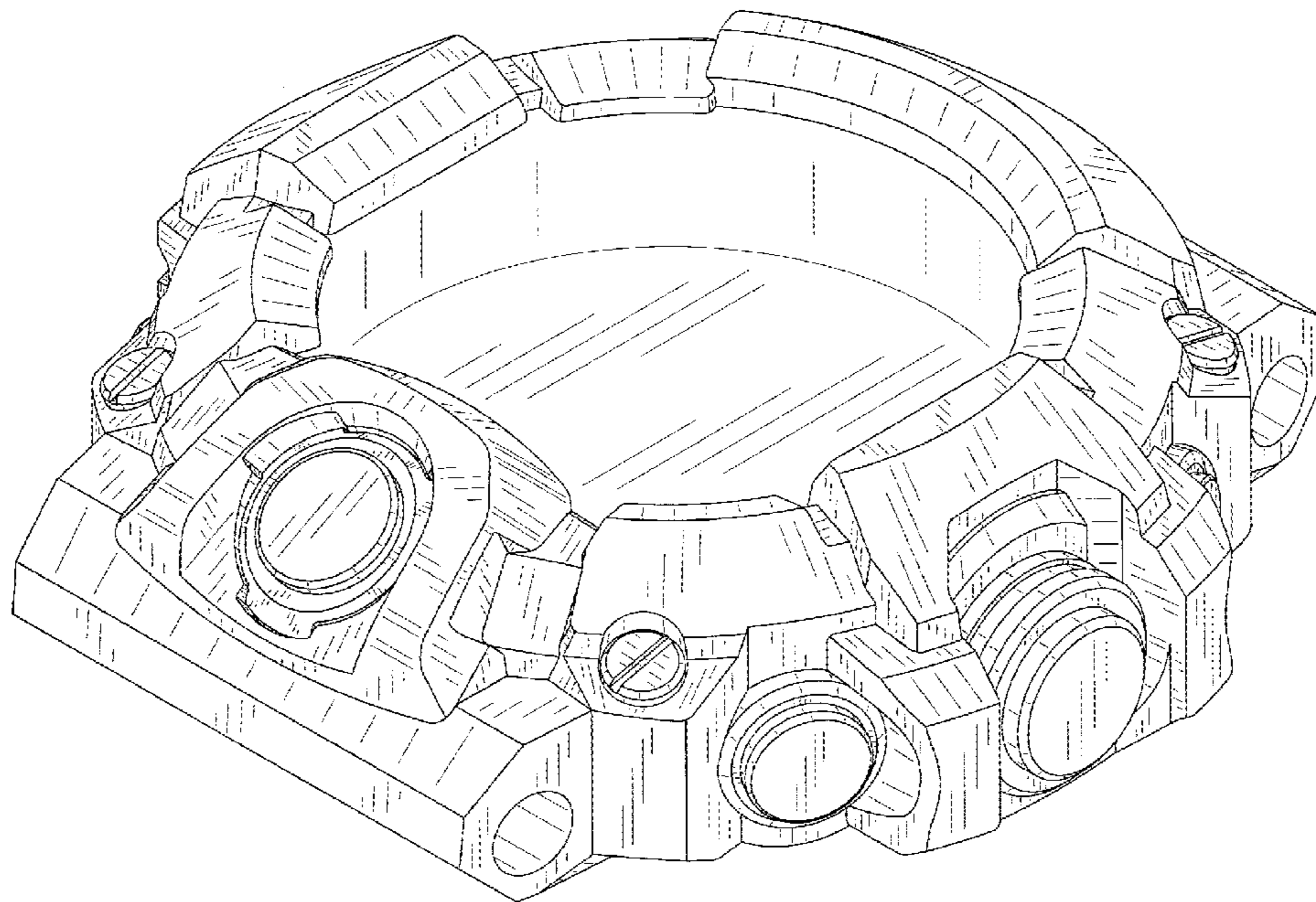
- (56) **References Cited**  
U.S. PATENT DOCUMENTS  
D339,749 S \* 9/1993 Ishizaka ..... D10/38  
D360,835 S \* 8/1995 Sayama ..... D10/38

(57) **CLAIM**  
The ornamental design for a watch case, as shown.

**DESCRIPTION**

FIG. 1 is a front, right side, bottom perspective view of a watch case showing our new design;  
FIG. 2 is a front elevational view thereof;  
FIG. 3 is a rear elevational view thereof;  
FIG. 4 is a left side view thereof;  
FIG. 5 is a right side view thereof;  
FIG. 6 is a top plan view thereof; and,  
FIG. 7 is a bottom plan view thereof.

**1 Claim, 6 Drawing Sheets**



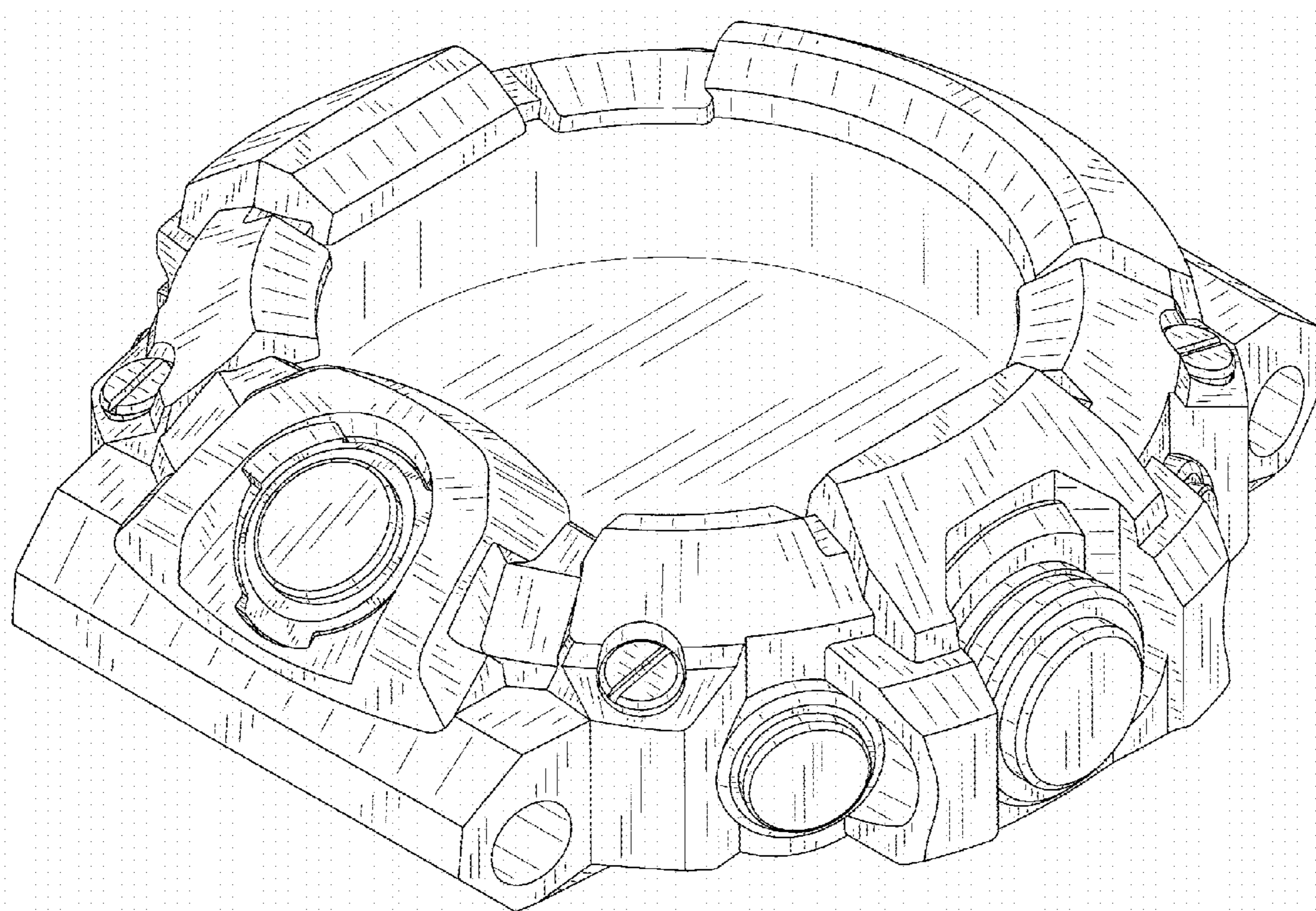


FIG. 1

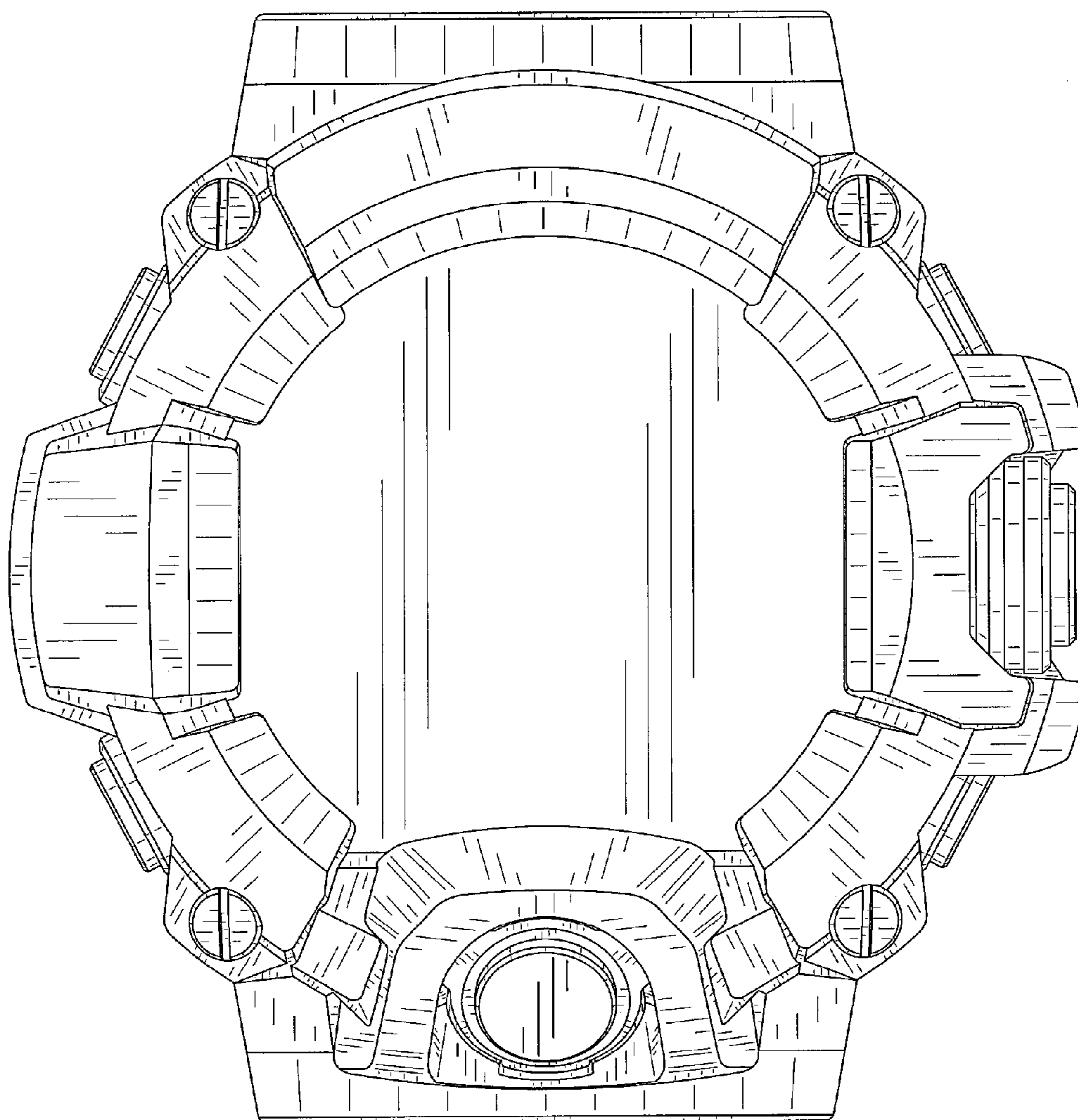


FIG. 2

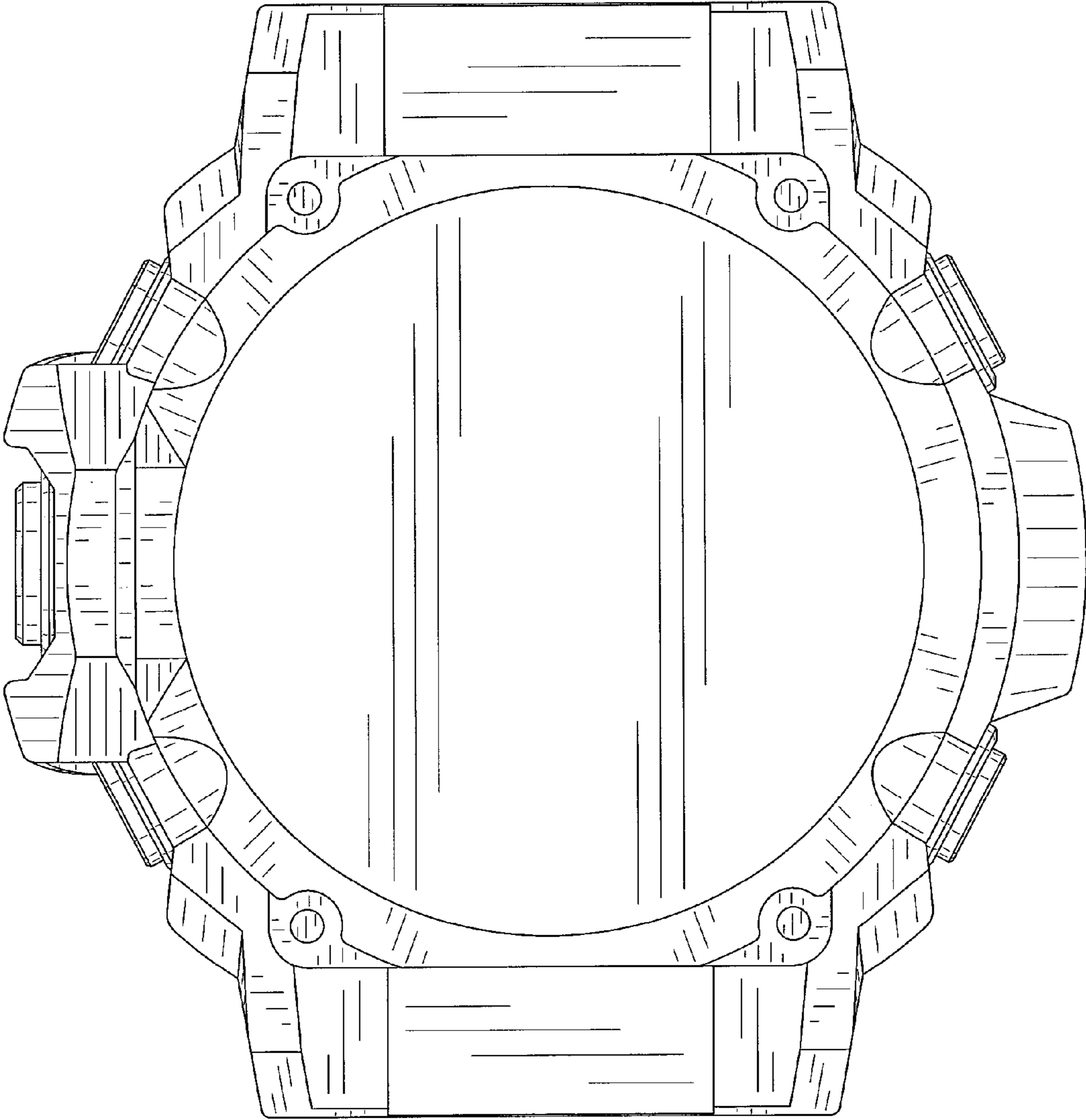


FIG. 3

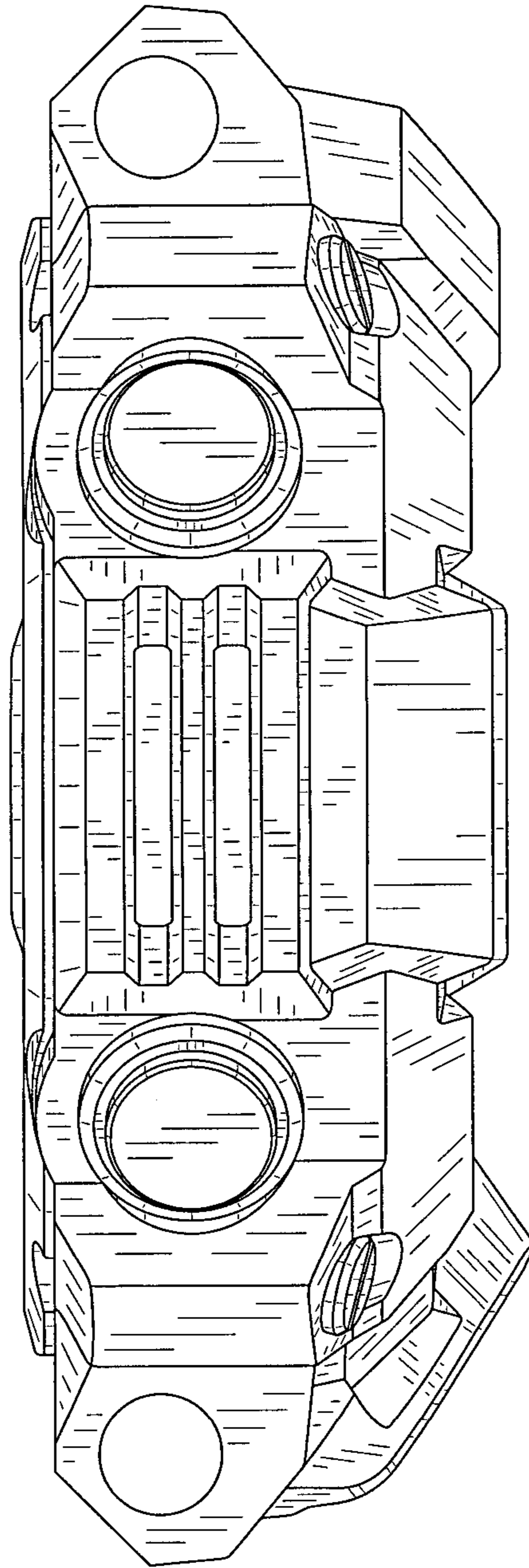


FIG. 4

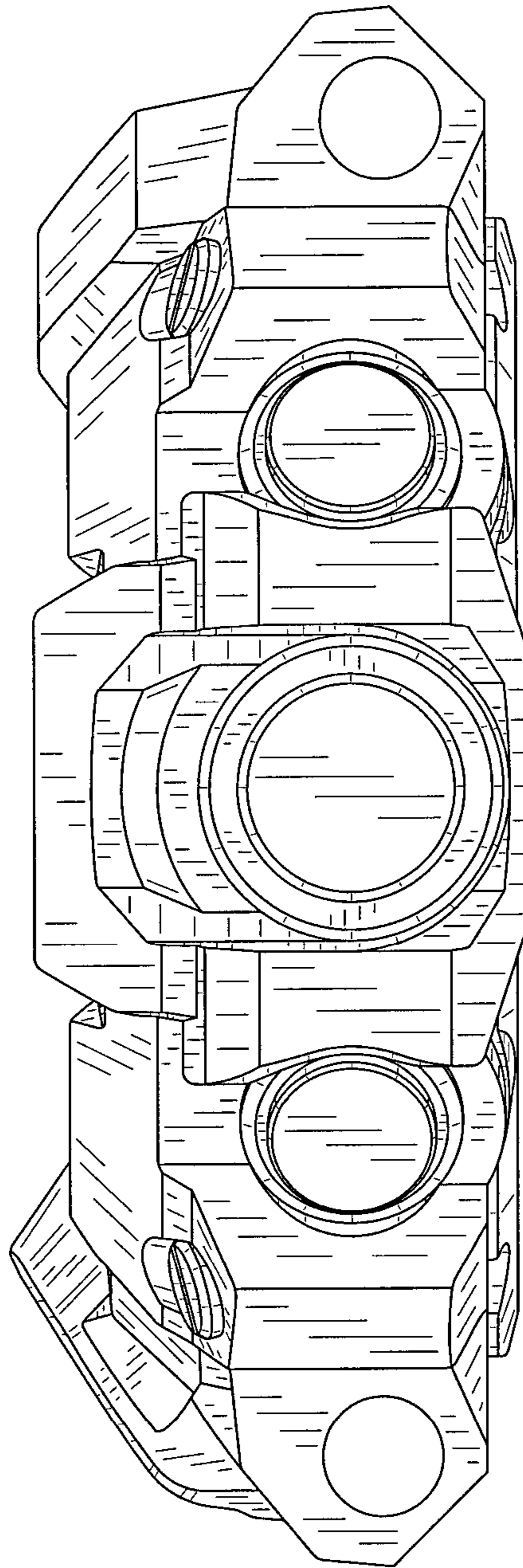


FIG. 5

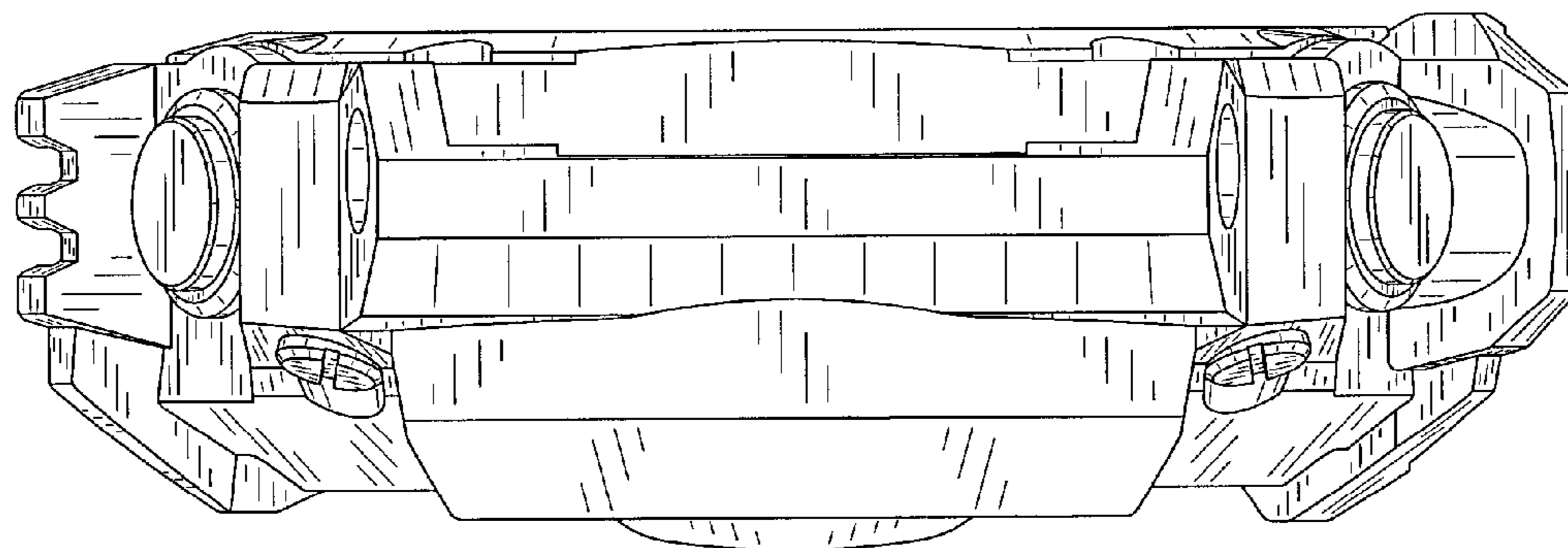


FIG. 6

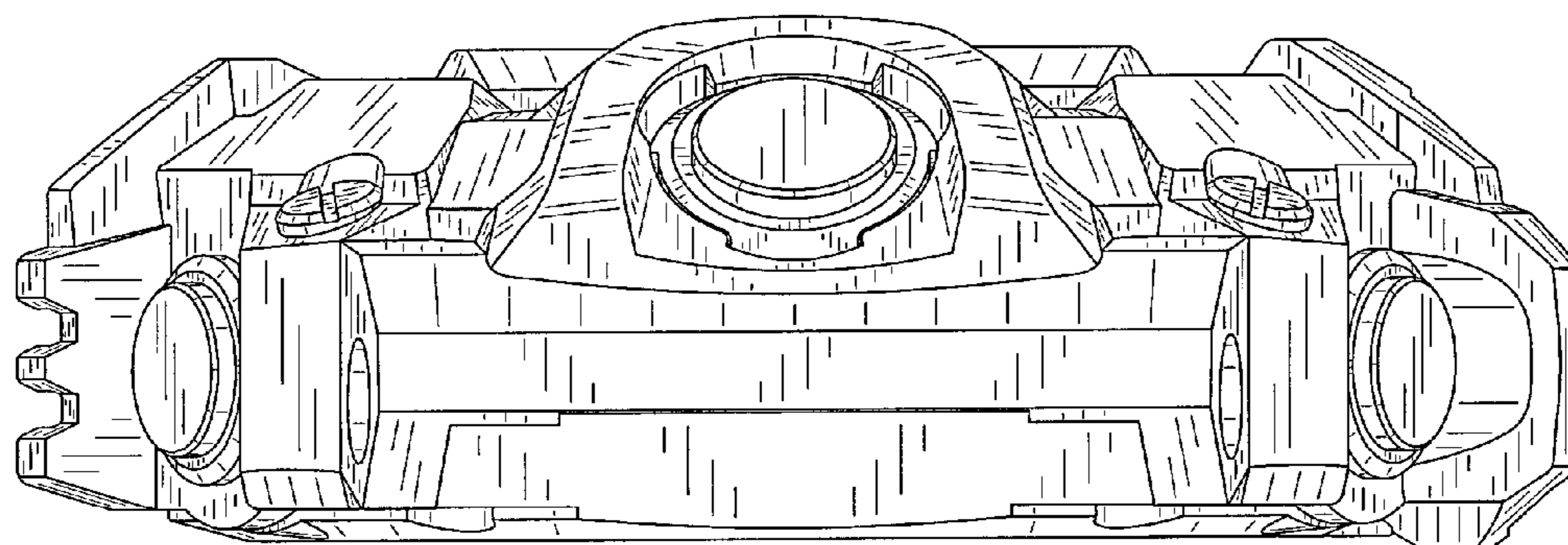


FIG. 7