

US00D733576S

(12) **United States Design Patent**
Sanders

(10) **Patent No.:** **US D733,576 S**
(45) **Date of Patent:** **** Jul. 7, 2015**

- (54) **SANDWICH WRAP**
- (71) Applicant: **Scott Sanders**, Moreland Hills, OH (US)
- (72) Inventor: **Scott Sanders**, Moreland Hills, OH (US)
- (*) Notice: This patent is subject to a terminal disclaimer.
- (**) Term: **14 Years**
- (21) Appl. No.: **29/436,592**
- (22) Filed: **Nov. 7, 2012**
- (51) **LOC (10) Cl.** **09-05**
- (52) **U.S. Cl.**
USPC **D9/713**
- (58) **Field of Classification Search**
USPC D9/713; D7/607, 368, 687, 669;
150/154, 105; 383/110, 121.1, 2, 6, 98,
383/13, 15; 220/592.25, 592.2; 62/372
See application file for complete search history.

6,234,384	B1	5/2001	Capy et al.	
D445,027	S *	7/2001	Sherts et al.	D9/444
D457,287	S *	5/2002	Geisen	D2/608
6,702,178	B2	3/2004	Bowers et al.	
D699,079	S *	2/2014	Lloyd	D7/601

FOREIGN PATENT DOCUMENTS

CA	2248601	3/1999
GB	189654	12/1922

* cited by examiner

Primary Examiner — Caron D Veynar

Assistant Examiner — Holly E Thurman

(74) *Attorney, Agent, or Firm* — Fay Sharpe LLP

(57) **CLAIM**

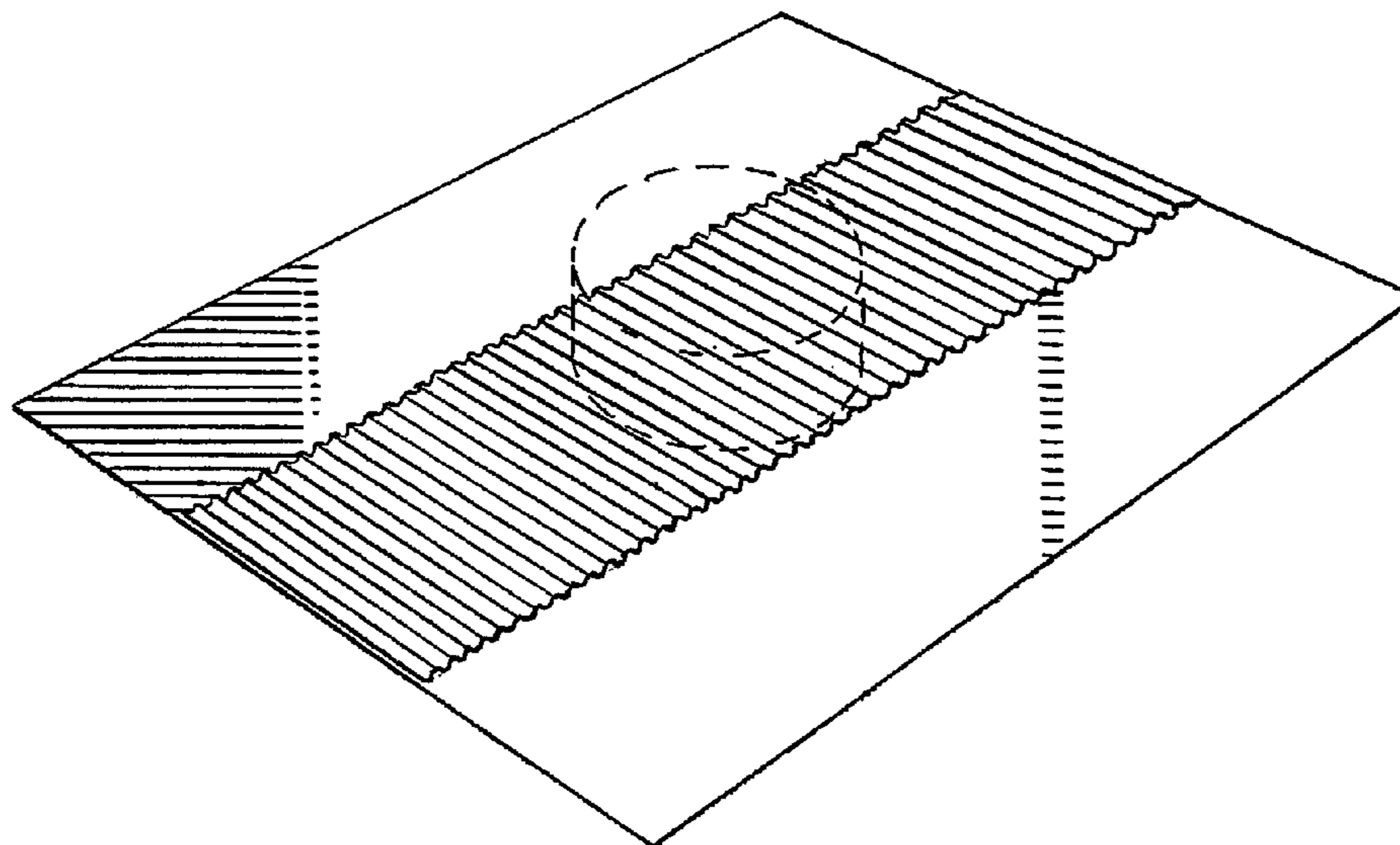
The ornamental design for a sandwich wrap, as shown and described.

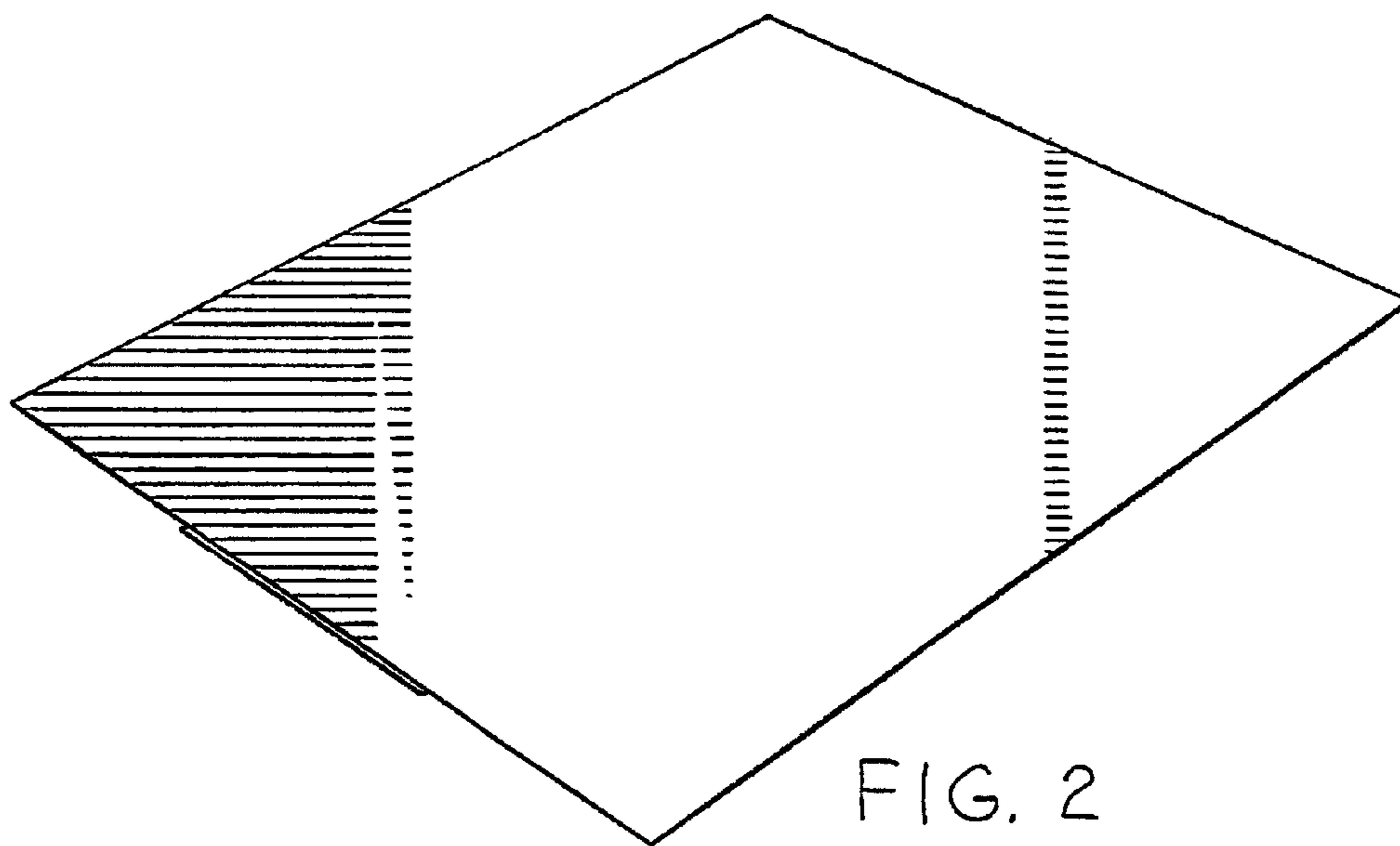
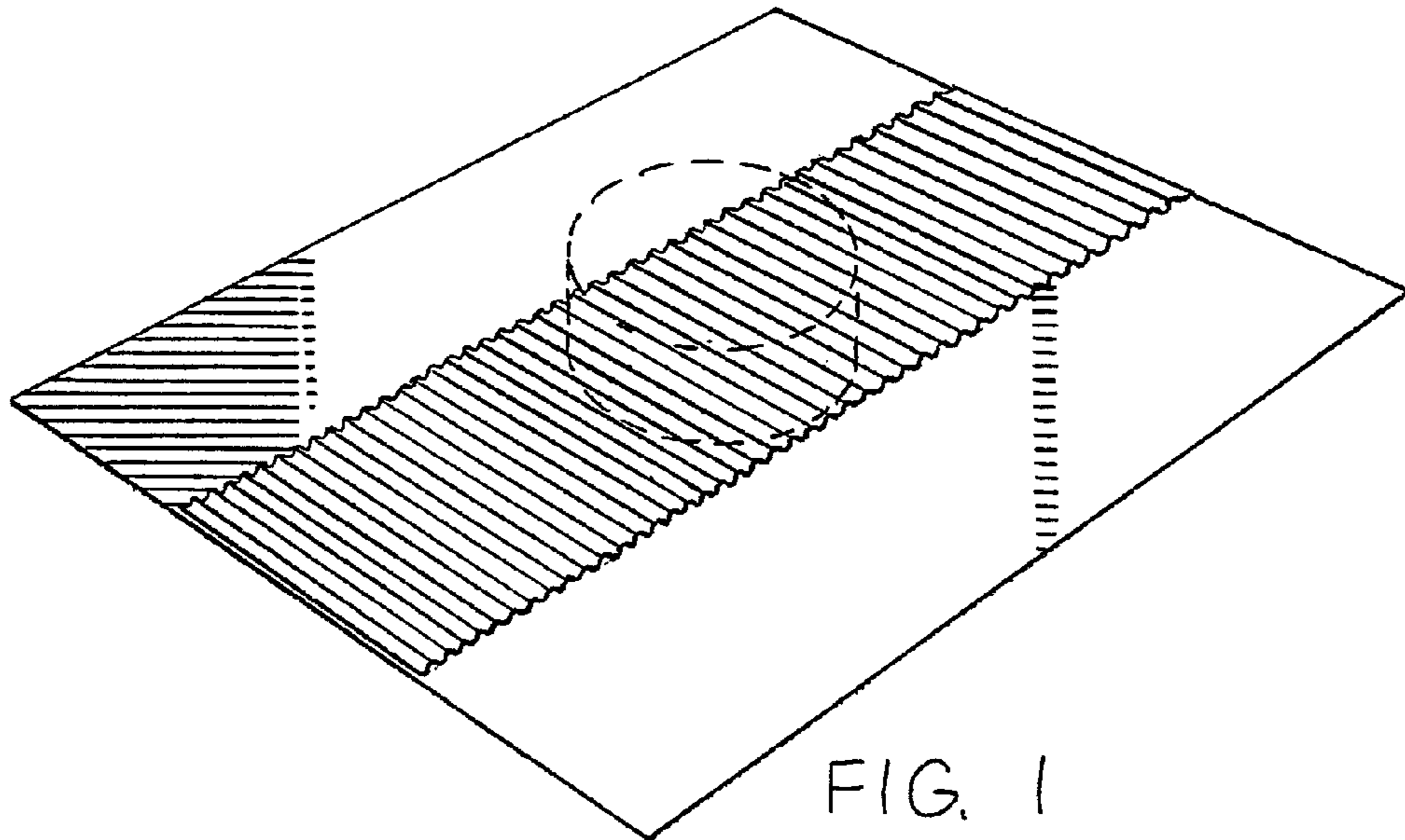
DESCRIPTION

FIG. 1 is a top perspective view of a sandwich wrap showing my new design;
 FIG. 2 is a bottom perspective view thereof;
 FIG. 3 is a left side view thereof;
 FIG. 4 is a front end view thereof; and,
 FIG. 5 is a top perspective view thereof showing the rear end partially wrapped over a sandwich.
 In the drawings, the broken lines depict environmental subject matter only and form no part of the claimed design.

1 Claim, 3 Drawing Sheets

- (56) **References Cited**
- U.S. PATENT DOCUMENTS
- D92,259 S * 5/1934 Kulander D9/713
- 2,387,217 A 10/1945 Scott
- D203,009 S * 11/1965 Loney D9/456
- 3,964,669 A * 6/1976 Sontag et al. 220/62.13
- RE35,241 E 5/1996 Capy et al.
- 5,671,882 A 9/1997 Cerwinski et al.
- 5,988,492 A 11/1999 Capy et al.
- 6,209,784 B1 4/2001 Jensen





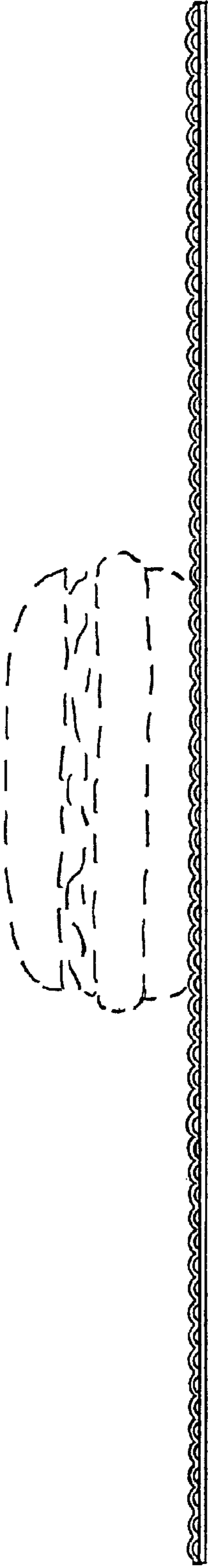


FIG. 3

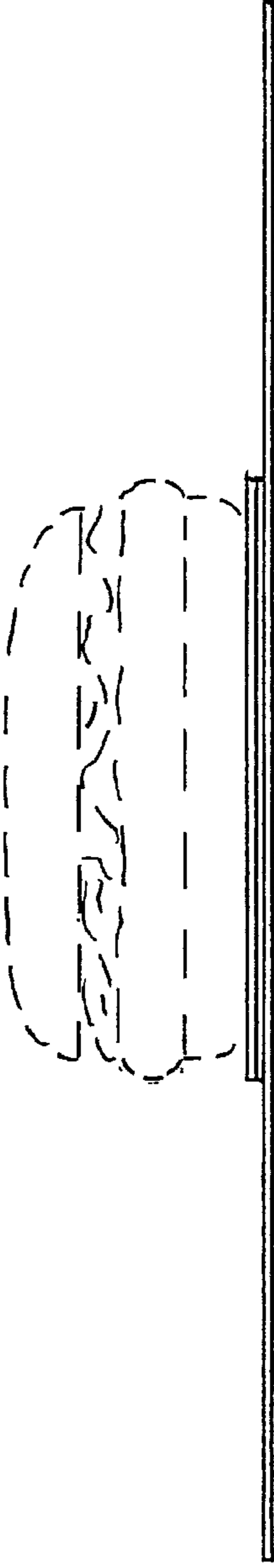


FIG. 4

