



US00D733563S

(12) **United States Design Patent**
Oberlender

(10) **Patent No.:** **US D733,563 S**

(45) **Date of Patent:** **** *Jul. 7, 2015**

(54) **BOX**

(76) Inventor: **Brian Oberlender**, Miramar, FL (US)

(*) Notice: This patent is subject to a terminal disclaimer.

(**) Term: **14 Years**

(21) Appl. No.: **29/431,386**

(22) Filed: **Sep. 6, 2012**

(51) **LOC (10) Cl.** **09-01**

(52) **U.S. Cl.**

USPC **D9/529**; D9/519; D9/553; D9/558;
D9/559; D9/566; D9/573; D9/574

(58) **Field of Classification Search**

USPC D9/516, 529, 538–539, 545–546,
D9/553–554, 559, 560, 563, 566–567, 572,
D9/574, 451, 452, 454; 215/370, 371, 379,
215/381–383

See application file for complete search history.

(56) **References Cited**

U.S. PATENT DOCUMENTS

| | | | | |
|---------------|---------|---------------|-------|------------|
| D85,363 S * | 10/1931 | Betts | | D9/529 |
| D89,141 S * | 1/1933 | Wilson | | D9/559 |
| D97,681 S * | 12/1935 | Larsen | | D9/566 X |
| D242,738 S * | 12/1976 | Michaeli | | D26/136 |
| 4,248,901 A * | 2/1981 | Austin | | 220/4.27 X |
| D304,298 S * | 10/1989 | Bannister | | D9/559 X |
| D306,400 S * | 3/1990 | Beier-Rosetti | | D9/546 |
| D306,694 S * | 3/1990 | Beier-Rosetti | | D9/559 X |
| D316,669 S * | 5/1991 | Young | | D9/651 |
| D332,721 S * | 1/1993 | Jauhal et al. | | D7/354 |
| D340,882 S * | 11/1993 | Holtkamp, Jr. | | D11/164 |

| | | | | |
|--------------|---------|----------------------|-------|----------|
| D365,516 S * | 12/1995 | Williamson | | D9/651 |
| D367,626 S * | 3/1996 | Shryock | | D11/164 |
| D368,444 S * | 4/1996 | Shryock | | D11/164 |
| D434,325 S * | 11/2000 | Jivago | | D9/651 |
| D477,227 S * | 7/2003 | Goswell | | D9/529 X |
| D519,845 S * | 5/2006 | Ortiz | | D9/559 X |
| D531,912 S * | 11/2006 | Antretter | | D9/546 |
| D543,848 S * | 6/2007 | Mettler et al. | | D9/551 X |
| D565,410 S * | 4/2008 | Canamasas Puigbo | | D9/454 |
| D573,026 S * | 7/2008 | Tsai | | D9/529 X |
| D584,950 S * | 1/2009 | Courtaigne Delalande | ... | D9/574 X |
| D656,829 S * | 4/2012 | Watabe | | 9/452 X |

* cited by examiner

Primary Examiner — Carol P Rademaker

(74) *Attorney, Agent, or Firm* — Mayback & Hoffman, P.A.;
Gregory L. Mayback

(57) **CLAIM**

The ornamental design for a box, as shown and described.

DESCRIPTION

FIG. 1 is a top, front perspective view of a box according to the present invention;

FIG. 2 is a top plan view thereof;

FIG. 3 is a bottom plan view thereof;

FIG. 4 is a front elevational view thereof;

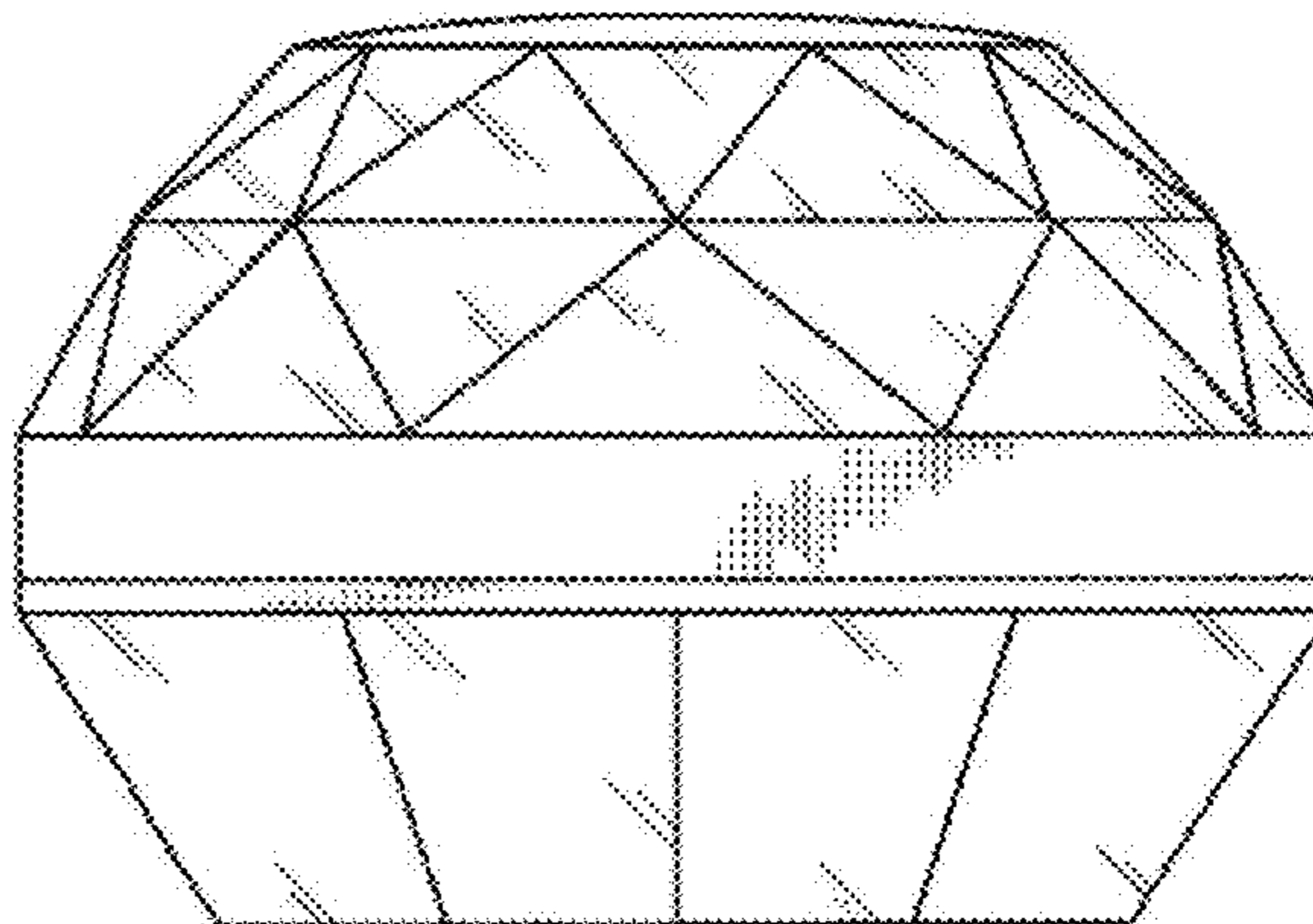
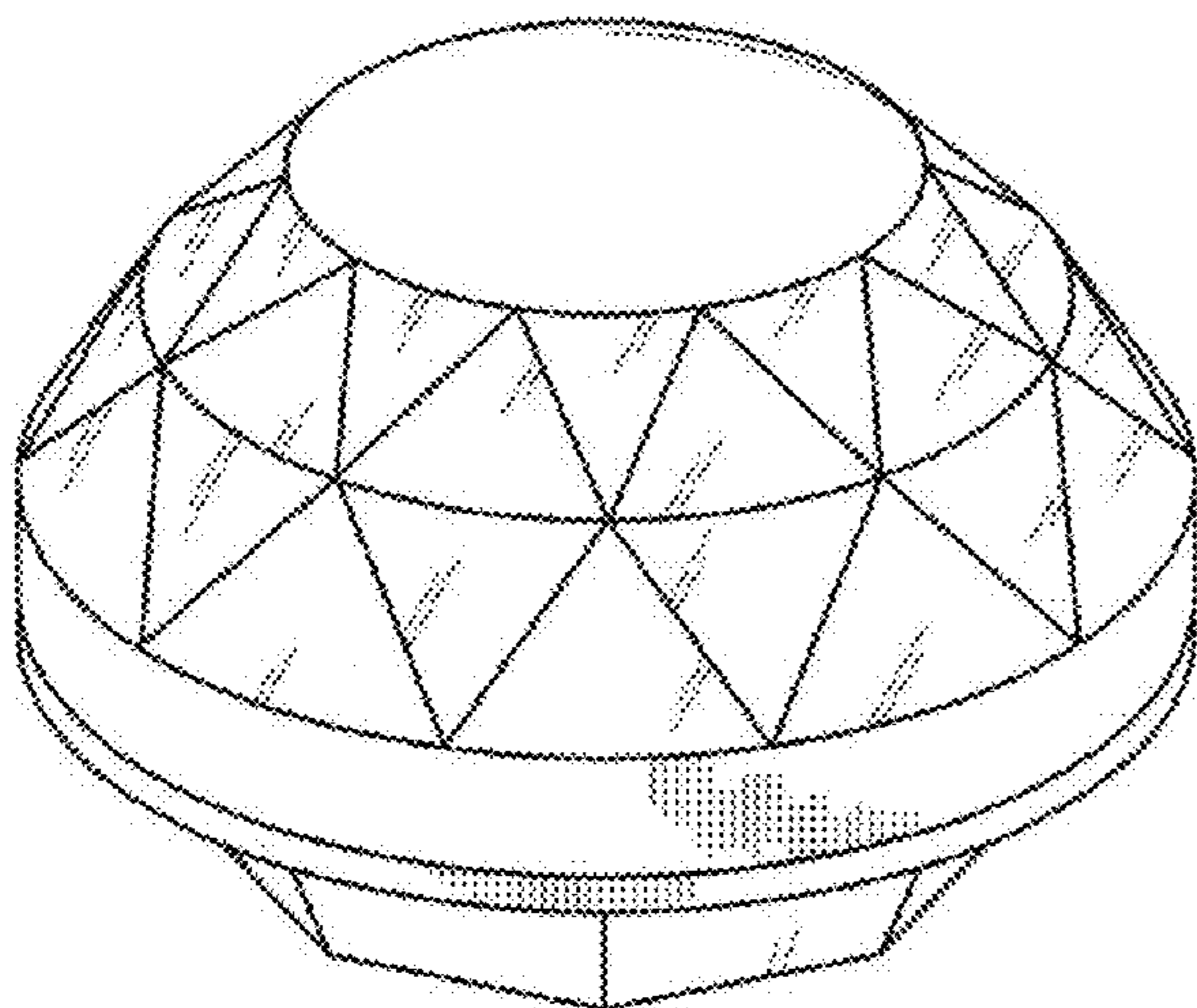
FIG. 5 is a rear elevational view thereof;

FIG. 6 is a right side elevational view thereof; and,

FIG. 7 is a left side elevational view thereof.

The broken lines showing a central portion of the bottom surface are included for the purpose of illustrating environmental structure and forms no part of the claimed design.

1 Claim, 2 Drawing Sheets



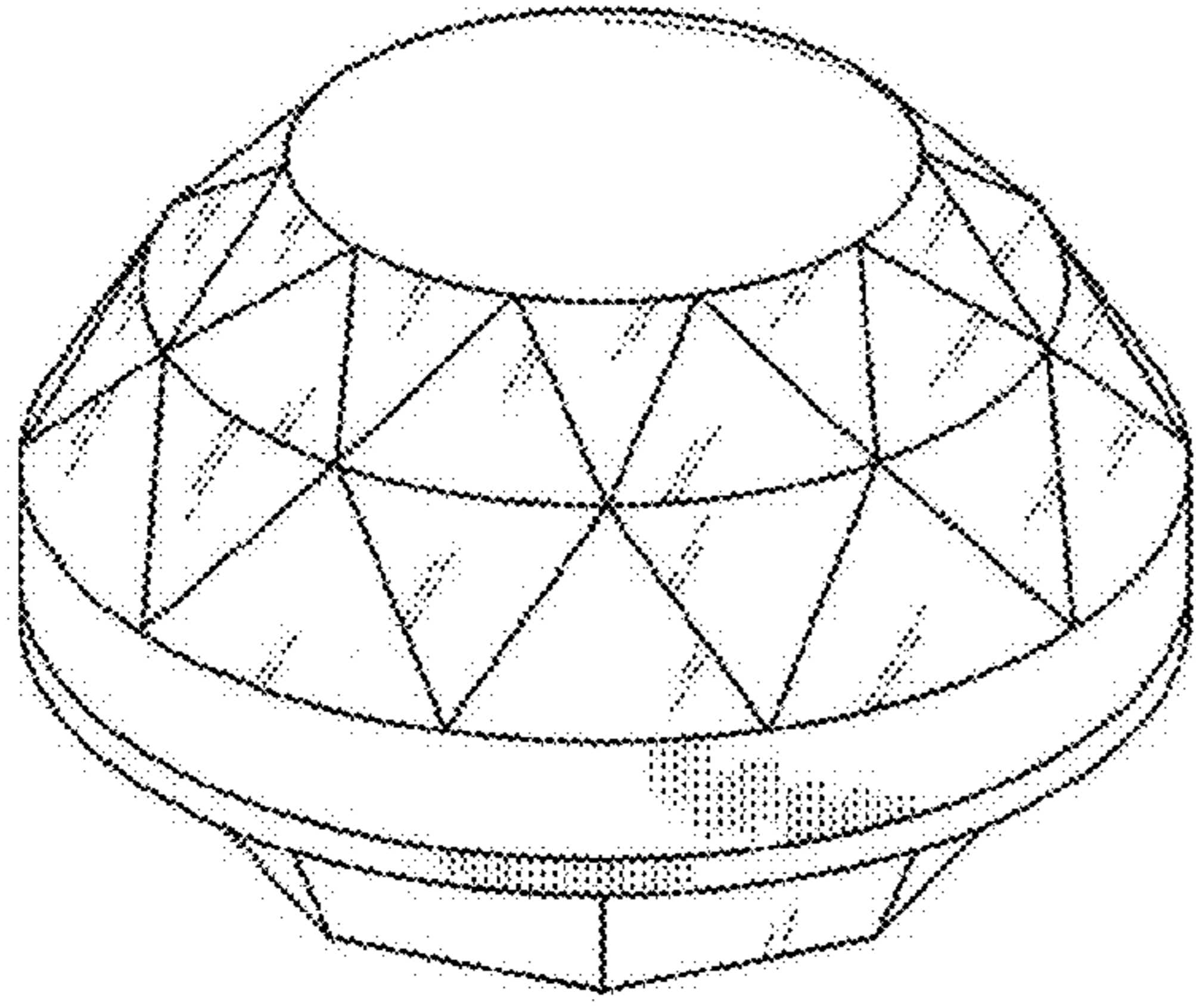


FIG. 1

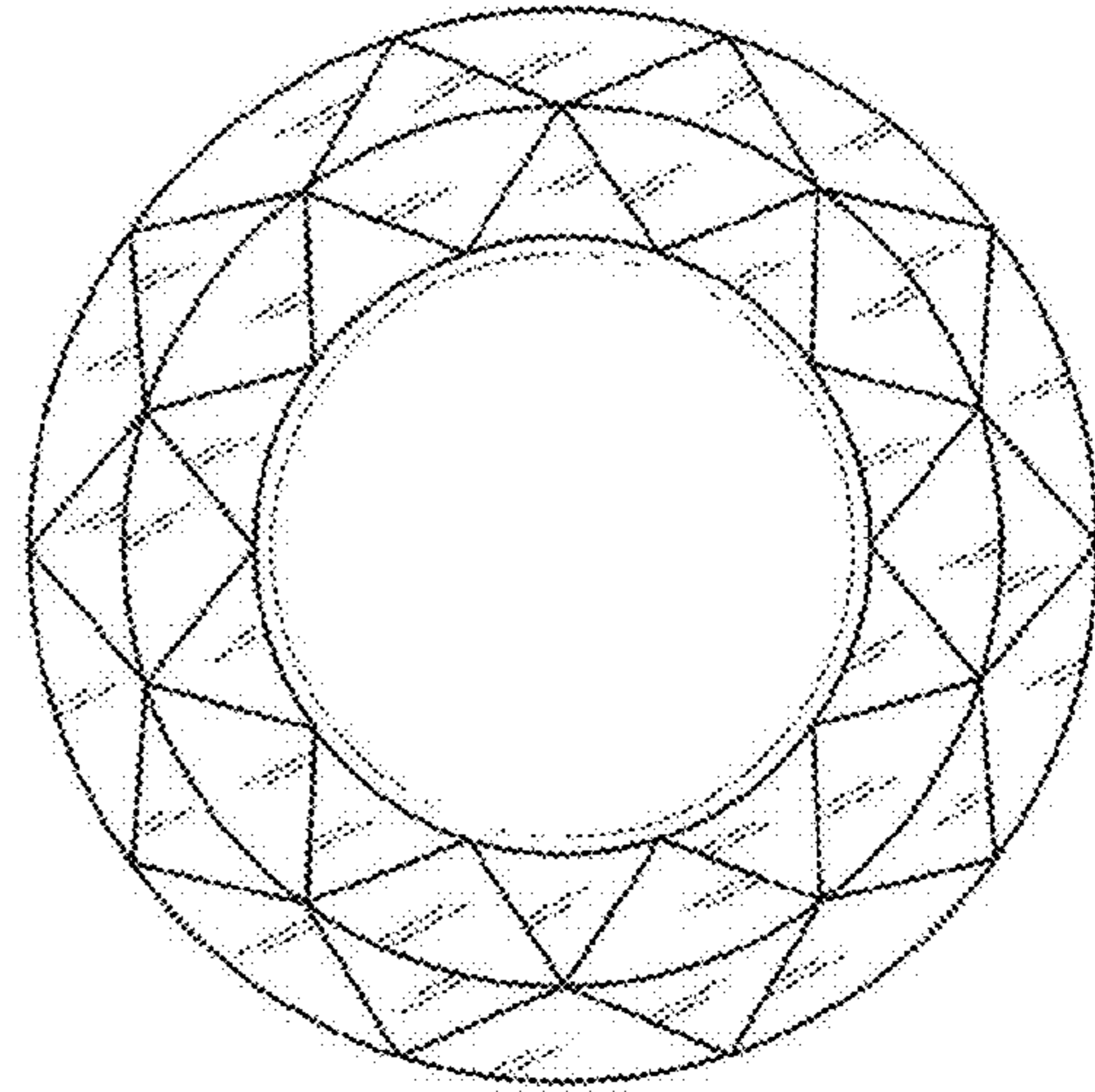


FIG. 2

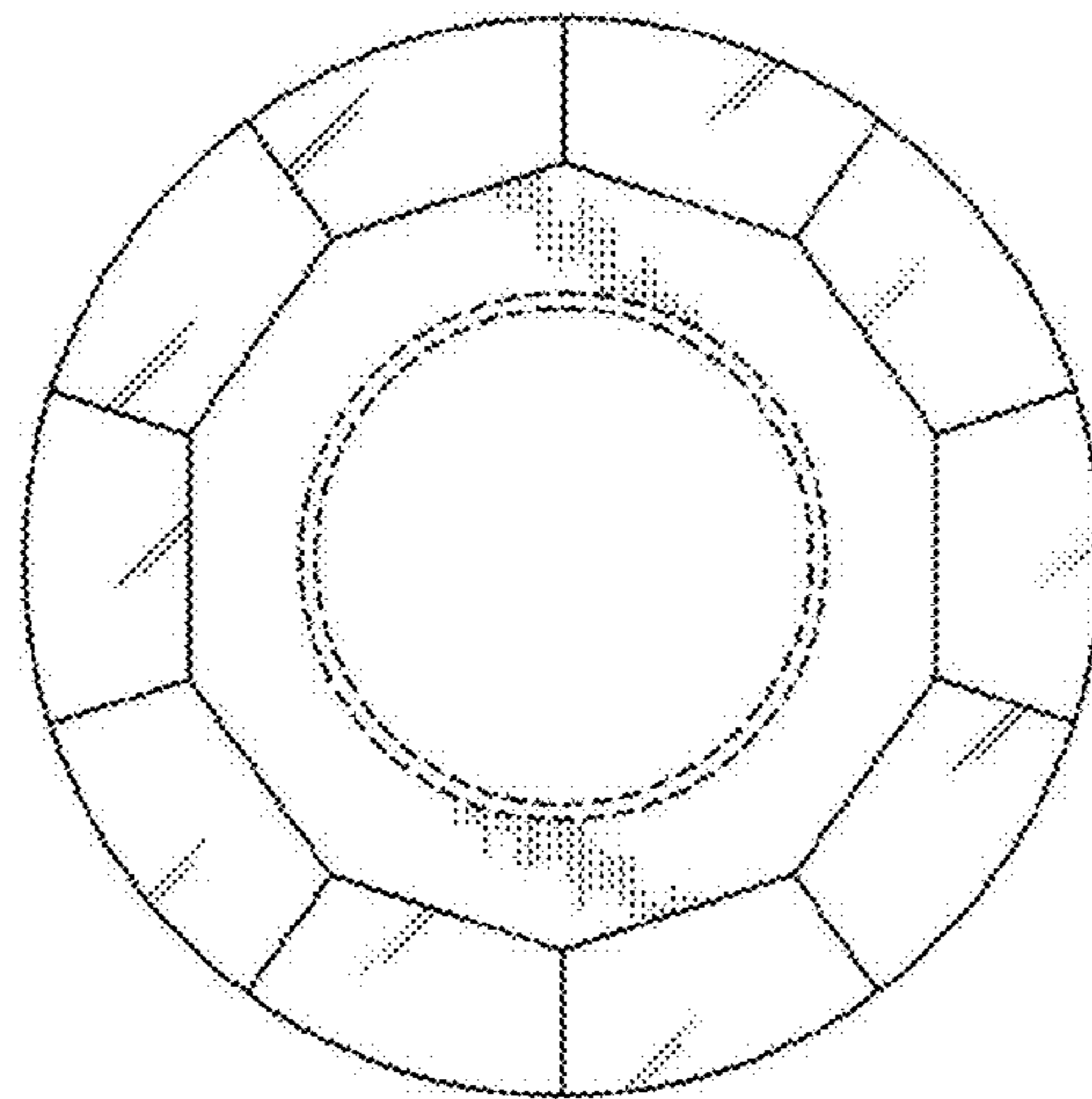


FIG. 3

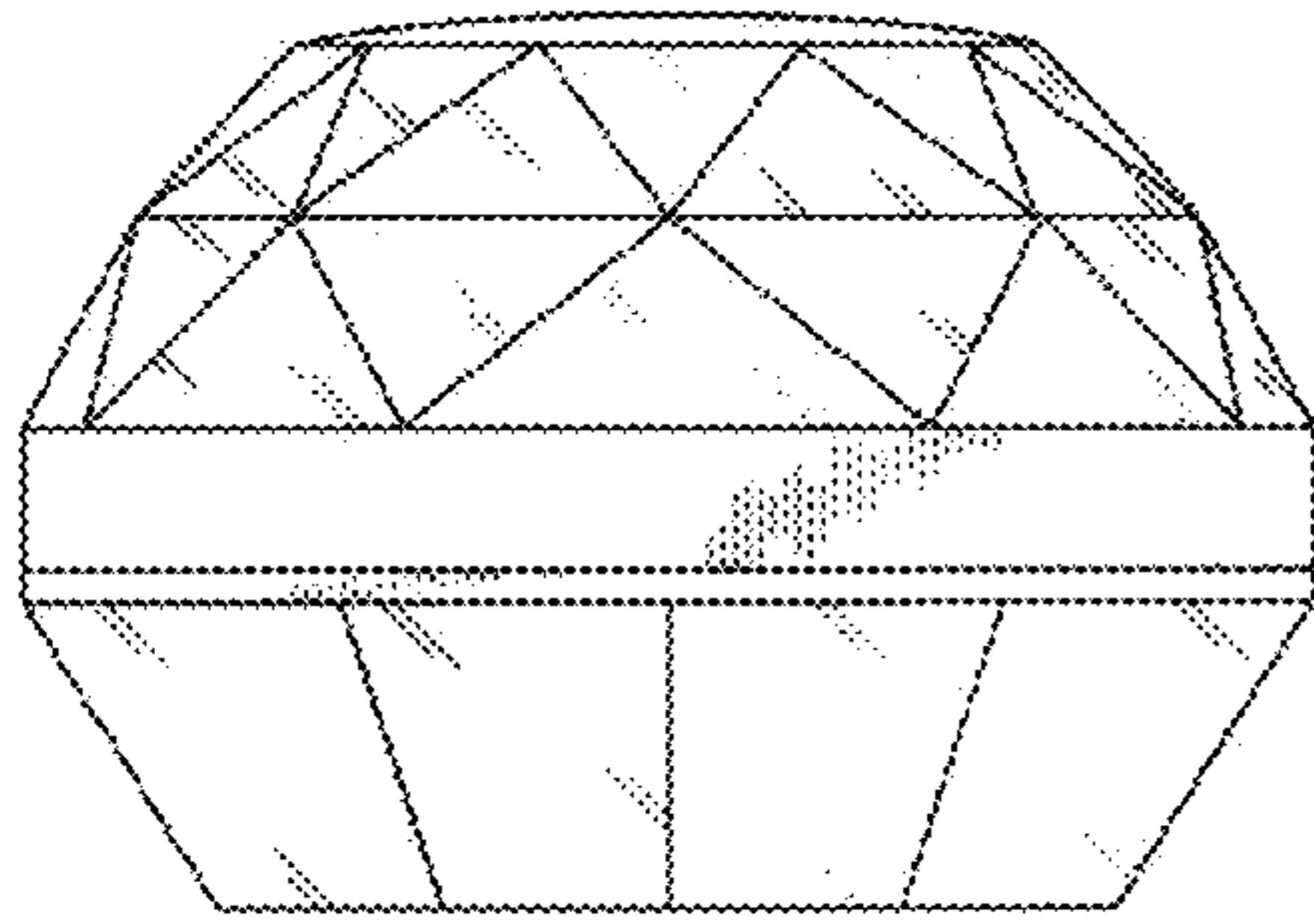


FIG. 4

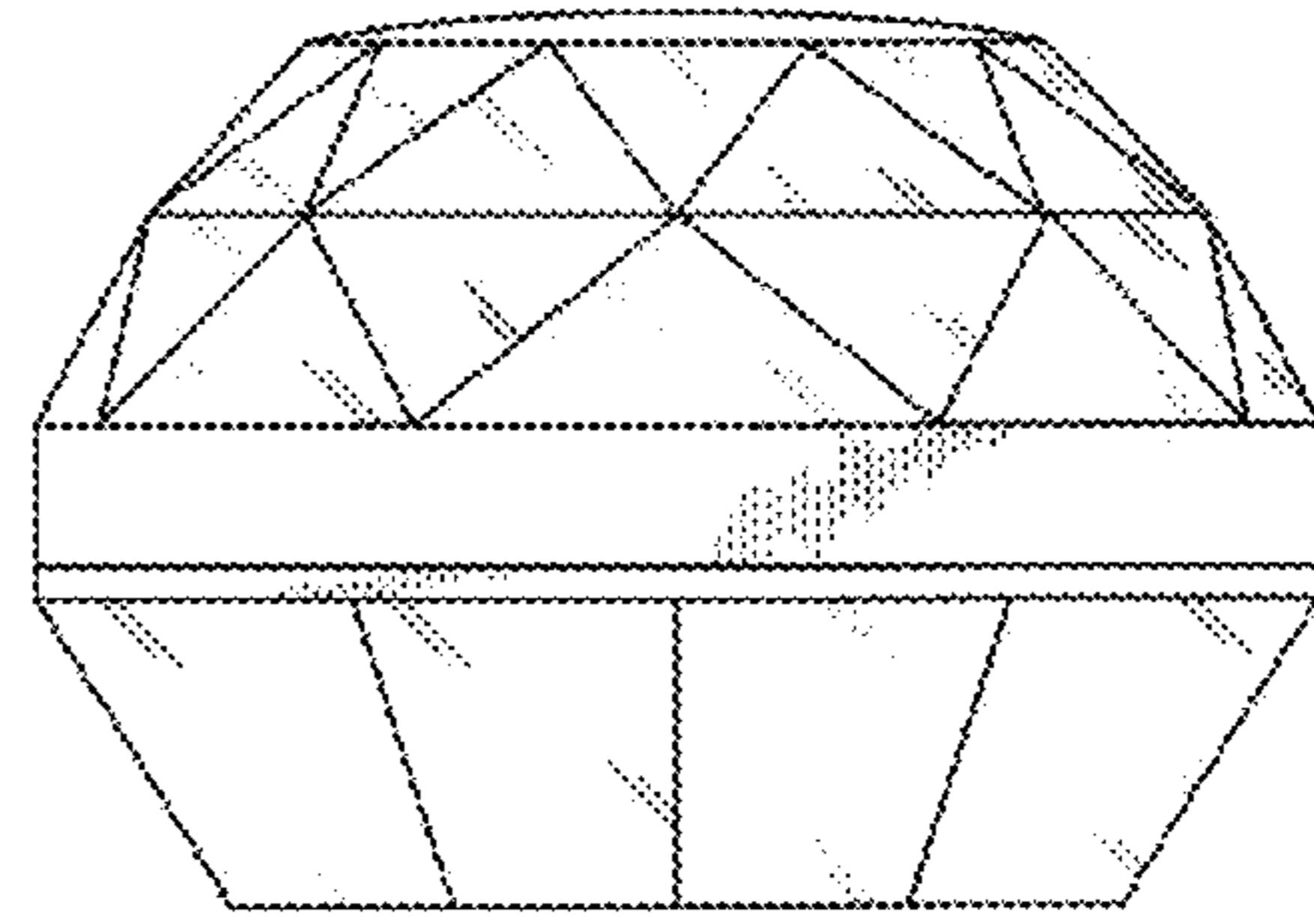


FIG. 5

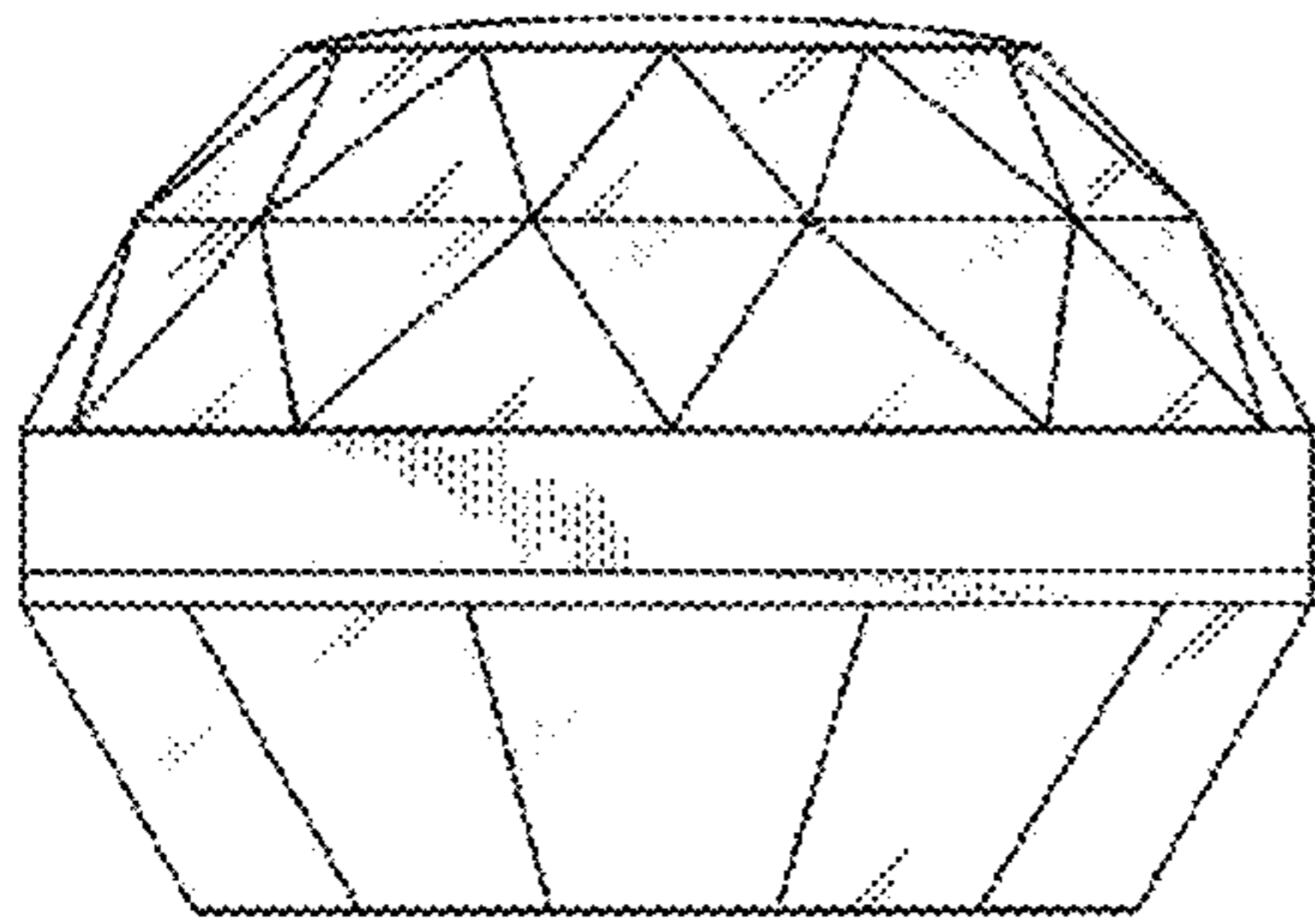


FIG. 6

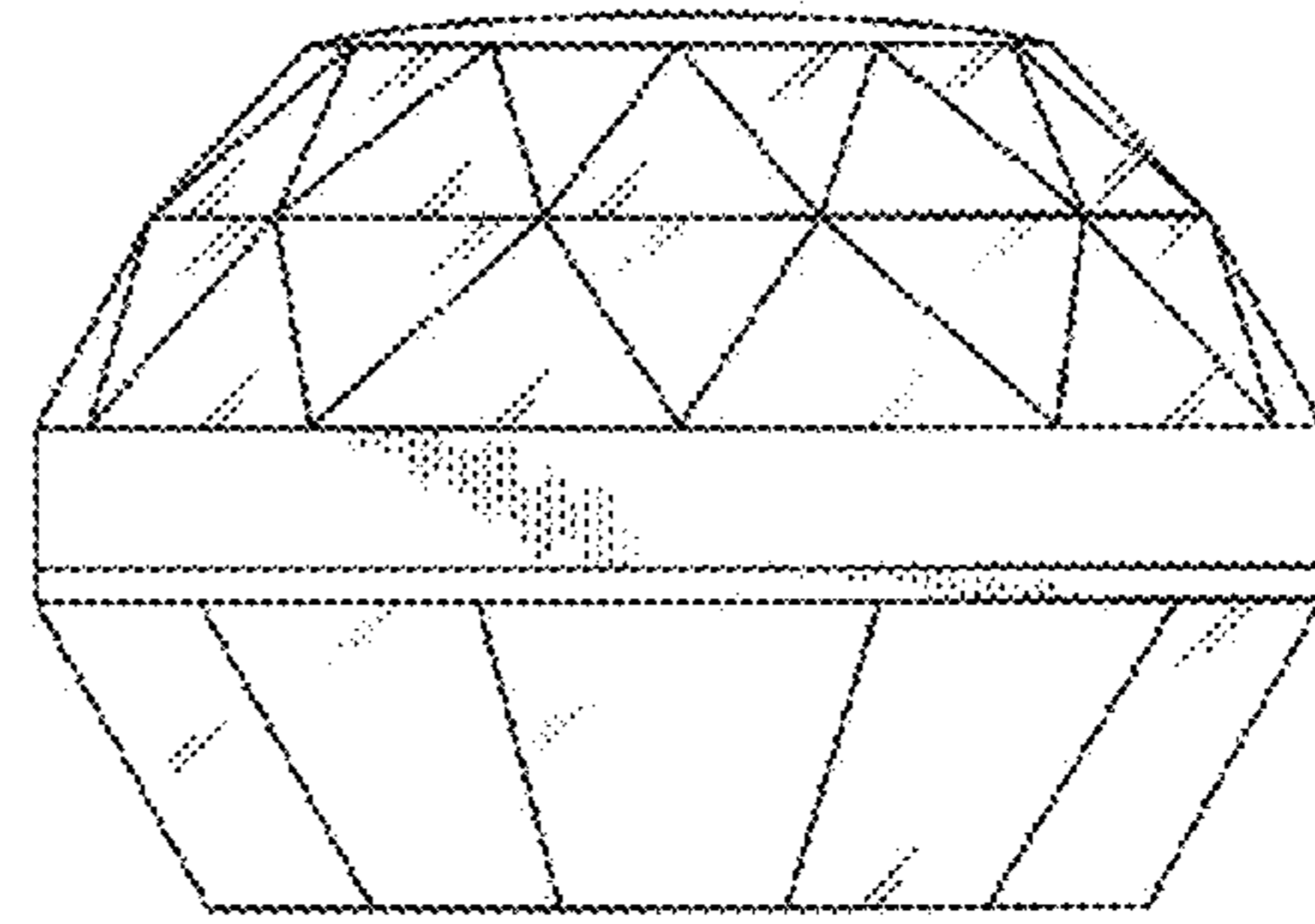


FIG. 7