



US00D733558S

(12) **United States Design Patent**
Wyne

(10) **Patent No.:** **US D733,558 S**

(45) **Date of Patent:** **** Jul. 7, 2015**

(54) **METAL CAN ADAPTER**

(71) Applicant: **Mark W. Wyne**, Chesterfield, MO (US)

(72) Inventor: **Mark W. Wyne**, Chesterfield, MO (US)

(73) Assignee: **Combined Manufacturing, Inc.**,
Wildwood, MO (US)

(**) Term: **14 Years**

(21) Appl. No.: **29/463,703**

(22) Filed: **Feb. 13, 2014**

Related U.S. Application Data

(63) Continuation-in-part of application No. 29/442,096,
filed on Dec. 5, 2012, now Pat. No. Des. 724,699.

(51) **LOC (10) Cl.** **09-07**

(52) **U.S. Cl.**
USPC **D9/436; D9/447**

(58) **Field of Classification Search**
USPC D7/387, 392, 398; D8/352, 397, 399;
D9/434, 435, 436, 440, 443, 445, 447,
D9/448, 452, 453, 454, 499, 772, 773,
D9/775; D23/253; 138/135; 141/290, 291,
141/331, 332, 337, 340, 346, 384
CPC B67C 11/02; B67C 2011/027
See application file for complete search history.

(56) **References Cited**

U.S. PATENT DOCUMENTS

D53,447 S * 6/1919 Kasai D9/772
1,314,156 A 8/1919 Sjogren
D59,485 S * 10/1921 Humphrey D9/763
D78,805 S * 6/1929 Burke D9/453
3,133,566 A 5/1964 Hoss
D288,902 S * 3/1987 Lewis D8/397
4,834,151 A 5/1989 Law
4,979,655 A 12/1990 Gallucci
D315,309 S * 3/1991 Baughman D9/456

5,020,702 A 6/1991 James
D325,428 S * 4/1992 Vitsur D23/259
5,154,213 A 10/1992 Malamas et al.
D338,621 S * 8/1993 Balson D9/434
5,350,091 A 9/1994 Leete et al.
D354,681 S * 1/1995 Nolte D9/434
5,711,355 A 1/1998 Kowalczyk

(Continued)

OTHER PUBLICATIONS

Classic Motoring. Wiper Wheel Box Chrome Nut—Late 8 Sided.
2012 [online], [site visited Feb. 5, 2015]. Available from Internet,
<URL:http://www.classicmotoring.net.au/cmos/index.php?main_
page=product_info&cPath=82&products_id=391>.*

(Continued)

Primary Examiner — Robert M Spear

Assistant Examiner — Darcey E Heflin

(74) *Attorney, Agent, or Firm* — Paul M Denk

(57) **CLAIM**

The ornamental design for a metal can adapter, as shown and
described.

DESCRIPTION

FIG. 1 is an isometric view of the metal can adapter of FIG. 9;
FIG. 2 is a front view, the back view being a mirror image
thereof;

FIG. 3 is a top plan view;

FIG. 4 is a bottom view;

FIG. 5 is an isometric view of the metal can adapter of FIG. 9,
showing the rubber gasket insert removed from the adapter
for clarity of disclosure;

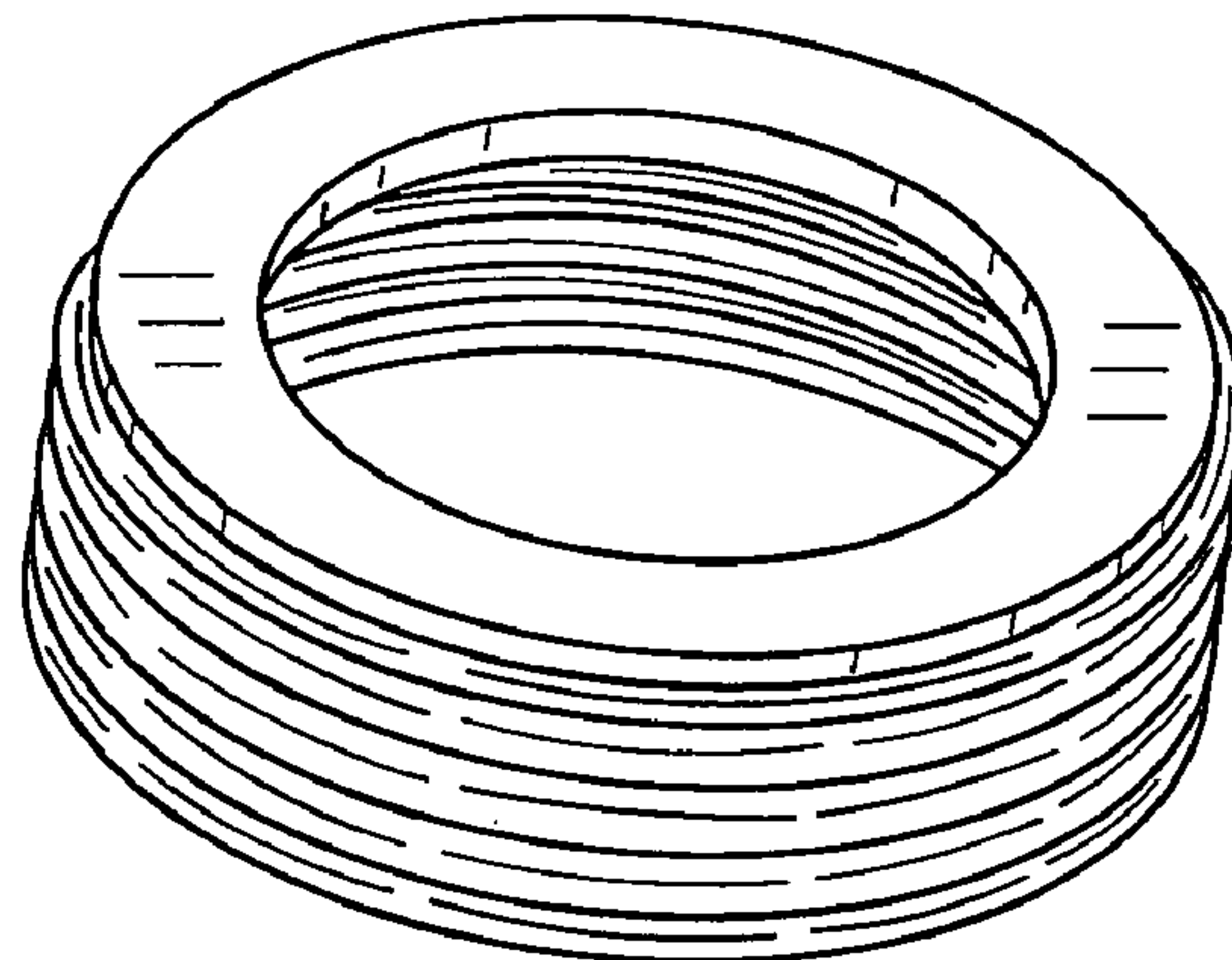
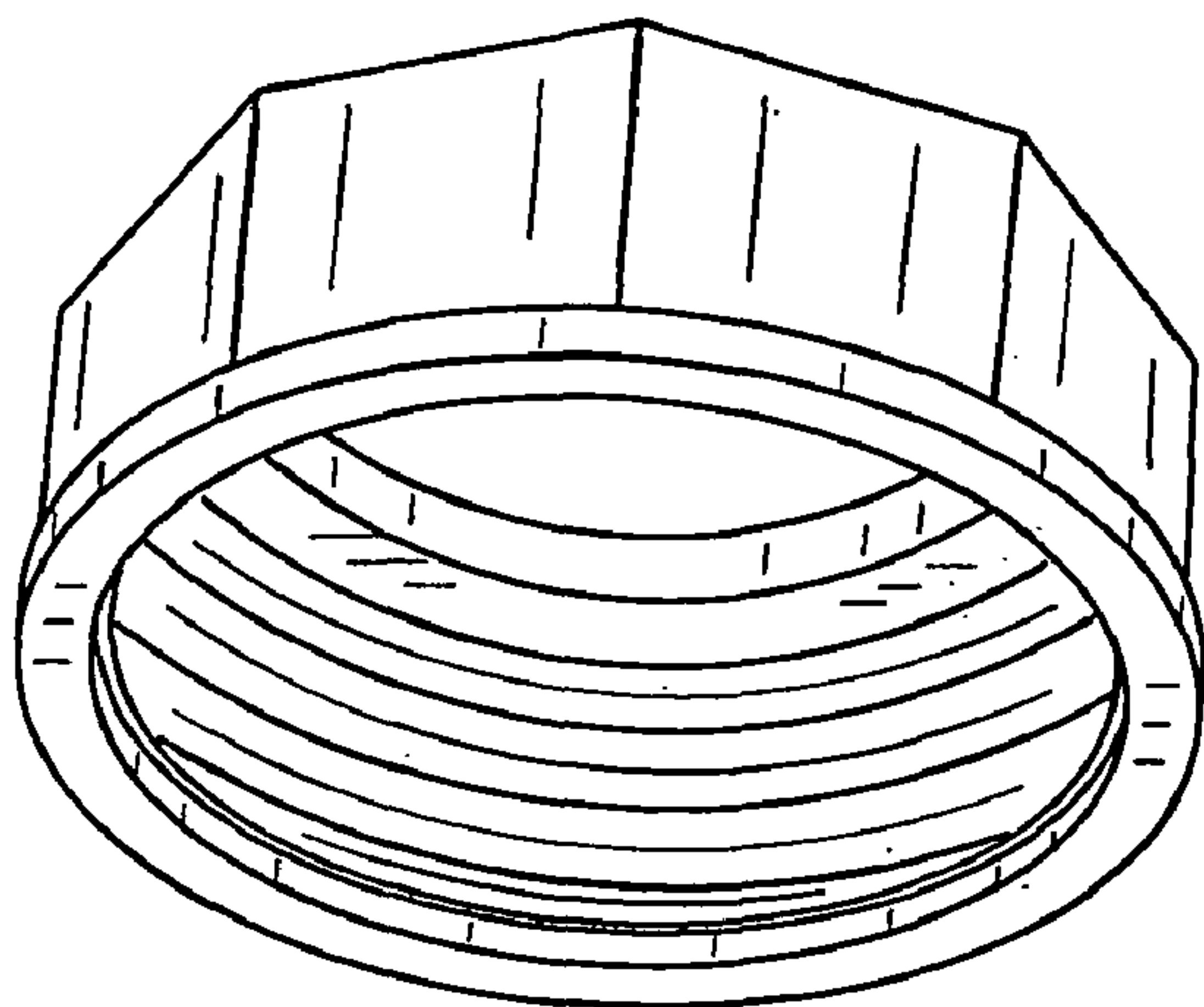
FIG. 6 is a front view, the side views, and the back view being
a mirror image thereof;

FIG. 7 is a top plan view;

FIG. 8 is a bottom view; and,

FIG. 9 is an isometric view of a metal can adapter showing my
new design.

1 Claim, 2 Drawing Sheets



(56)

References Cited

U.S. PATENT DOCUMENTS

5,775,385	A	7/1998	Tackett, Sr.	
D417,847	S *	12/1999	Rush et al.	D9/454
D418,413	S *	1/2000	Stern	D9/434
D424,436	S *	5/2000	Brecheisen et al.	D9/434
6,116,299	A	9/2000	Cummins et al.	
6,223,793	B1	5/2001	Donoughe et al.	
D470,050	S *	2/2003	Renz et al.	D9/434
D646,154	S *	10/2011	Andersson	D8/397
D649,049	S *	11/2011	Fields	D9/435
D659,529	S *	5/2012	Ojanen et al.	D8/399
D667,530	S	9/2012	Wyne	
D679,988	S *	4/2013	Yamazaki	D8/397
D709,368	S *	7/2014	van de Klippe et al.	D9/440
D709,369	S *	7/2014	van de Klippe et al.	D9/440
D713,715	S *	9/2014	Kury	D8/397
D716,653	S *	11/2014	Balembois	D9/435

OTHER PUBLICATIONS

Freshwater Systems. Tominson Gasket for Cooler Faucets. 2015 [online]. [site visited Feb. 5, 2015]. Available from Internet, <URL:<http://www.freshwatersystems.com/p-4389-tomlinson-1903261-gasket-for-cooler-faucets.aspx>>.*

Mill Supply, Inc. Bronze Flanged Hex Nut Bushing. 2015 [online], [site visited Feb. 18, 2015]. Available from Internet, <URL:<https://www.millsupply.com/bronze-flange-hex-nut-9480227a-mtd-3202.php?p=30667>>.*

Spin Fab. Spin Fab BBS RS Half Height Billet Hex Caps Threaded. 2015 [online], [site visited Feb. 28, 2015]. Available from Internet, <URL:<http://spinfab.bigcartel.com/product/bbs-rs-conical-caps>>.*

SpinFab. A few New Designs, One Shown for Now. Oct. 27, 2013 [online], [site visited Feb. 18, 2015]. Available from Internet, <URL:<http://spinfab.net/2013/10/27/a-few-new-designs-one-shown-for-now/>>.*

SpinFab. 2014 Hex Cap Line Rendered. Feb. 27, 2014 [online], [site visited Feb. 18, 2015]. Available from Internet, <URL:<http://spinfab.net/2014/02/17/new-hex-lineup/2014-hex-cap-line-rendered/>>.*

* cited by examiner

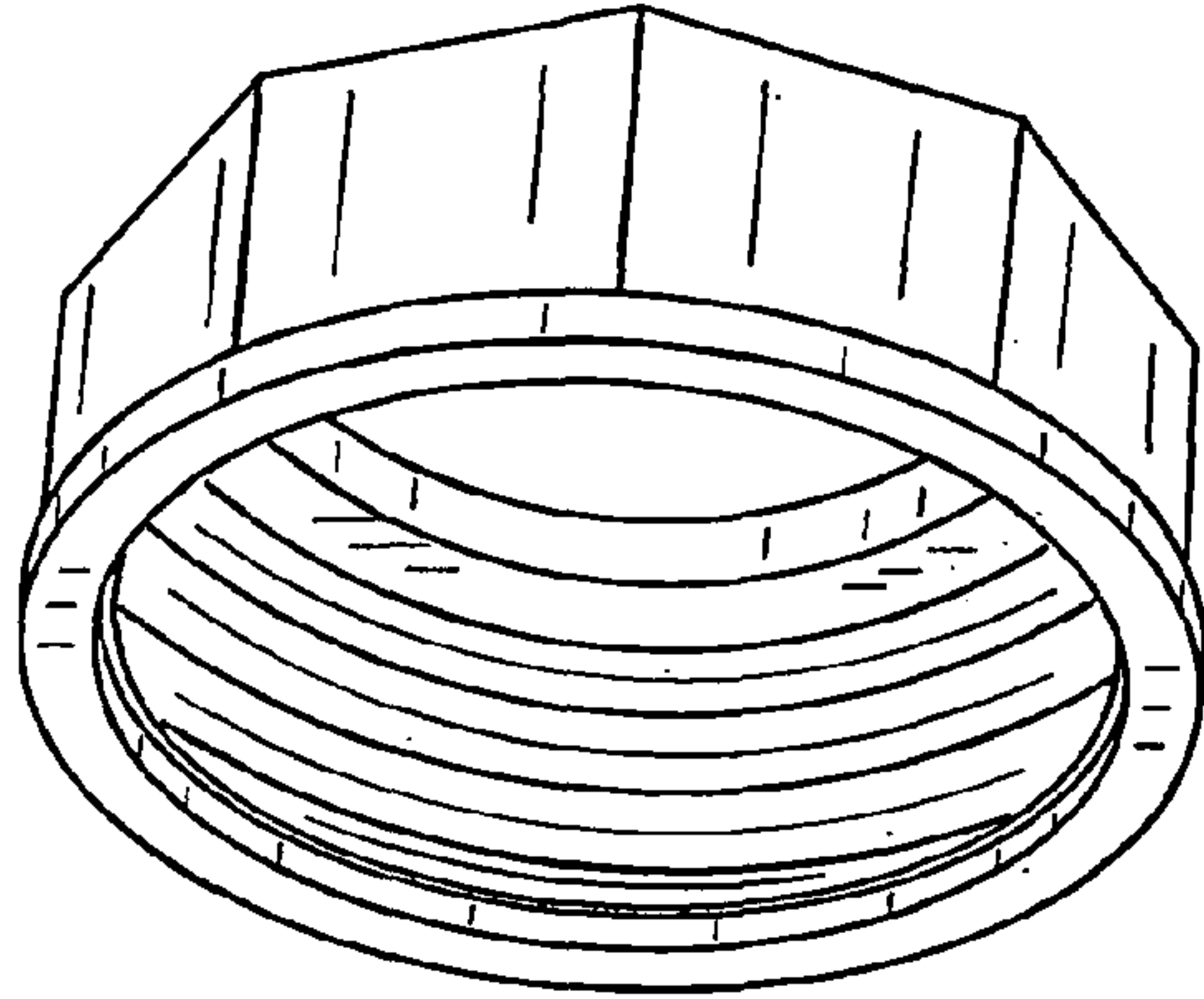


FIG. 1

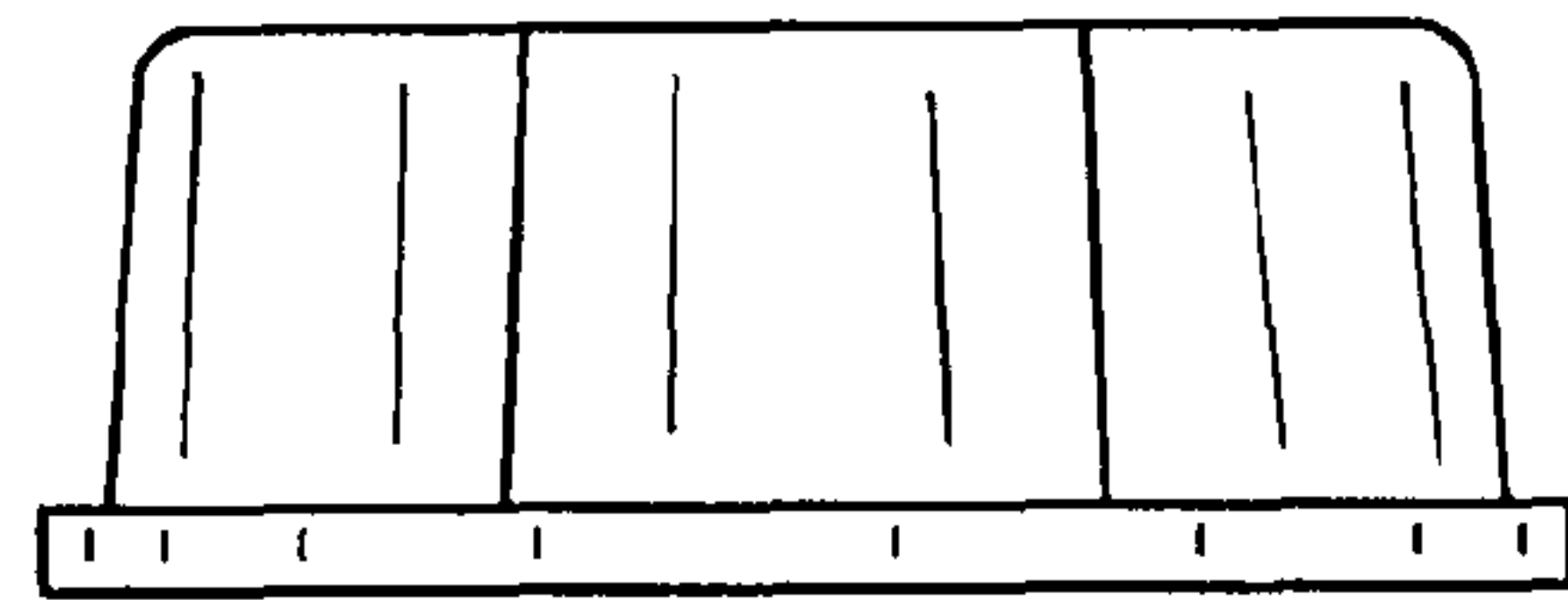


FIG. 2

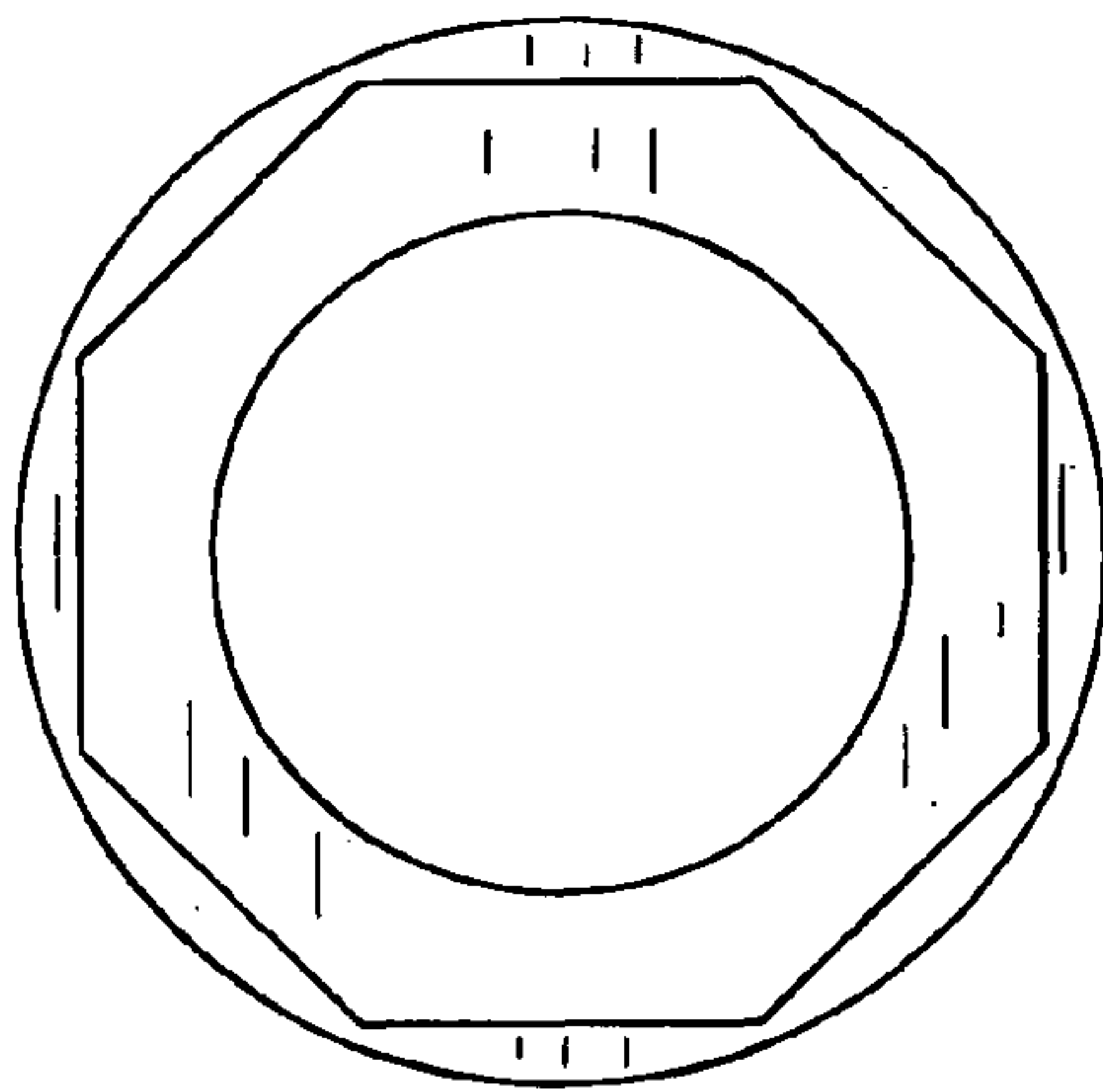


FIG. 3

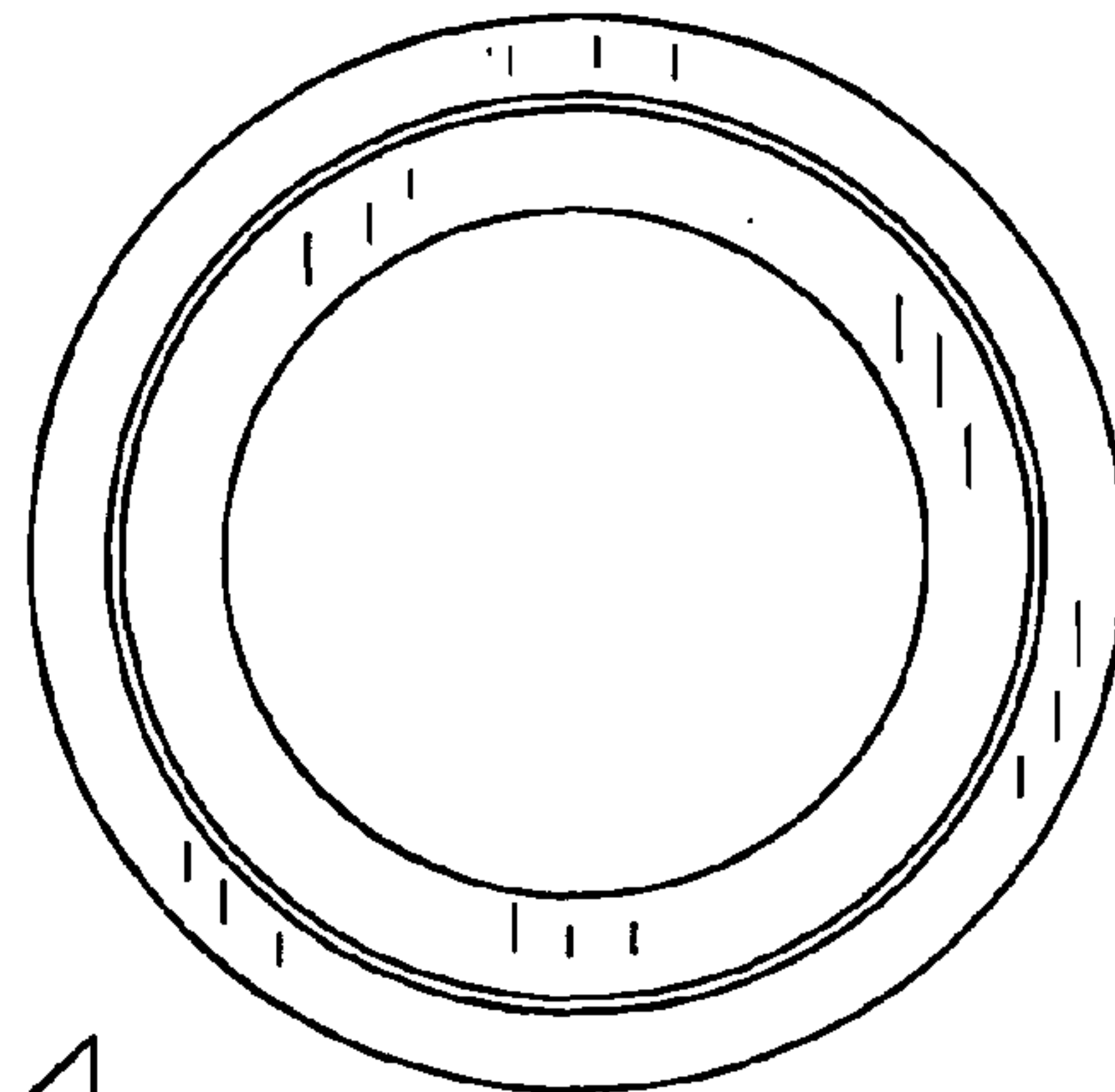


FIG. 4

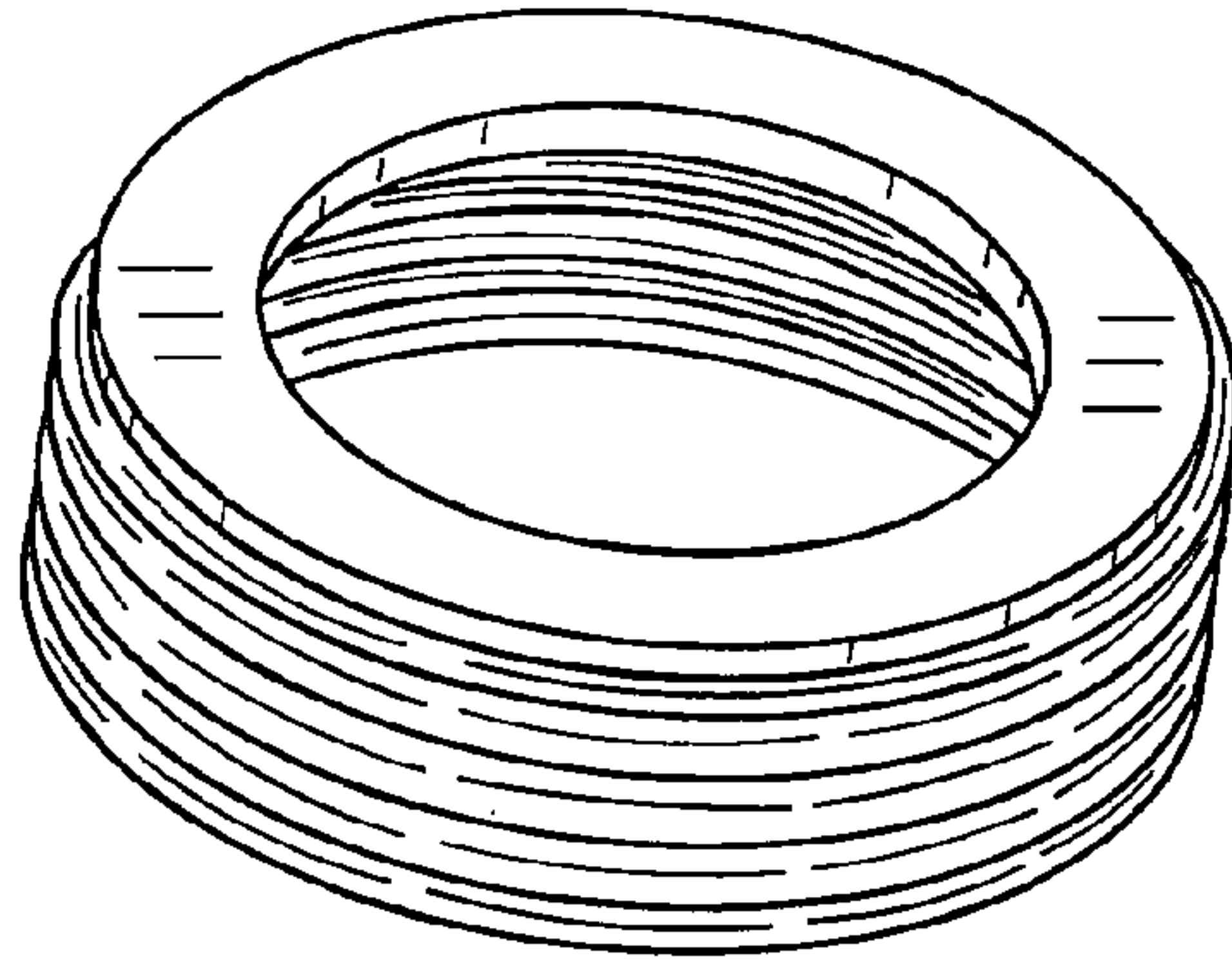


FIG. 5

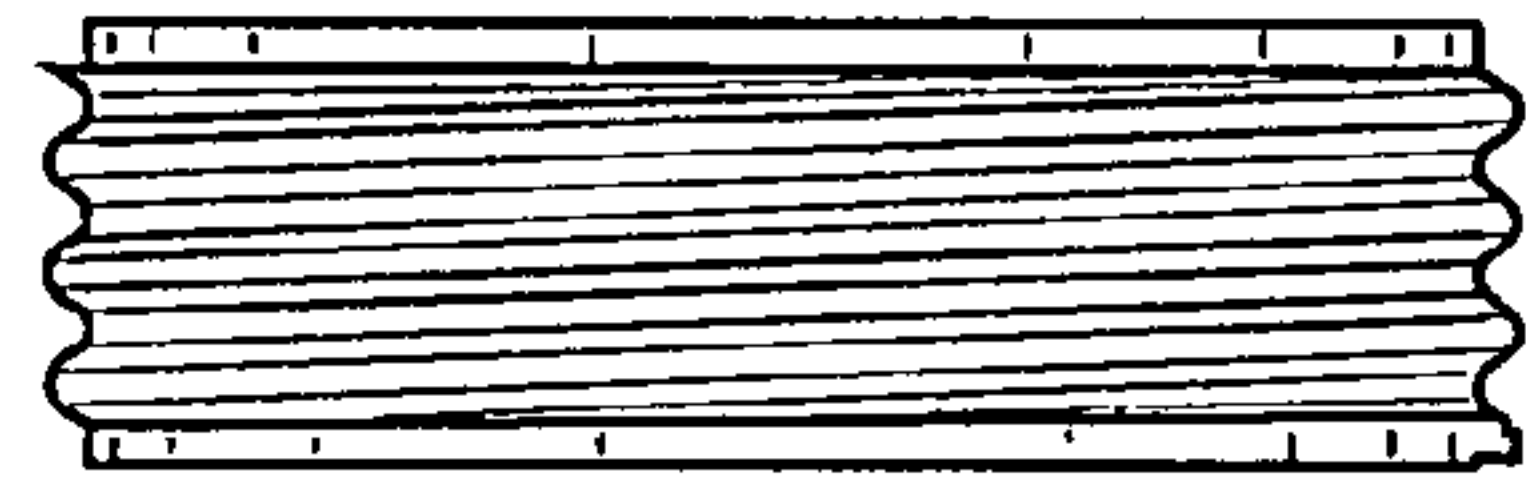


FIG. 6

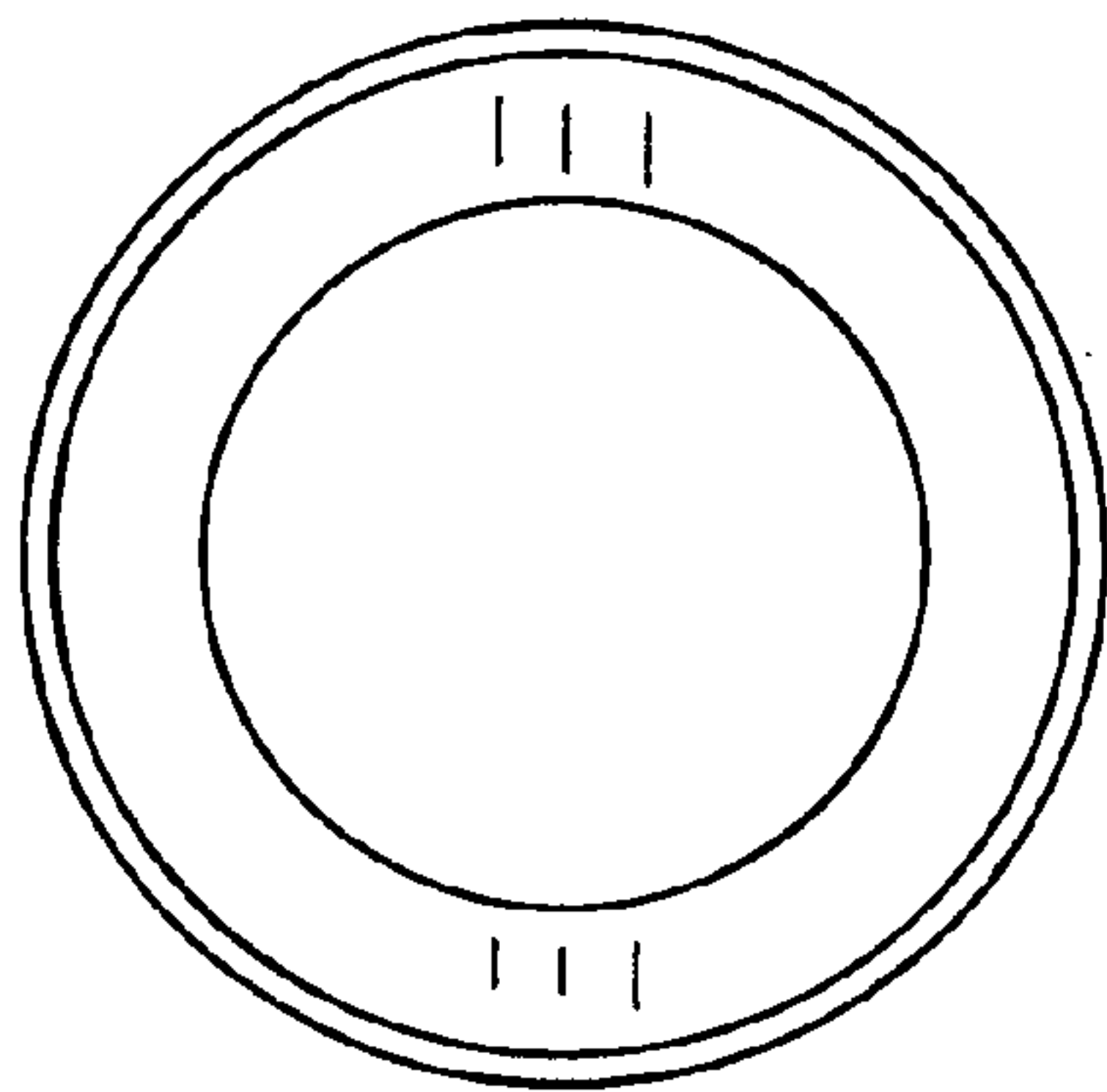


FIG. 7

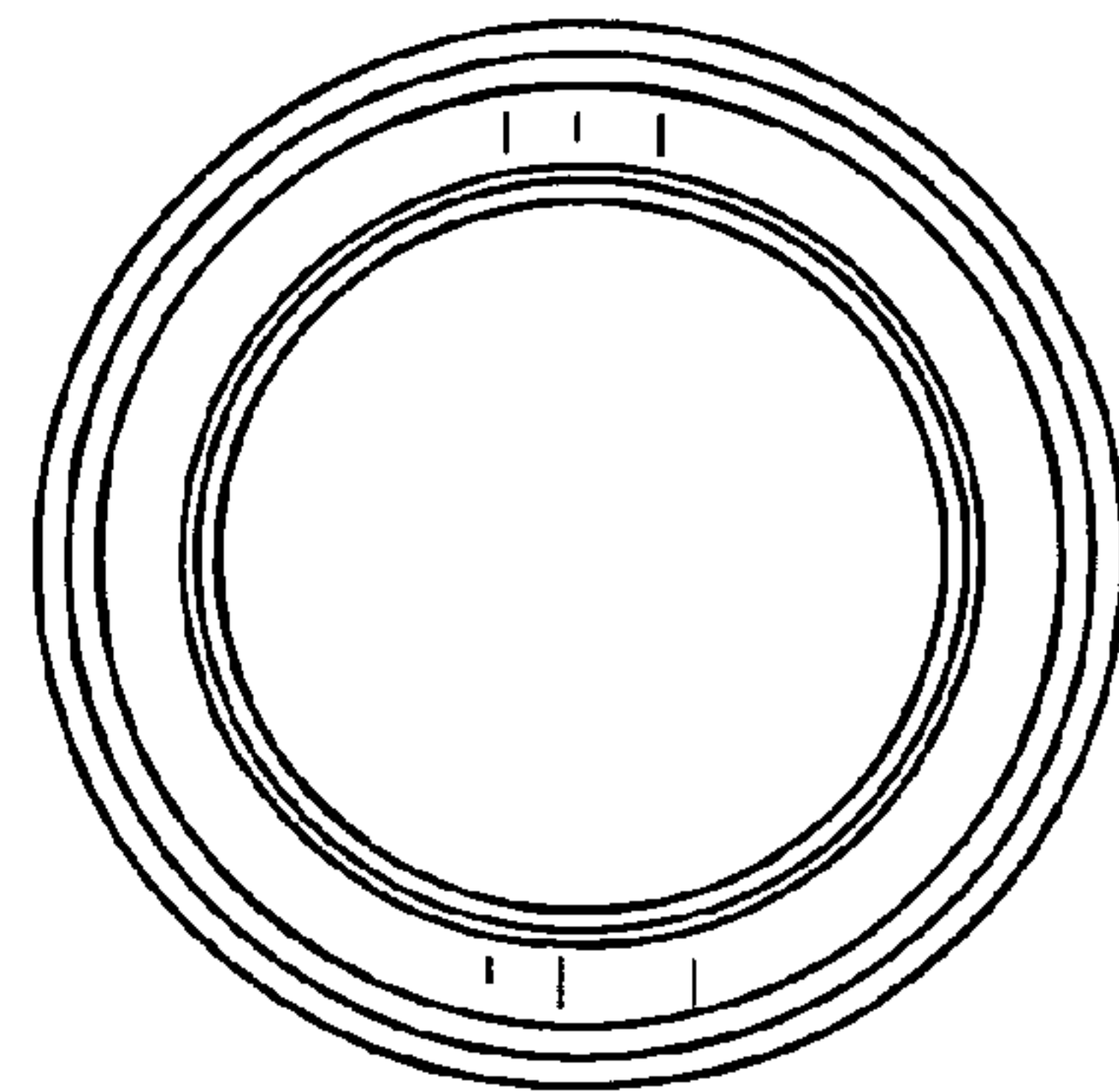


FIG. 8

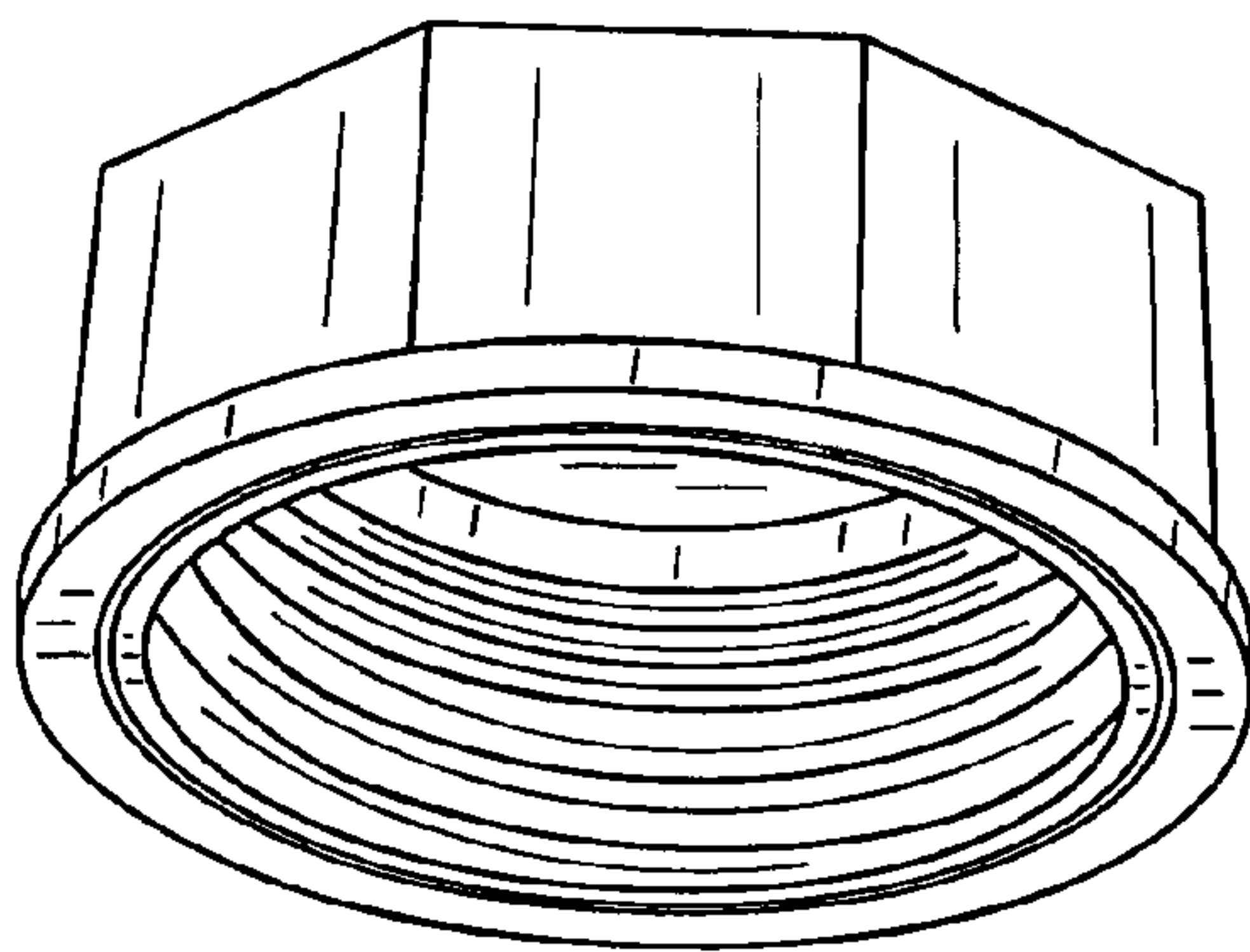


FIG. 9