



US00D733556S

(12) **United States Design Patent**
De Pietri Tonelli et al.

(10) **Patent No.:** **US D733,556 S**
(45) **Date of Patent:** **** Jul. 7, 2015**

(54) **PACKAGING CONTAINER**

FOREIGN PATENT DOCUMENTS

(71) Applicant: **TETRA LAVAL HOLDINGS & FINANCE S.A.**, Pully (CH)

EM 000498670-0007 5/2006
EM 000534128-0001 12/2006

(Continued)

(72) Inventors: **Roberto De Pietri Tonelli**, Colombaro di Formigine (IT); **Marcello Barbieri**, Modena (IT); **Marco Marchetti**, Carpi (IT); **Davide Morciano**, Modena (IT); **Stefano Costa**, Casalmaggiore (IT); **Per Lagerroth**, Eslöv (SE)

OTHER PUBLICATIONS

Tetra Prisma Aseptic. [online] Retrieved Sep. 18, 2014 from URL: <<http://productexplorer.tetrapak.com/en/package-type/tetra-prisma-aseptic>>.*

(Continued)

(73) Assignee: **TETRA LAVAL HOLDINGS & FINANCE S.A.**, Pully (CH)

Primary Examiner — Susan Bennett Hattan
Assistant Examiner — Vy Koenig

(**) Term: **14 Years**

(74) *Attorney, Agent, or Firm* — Buchanan Ingersoll & Rooney PC

(21) Appl. No.: **29/476,294**

(57) **CLAIM**

(22) Filed: **Dec. 12, 2013**

The ornamental design for a packaging container, as shown and described.

(30) **Foreign Application Priority Data**

DESCRIPTION

Jul. 26, 2013 (EP) 002282137

(51) **LOC (10) Cl.** **09-03**

(52) **U.S. Cl.**
USPC **D9/431**

(58) **Field of Classification Search**
USPC D9/414-433, 444-445, 456, 711, 715, D9/718, 748; D7/601, 602, 538, 540, D7/550.1; D3/203.5, 202, 207, 210; D4/116

CPC B65D 5/00; B65D 5/0015; B65D 5/0045; B65D 5/18; B65D 5/40; B65D 5/2033; B65D 1/22; B65D 1/225; B65D 1/24; B65D 1/34; B65D 1/38

See application file for complete search history.

FIG. 1 is a front, left perspective view of a packaging container showing a first embodiment of our new design.
FIG. 2 is a left side elevational view thereof, the other side being a mirror image.
FIG. 3 is a front elevational view thereof.
FIG. 4 is a top plan view thereof.
FIG. 5 is a front, left perspective view of a packaging container showing a second embodiment of our new design.
FIG. 6 is a left side elevational view thereof, the other side being a mirror image.
FIG. 7 is a front elevational view thereof.
FIG. 8 is a top plan view thereof.
FIG. 9 is a front, left perspective view of a packaging container showing a third embodiment of our new design.
FIG. 10 is a left side elevational view thereof, the other side being a mirror image.
FIG. 11 is a front elevational view thereof; and,
FIG. 12 is a top plan view thereof.
The broken lines shown in the drawings depict environmental features that form no part of the claimed design.

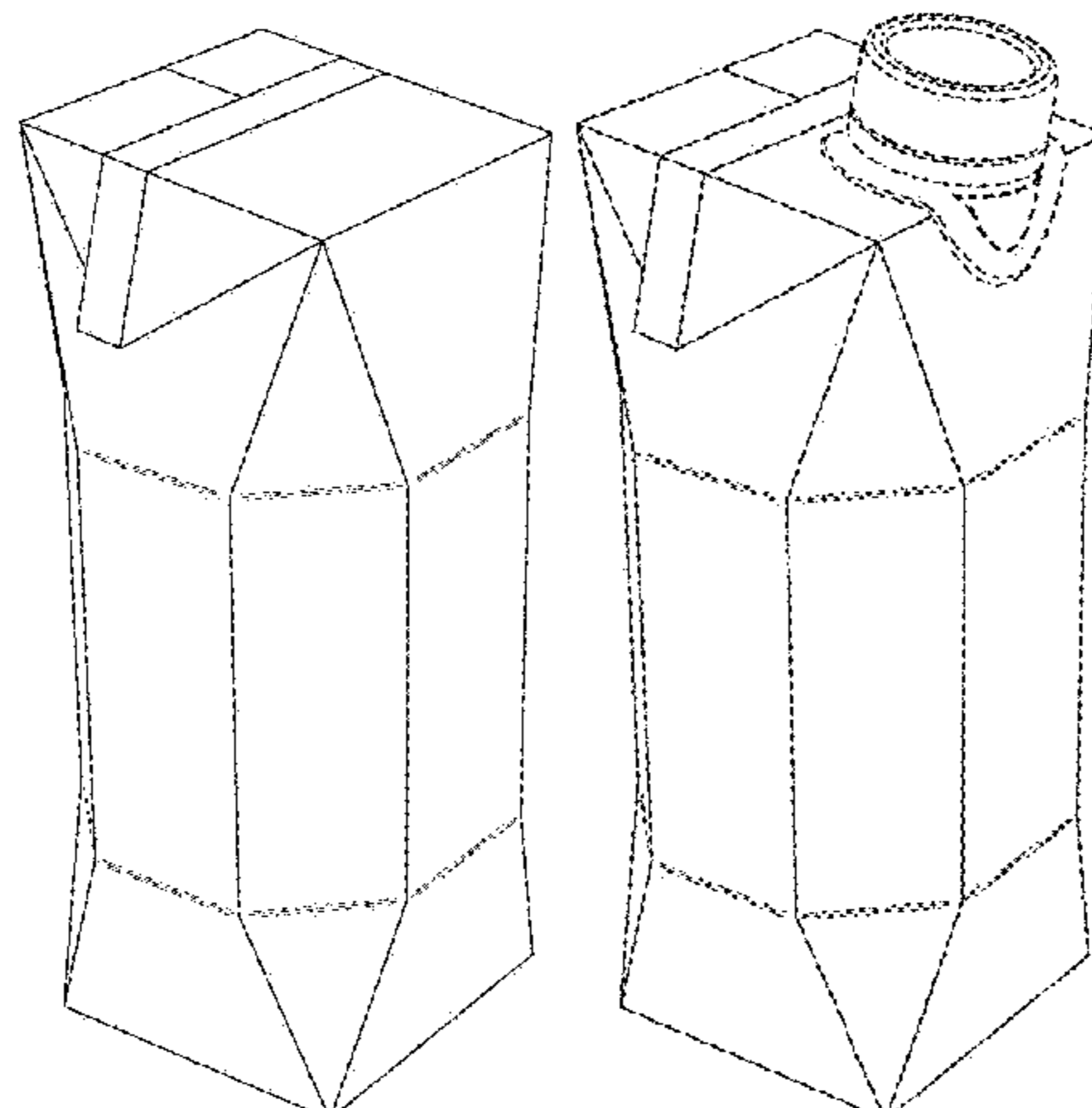
(56) **References Cited**

U.S. PATENT DOCUMENTS

5,938,107 A * 8/1999 Anchor et al. 229/109
D420,907 S * 2/2000 Stacy-Ryan et al. D9/417

(Continued)

1 Claim, 12 Drawing Sheets



(56)

References Cited

U.S. PATENT DOCUMENTS

D424,429 S * 5/2000 Anchor et al. D9/417
D464,566 S * 10/2002 Anchor et al. D9/432
D473,464 S * 4/2003 Anchor et al. D9/432
D494,861 S * 8/2004 Guidotti et al. D9/431
D634,625 S * 3/2011 Wallace et al. D9/433
D691,882 S * 10/2013 Barbieri et al. D9/430
D702,117 S * 4/2014 Dagnino D9/417
2011/0192118 A1* 8/2011 Kaneko 53/458

FOREIGN PATENT DOCUMENTS

JP 136108 9/1967
JP 1471494 12/2010

OTHER PUBLICATIONS

International Designs Bulletin, p. 80, Figs. 1.1-1.5, 2.1-2.2, Jan. 1997.

* cited by examiner

FIG. 1

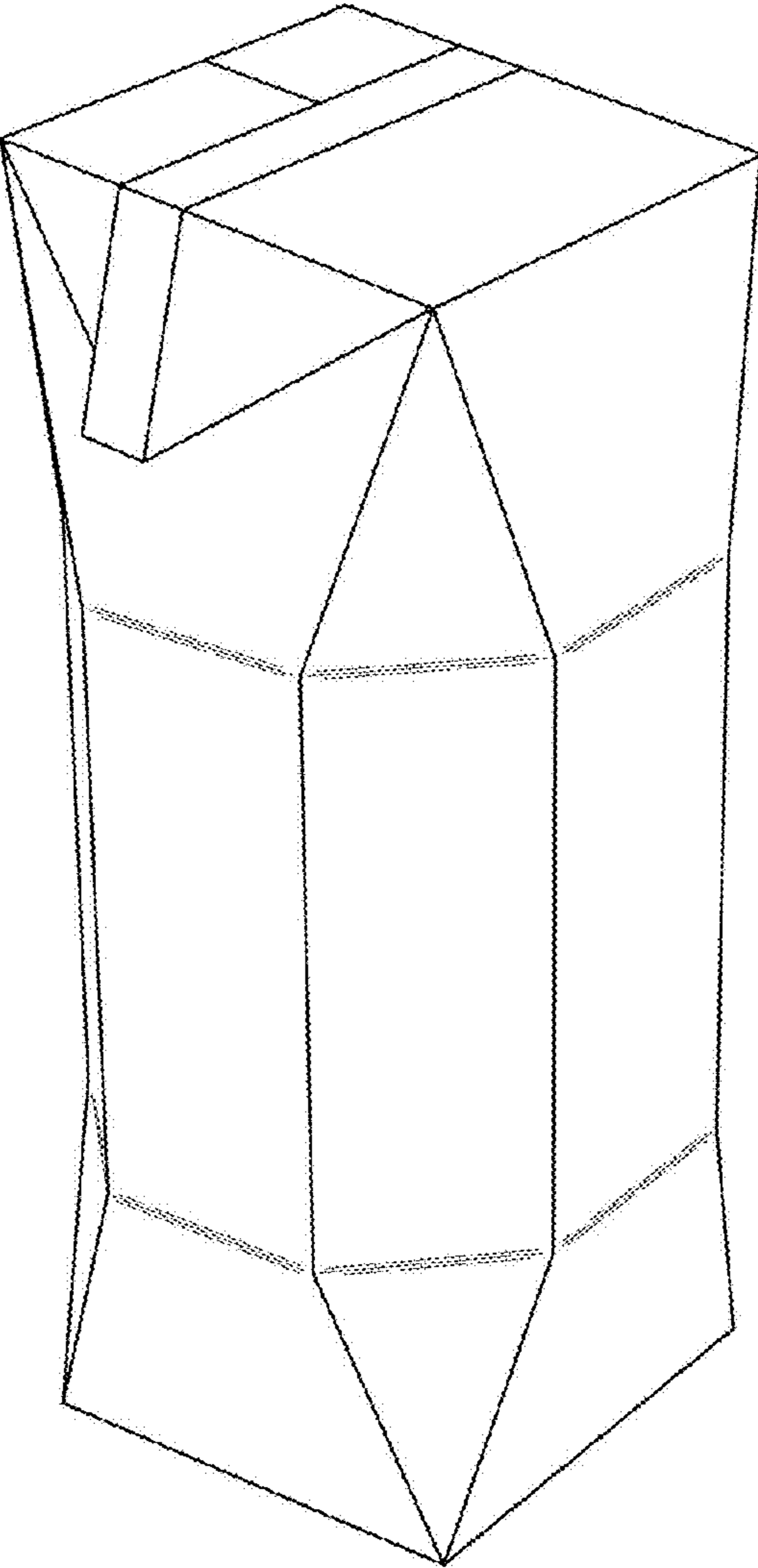


FIG. 2

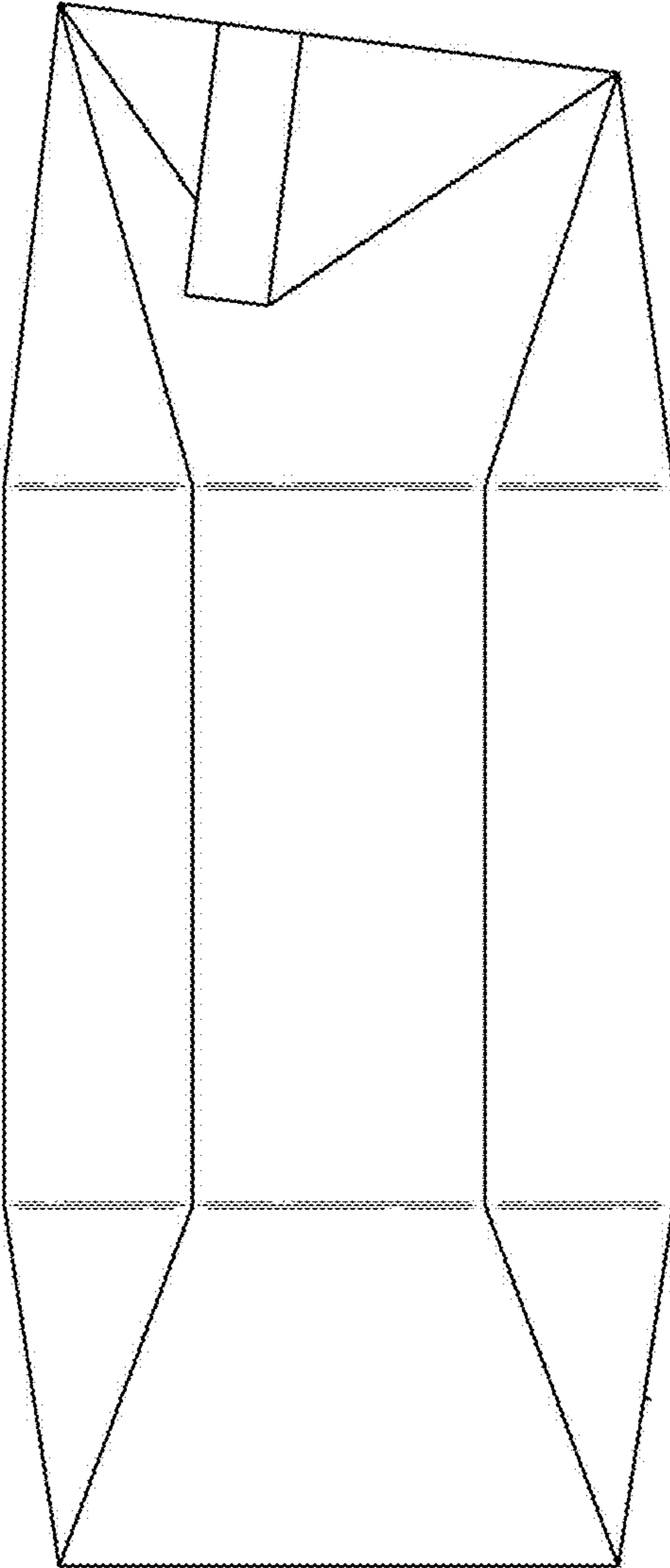


FIG. 3

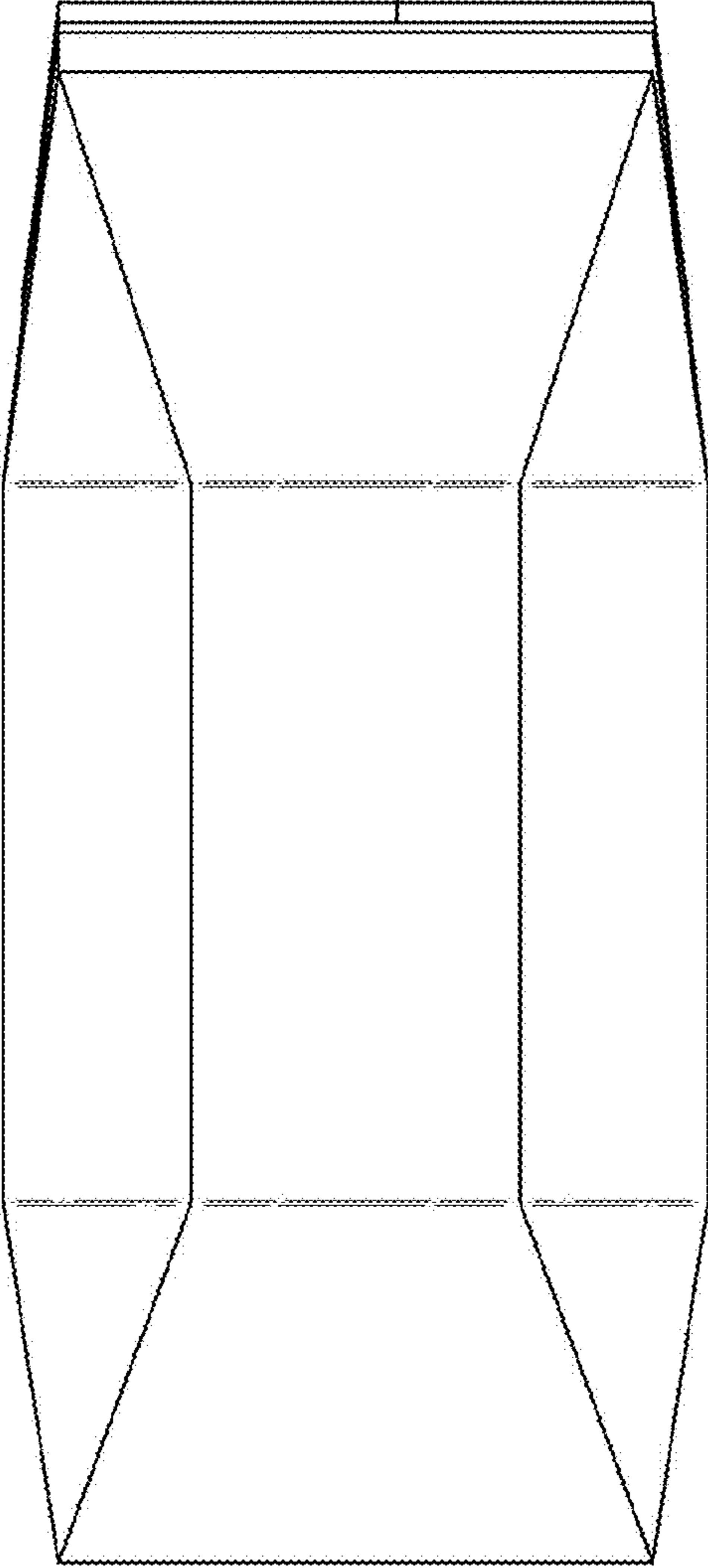


FIG. 4

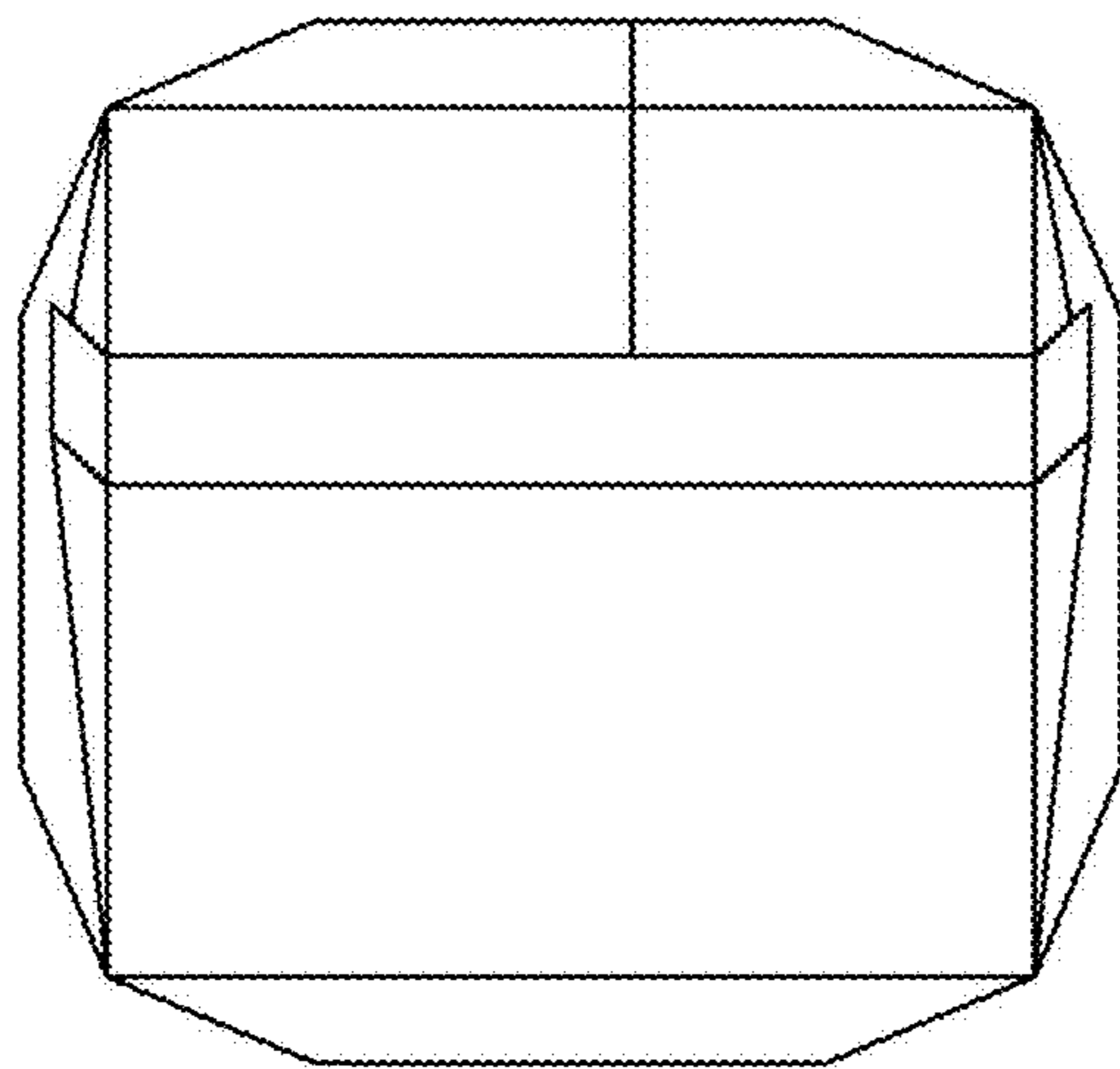


FIG. 5

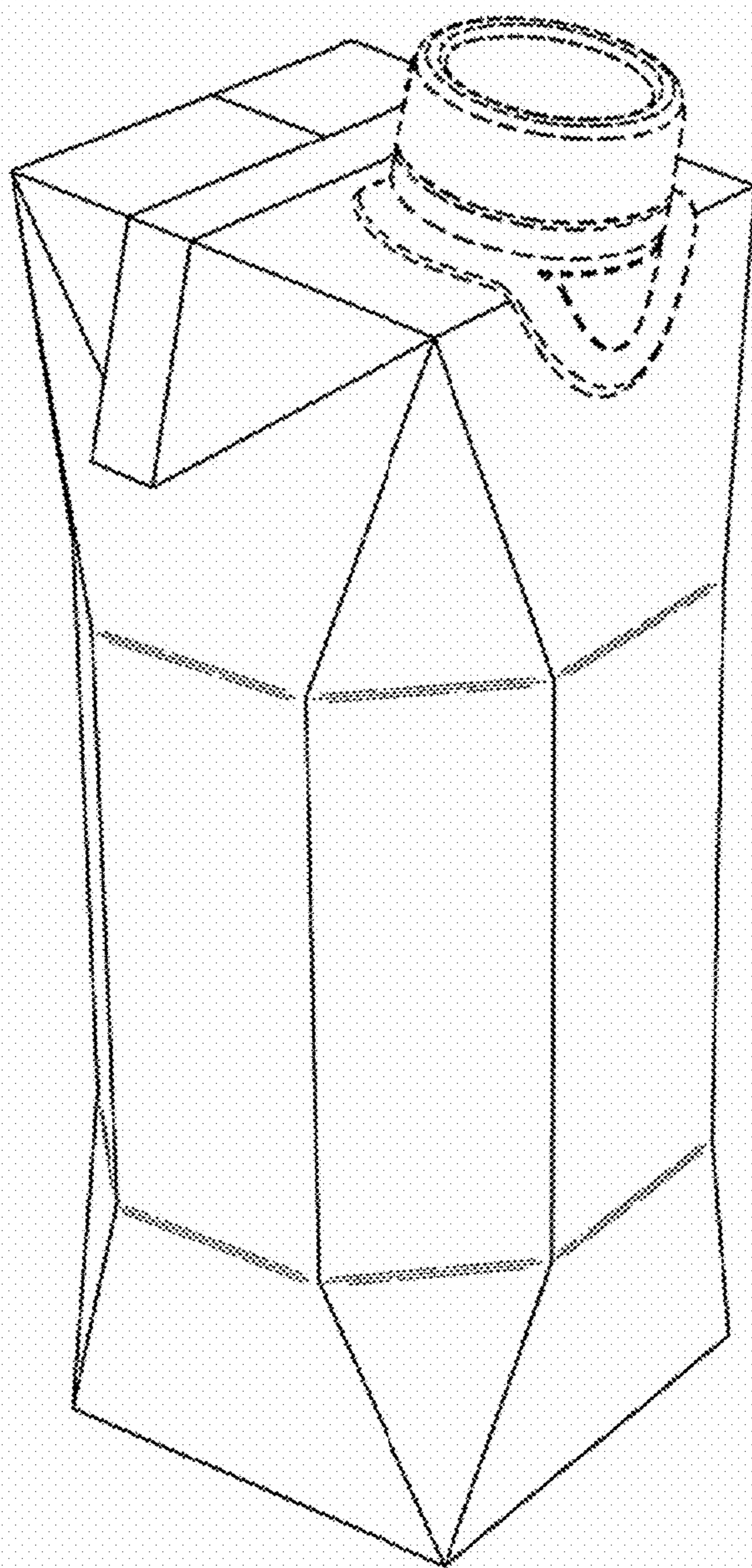


FIG. 6

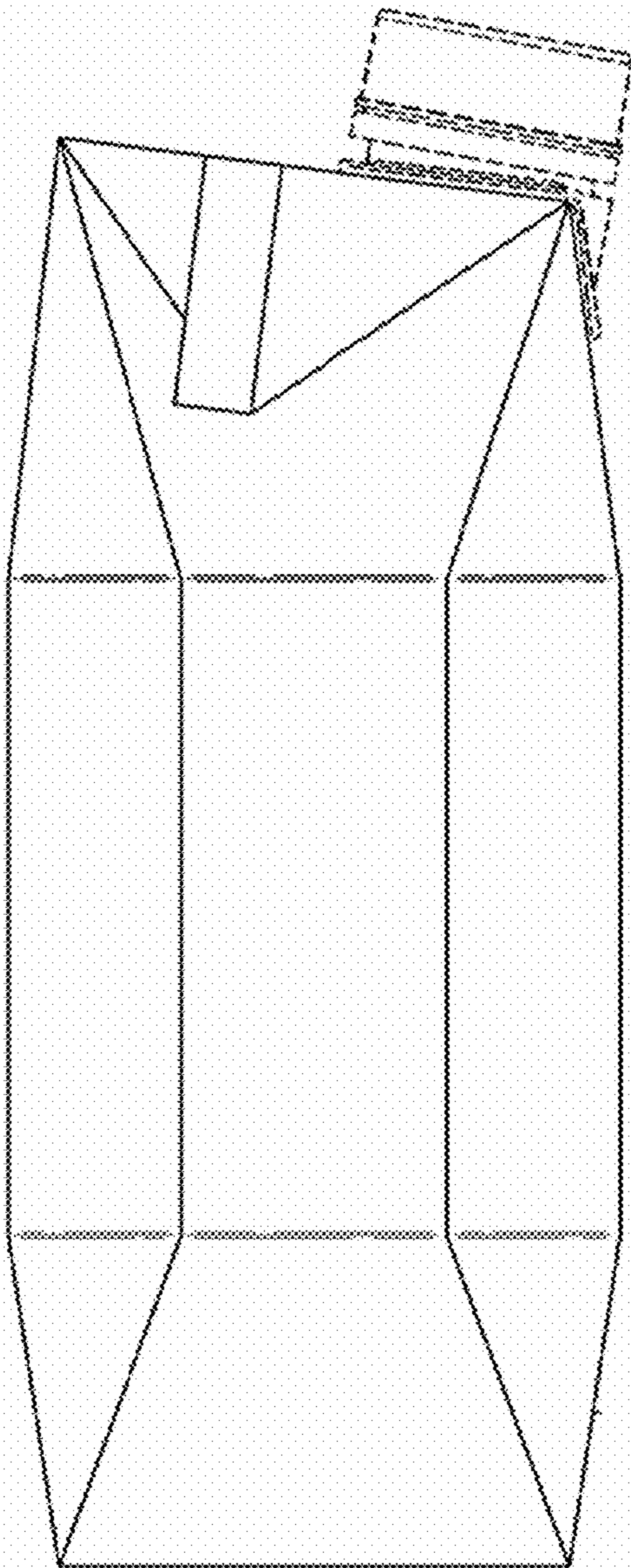


FIG. 7

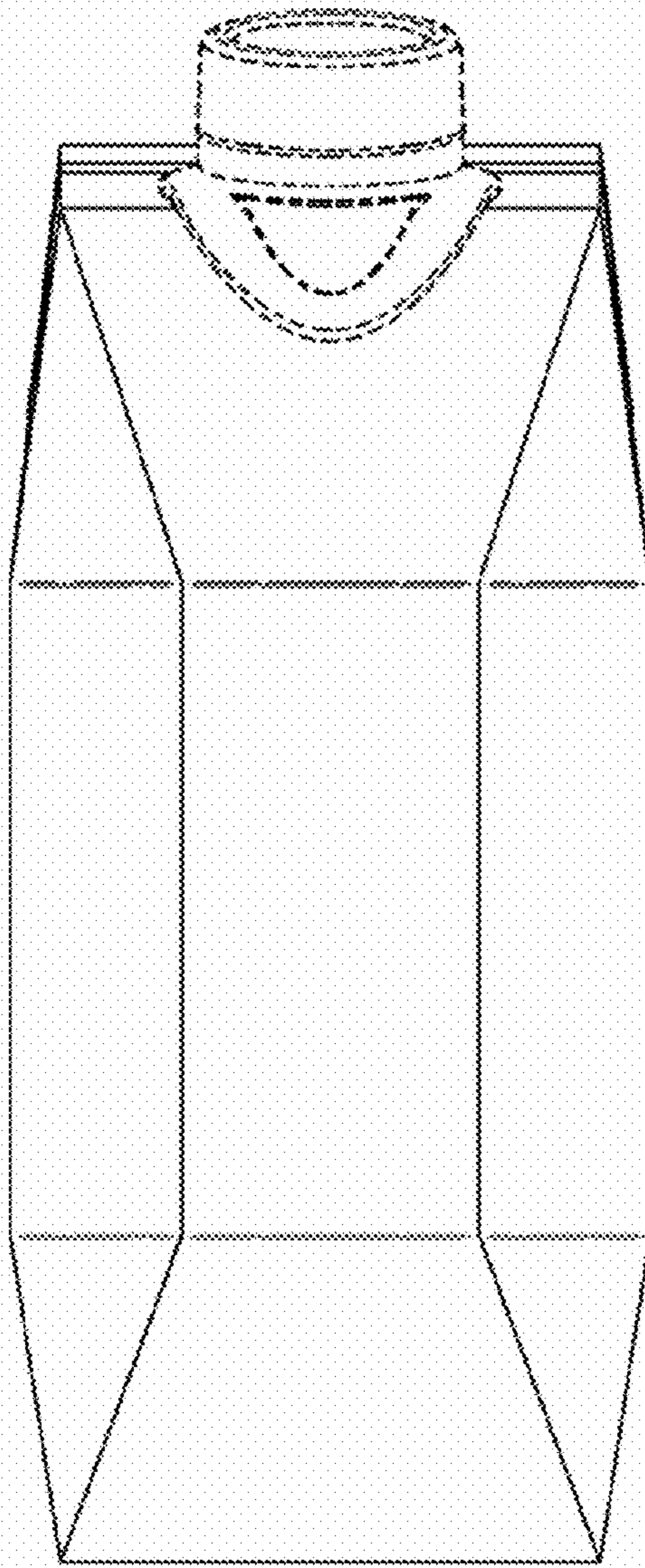


FIG. 8

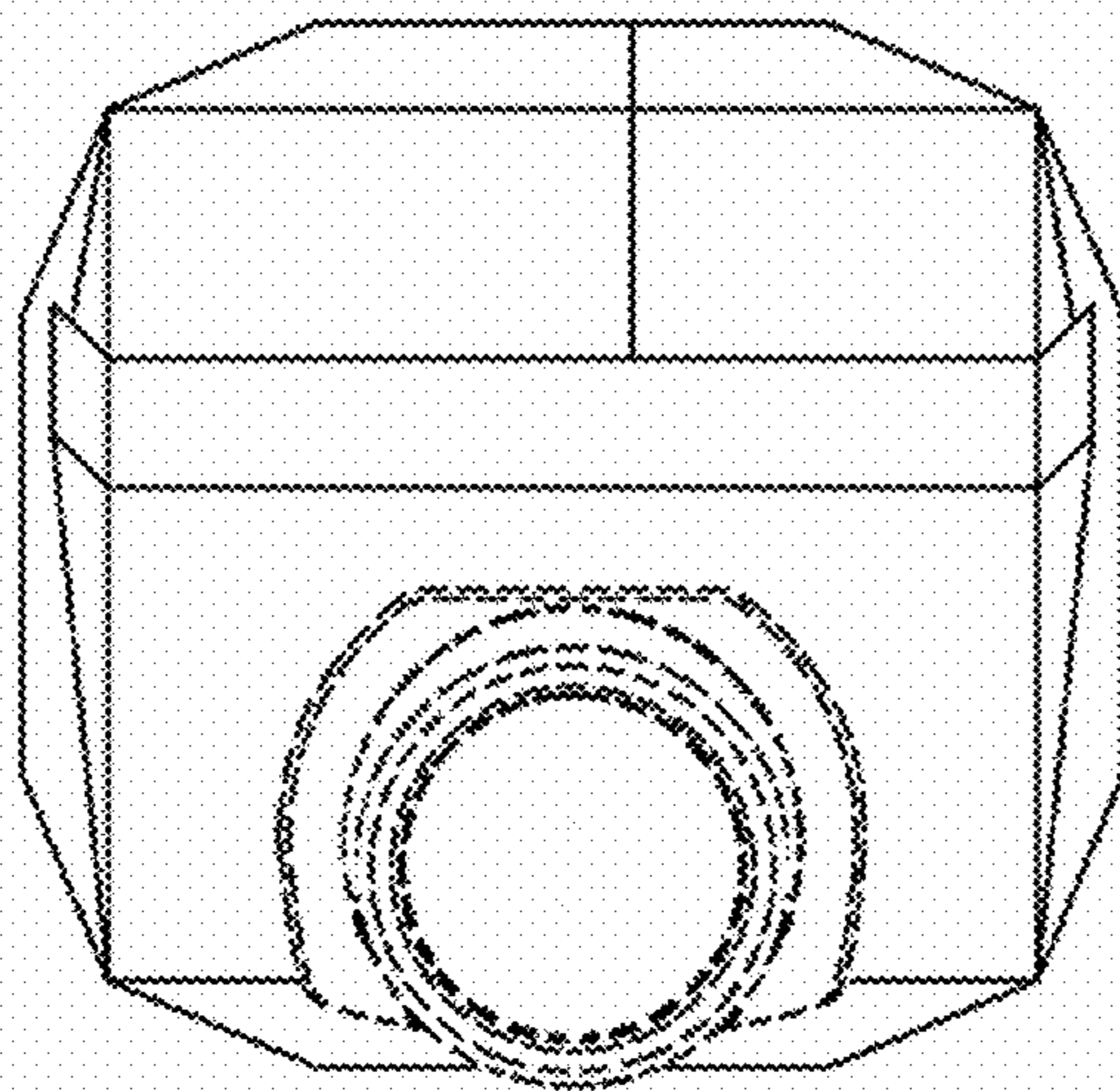


FIG. 9

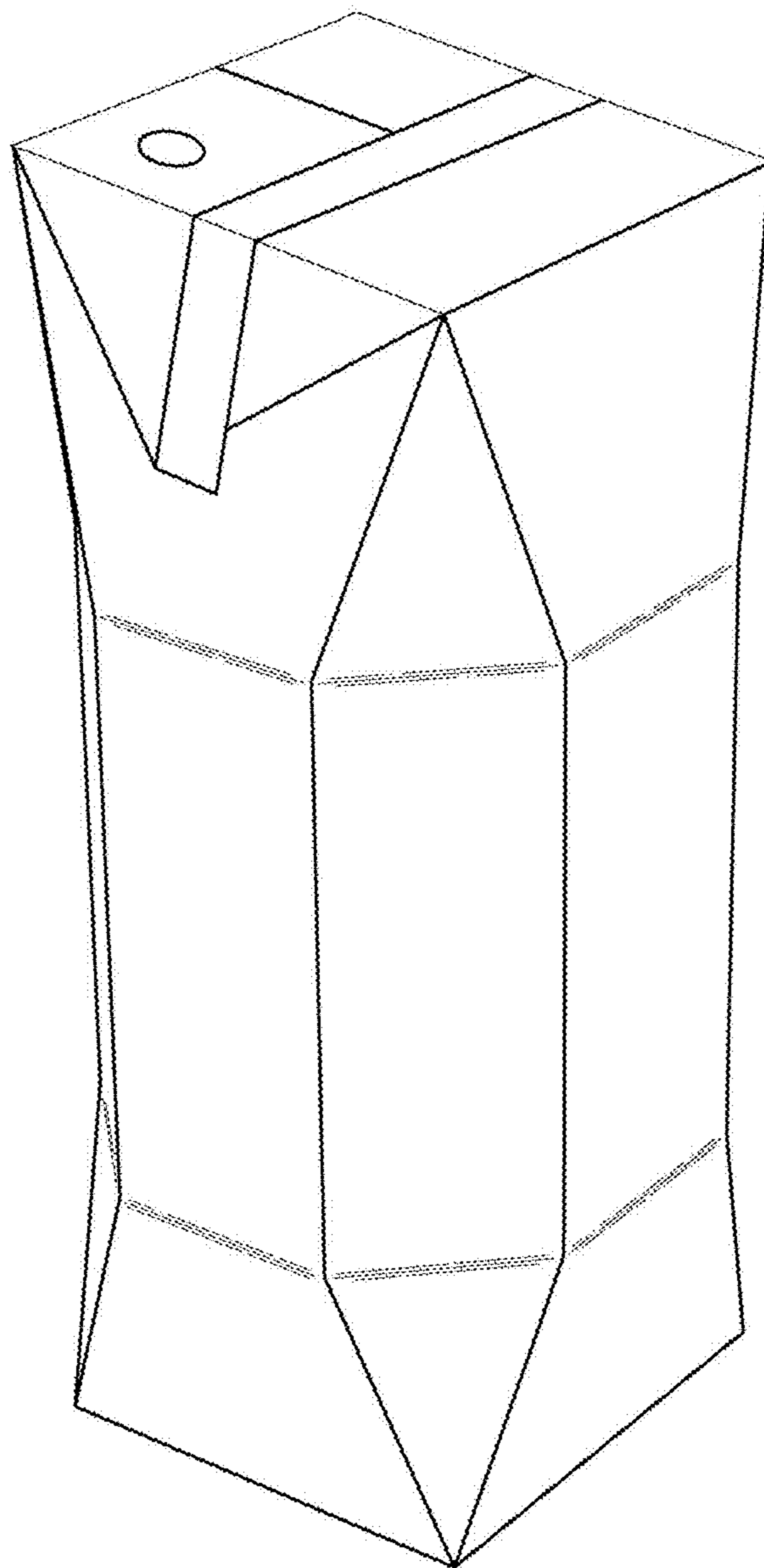


FIG. 10

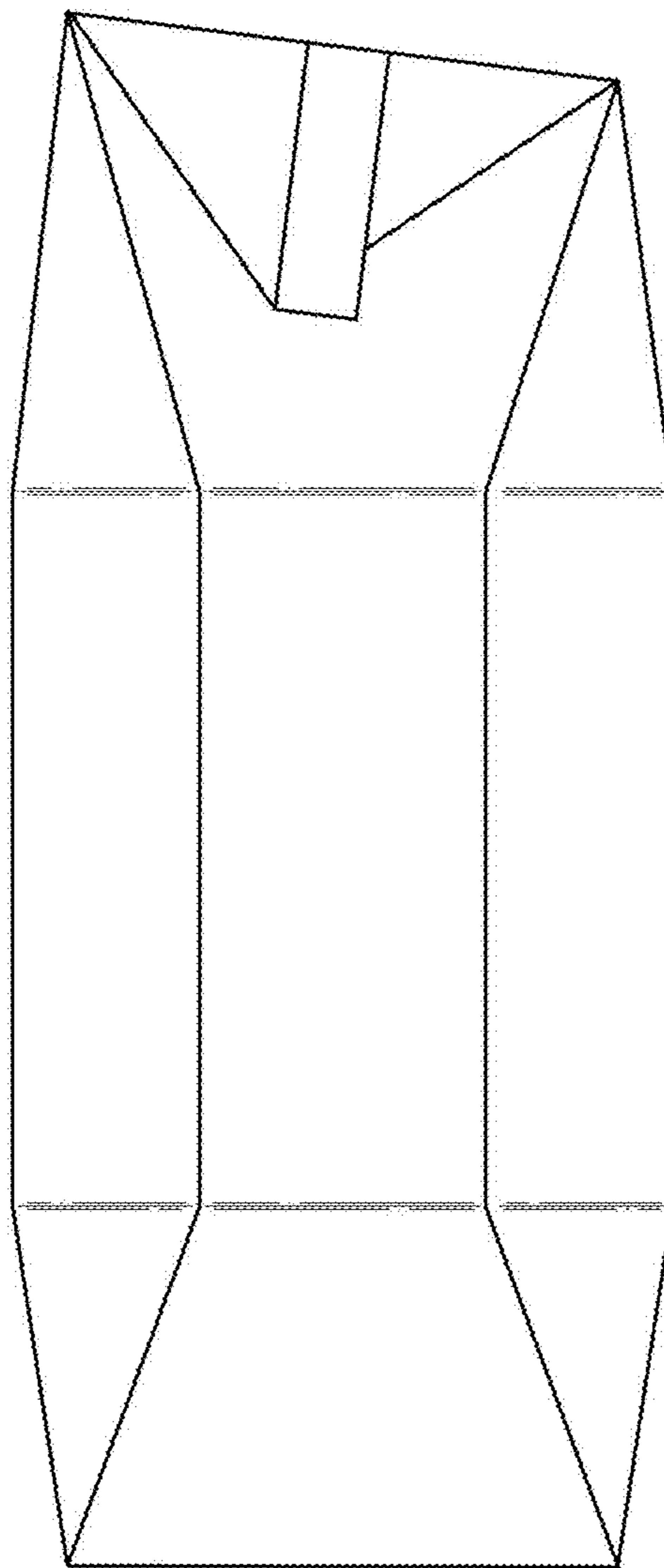


FIG. 11

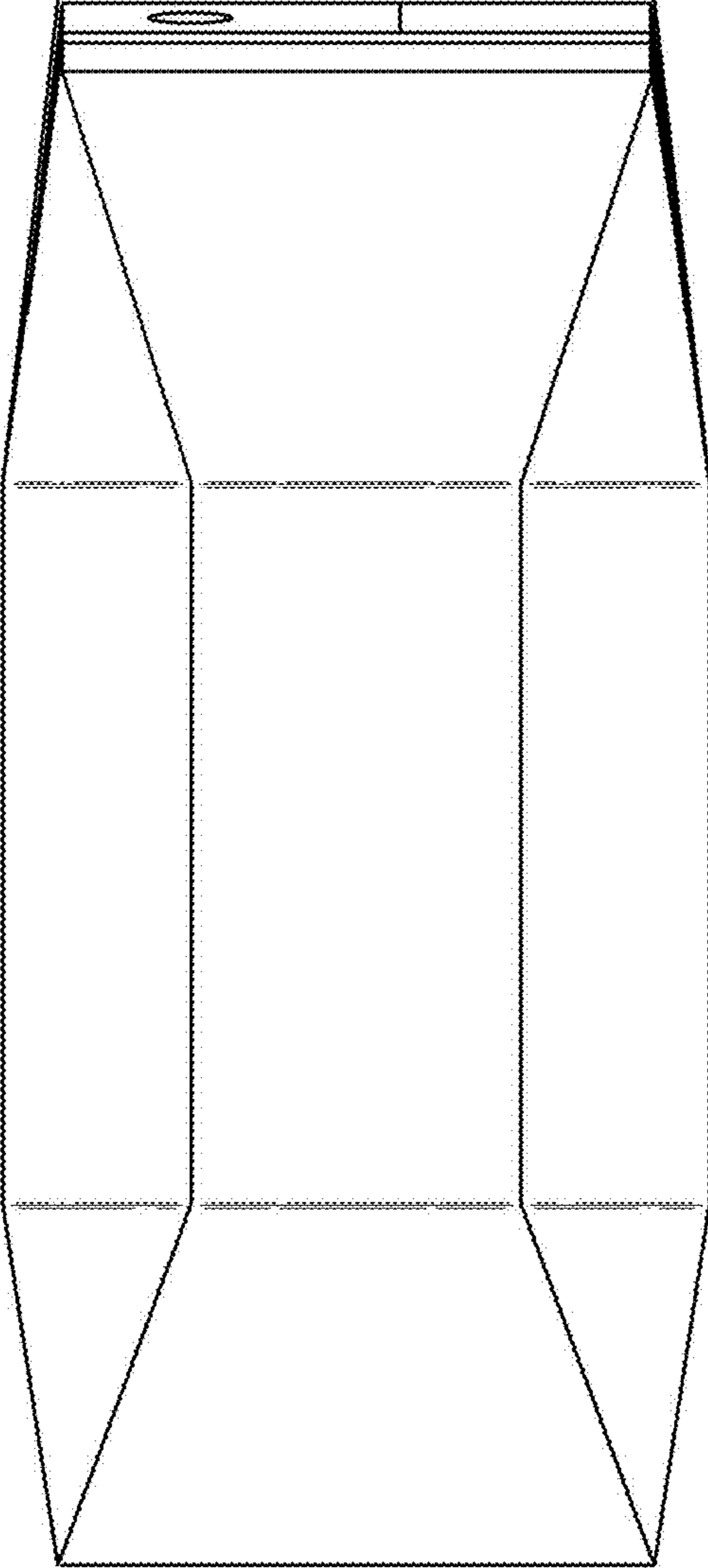


FIG. 12

