



US00D733555S

(12) **United States Design Patent**
Brady et al.

(10) **Patent No.:** **US D733,555 S**
(45) **Date of Patent:** **** Jul. 7, 2015**

- (54) **CUP**
- (71) Applicant: **THE QUAKER OATS COMPANY**,
Chicago, IL (US)
- (72) Inventors: **Debra Brady**, Barrington, IL (US); **Eric Thomas Henderson**, Chicago, IL (US);
James J. Maki, McHenry, IL (US)
- (73) Assignee: **The Quaker Oats Company**, Chicago,
IL (US)
- (**) Term: **14 Years**
- (21) Appl. No.: **29/481,872**
- (22) Filed: **Feb. 11, 2014**
- (51) **LOC (10) Cl.** **09-03**
- (52) **U.S. Cl.**
USPC **D9/428**
- (58) **Field of Classification Search**
USPC 99/295; D9/414, 416, 424, 425, 427,
D9/428, 429, 434, 435, 438, 440, 453, 454,
D9/456, 500-505, 529, 530, 531, 538;
426/77, 80, 86, 115, 431; 220/574,
220/573.1, 203.8, 359.1; D7/400, 677, 675,
D7/672, 584; 229/123.2; 210/473;
D11/152, 153
CPC B65D 2543/00092; B65D 2543/00296;
B65D 2543/00351; B65D 2543/00731; B65D
2543/00796; B65D 47/0847; B65D 85/8043;
B65D 85/8046; A47J 31/407; A47J 31/3676;
A47J 31/3623; A47J 31/22; A47J 31/0689
See application file for complete search history.

(56) **References Cited**

U.S. PATENT DOCUMENTS

- D258,338 S * 2/1981 Gersin D7/584
- 4,438,850 A * 3/1984 Kahn 229/123.1
- D288,515 S * 3/1987 Rimmeir D7/584
- D426,160 S 6/2000 Lindsay
- D429,150 S 8/2000 Lindsay

- D439,517 S 3/2001 Lindsay
- D445,677 S 7/2001 Lindsay
- D453,094 S * 1/2002 Maggard et al. D7/584
- D478,478 S * 8/2003 Soohoo et al. D7/586
- D489,004 S * 4/2004 Parman D9/428
- D532,293 S * 11/2006 Martin D9/503
- D532,689 S * 11/2006 Rotta D9/611
- D546,140 S * 7/2007 Anzalone D7/672
- D577,288 S * 9/2008 Wilson et al. D9/500
- D591,590 S * 5/2009 Wilson et al. D9/428
- D649,054 S * 11/2011 Sharma et al. D9/500
- D682,089 S * 5/2013 Bourguignon D9/428
- D684,459 S * 6/2013 Stowe et al. D9/428
- D685,263 S * 7/2013 Danenberg D9/428
- D695,615 S * 12/2013 Rapparini D9/500
- D697,801 S * 1/2014 Rapparini D9/500
- D705,064 S * 5/2014 Sy D9/500
- D710,686 S * 8/2014 Gowens D9/429
- D713,756 S * 9/2014 Thuma et al. D11/152
- D717,202 S * 11/2014 Thuma et al. D11/152
- 2011/0315703 A1 * 12/2011 Urushidani et al. 220/805
- 2012/0199599 A1 * 8/2012 Minnette et al. 220/780

* cited by examiner

Primary Examiner — Philip S Hyder

Assistant Examiner — Keith Frank

(74) *Attorney, Agent, or Firm* — James R. Gourley; Colin P. Cahoon; Carstens & Cahoon, LLP

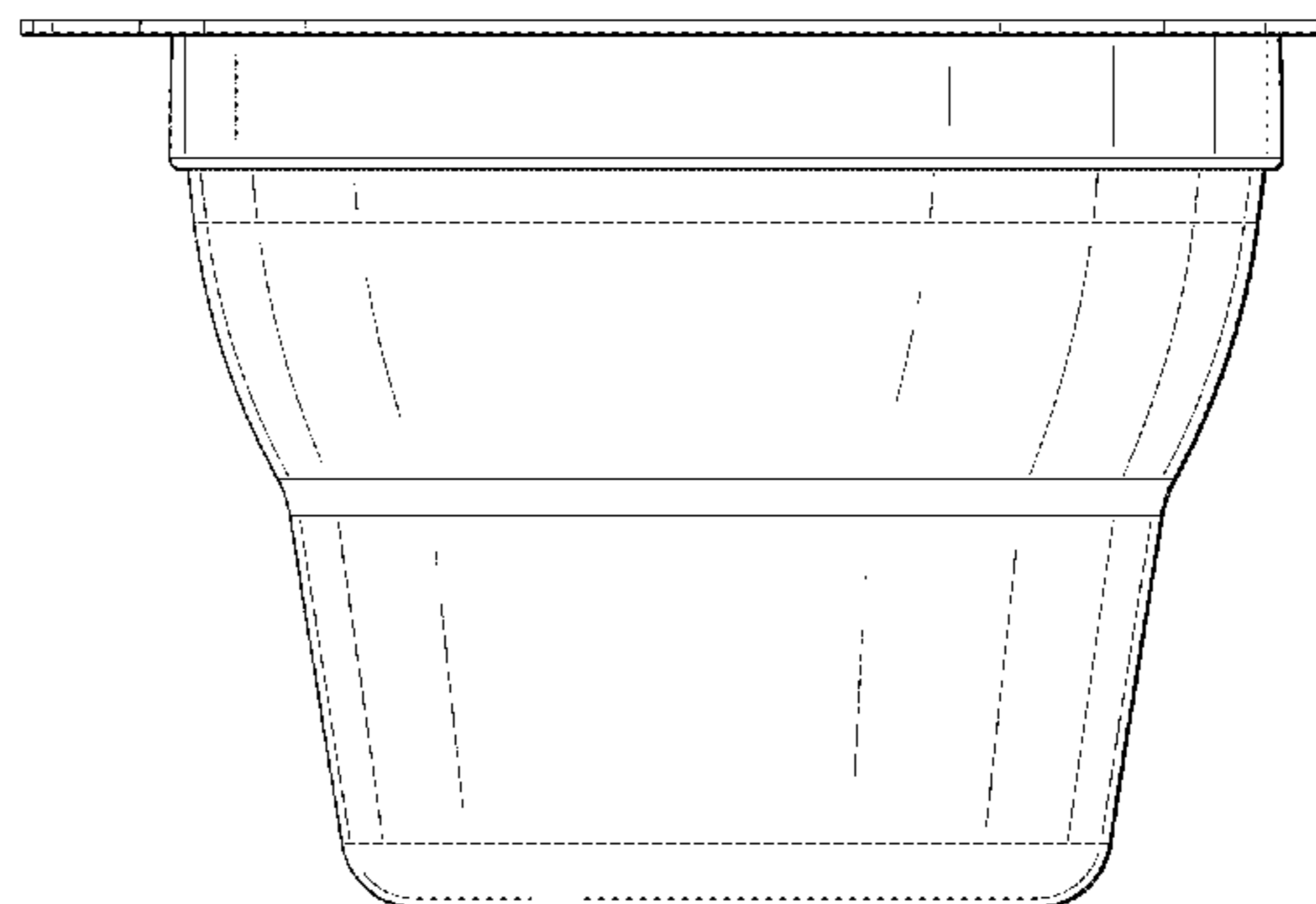
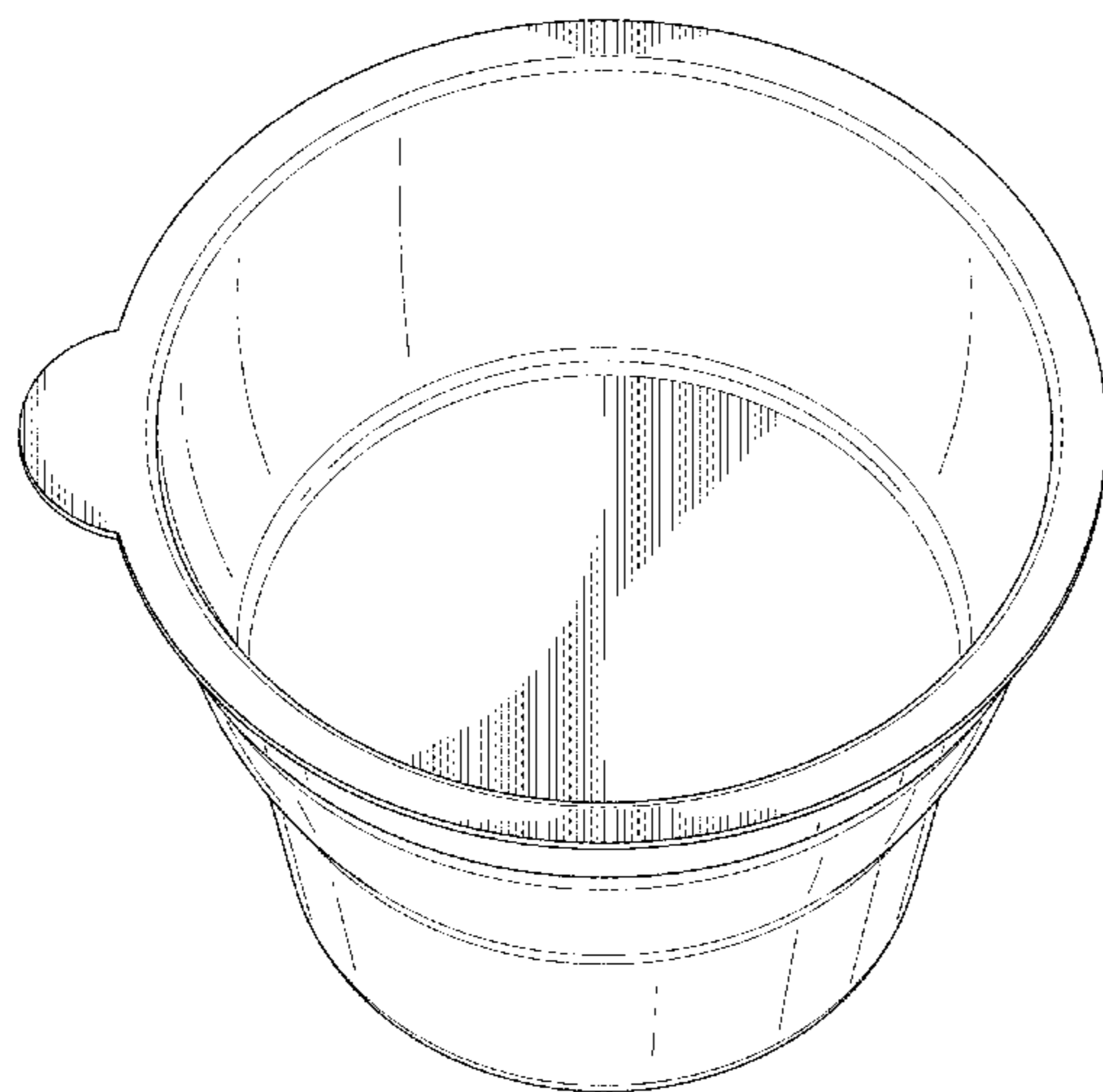
(57) **CLAIM**

The ornamental design for a cup, as shown and described.

DESCRIPTION

FIG. 1 is a perspective view of the cup;
 FIG. 2 is a side elevation view of the cup;
 FIG. 3 is an opposite side elevation view of the cup;
 FIG. 4 is a rear elevation view of the cup;
 FIG. 5 is a front elevation view of the cup;
 FIG. 6 is a top elevation view of the cup; and,
 FIG. 7 is a bottom elevation view of the cup.
 The broken line showing in FIG. 7 depicts a portion of the design in which the design is embodied that forms no part of the claimed design.

1 Claim, 7 Drawing Sheets



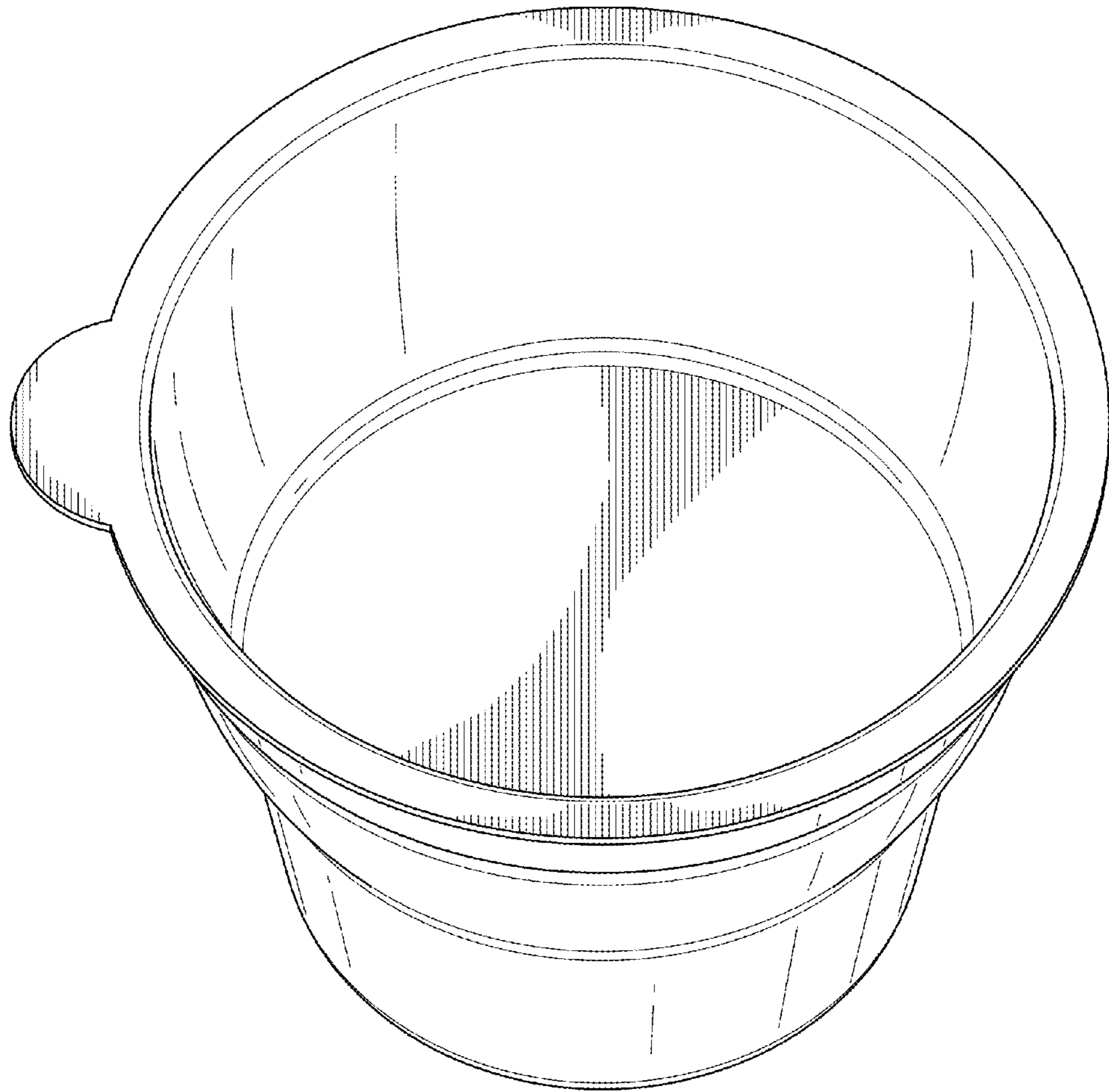


FIG. 1

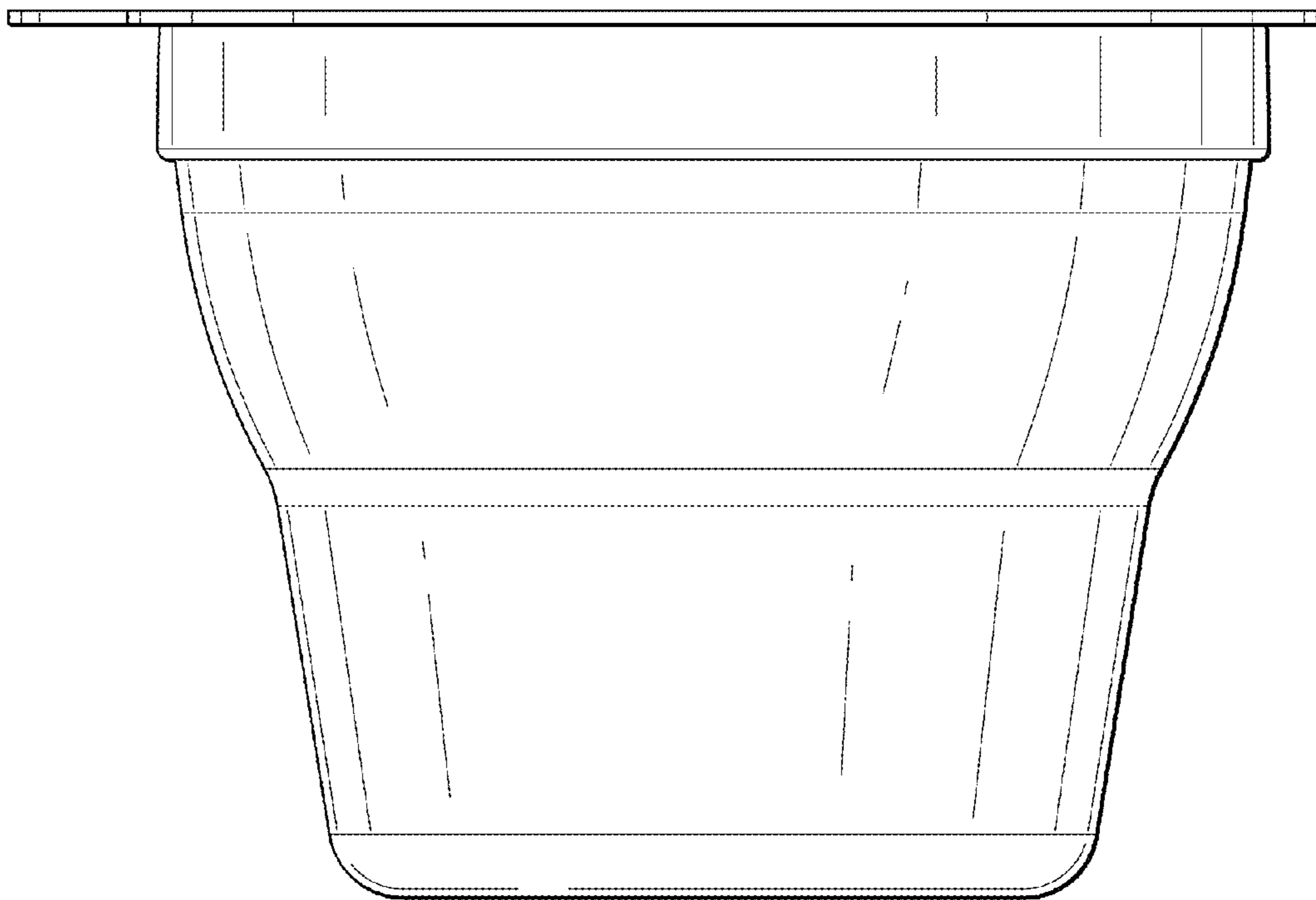


FIG. 2

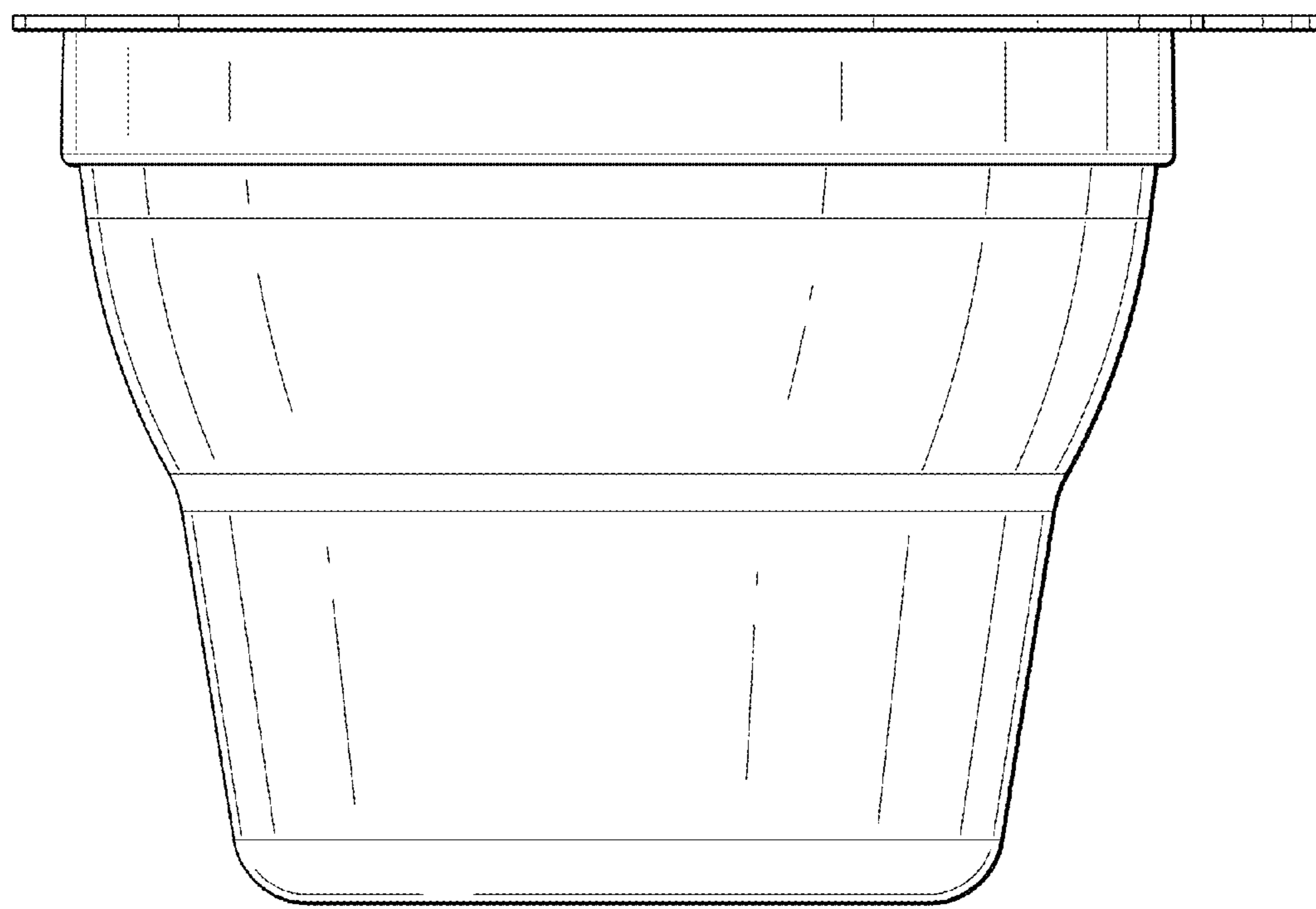


FIG. 3

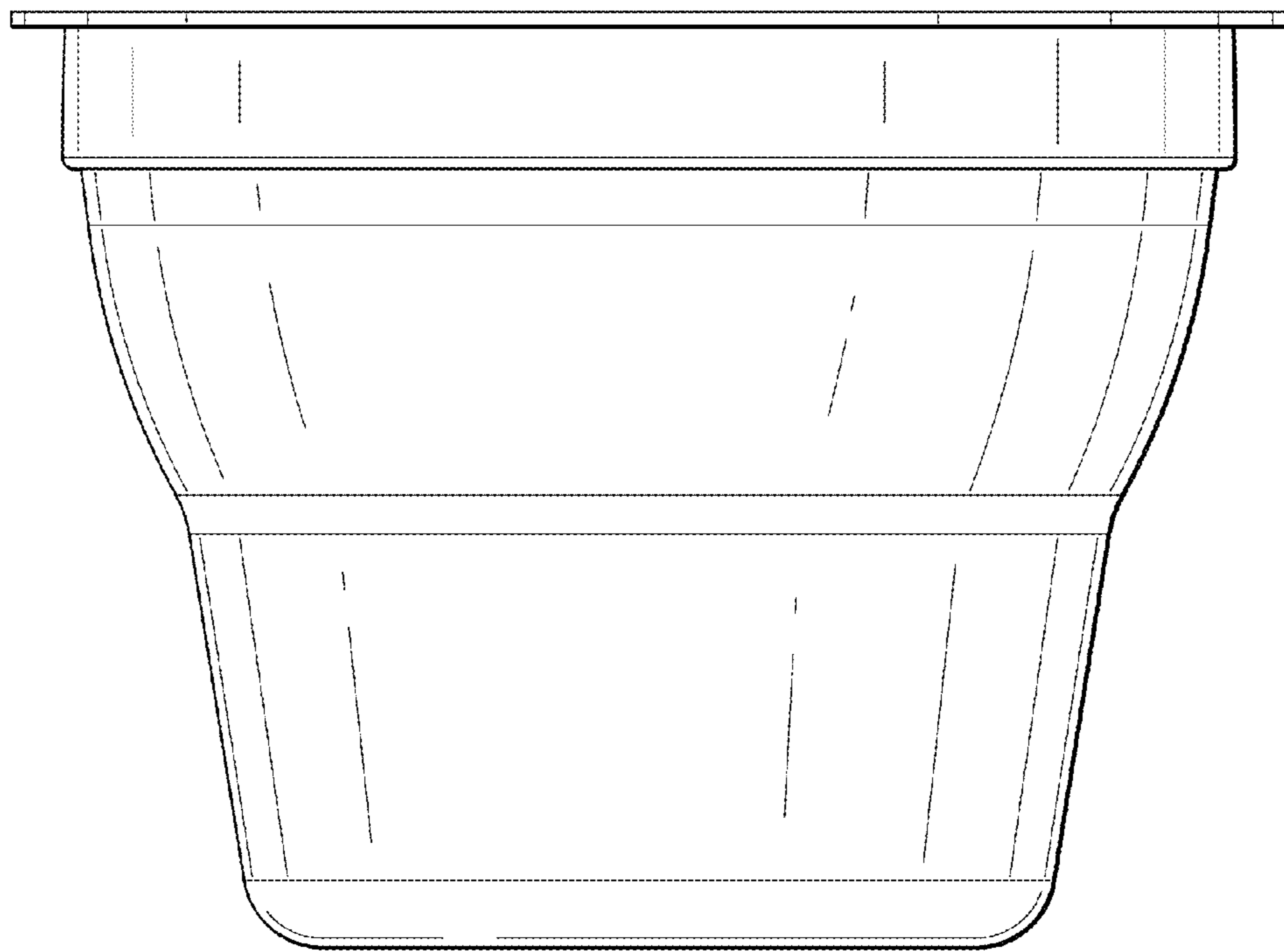


FIG. 4

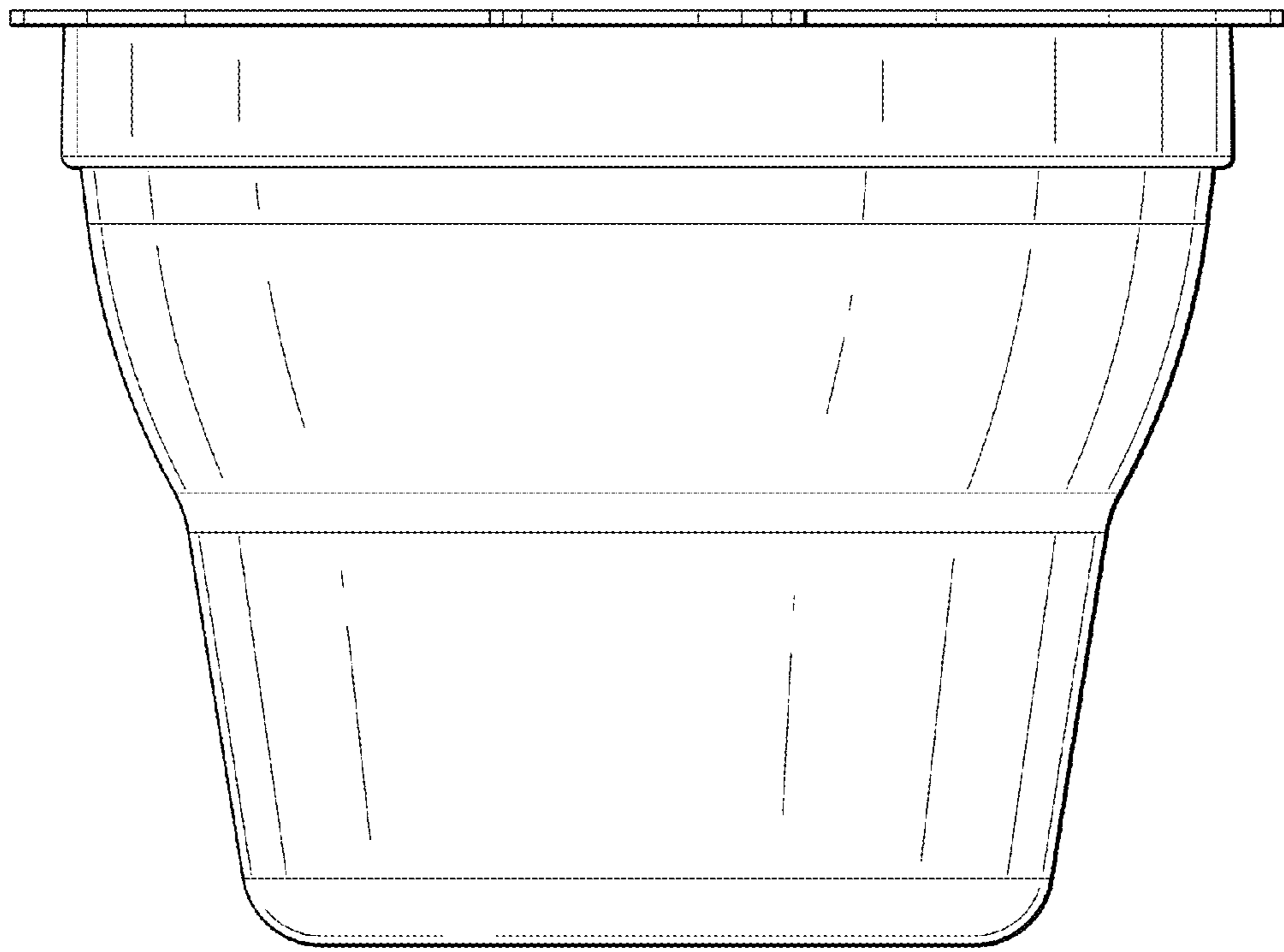


FIG. 5

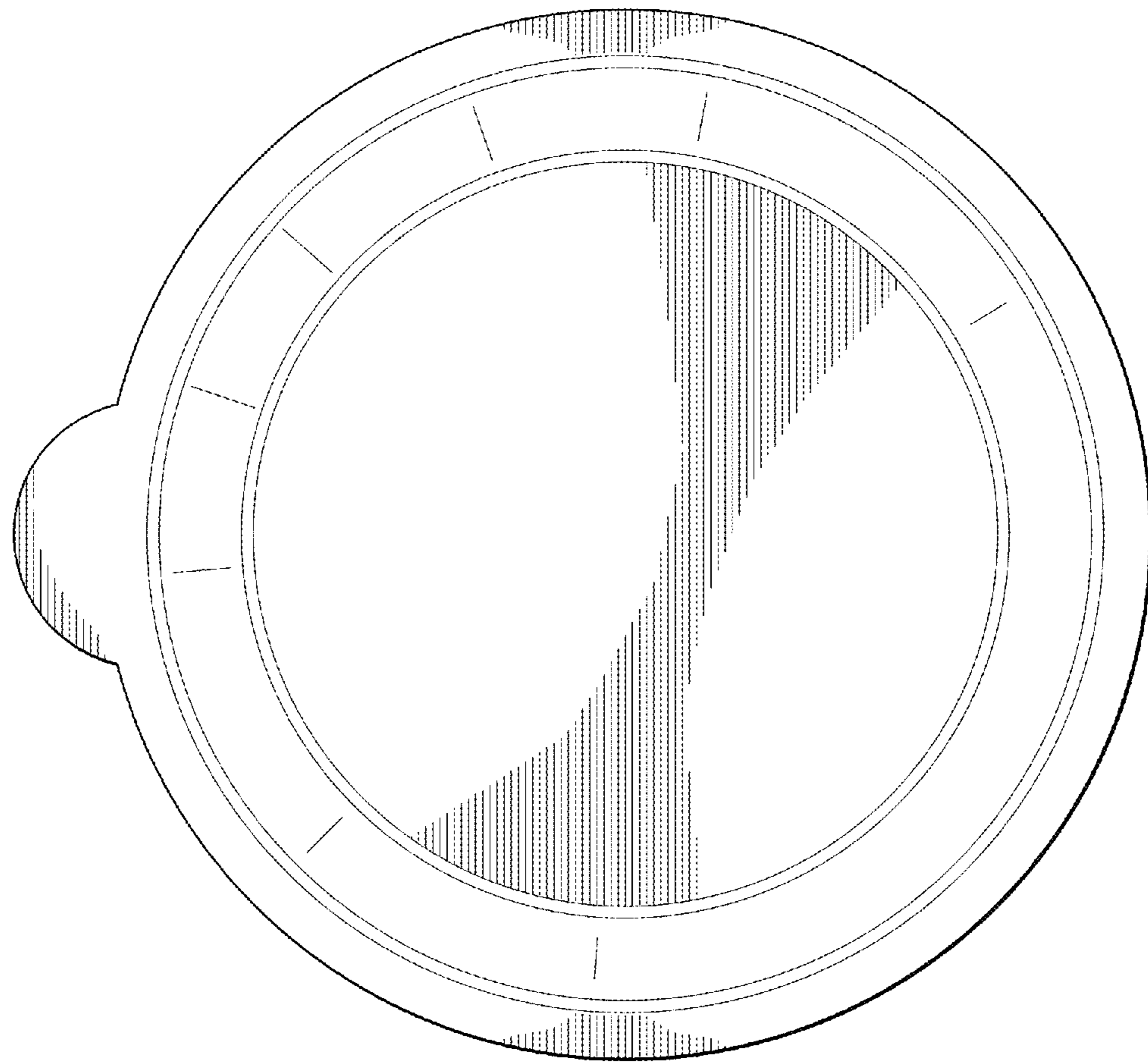


FIG. 6

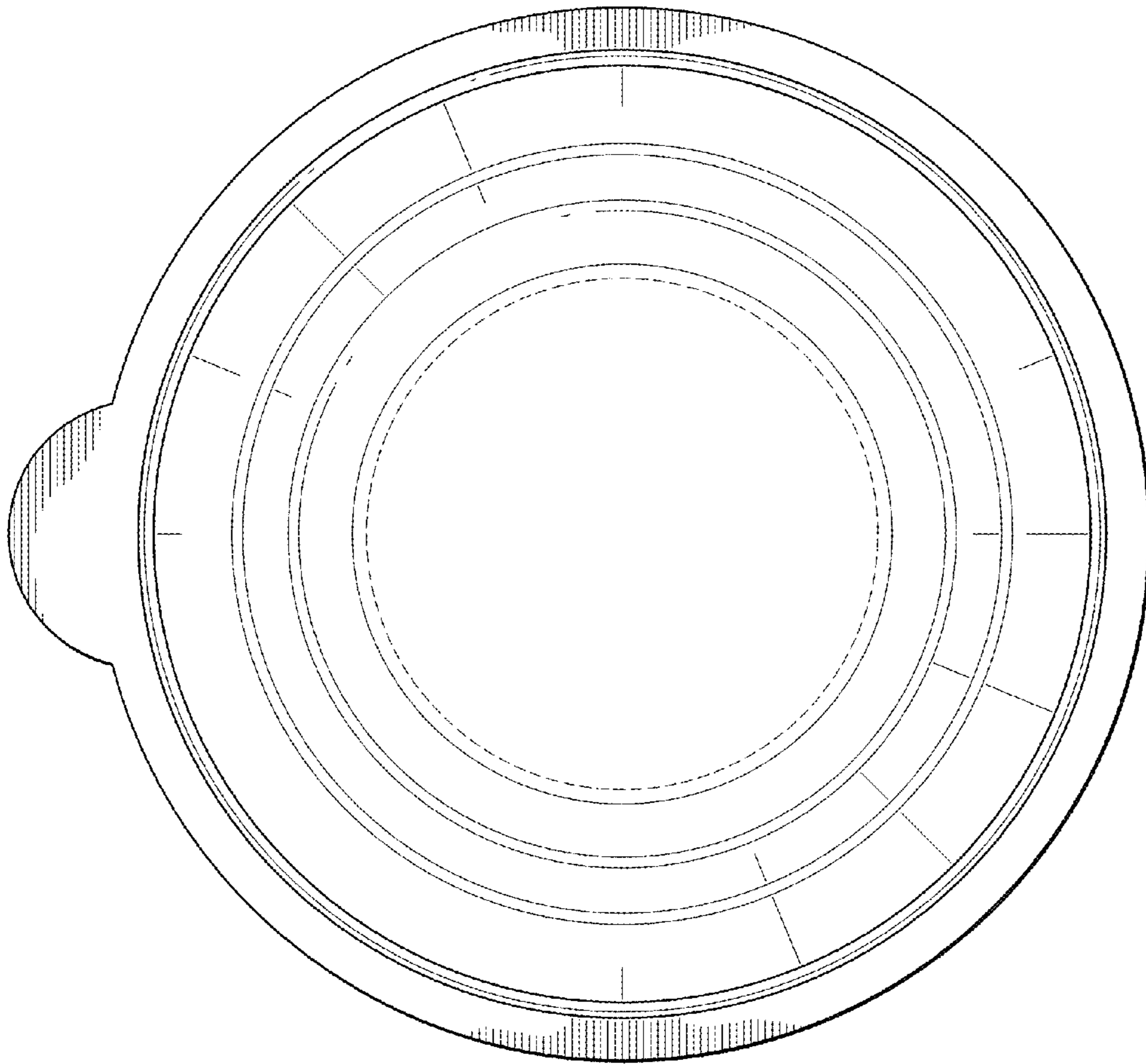


FIG. 7