



US00D733553S

(12) **United States Design Patent**
Henderson et al.

(10) **Patent No.:** **US D733,553 S**

(45) **Date of Patent:** **** Jul. 7, 2015**

(54) **FOOD PACKAGE**

(71) Applicant: **The Quaker Oats Company**, Chicago, IL (US)

(72) Inventors: **Eric Thomas Henderson**, Chicago, IL (US); **James J. Maki**, McHenry, IL (US)

(73) Assignee: **The Quaker Oats Company**, Chicago, IL (US)

(**) Term: **14 Years**

(21) Appl. No.: **29/469,396**

(22) Filed: **Oct. 9, 2013**

(51) **LOC (10) Cl.** **09-03**

(52) **U.S. Cl.**
USPC **D9/416**

(58) **Field of Classification Search**
USPC D9/416, 428, 429, 424, 500, 425, 716,
D9/549; D7/514, 629, 538; D3/203.2;
220/573.2

See application file for complete search history.

(56) **References Cited**

U.S. PATENT DOCUMENTS

D399,050 S *	10/1998	Evans	D3/203.2
D413,489 S *	9/1999	Miller	D7/629
D429,150 S *	8/2000	Lindsay et al.	D9/425
D507,155 S *	7/2005	Gosen et al.	D7/629
D528,432 S *	9/2006	Snedden et al.	D9/716
D572,133 S *	7/2008	Wilson et al.	D9/500
D603,222 S *	11/2009	Krueger et al.	D7/538
D604,157 S *	11/2009	Reiterer et al.	D9/416
D606,406 S *	12/2009	Takata et al.	D9/500
D607,329 S *	1/2010	Diss	D9/500

(Continued)

Primary Examiner — Holly Baynham

Assistant Examiner — Rhea Shields

(74) *Attorney, Agent, or Firm* — James R. Gourley; Colin P. Cahoon; Carstens & Cahoon, LLP

(57) **CLAIM**

The ornamental design for a food package, as shown and described.

DESCRIPTION

FIG. 1 is a top perspective view of the food package in expanded configuration;

FIG. 2 is a front view of the food package in expanded configuration;

FIG. 3 is a back view of the food package in expanded configuration;

FIG. 4 is a side view of the food package in expanded configuration;

FIG. 5 is a side view of the food package in expanded configuration;

FIG. 6 is a top view of the food package in expanded configuration;

FIG. 7 is a bottom view of the food package in expanded configuration;

FIG. 8 is a bottom perspective view of the food package in expanded configuration;

FIG. 9 is a top perspective view of the food package in collapsed configuration;

FIG. 10 is a front view of the food package in collapsed configuration;

FIG. 11 is a back view of the food package in collapsed configuration;

FIG. 12 is a side view of the food package in collapsed configuration;

FIG. 13 is a side view of the food package in collapsed configuration;

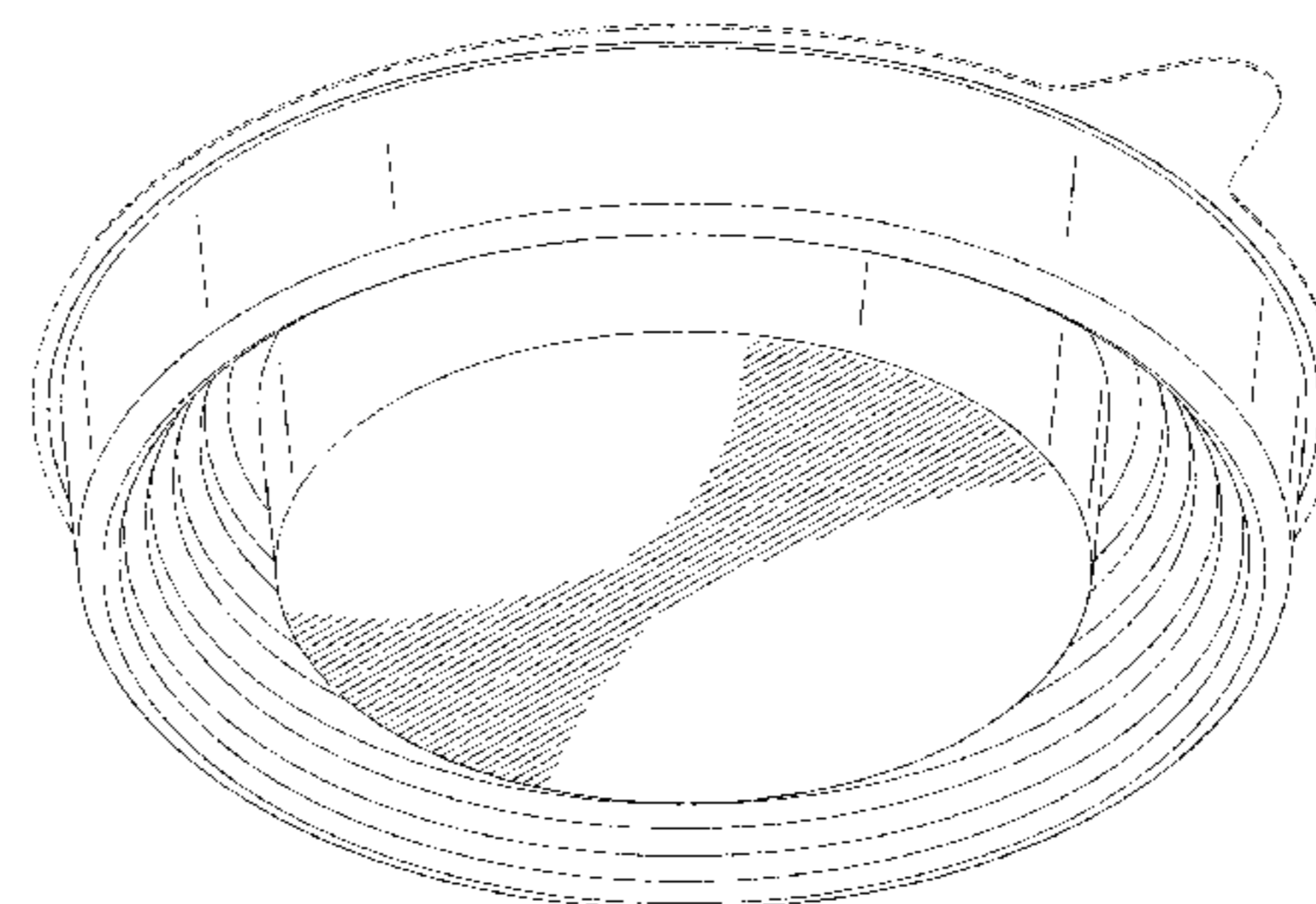
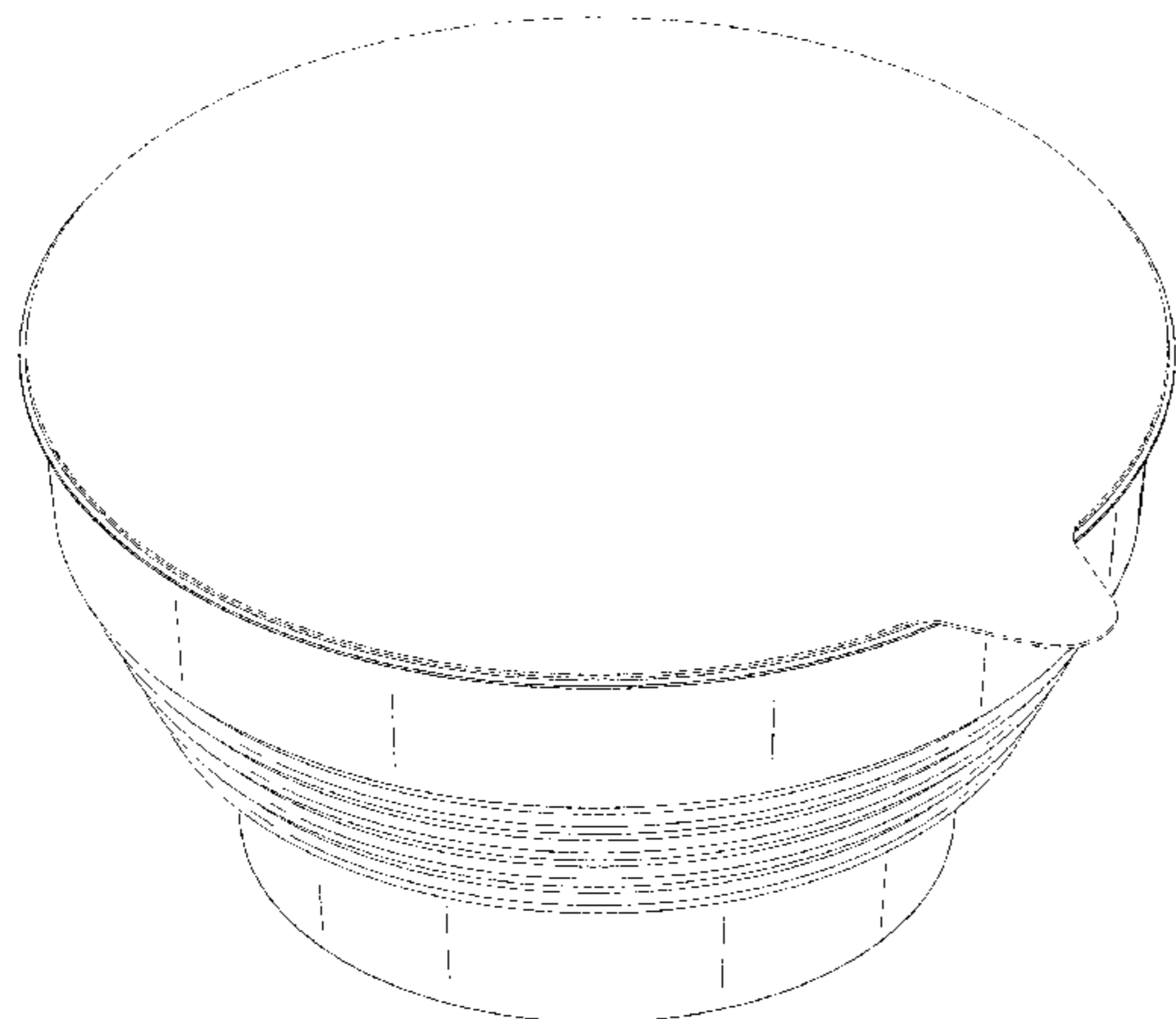
FIG. 14 is a top view of the food package in collapsed configuration;

FIG. 15 is a bottom view of the food package in collapsed configuration; and,

FIG. 16 is a bottom perspective view of the food package in collapsed configuration.

In the drawings, the broken lines are for the purposes of illustrating environment only and form no part of the claimed design.

1 Claim, 14 Drawing Sheets



(56)

References Cited

U.S. PATENT DOCUMENTS

D607,727 S *	1/2010	Takata et al.	D9/500	D684,044 S *	6/2013	Stowe et al.	D9/424
D626,829 S *	11/2010	Touchet	D9/428	D684,459 S *	6/2013	Stowe et al.	D9/428
D628,080 S *	11/2010	Van Heerikhuize et al. ..	D9/549	D685,263 S *	7/2013	Danenberg	D9/428
D632,134 S *	2/2011	Sijing et al.	D7/514	D686,916 S *	7/2013	O'Brien	D9/429
7,922,027 B2 *	4/2011	Boyden et al.	220/573.2	D687,297 S *	8/2013	O'Brien et al.	D9/429
D637,484 S *	5/2011	Winkler	D9/429	D695,110 S *	12/2013	Houlton et al.	D9/428
D649,054 S *	11/2011	Sharma et al.	D9/500	D700,839 S *	3/2014	O'Brien et al.	D9/429
D651,894 S *	1/2012	Cimmerer et al.	D9/429	D701,115 S *	3/2014	Doerr et al.	D9/424
D652,292 S *	1/2012	Riales	D9/429	D705,051 S *	5/2014	Cassens et al.	D9/429
D674,275 S *	1/2013	Bouveret	D9/428	D706,624 S *	6/2014	Key	D9/428
D684,017 S *	6/2013	Wong	D7/629	D706,625 S *	6/2014	Key	D9/429
				D710,686 S *	8/2014	Gowens	D9/429
				D715,649 S *	10/2014	O'Brien	D9/500

* cited by examiner

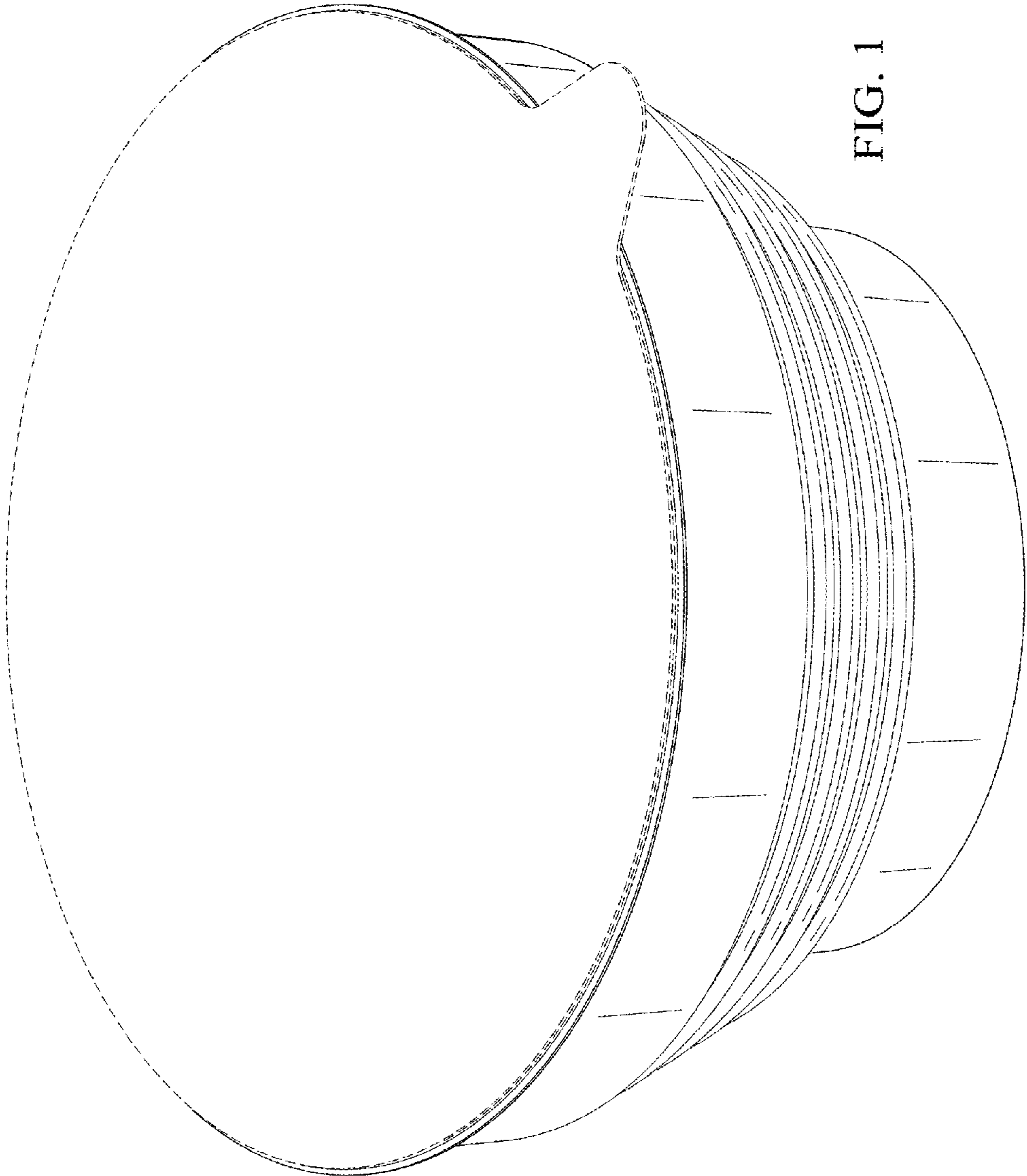


FIG. 1

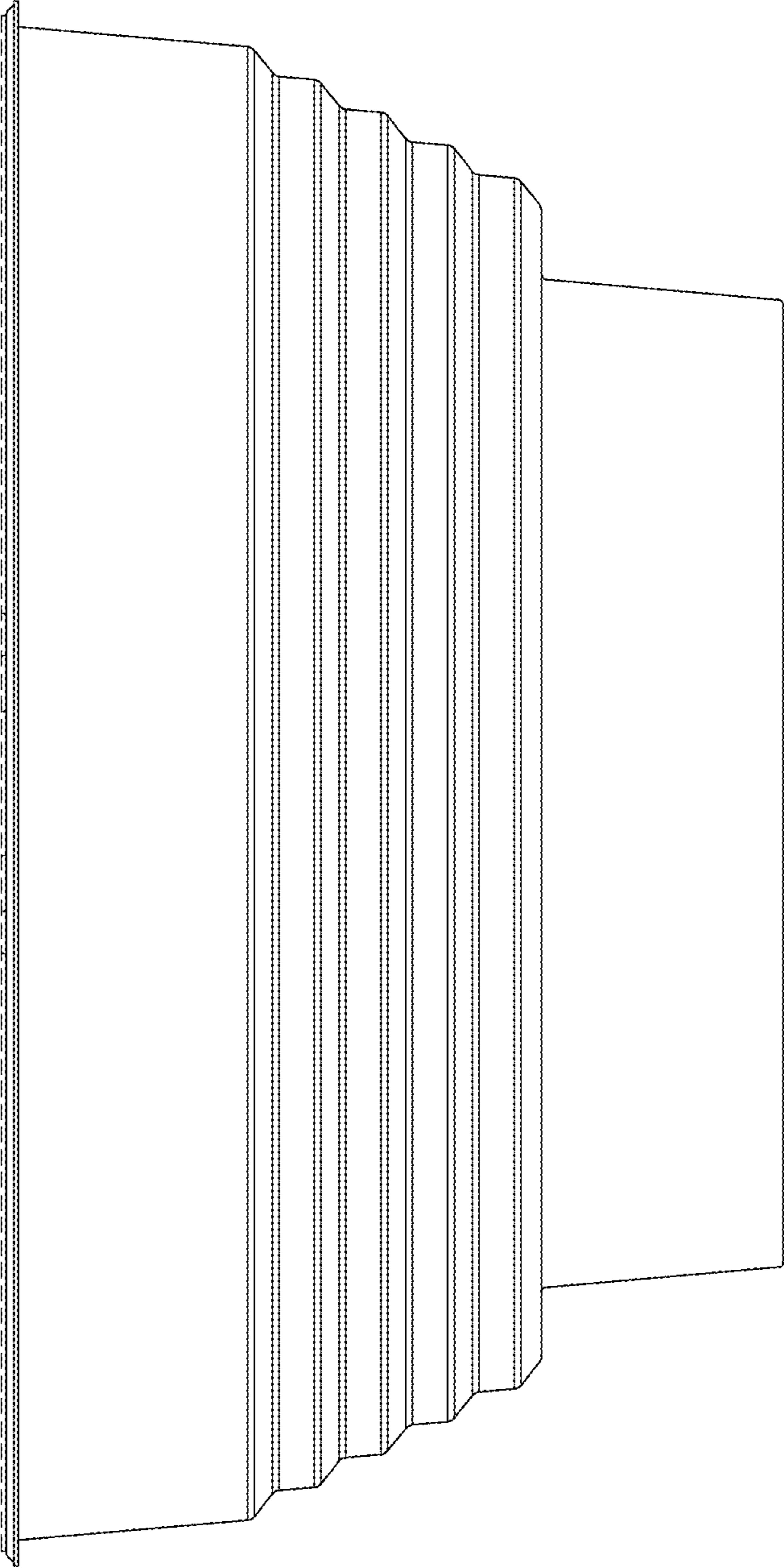


FIG. 2

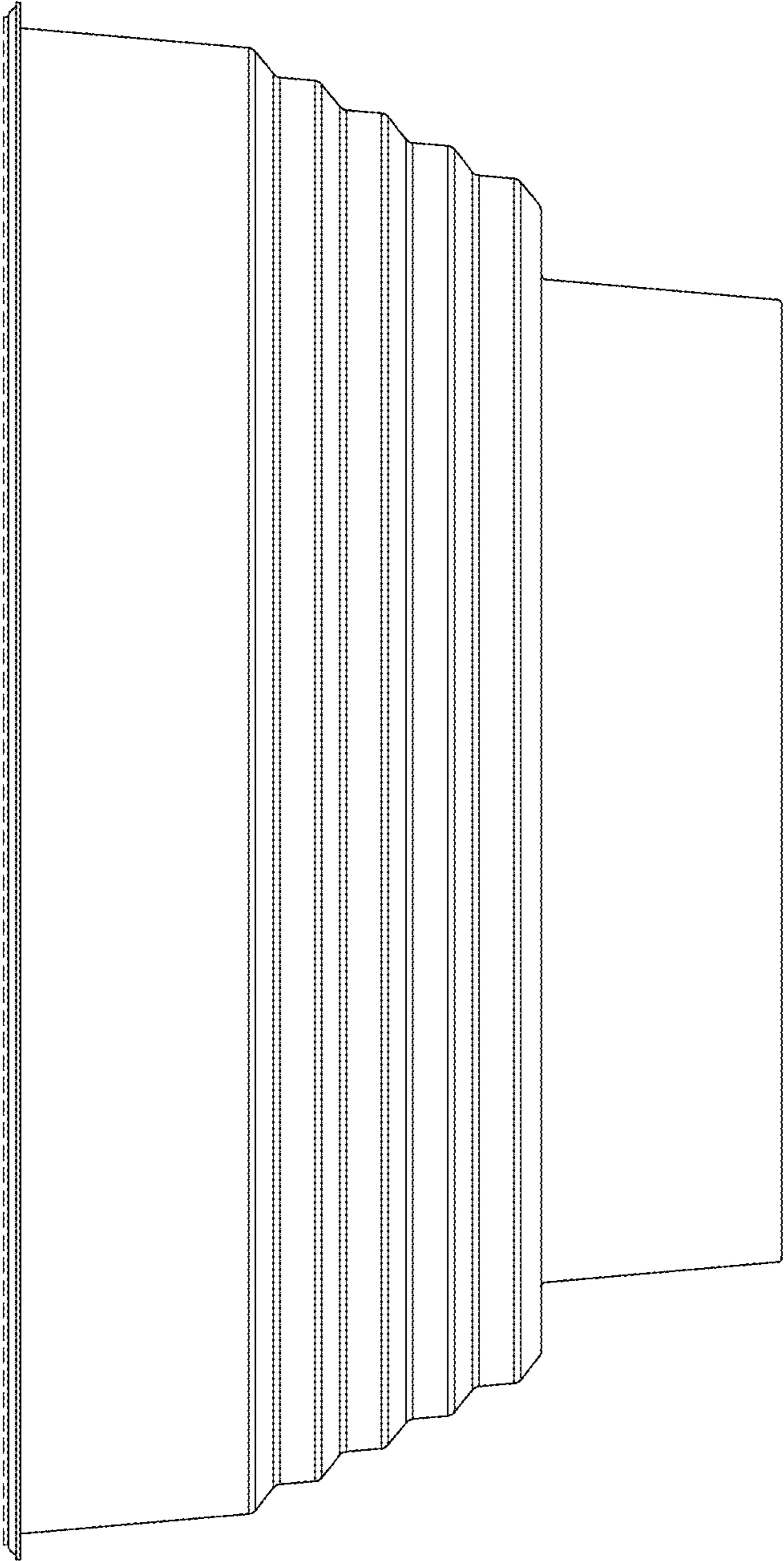


FIG. 3

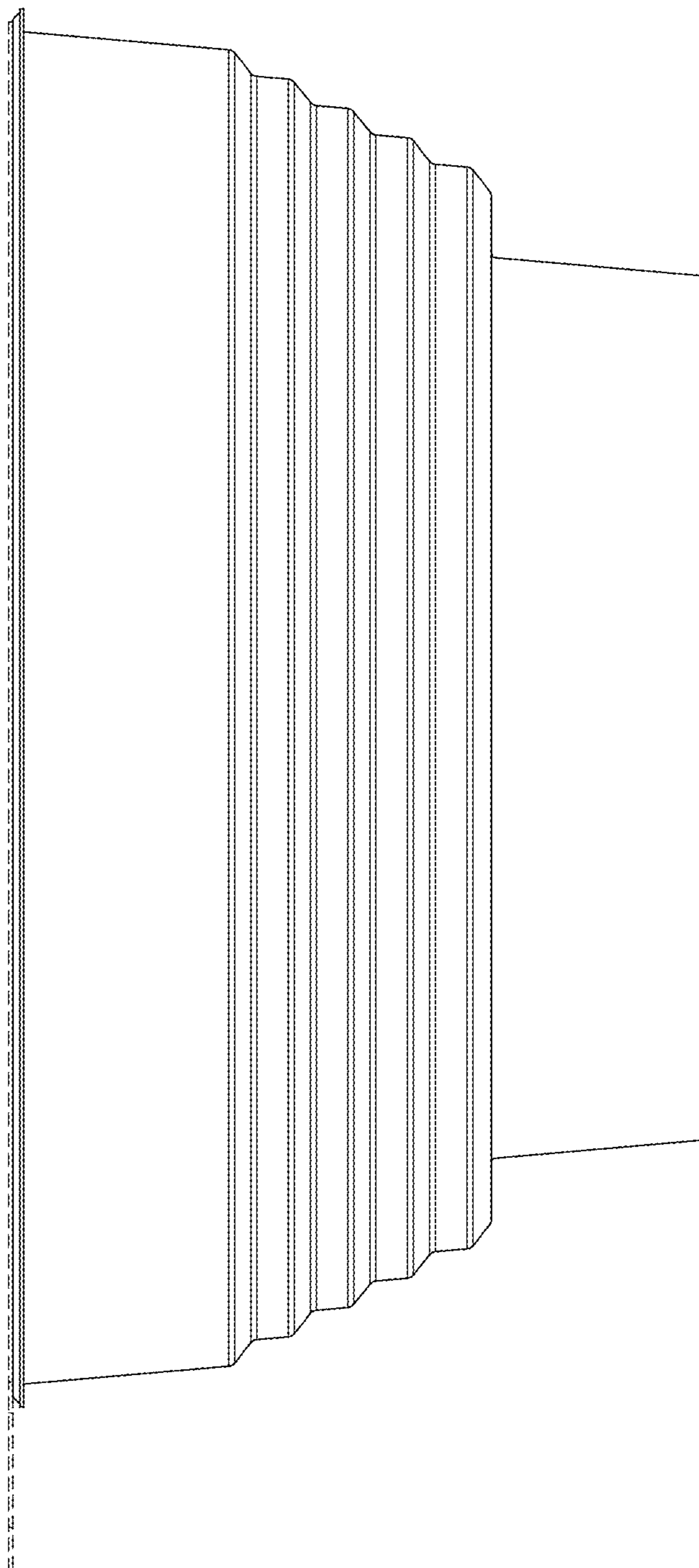


FIG. 4

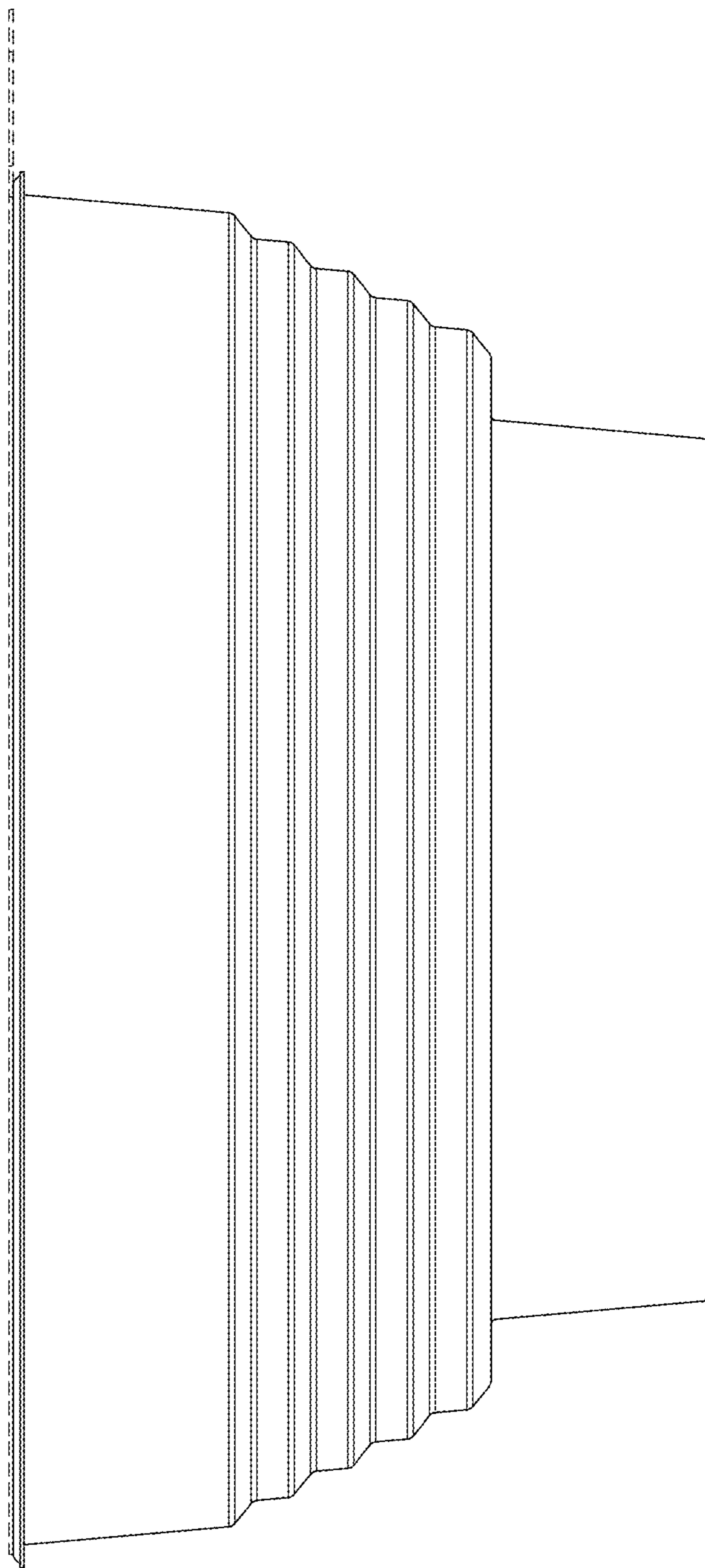


FIG. 5

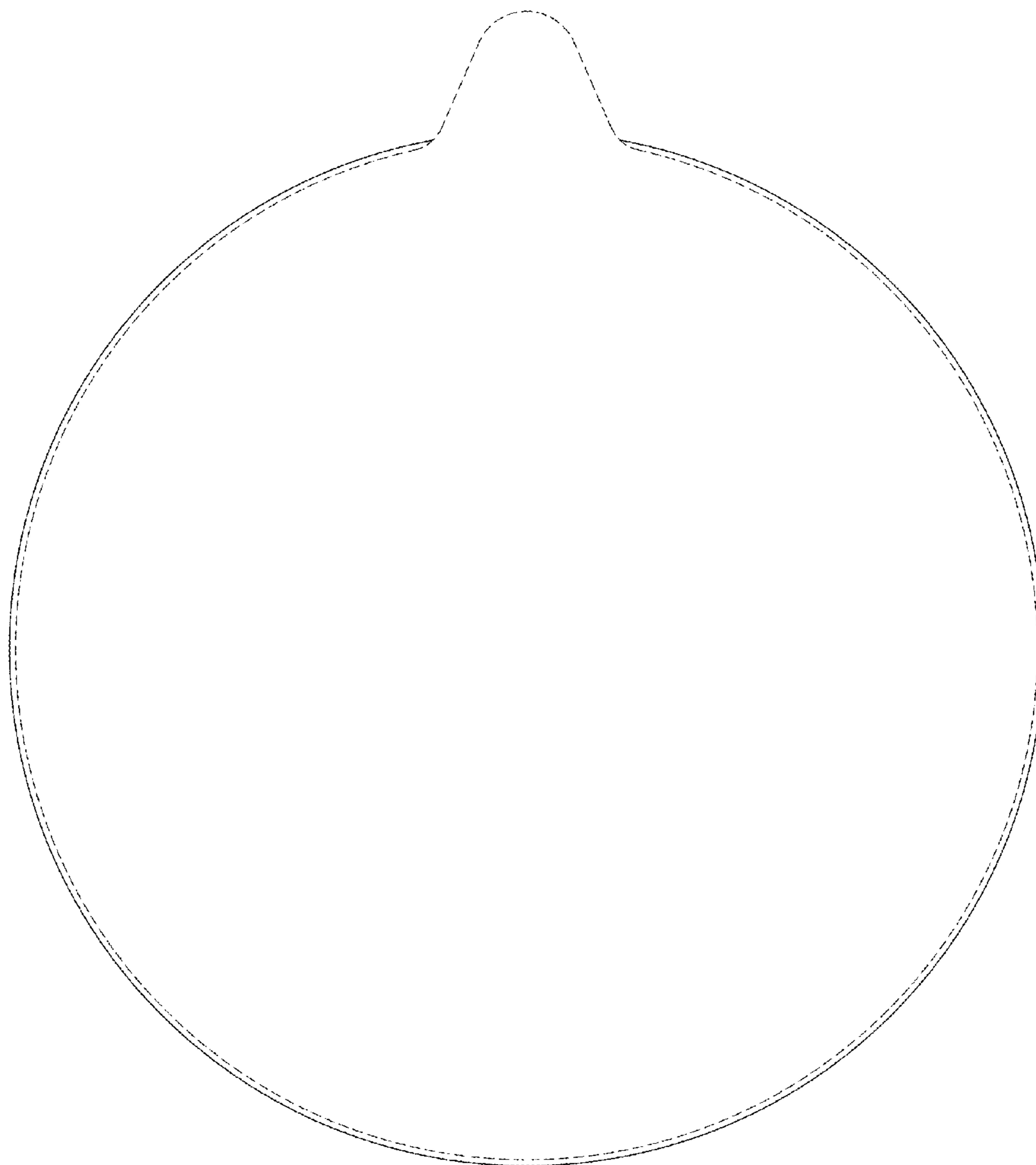


FIG. 6

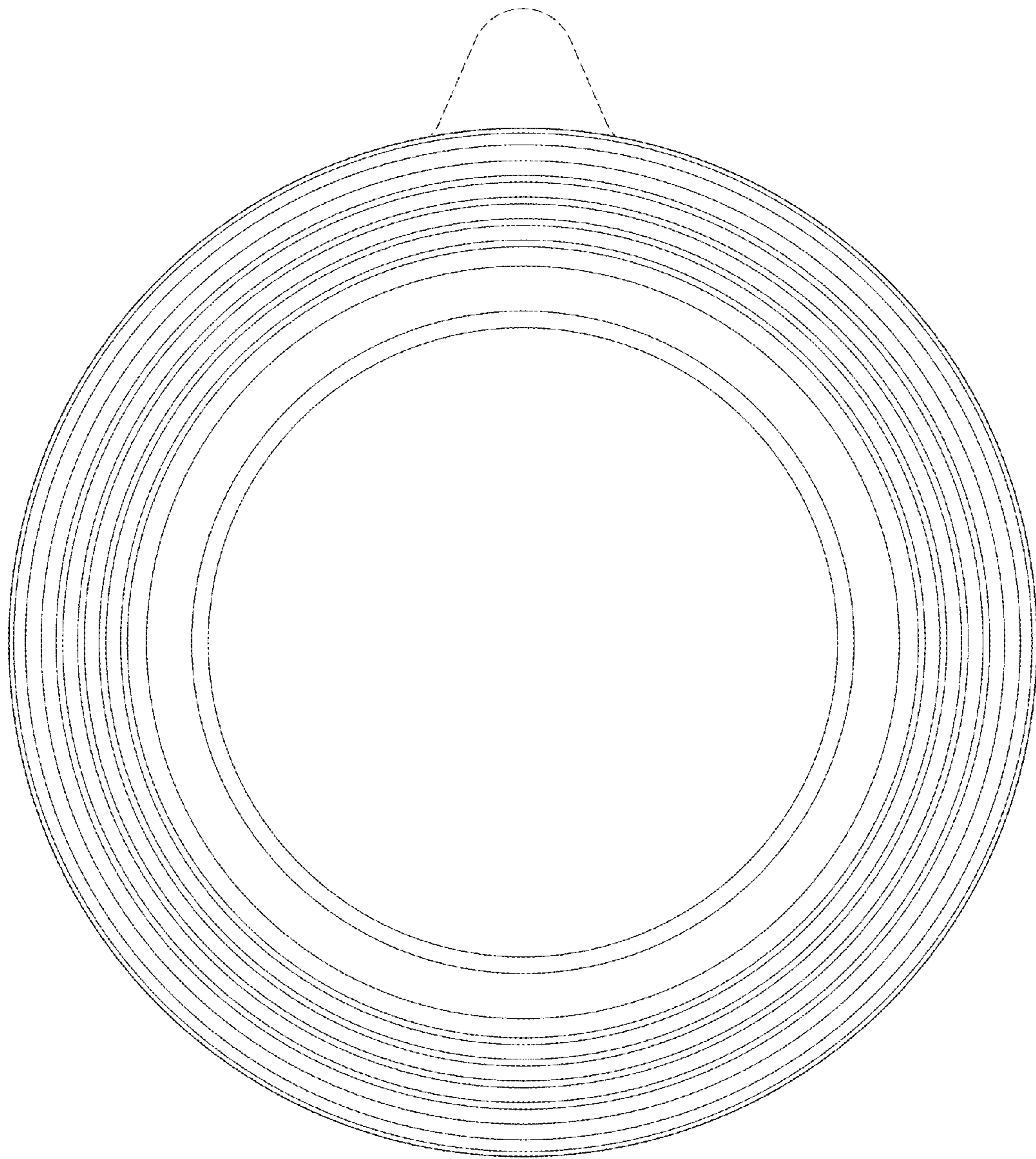


FIG. 7

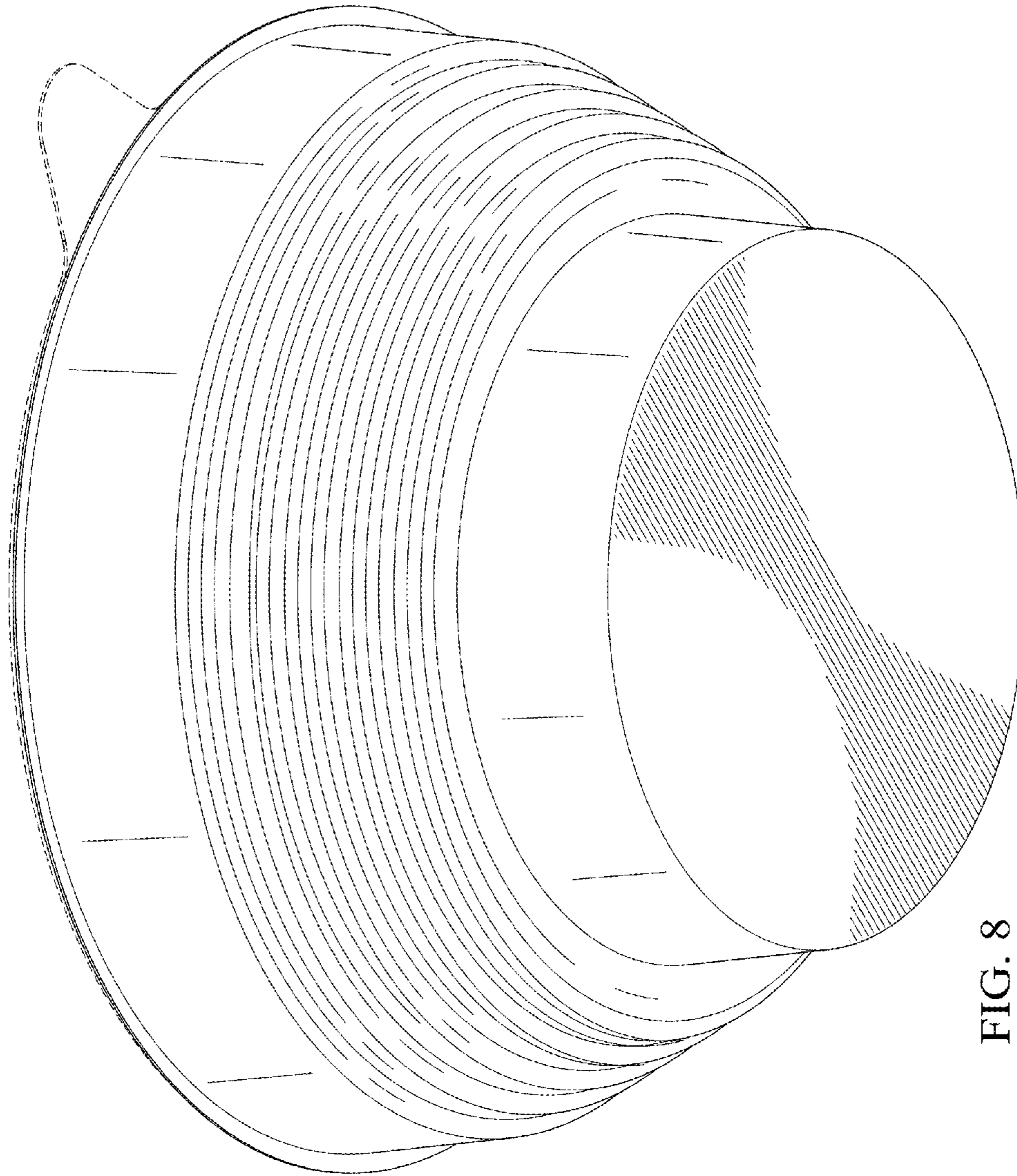


FIG. 8

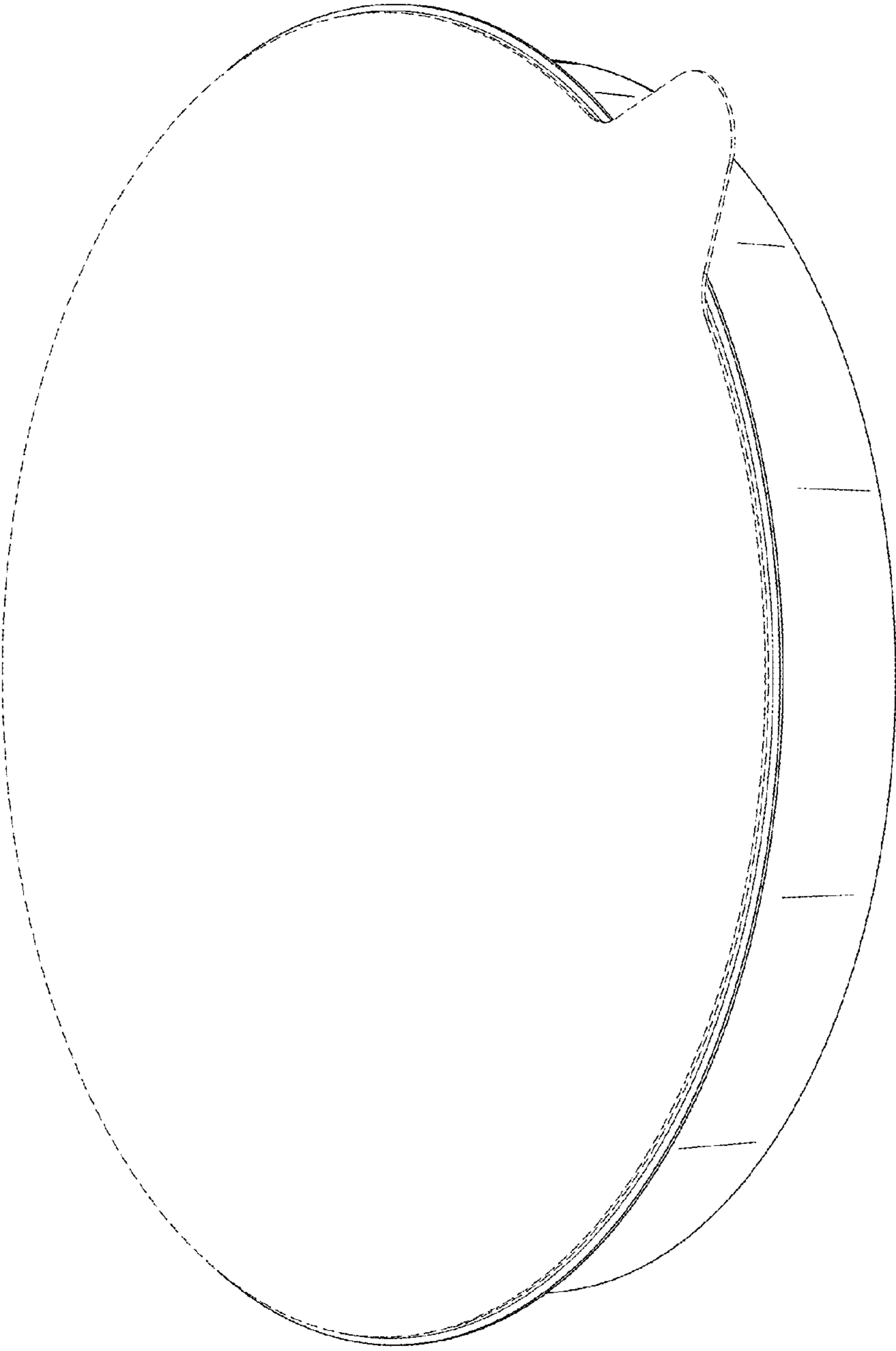


FIG. 9

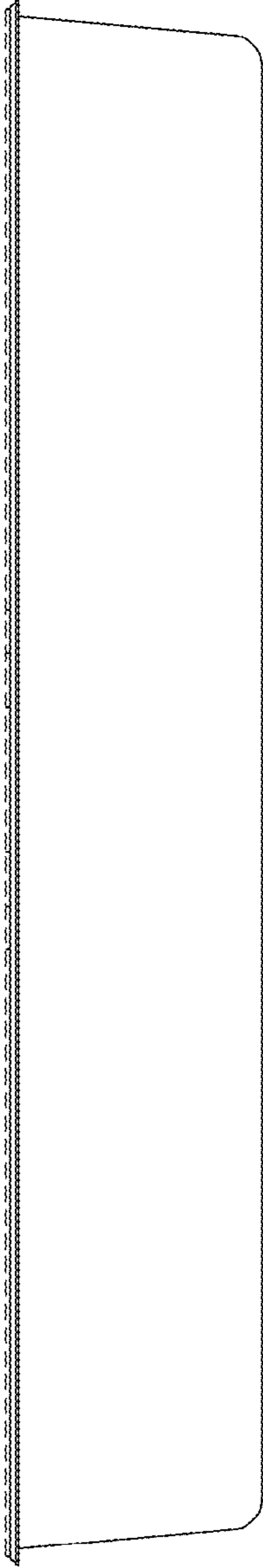


FIG. 10

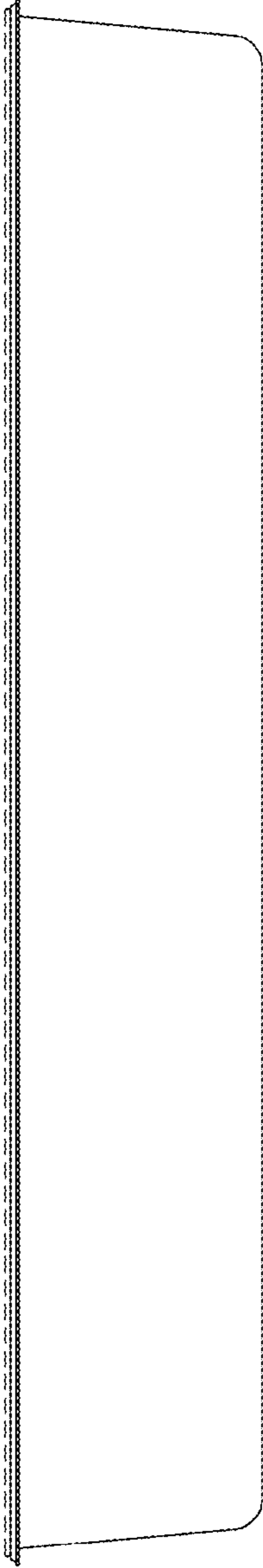


FIG. 11

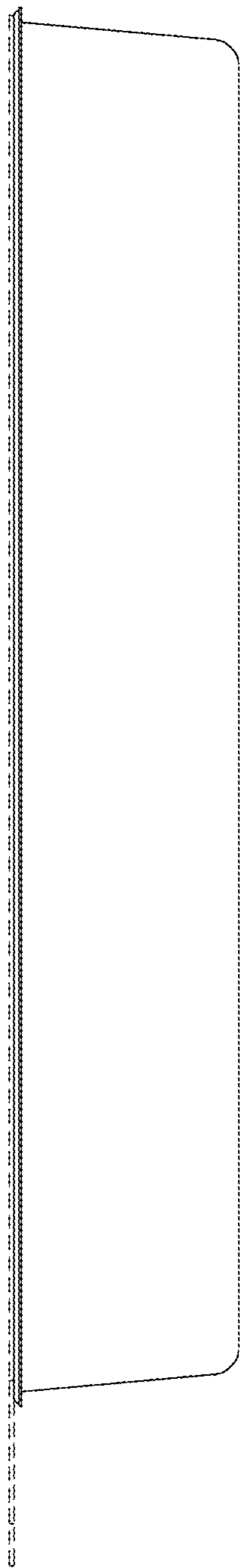


FIG. 12

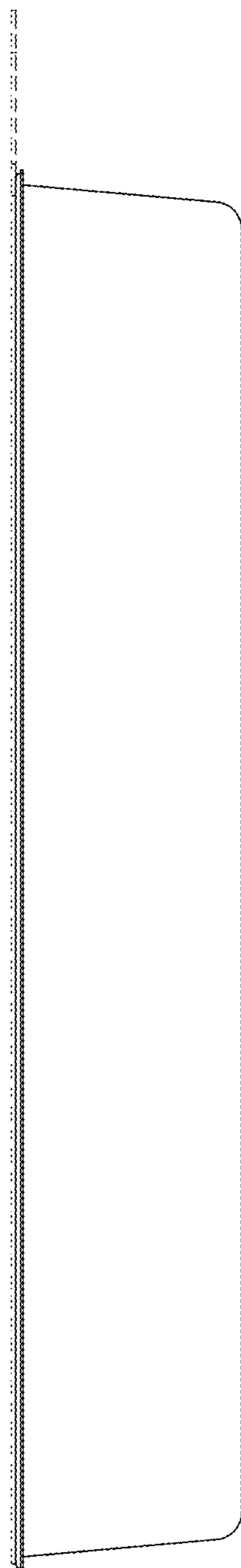


FIG. 13

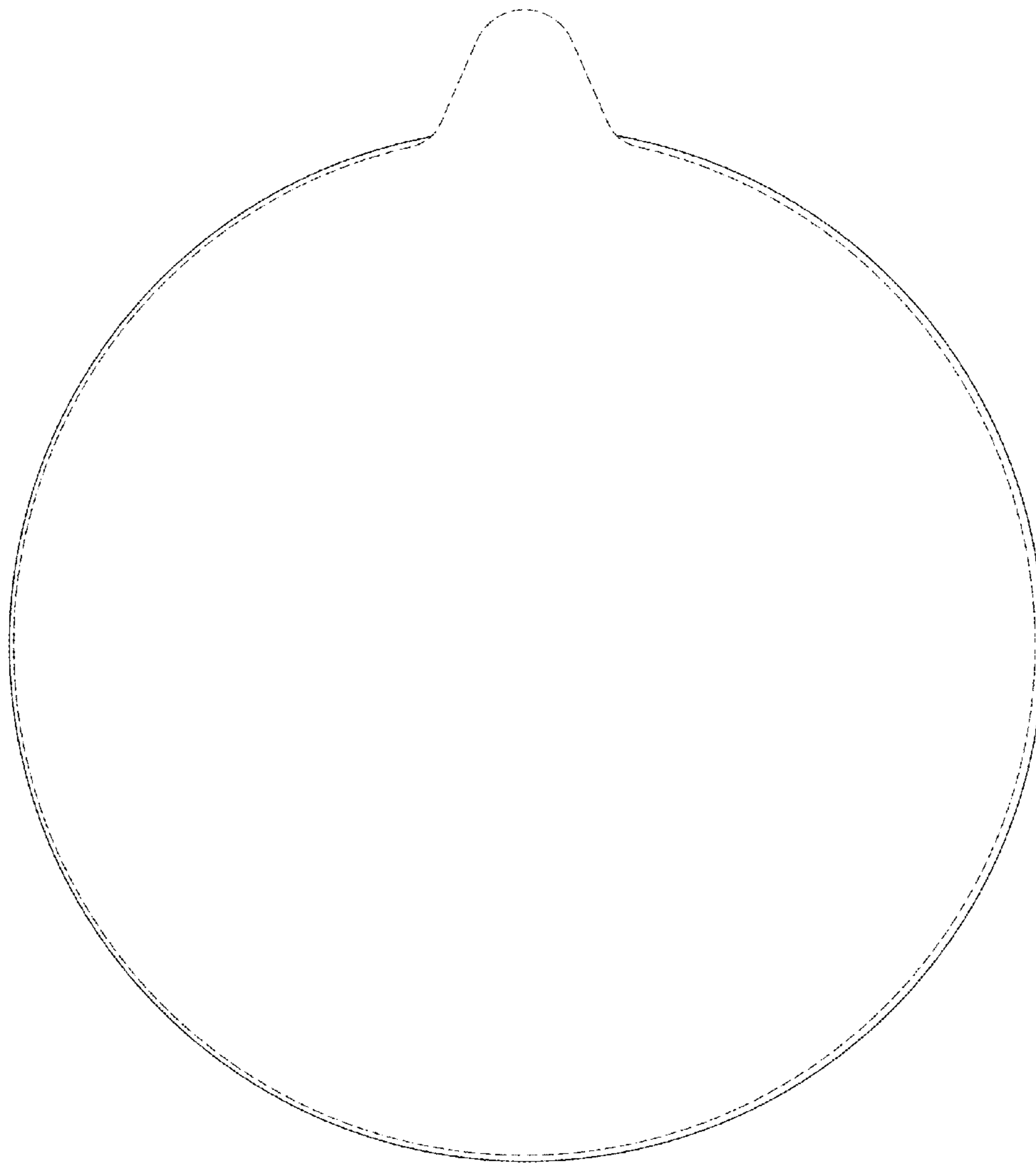


FIG. 14

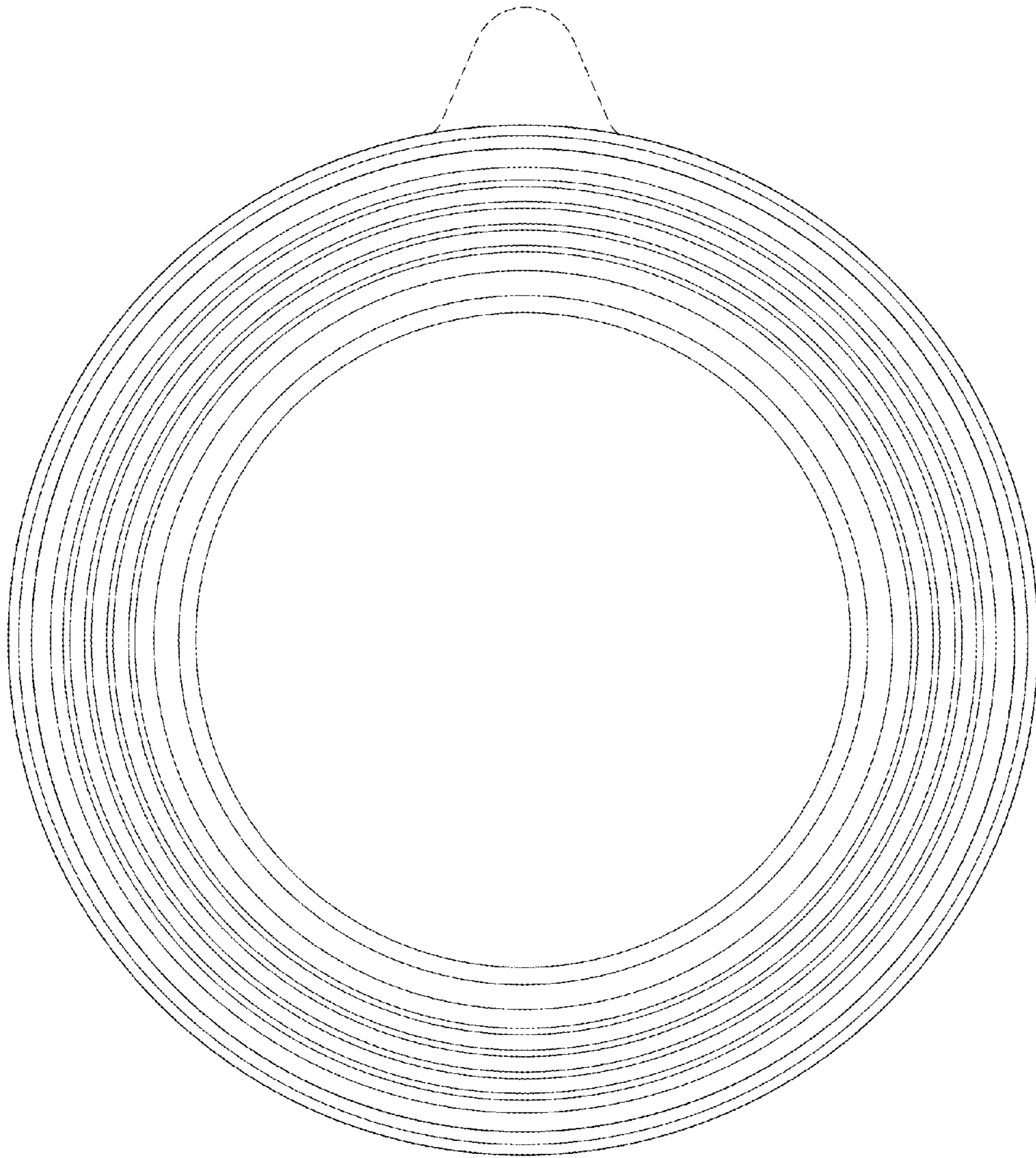


FIG. 15

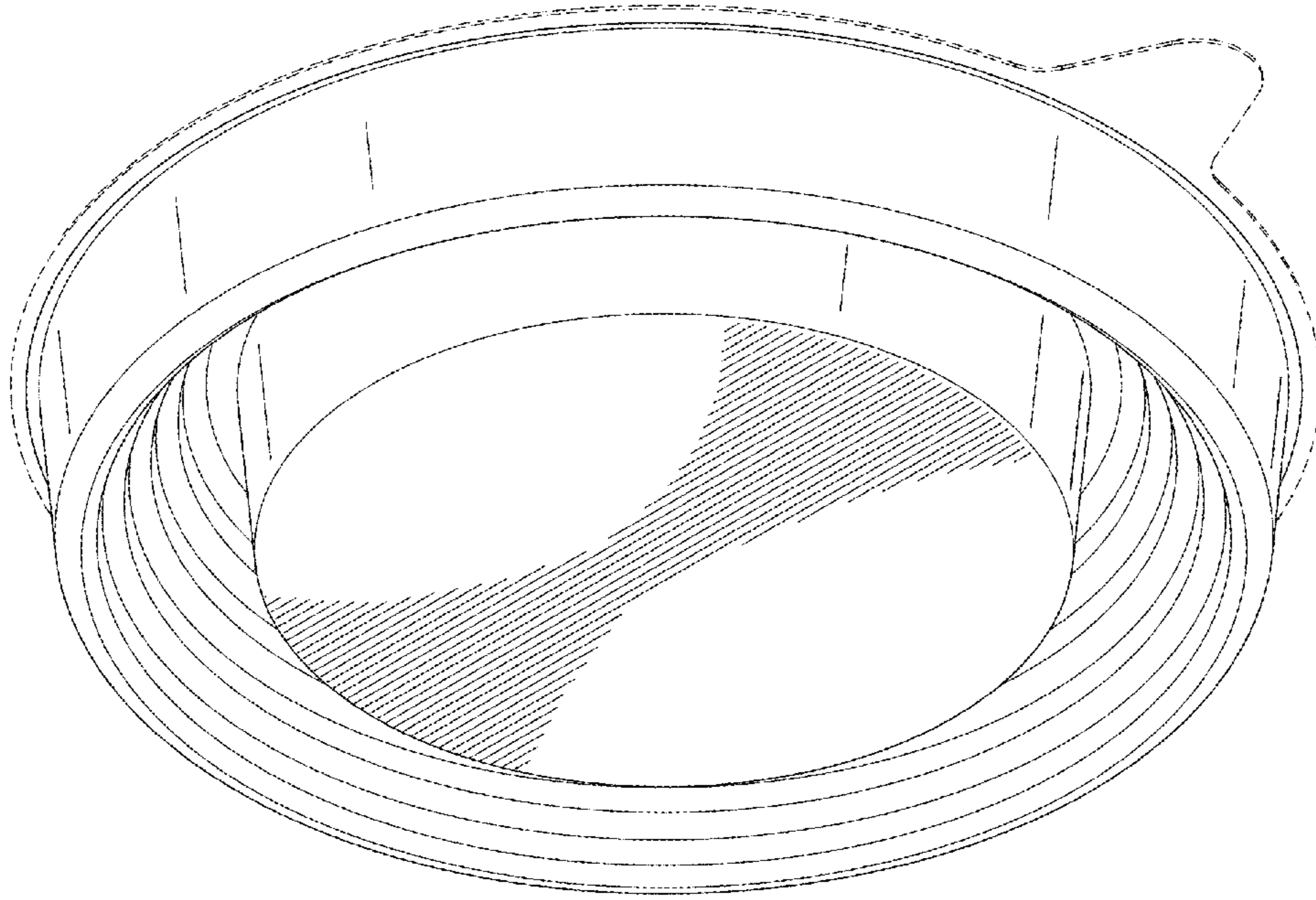


FIG. 16