



US00D733552S

(12) **United States Design Patent**  
**Whalen, Jr. et al.**

(10) **Patent No.:** **US D733,552 S**  
(45) **Date of Patent:** **\*\* Jul. 7, 2015**

- (54) **PACKAGE**
- (71) Applicant: **GlaxoSmithKline, LLC**, Wilmington, DE (US)
- (72) Inventors: **Lawrence M. Whalen, Jr.**, Parsippany, NJ (US); **Michele Hook**, Pittsburgh, PA (US)
- (73) Assignee: **GlaxoSmithKline, LLC**, Wilmington, DE (US)
- (\*\*) Term: **14 Years**
- (21) Appl. No.: **29/484,412**
- (22) Filed: **Mar. 10, 2014**

- D606,392 S 12/2009 Prevost
- D614,490 S 4/2010 Ouimette et al.
- D615,401 S \* 5/2010 Ouimette et al. .... D9/457
- D621,719 S \* 8/2010 Caldwell et al. .... D9/707
- D627,217 S \* 11/2010 Marcinkowski et al. .... D9/415
- D629,680 S 12/2010 Sondors
- D634,643 S \* 3/2011 Caldwell et al. .... D9/707
- D646,567 S \* 10/2011 Graham et al. .... D9/434
- D662,811 S \* 7/2012 Marcinkowski .... D9/415

\* cited by examiner

*Primary Examiner* — Holly Baynham

*Assistant Examiner* — Rhea Shields

(74) *Attorney, Agent, or Firm* — Joshua C. Sanders; Theodore R. Furman

(57) **CLAIM**

The ornamental design for a package, as shown and described.

**Related U.S. Application Data**

- (63) Continuation of application No. 29/461,412, filed on Jul. 23, 2013, now Pat. No. Des. 704,048, which is a continuation of application No. 29/390,771, filed on Apr. 29, 2011, now Pat. No. Des. 692,295.
- (51) **LOC (10) Cl.** ..... **09-03**
- (52) **U.S. Cl.**  
USPC ..... **D9/415**
- (58) **Field of Classification Search**  
USPC ..... D9/418, 415, 501, 753, 742, 739, 722,  
D9/414, 424, 425, 428, 740, 741, 732, 756,  
D9/759, 432; D3/203.3, 264; D24/218,  
D24/226; D28/83  
See application file for complete search history.

**DESCRIPTION**

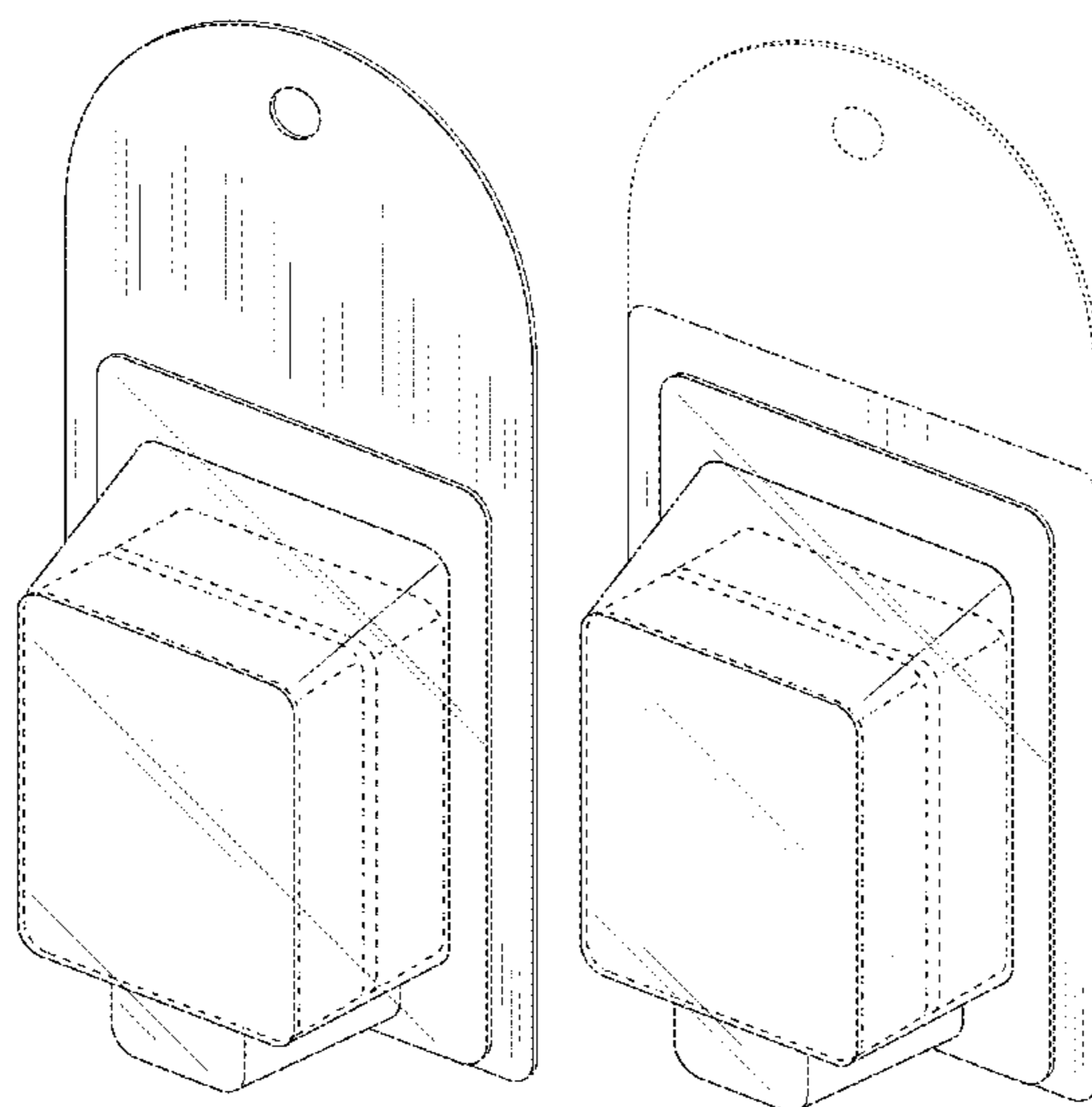
FIG. 1 is a perspective view of a package according to a first embodiment;  
 FIG. 2 is a front view thereof;  
 FIG. 3 is a back view thereof;  
 FIG. 4 is a left side view thereof;  
 FIG. 5 is a right side view thereof;  
 FIG. 6 is a top view thereof;  
 FIG. 7 is a bottom view thereof;  
 FIG. 8 is a perspective view of a package according to a second;  
 FIG. 9 is a front view thereof;  
 FIG. 10 is a back view thereof;  
 FIG. 11 is a left side view thereof;  
 FIG. 12 is a right side view thereof;  
 FIG. 13 is a top view thereof; and,  
 FIG. 14 is a bottom view thereof.  
 In the drawings, the broken lines are for the purpose of illustrating environment only and form no part of the claimed design.

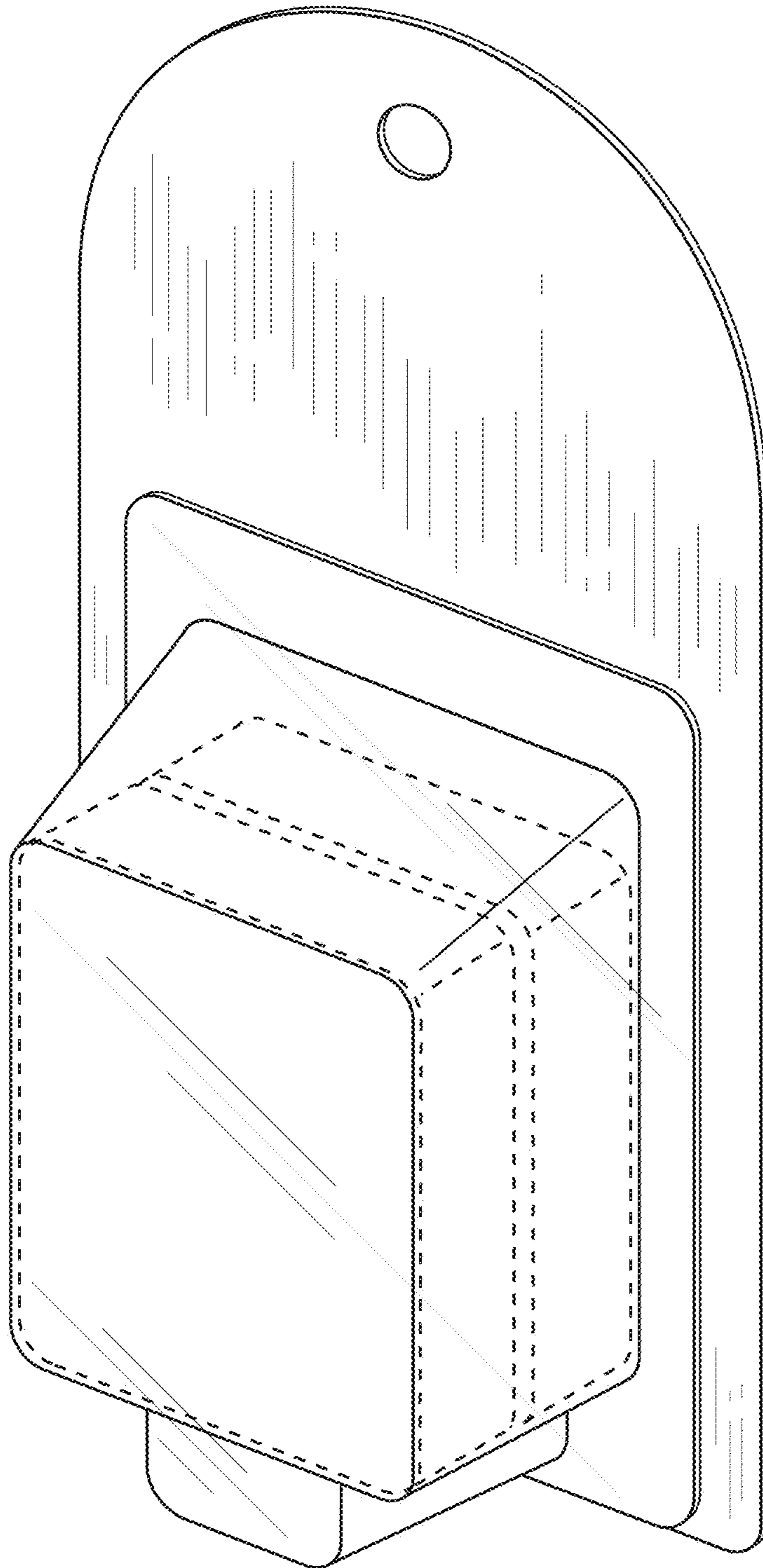
(56) **References Cited**

**U.S. PATENT DOCUMENTS**

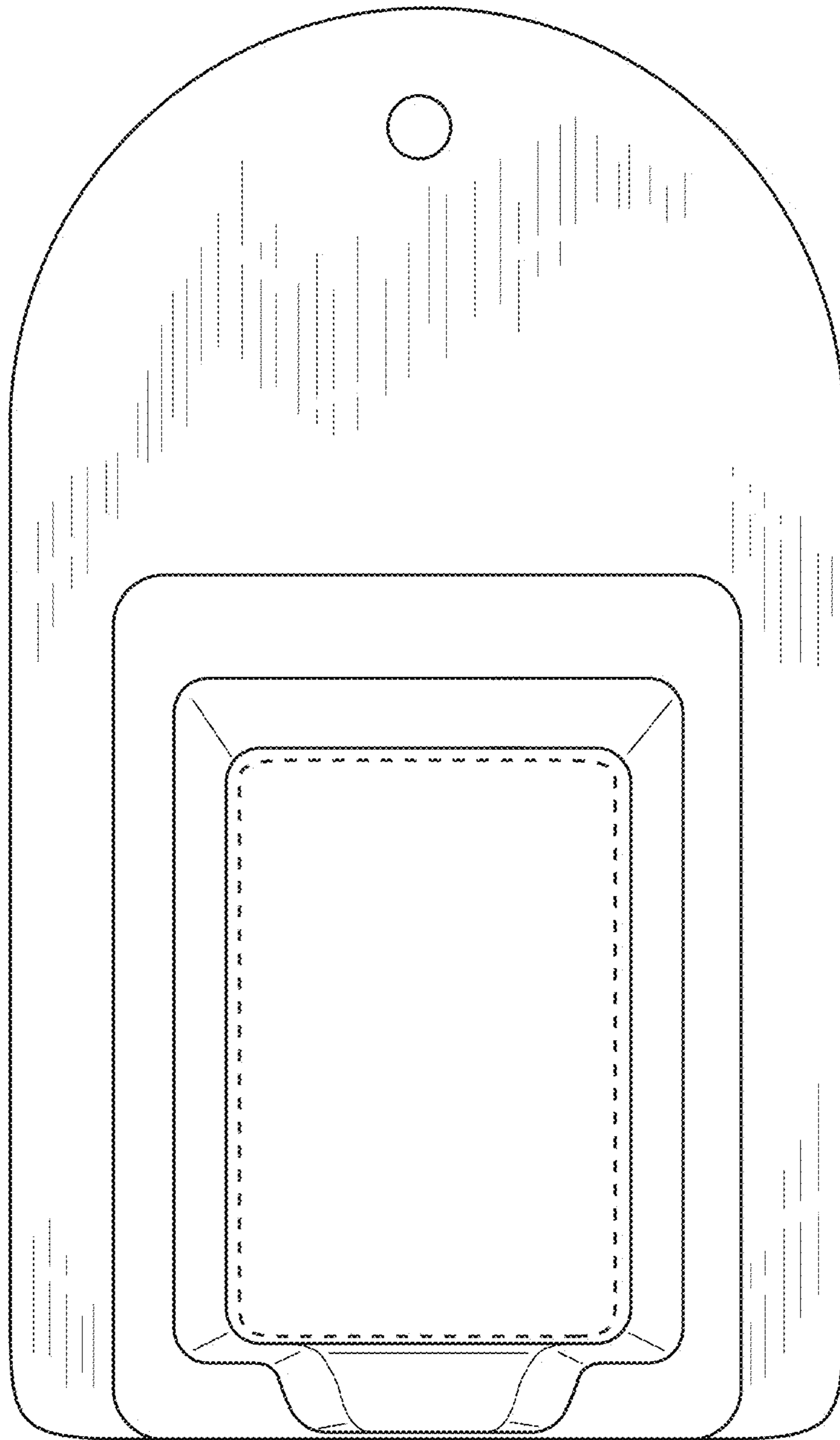
- D485,491 S 1/2004 Kyne et al.
- D494,465 S 8/2004 Kyne et al.
- D496,268 S 9/2004 Stamm et al.
- D503,334 S \* 3/2005 Keating ..... D9/415
- D565,403 S \* 4/2008 Caine et al. .... D9/415

**1 Claim, 10 Drawing Sheets**

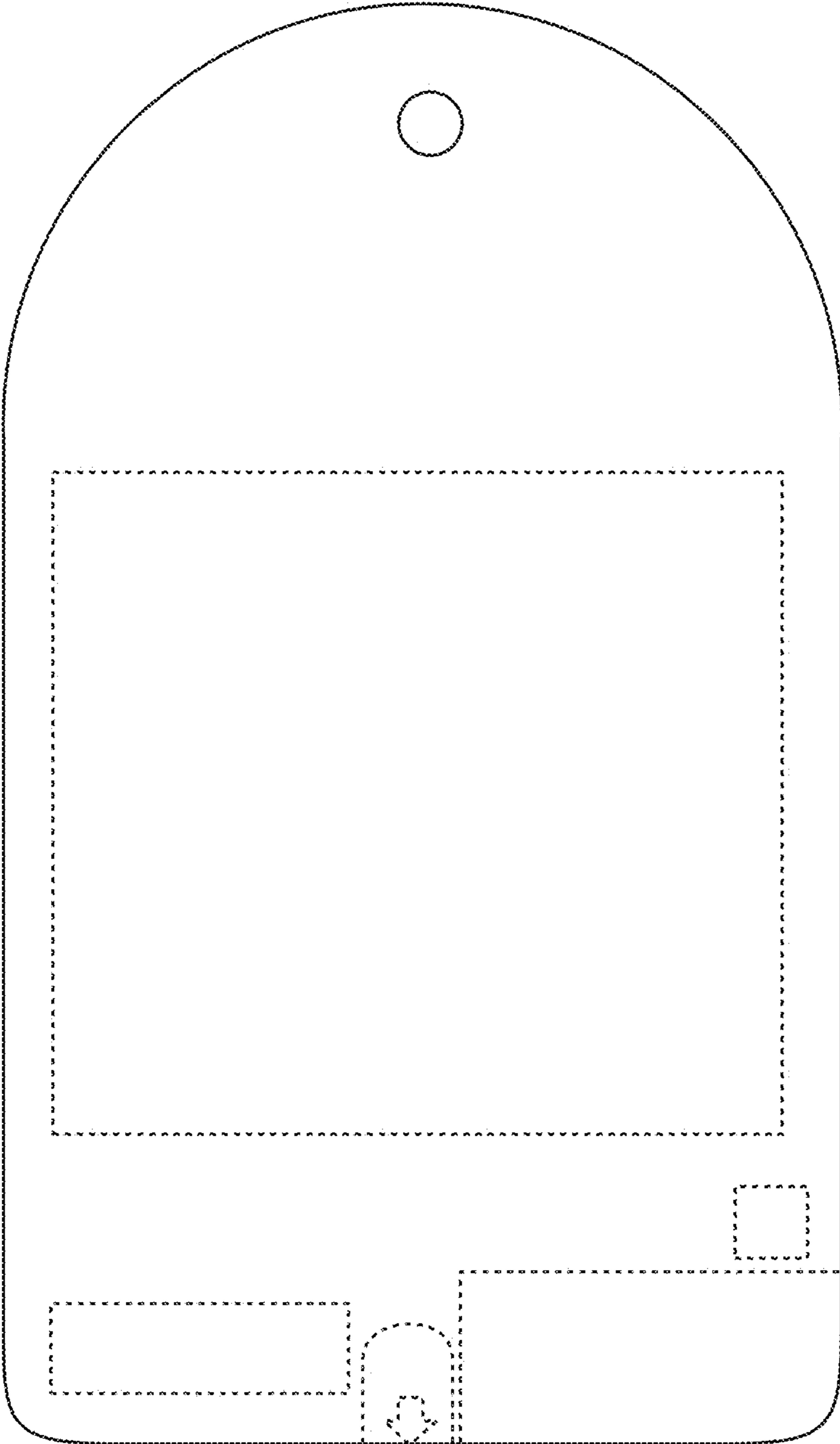




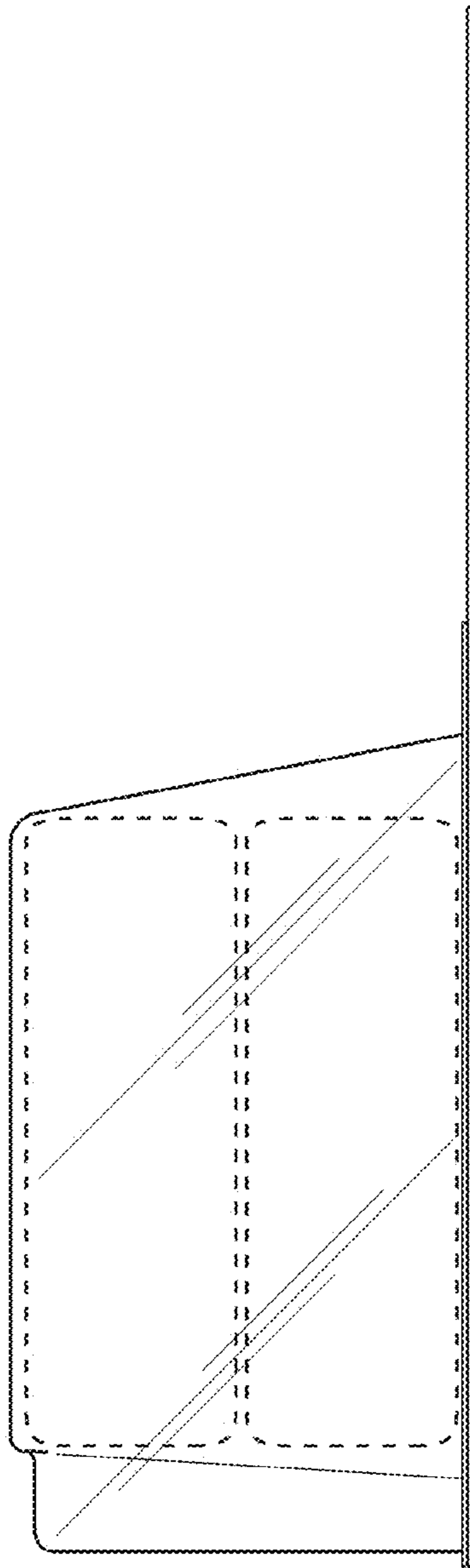
**FIG. 1**



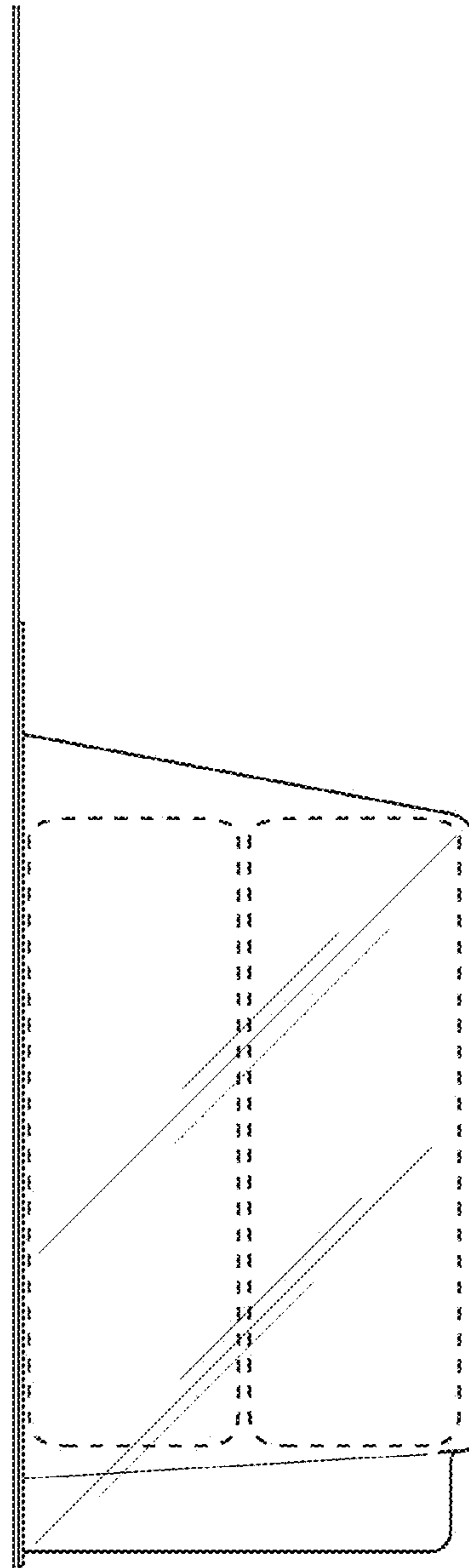
**FIG. 2**



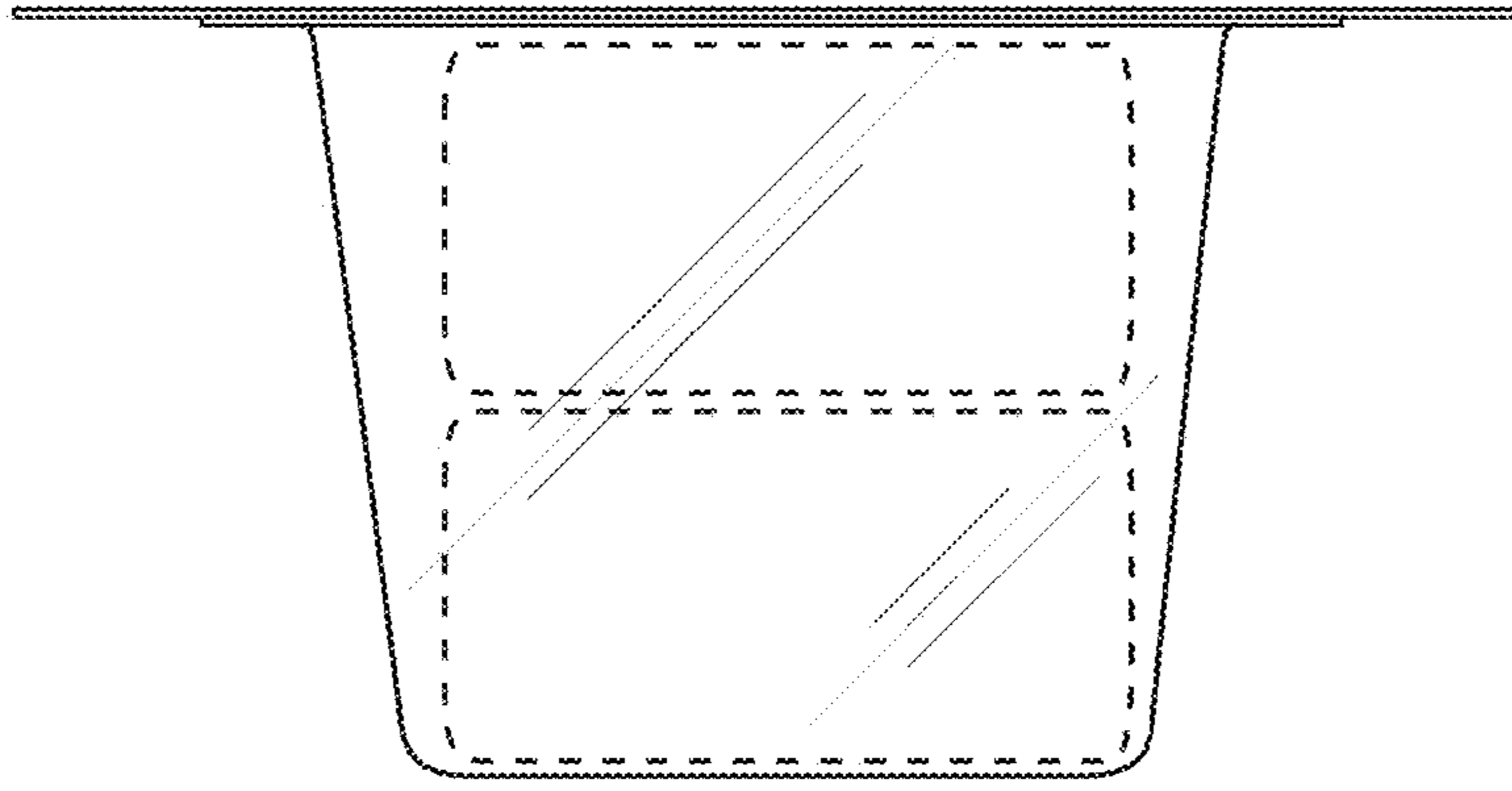
**FIG. 3**



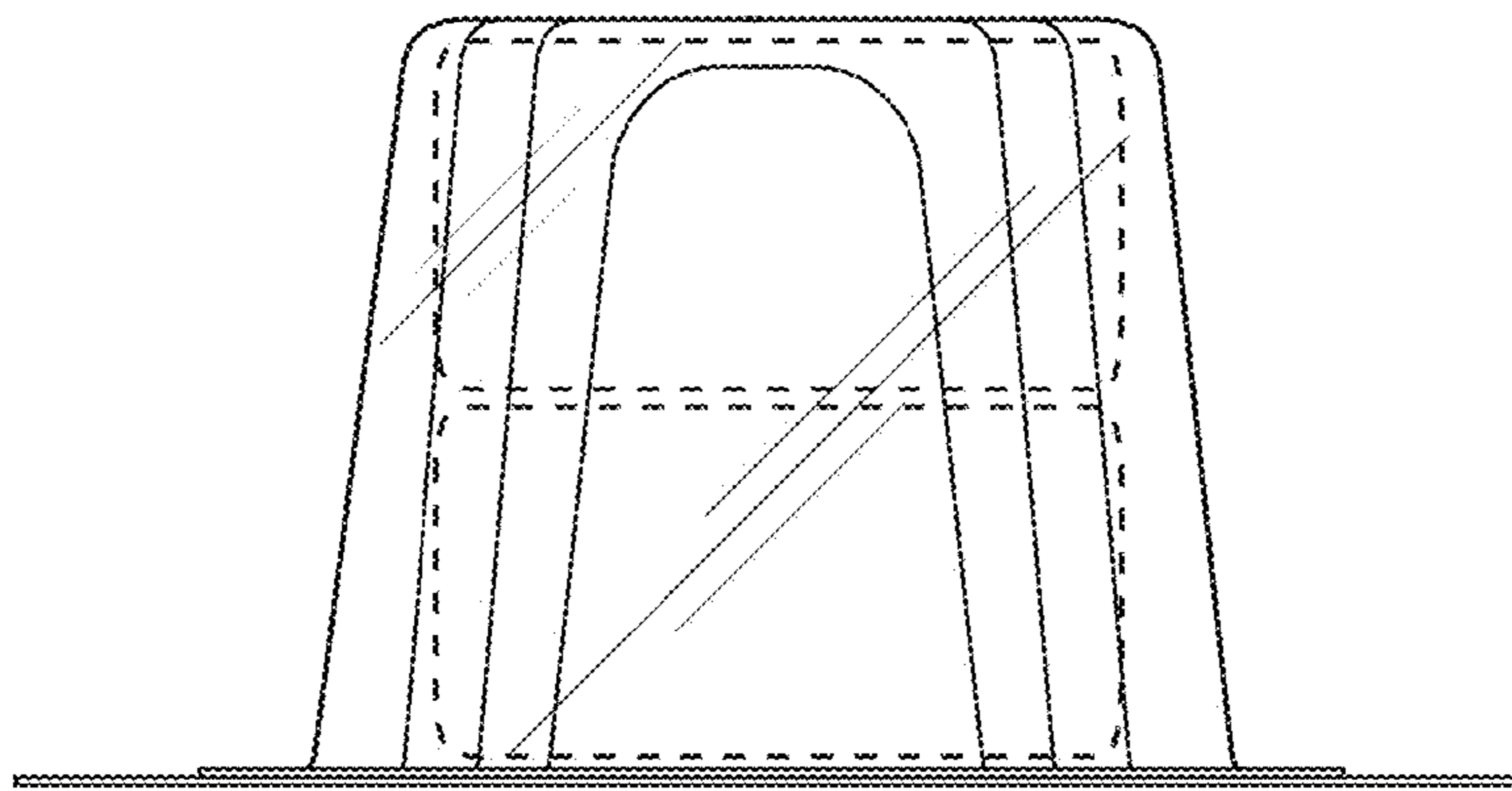
**FIG. 4**



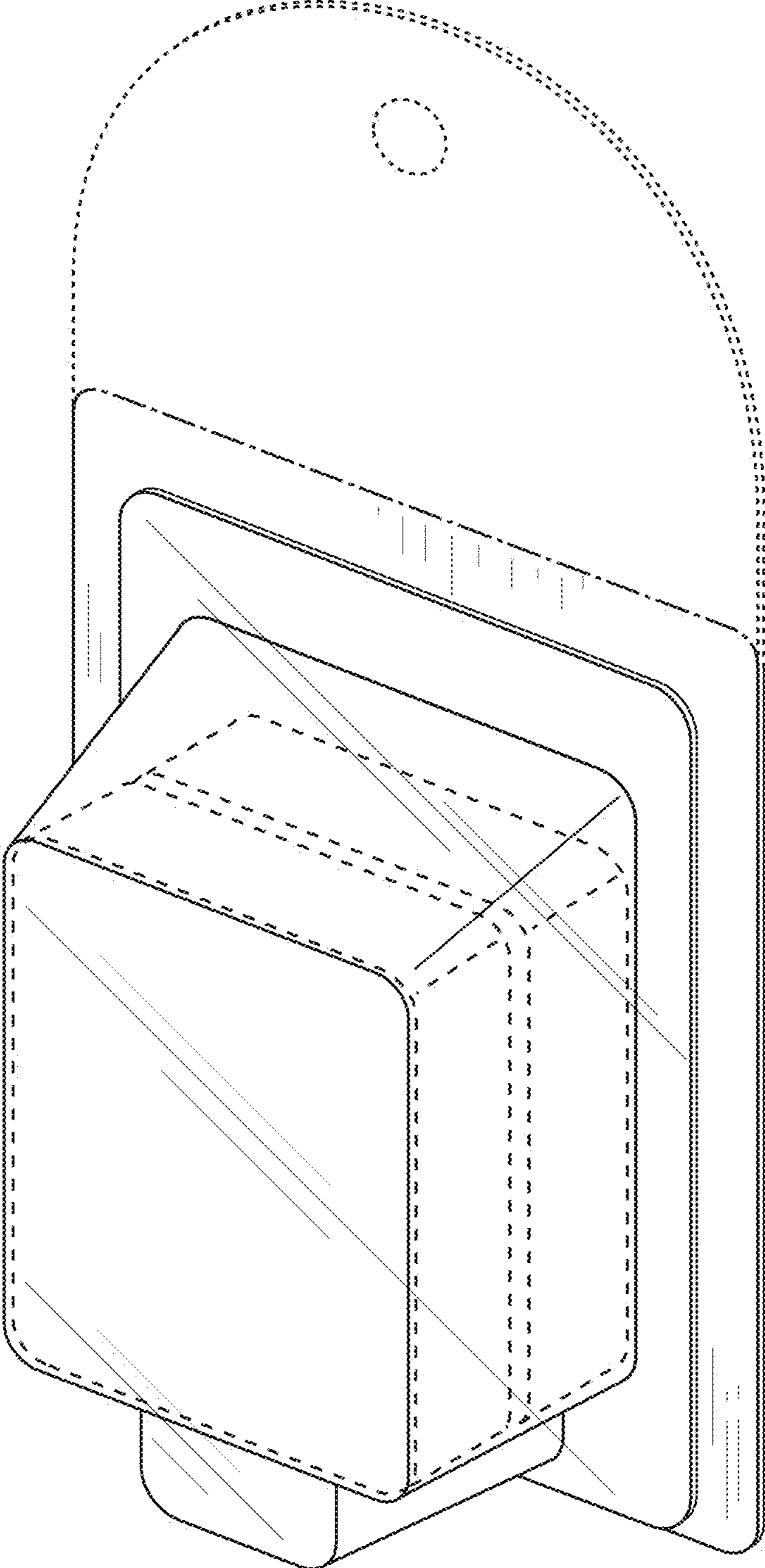
**FIG. 5**



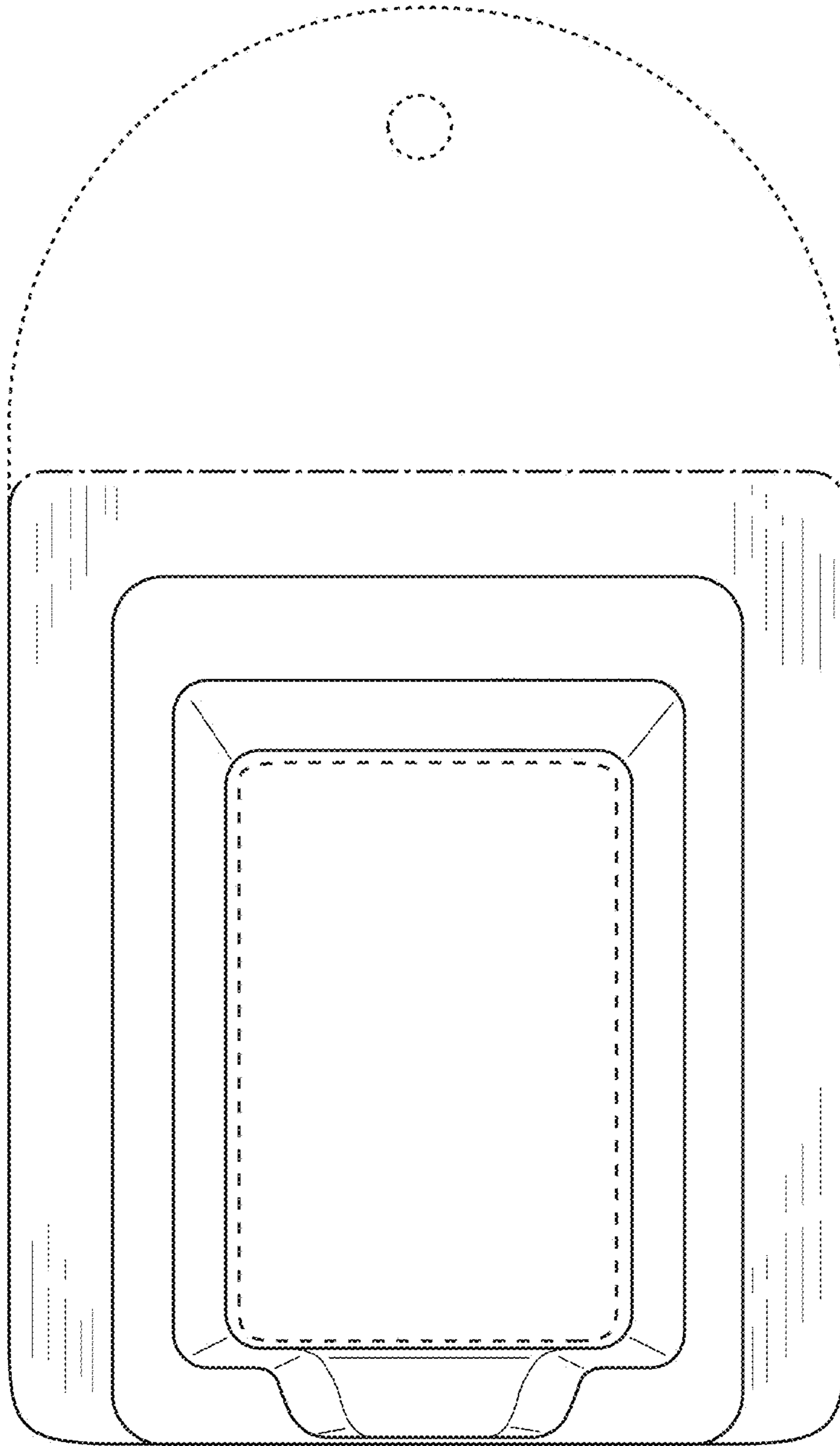
**FIG. 6**



**FIG. 7**

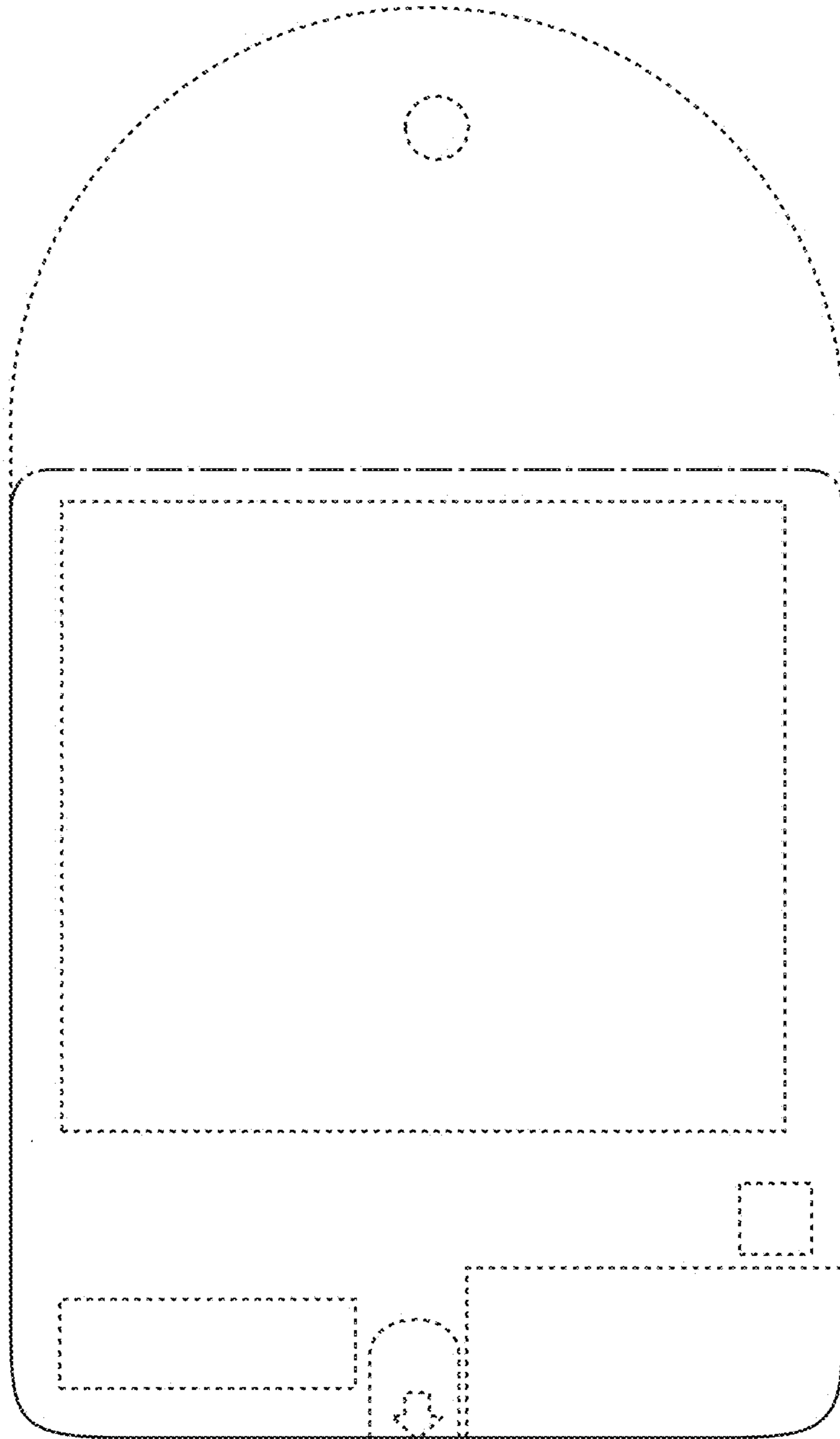


**FIG. 8**

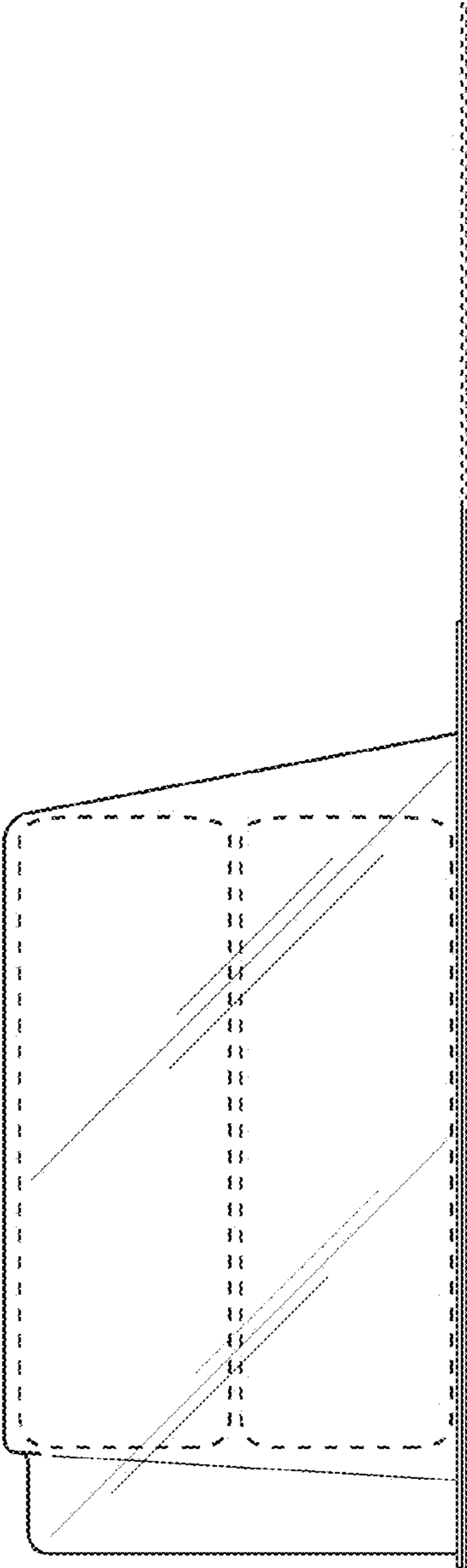


**FIG. 9**

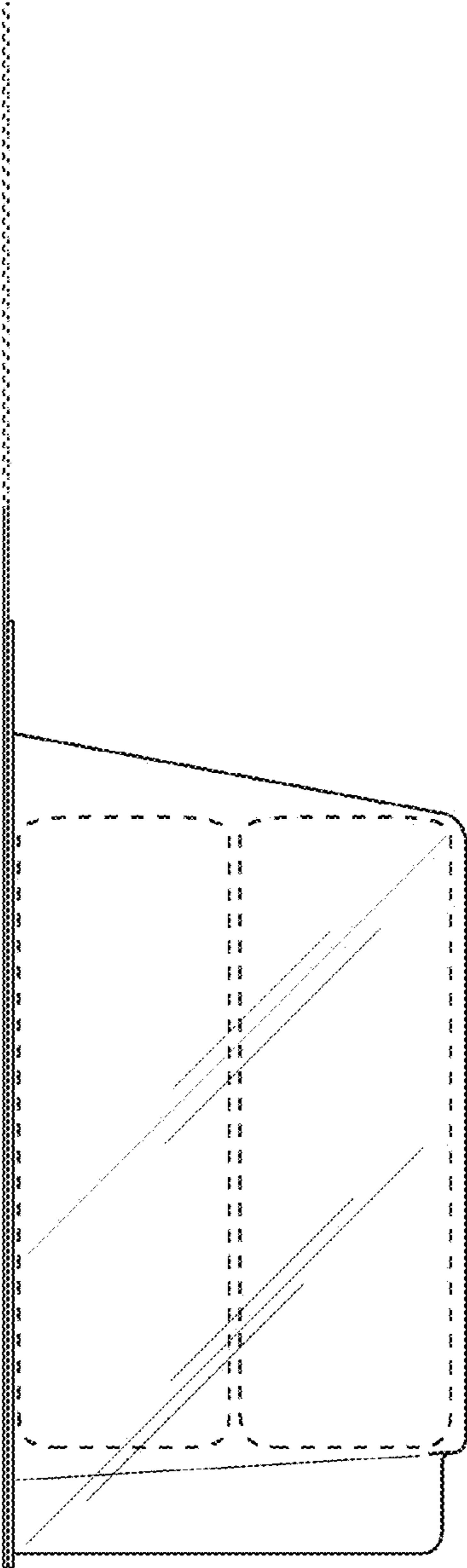




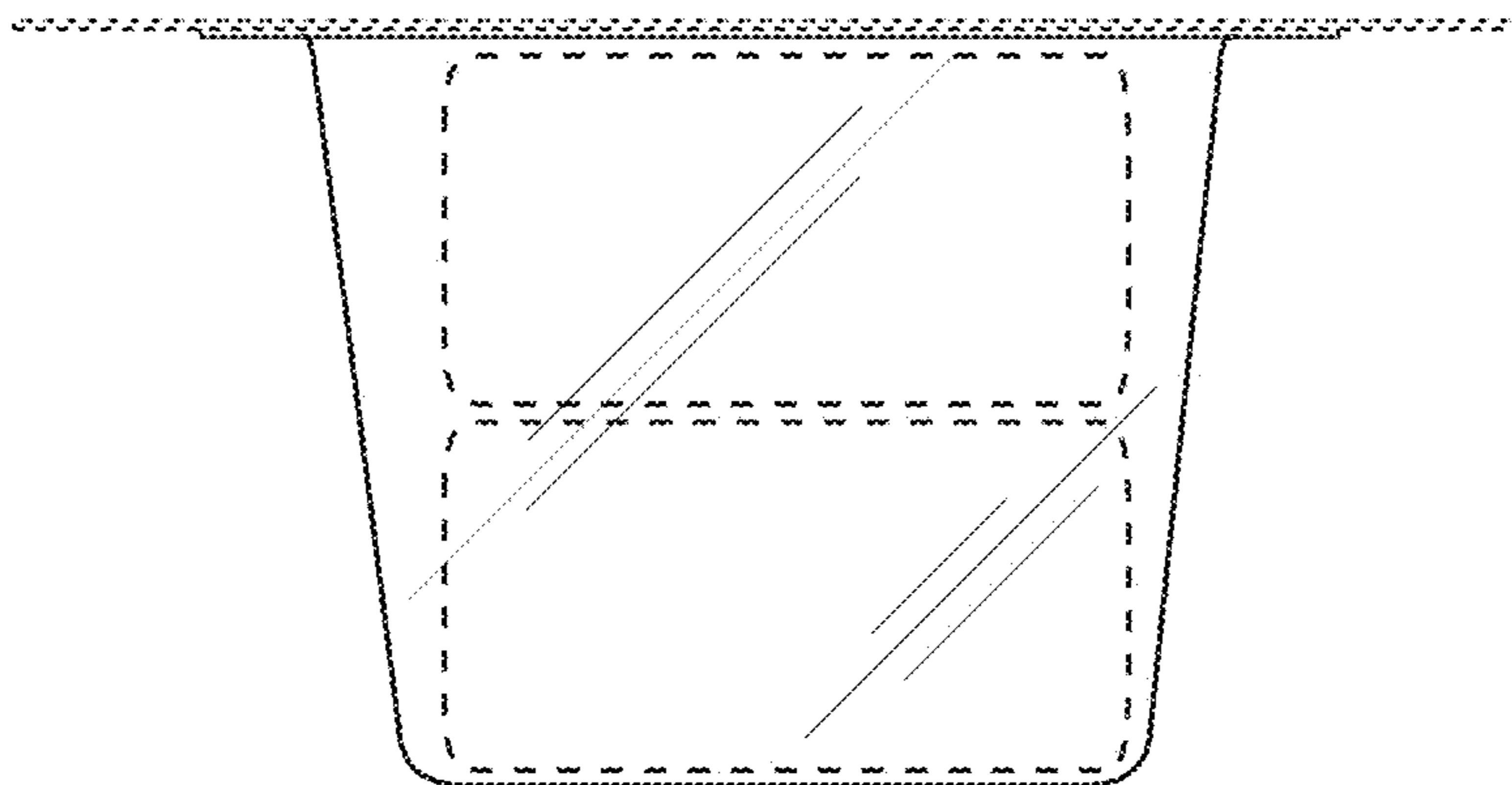
**FIG. 10**



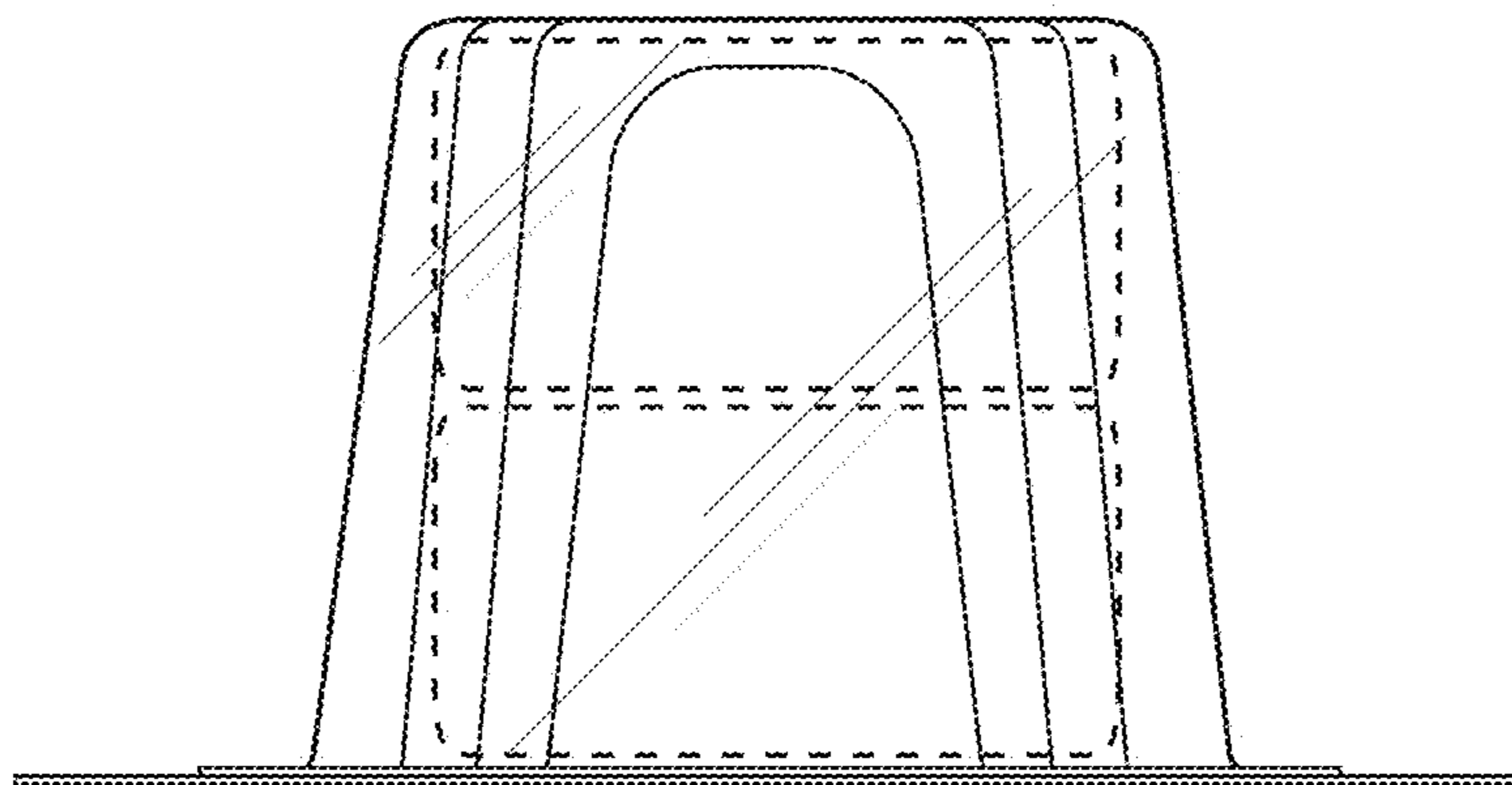
**FIG. 11**



**FIG. 12**



**FIG. 13**



**FIG. 14**