

US00D733551S

(12) **United States Design Patent**
St. Rose

(10) **Patent No.:** **US D733,551 S**
(45) **Date of Patent:** **** Jul. 7, 2015**

(54) **PAINT BRUSH PROTECTIVE COVER**

(71) Applicant: **Felix St. Rose**, Toronto (CA)

(72) Inventor: **Felix St. Rose**, Toronto (CA)

(**) Term: **14 Years**

(21) Appl. No.: **29/502,331**

(22) Filed: **Sep. 15, 2014**

(51) **LOC (10) Cl.** **09-03**

(52) **U.S. Cl.**

USPC **D9/414**

(58) **Field of Classification Search**

USPC D9/414, 455, 457, 415, 624, 422, 434;
D2/606, 607; D4/199; 206/295, 369,
206/361, 349, 5; D24/113; D6/682.3;
211/70.6

CPC B65D 85/18; B44D 3/125; A61C 19/02;
B25H 3/006; B25H 3/04; A47L 15/4445

See application file for complete search history.

(56) **References Cited**

U.S. PATENT DOCUMENTS

2,506,954	A	5/1950	First	
3,981,399	A	9/1976	Crouch	
D273,277	S *	4/1984	Strauss	D9/415
4,751,762	A	6/1988	Meimeteas	
D305,302	S *	1/1990	Beatrice et al.	D9/415
D364,342	S *	11/1995	Ruff	D9/415
5,465,453	A	11/1995	Landmeier	
D376,312	S *	12/1996	Cahn et al.	D9/415
5,791,608	A	8/1998	Nielsen et al.	
D401,765	S	12/1998	Soutullo	
D438,462	S *	3/2001	Nichol	D9/415
6,637,591	B2 *	10/2003	Chen	206/349
D496,265	S *	9/2004	Dossett et al.	D9/415
6,907,988	B2	6/2005	Jimenez	
6,932,217	B1	8/2005	Bailey	
D519,364	S *	4/2006	Kopp et al.	D9/415
7,055,680	B2 *	6/2006	Liebers	206/5
7,207,437	B1	4/2007	Johansson	

D543,104	S *	5/2007	Frederiksen	D9/422
7,219,807	B2 *	5/2007	Kao	211/70.6
D545,675	S *	7/2007	Liebers	D9/434
D558,984	S *	1/2008	Phillips et al.	D4/199
D559,549	S *	1/2008	Phillips et al.	D4/199
D565,411	S *	4/2008	Burke et al.	D9/457
D584,138	S *	1/2009	Lafortezza et al.	D9/415
7,540,377	B1 *	6/2009	Krisher	206/295
D603,262	S *	11/2009	Dickinson	D9/455
D654,724	S *	2/2012	Lecoutre	D6/682.3
D656,340	S *	3/2012	Lecoutre	D6/682.3
8,157,091	B2	4/2012	Gabbard	
D666,106	S *	8/2012	Zuniga	D9/624
D666,383	S *	9/2012	Kim	D2/607
8,668,085	B1	3/2014	Oliver	
D703,542	S *	4/2014	Arcari	D9/624
D704,047	S *	5/2014	Hyma et al.	D9/415
D706,520	S *	6/2014	Kim	D2/606
D711,234	S *	8/2014	Morgan et al.	D9/457
D728,094	S *	4/2015	Kaufman	D24/113
2013/0277254	A1 *	10/2013	Hohlbein et al.	206/369
2014/0083885	A1 *	3/2014	Lee et al.	206/361

* cited by examiner

Primary Examiner — Holly Baynham

Assistant Examiner — Rhea Shields

(74) *Attorney, Agent, or Firm* — Robert C. Montgomery;
Montgomery Patent & Design

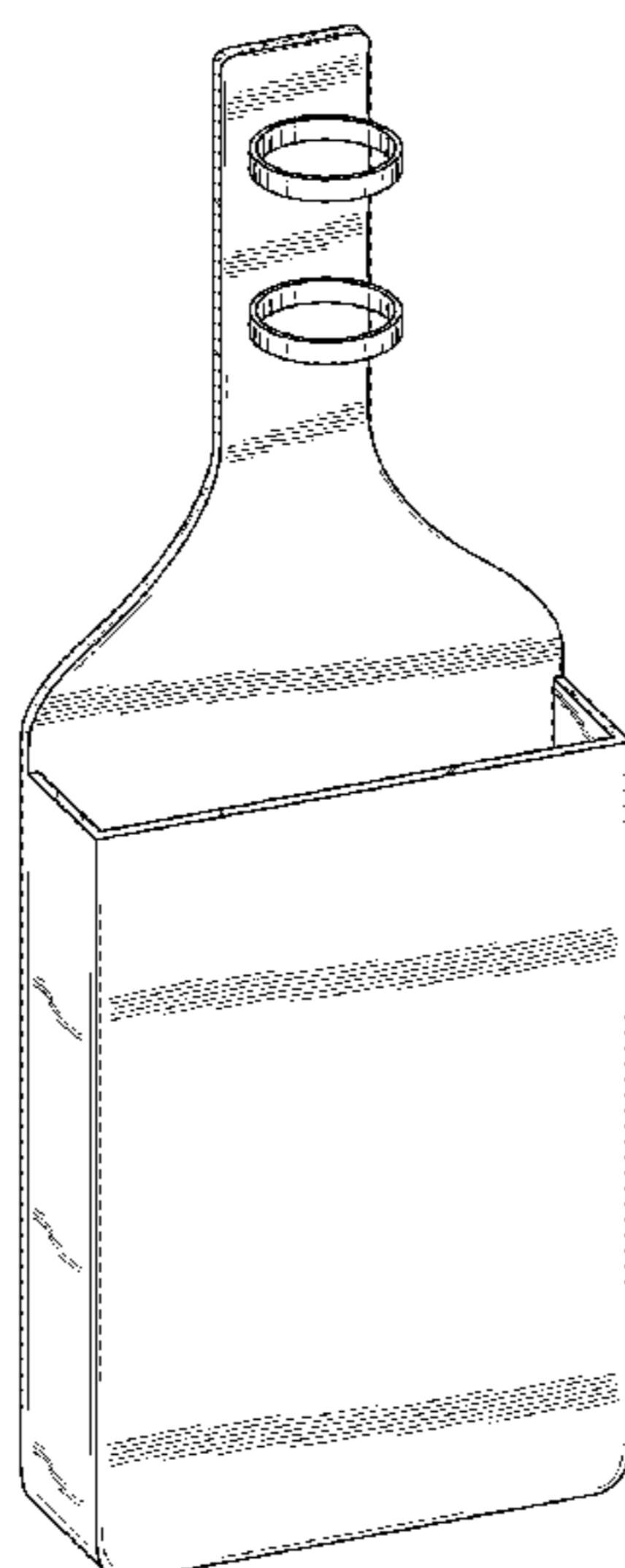
(57) **CLAIM**

The ornamental design for a paint brush protective cover, as shown and described.

DESCRIPTION

FIG. 1 is a perspective front view of the paint brush protective cover, showing my new design;
FIG. 2 is a front side view thereof;
FIG. 3 is a rear side view thereof;
FIG. 4 is a left side view with the right side view being a mirror image thereof;
FIG. 5 is a top side view thereof; and,
FIG. 6 is a bottom side view.

1 Claim, 5 Drawing Sheets



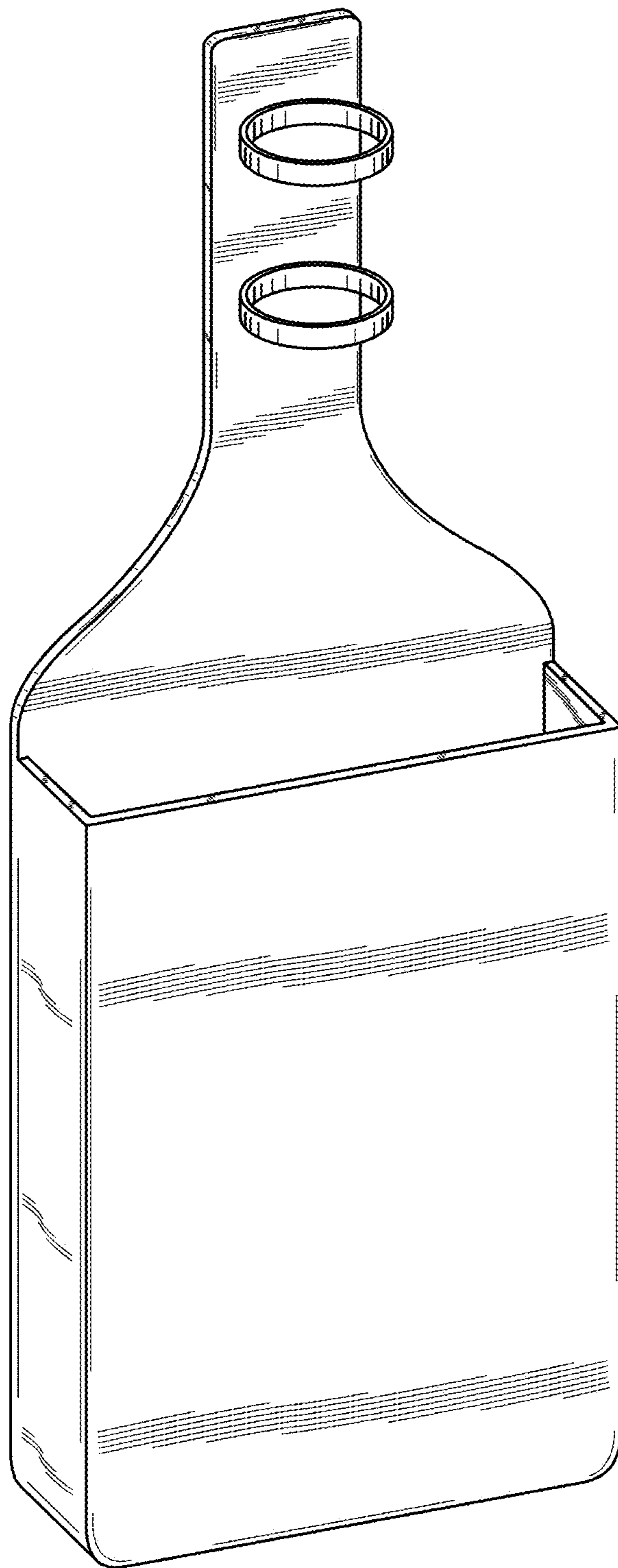


Fig. 1

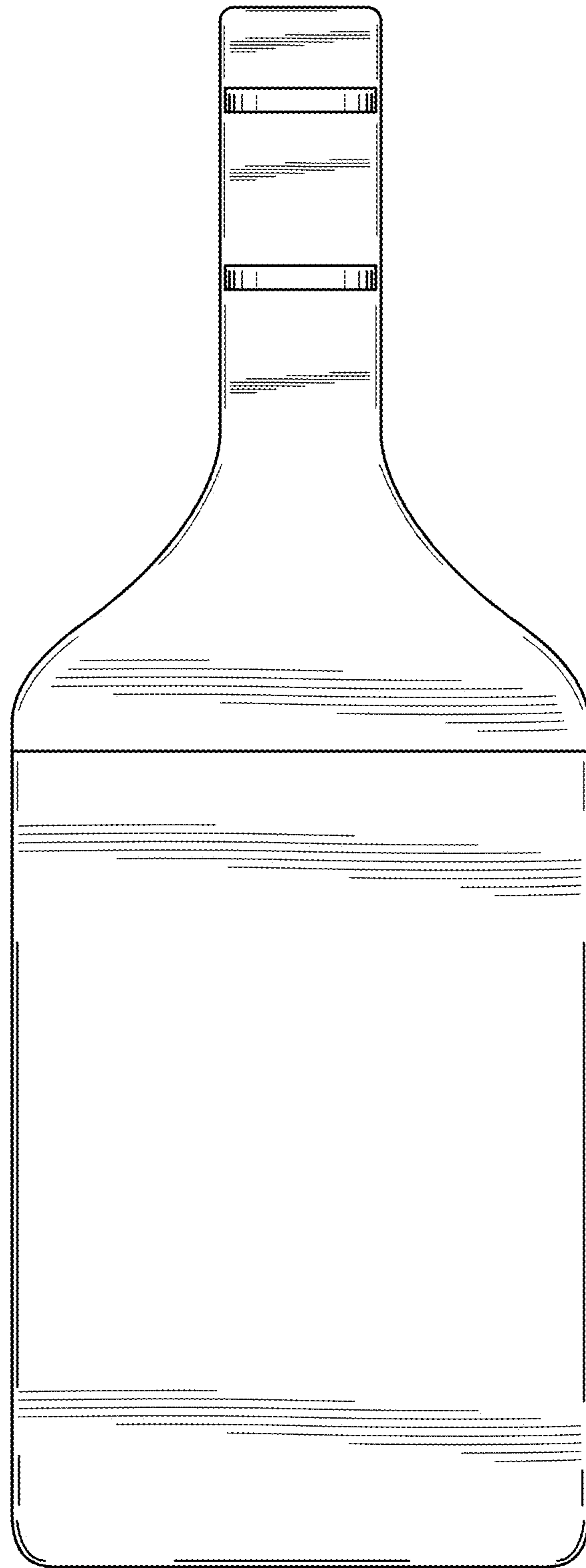


Fig. 2

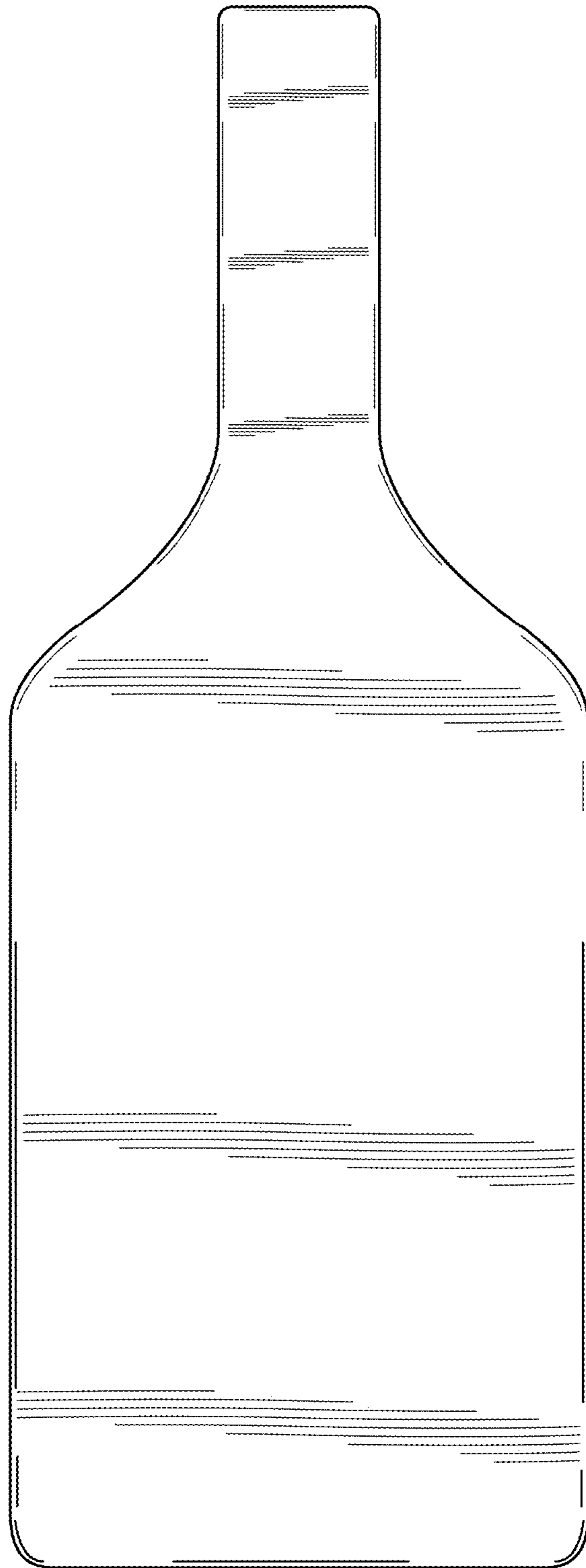


Fig. 3

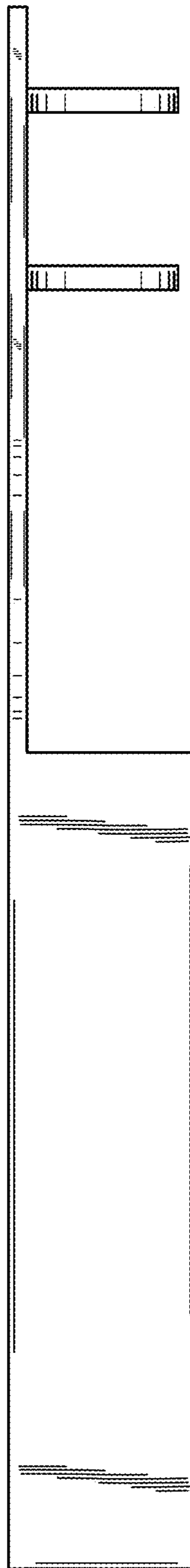


Fig. 4

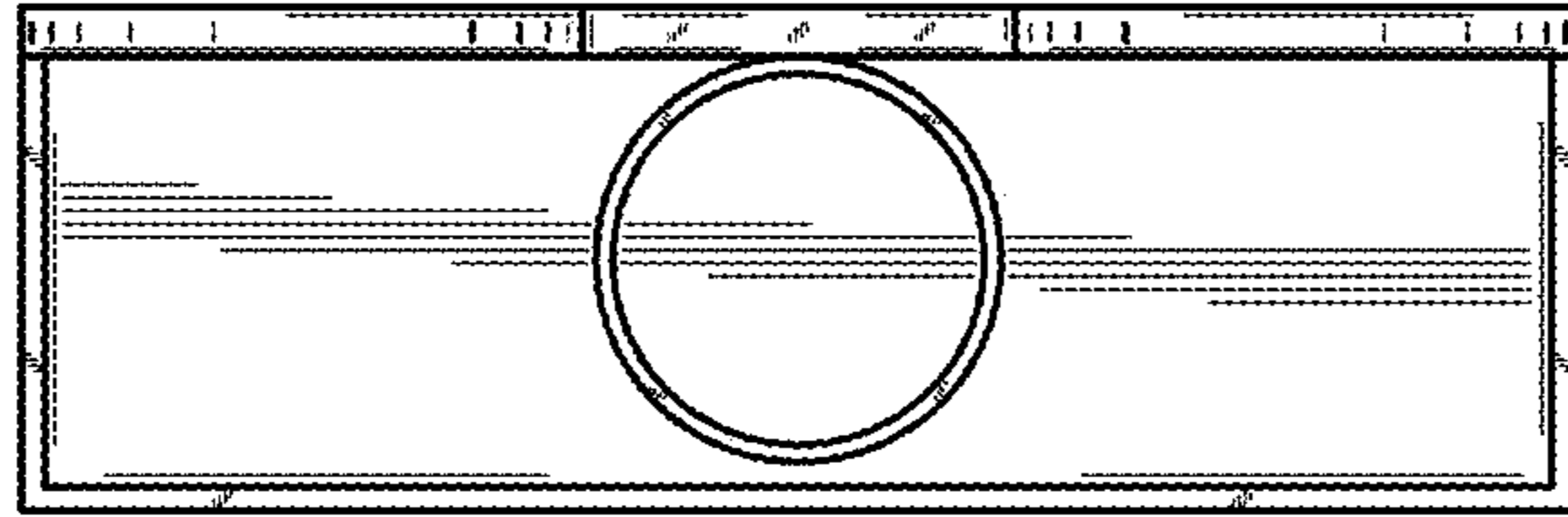


Fig. 5

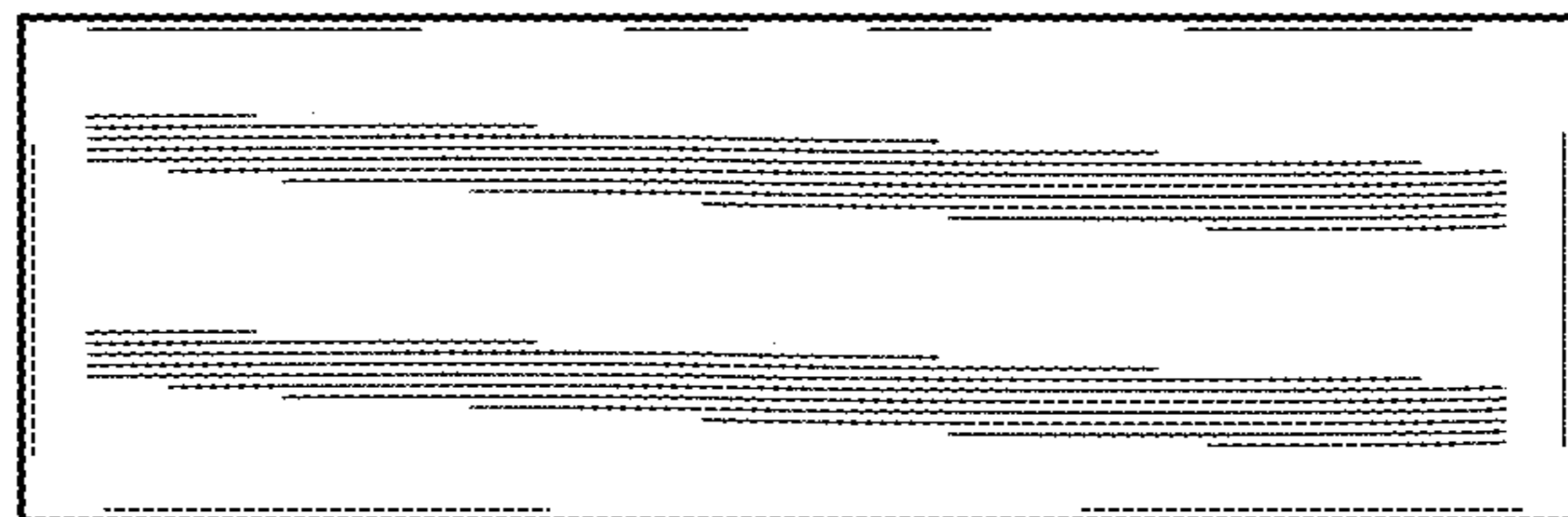


Fig. 6