



US00D733550S

(12) **United States Design Patent**
Birgers

(10) **Patent No.:** **US D733,550 S**
(45) **Date of Patent:** **** Jul. 7, 2015**

- (54) **SMARTPHONE CONTAINER**
- (71) Applicant: **Christopher J Birgers**, Cupertino, CA (US)
- (72) Inventor: **Christopher J Birgers**, Cupertino, CA (US)
- (**) Term: **14 Years**
- (21) Appl. No.: **29/473,284**
- (22) Filed: **Nov. 20, 2013**
- (51) **LOC (10) Cl.** **09-03**
- (52) **U.S. Cl.**
USPC **D9/414**
- (58) **Field of Classification Search**
USPC D9/414-420, 432, 431, 423, 430, 739, D9/434, 425, 517, 750, 721; 229/123.3, 229/123.2, 106, 108, 116.1, 207, 200, 201, 229/210, 230, 232, 122; D3/302; 206/278, 206/736, 746; D6/397
CPC .. B65D 5/706; B65D 2577/2091; B65D 5/16; B65D 5/029; B65D 77/2052; B65D 3/262; B65D 5/5435; B65D 5/703
See application file for complete search history.

| | | | | |
|----------------|---------|----------------|-------|---------|
| D548,592 S * | 8/2007 | Kudo et al. | | D9/432 |
| D606,855 S * | 12/2009 | Jo et al. | | D9/423 |
| D624,816 S * | 10/2010 | Lutzig | | D9/432 |
| 7,870,994 B2 * | 1/2011 | Spivey et al. | | 229/122 |
| D698,151 S * | 1/2014 | Arehart et al. | | D3/302 |
| D698,664 S * | 2/2014 | Abbott | | D9/721 |
| 8,752,708 B2 * | 6/2014 | Keefe | | 206/736 |
| D708,963 S * | 7/2014 | Redpath et al. | | D9/750 |
| 8,789,703 B2 * | 7/2014 | Couture et al. | | 206/746 |

* cited by examiner

Primary Examiner — Holly Baynham
Assistant Examiner — Rhea Shields
(74) *Attorney, Agent, or Firm* — Kolisch Hartwell, PC

(57) **CLAIM**
I claim the ornamental design for a smartphone container, as shown and described.

DESCRIPTION

FIG. 1 is a top right front perspective view of a smartphone container.
FIG. 2 is a front elevational view thereof.
FIG. 3 is a rear elevational view thereof.
FIG. 4 is a right side elevational view thereof, the left side elevational view being a mirror image thereof.
FIG. 5 is a top plan view thereof; and,
FIG. 6 is a bottom plan view thereof.
The shading lines shown in the drawings represent the approximate three-dimensional contour of the design, and are not intended to indicate surface decoration.
In the drawings, the broken lines depict unclaimed subject matter only and form no part of the claimed design.

1 Claim, 2 Drawing Sheets

- (56) **References Cited**
U.S. PATENT DOCUMENTS
D345,101 S * 3/1994 Abrams D9/423
D395,600 S * 6/1998 Borghorst et al. D9/432
D429,085 S * 8/2000 Welty et al. D6/397
6,305,533 B1 * 10/2001 Welty et al. 206/278

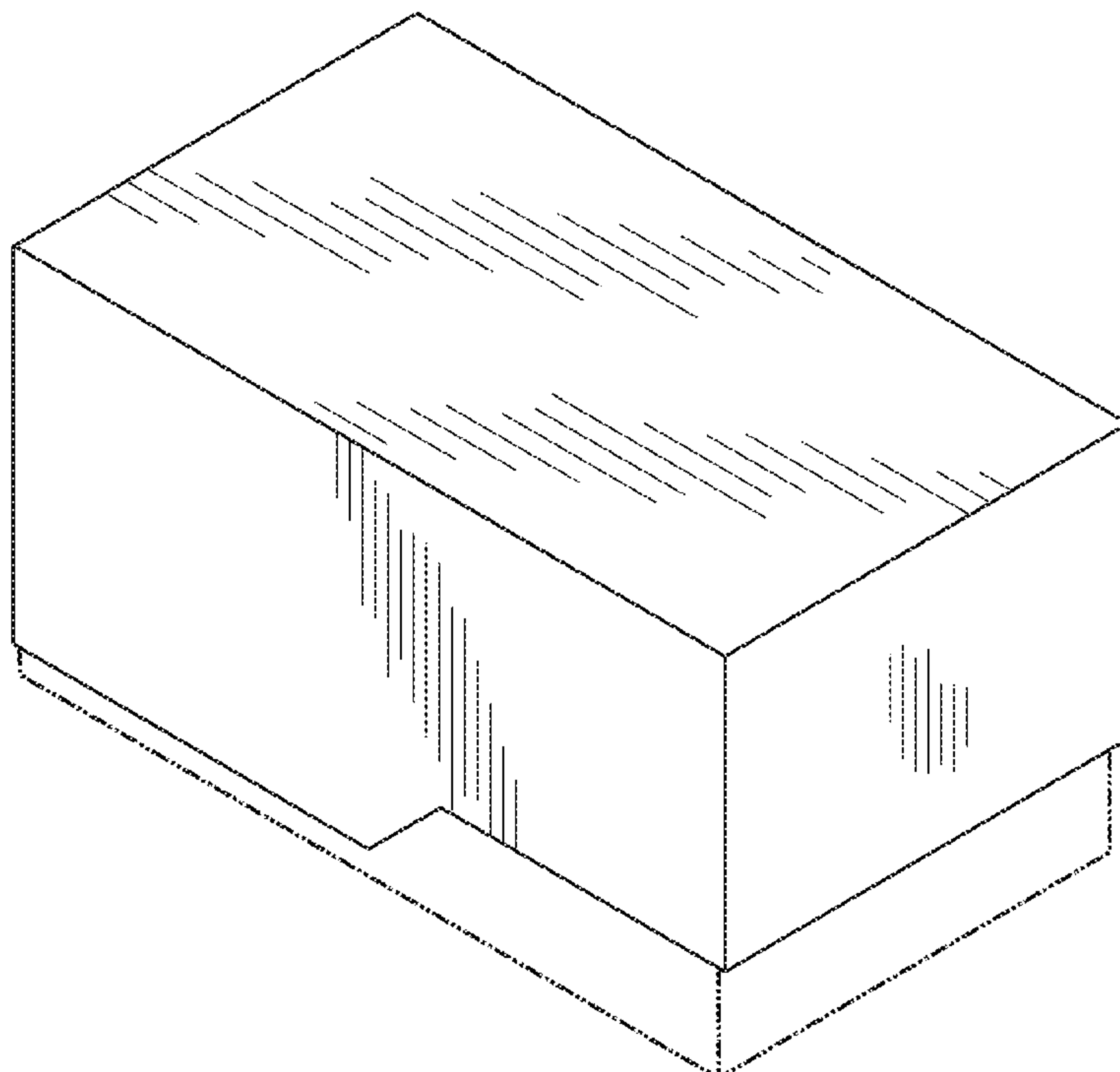


Fig. 1

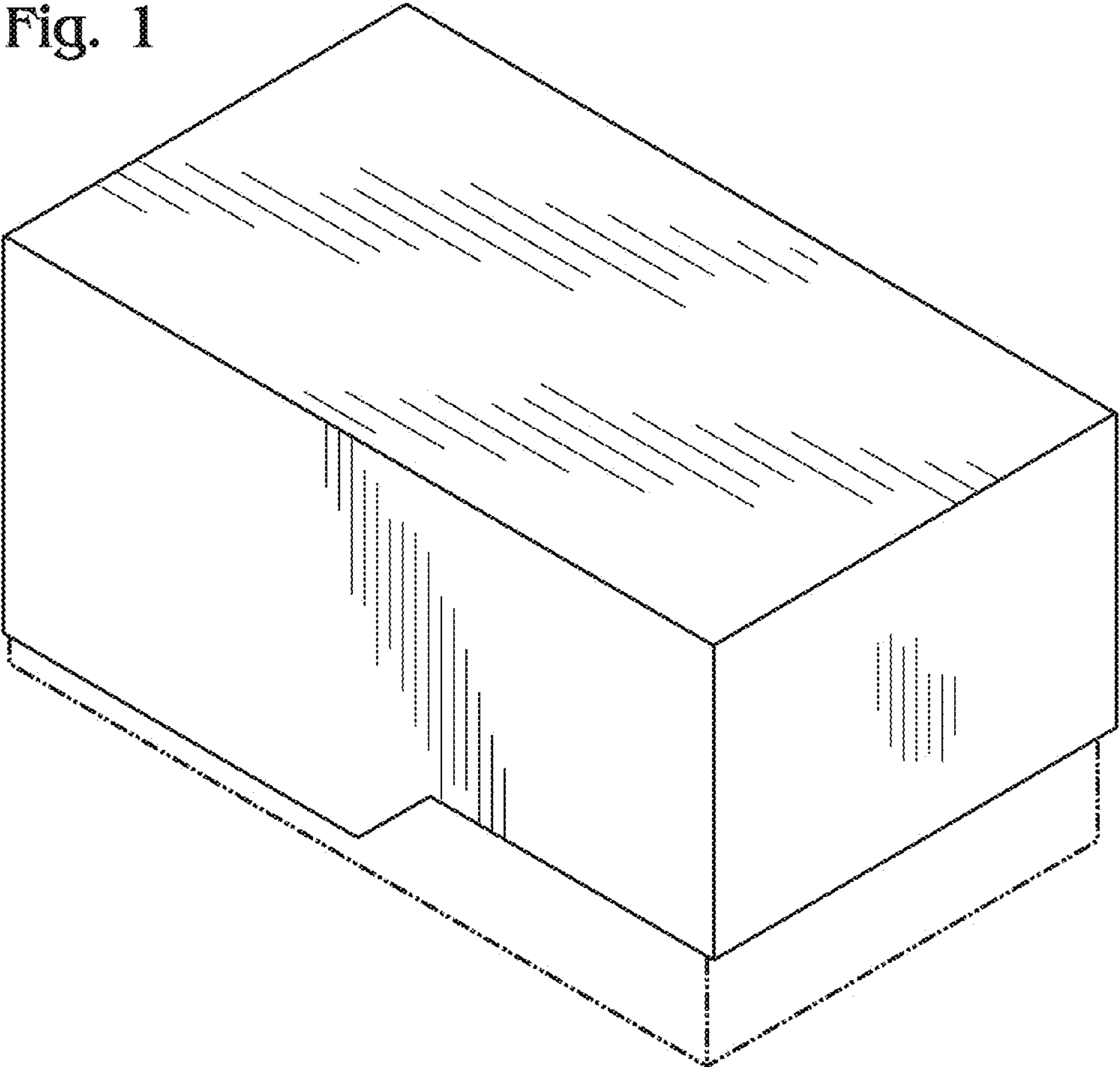


Fig. 2

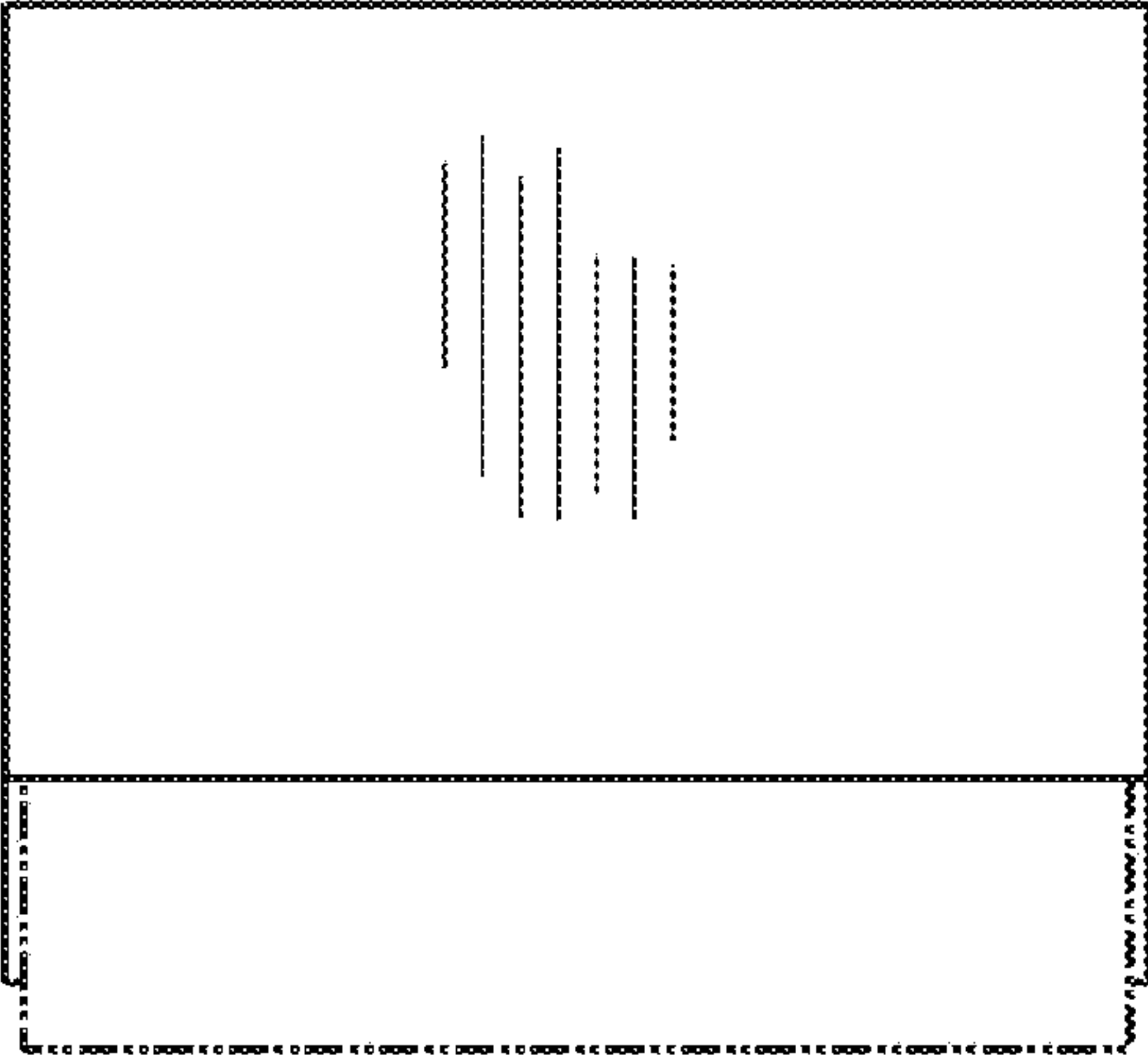


Fig. 3

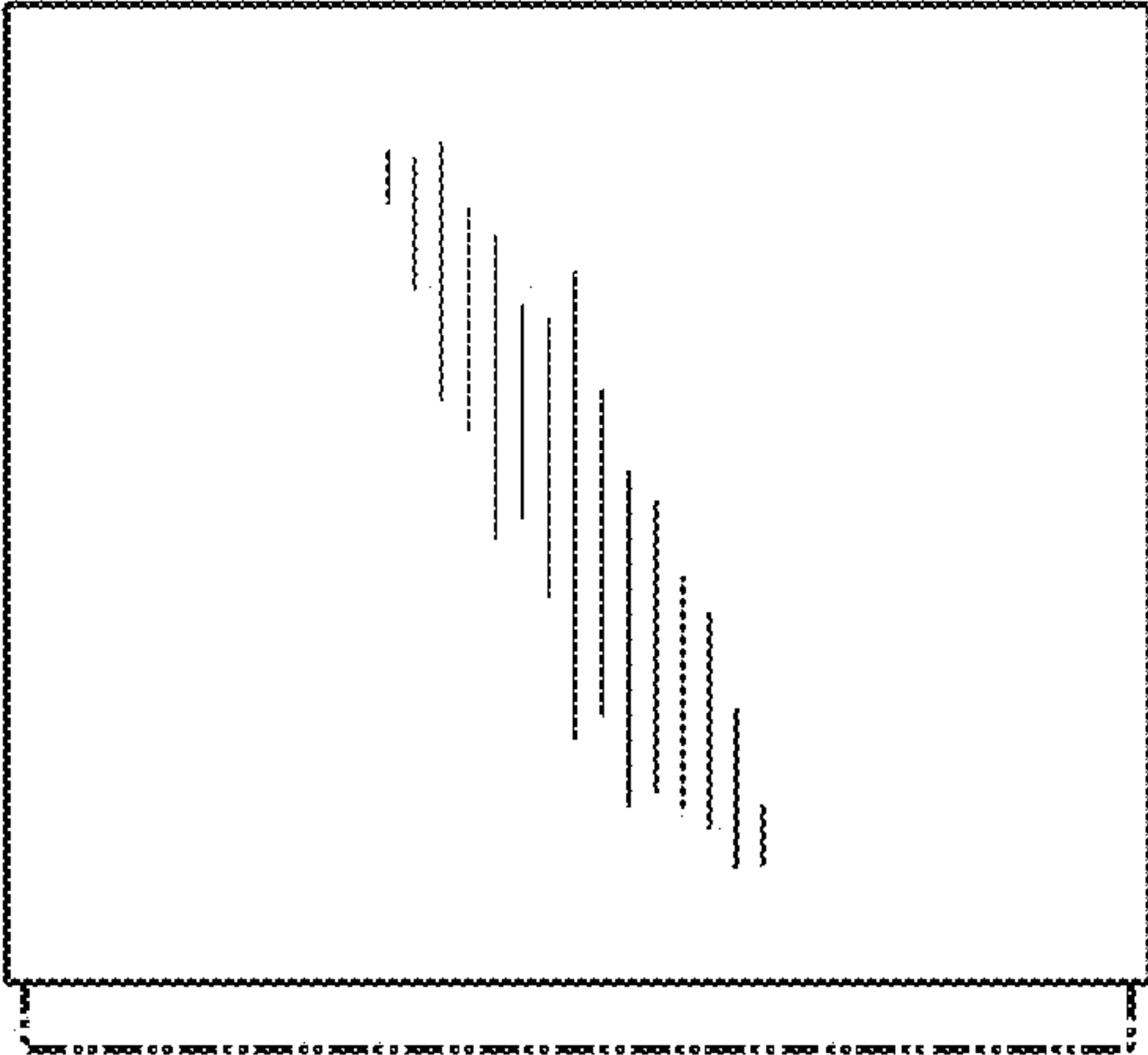


Fig. 4

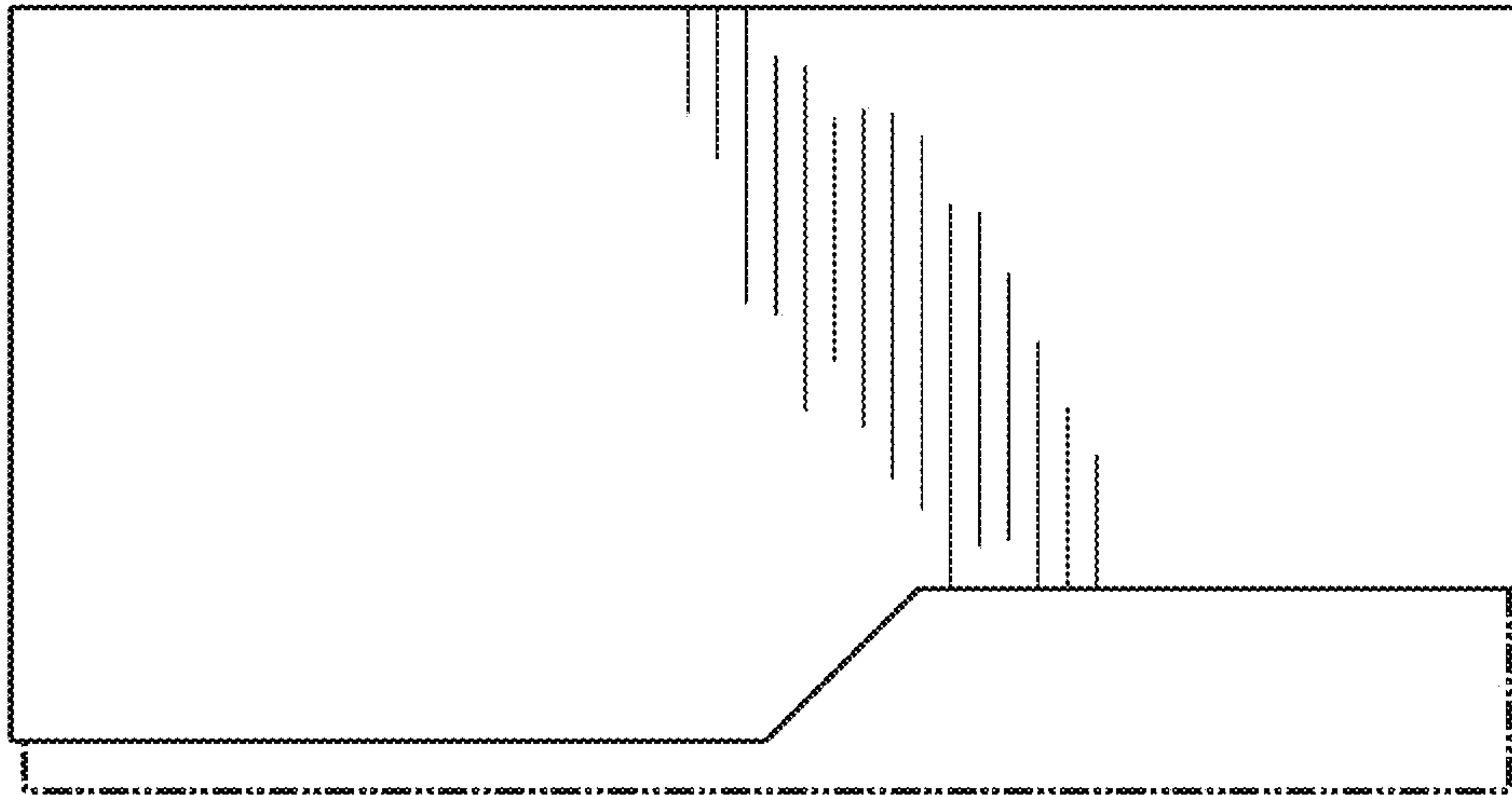


Fig. 5

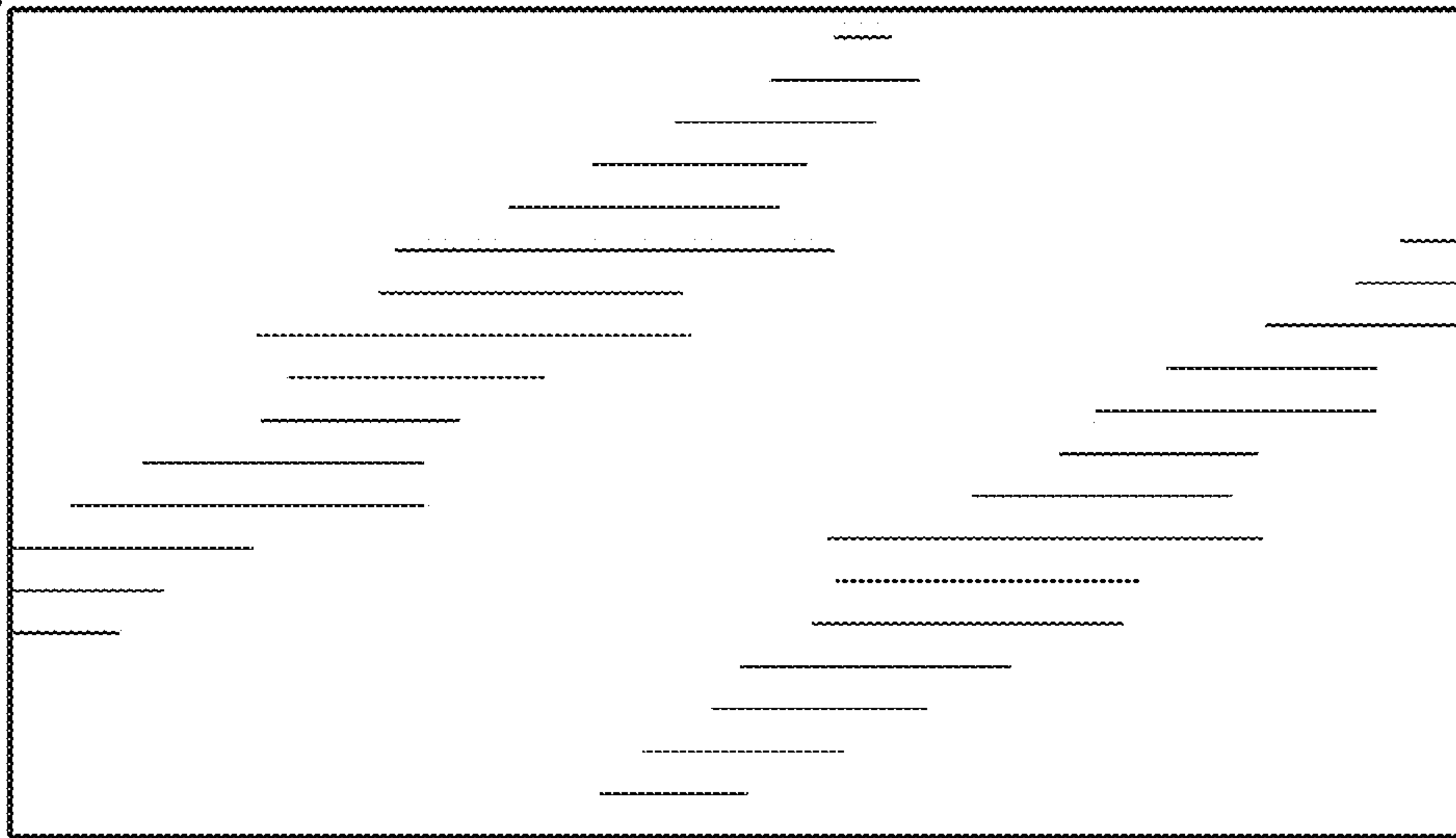


Fig. 6

