



US00D733548S

(12) **United States Design Patent**
Brown et al.

(10) **Patent No.:** **US D733,548 S**
(45) **Date of Patent:** **** Jul. 7, 2015**

- (54) **HEADREST CLAMP**
- (71) Applicants: **Johnny Lamar Brown**, Chattanooga, TN (US); **Delroy G. Dennisur**, Mableton, GA (US)
- (72) Inventors: **Johnny Lamar Brown**, Chattanooga, TN (US); **Delroy G. Dennisur**, Mableton, GA (US)
- (**) Term: **14 Years**
- (21) Appl. No.: **29/471,380**
- (22) Filed: **Oct. 31, 2013**
- (51) **LOC (10) Cl.** **08-08**
- (52) **U.S. Cl.**
USPC **D8/394; D14/447**
- (58) **Field of Classification Search**
USPC D8/72, 394-396, 349, 354, 355;
248/176.1, 917, 689, 118, 118.5, 72,
248/74.1-74.4, 68.1, 49, 65; 24/3.12, 16 R,
24/270, 272, 115 H; D14/447, 432, 433,
D14/251, 217; D3/274, 318, 321;
361/679.29, 679.3
CPC F16M 13/00; F16M 11/10; F16L 3/233;
F16L 33/12; A01K 63/065; A45F 5/022;
A47B 21/0371; G06F 1/1616
See application file for complete search history.

- (56) **References Cited**
U.S. PATENT DOCUMENTS
D269,760 S * 7/1983 Geney D8/382
D308,017 S * 5/1990 Fujioka D8/396
D311,487 S * 10/1990 Platt D8/396
D329,373 S * 9/1992 Kaga D8/394
D436,271 S * 1/2001 Corti D6/716.5
D439,831 S * 4/2001 Henriksson D8/394

- 6,592,149 B2 7/2003 Sessoms
- D484,035 S * 12/2003 Smith-Kielland et al. D8/394
- D484,400 S * 12/2003 Blake et al. D8/394
- D527,990 S * 9/2006 Myers et al. D8/394
- D560,483 S * 1/2008 Mercier D8/395
- D569,718 S * 5/2008 Nakamura et al. D8/394
- D609,236 S * 2/2010 Matsumoto et al. D14/372
- D622,583 S * 8/2010 Parks et al. D8/394
- D640,536 S * 6/2011 Larsen et al. D8/394
- D664,952 S * 8/2012 Richter D14/253
- D670,295 S * 11/2012 Prescott et al. D14/447
- D690,583 S * 10/2013 Sendra-Gonzalez et al. .. D8/394
- D691,463 S * 10/2013 Sendra-Gonzalez et al. .. D8/394
- D692,897 S * 11/2013 Luijben D14/447
- D700,185 S * 2/2014 Fujioka D14/447
- D722,867 S * 2/2015 Papafagos et al. D8/396
- 2013/0181492 A1 7/2013 Prescott et al.

* cited by examiner

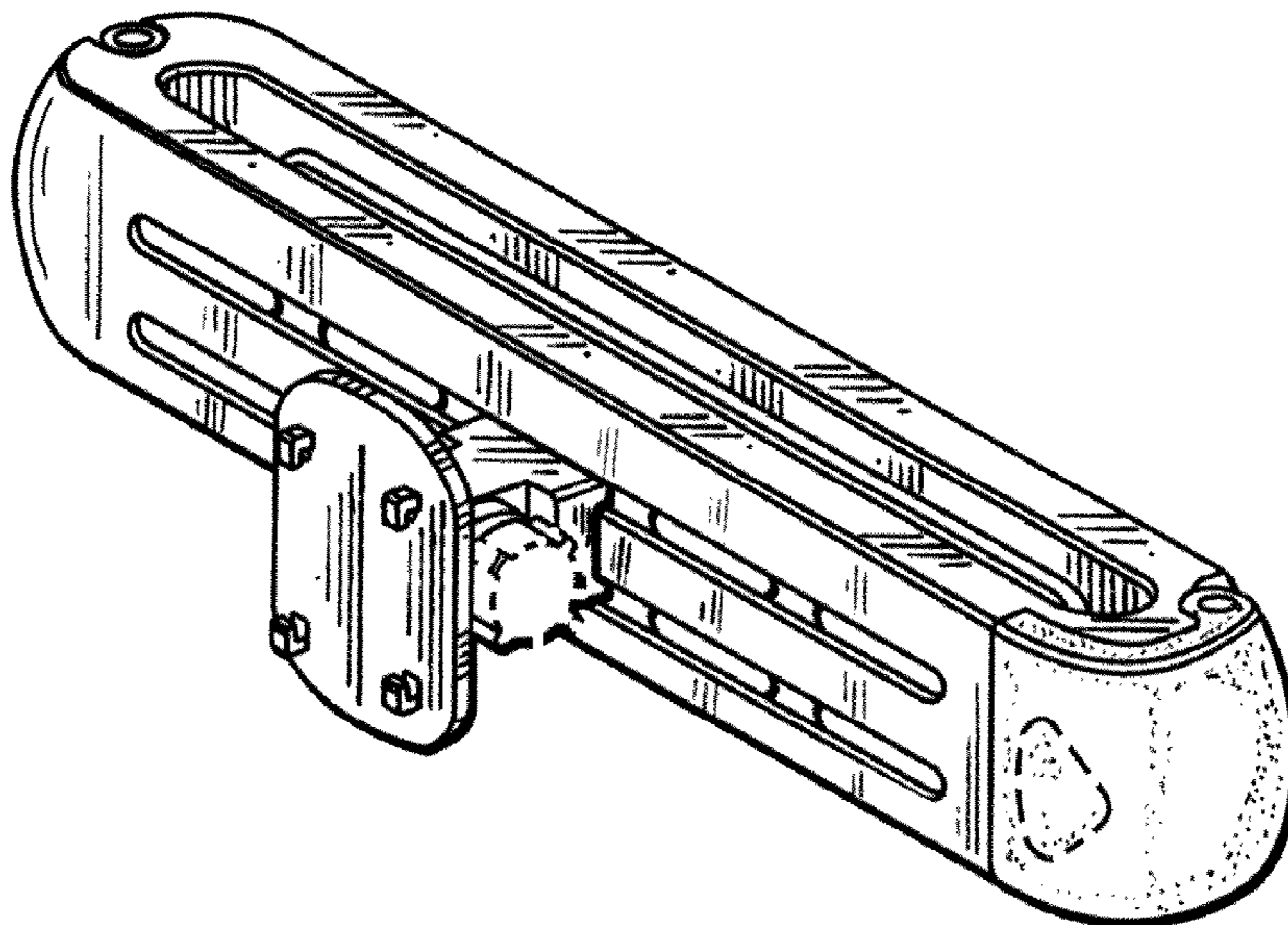
Primary Examiner — John Windmuller
Assistant Examiner — Steven Czyz
(74) *Attorney, Agent, or Firm* — Frank Marino

(57) **CLAIM**
The ornamental design for a headrest clamp, as shown and described.

DESCRIPTION

FIG. 1 is a perspective view of a headrest clamp according to our new design;
FIG. 2 is a front view of the headrest clamp of FIG. 1;
FIG. 3 is a rear view of the headrest clamp of FIG. 1;
FIG. 4 is a left side view of the headrest clamp of FIG. 1;
FIG. 5 is a right side view of the headrest clamp of FIG. 1;
FIG. 6 is a top view of the headrest clamp of FIG. 1; and,
FIG. 7 is a bottom view of the headrest clamp of FIG. 1.
The broken lines shown in the drawings form no part of the claimed design.

1 Claim, 2 Drawing Sheets



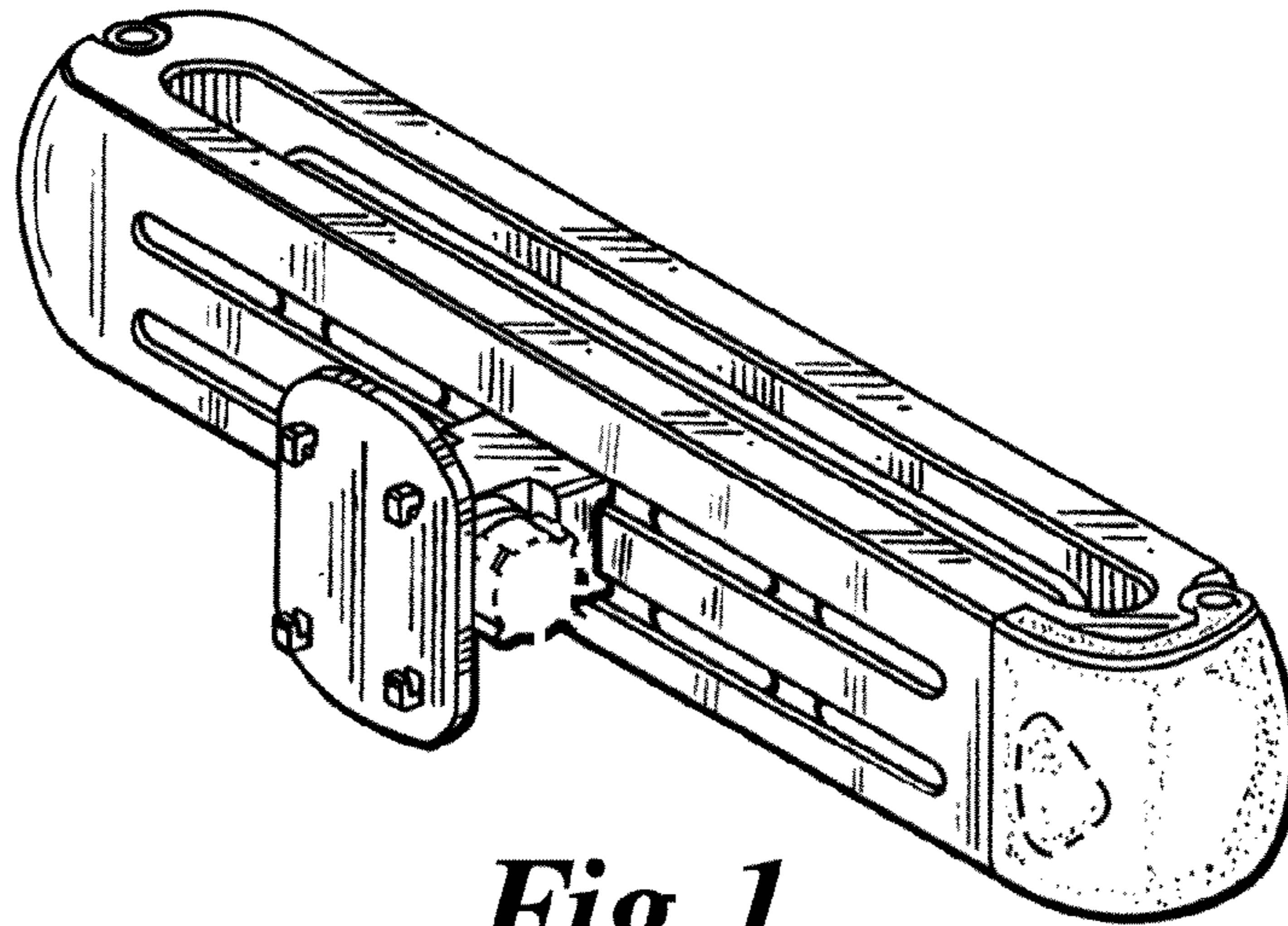


Fig. 1

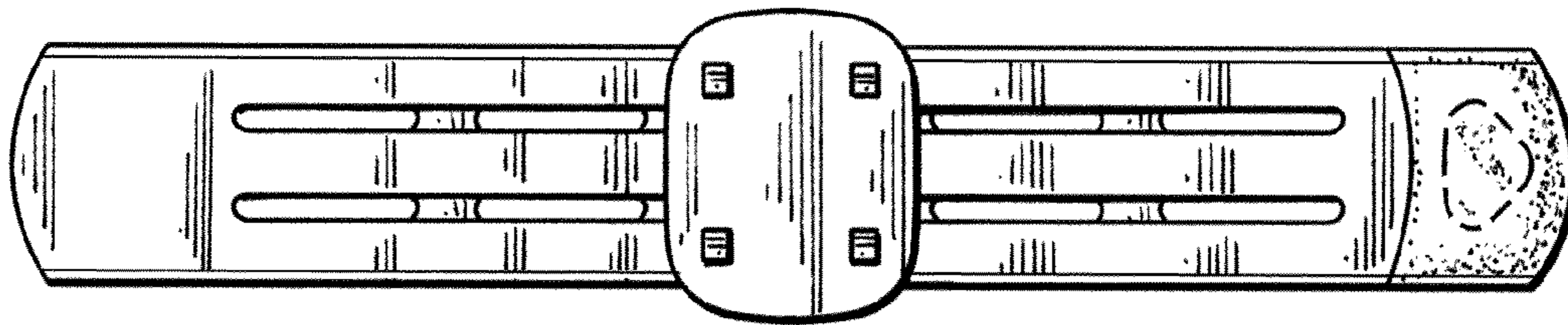


Fig. 2

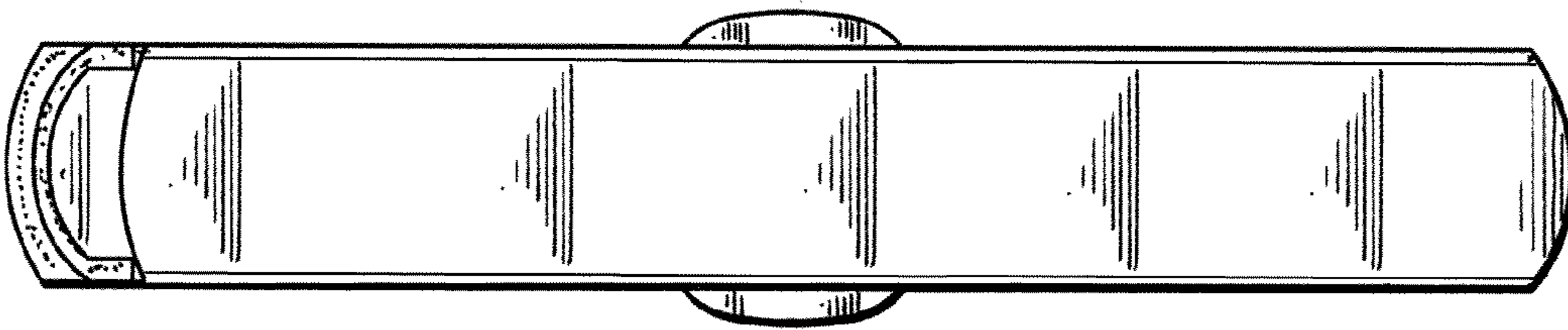


Fig. 3

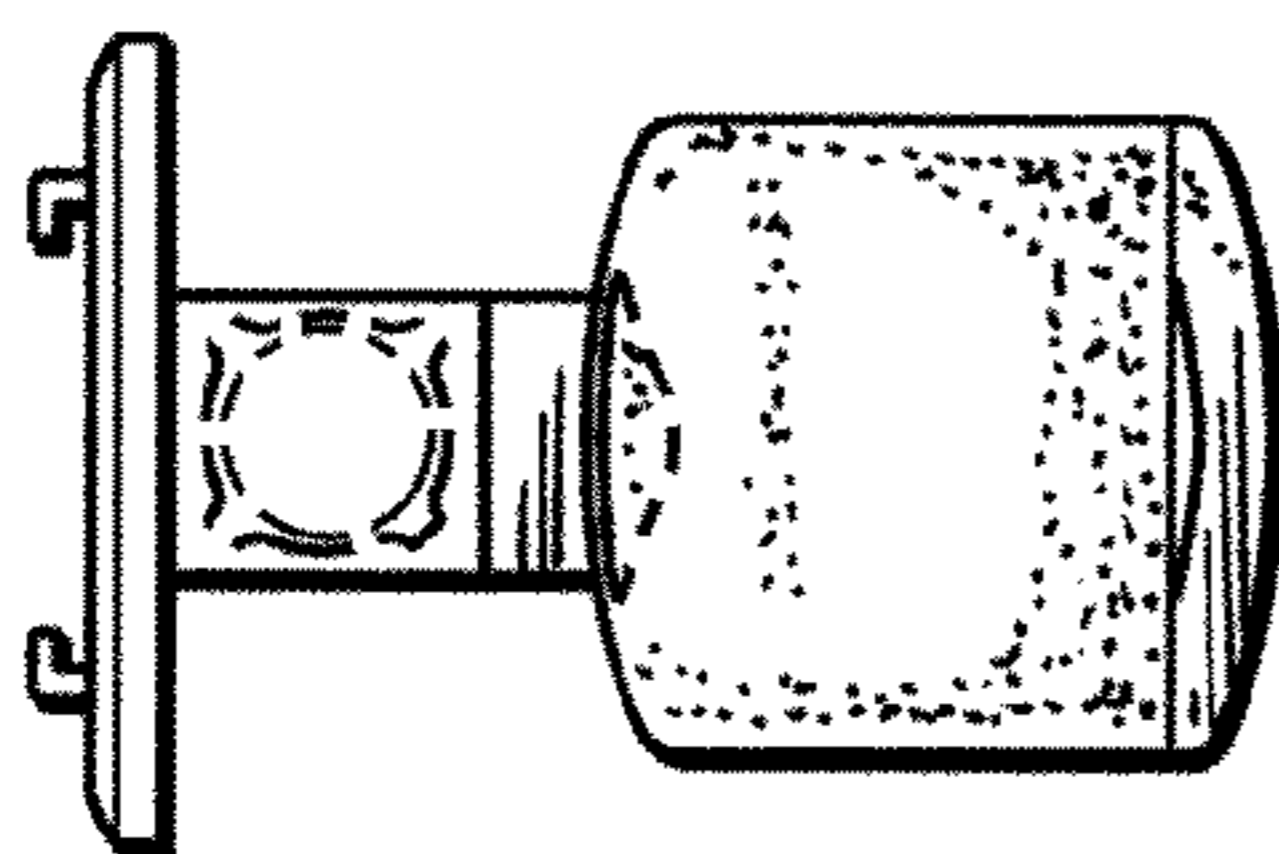


Fig. 4

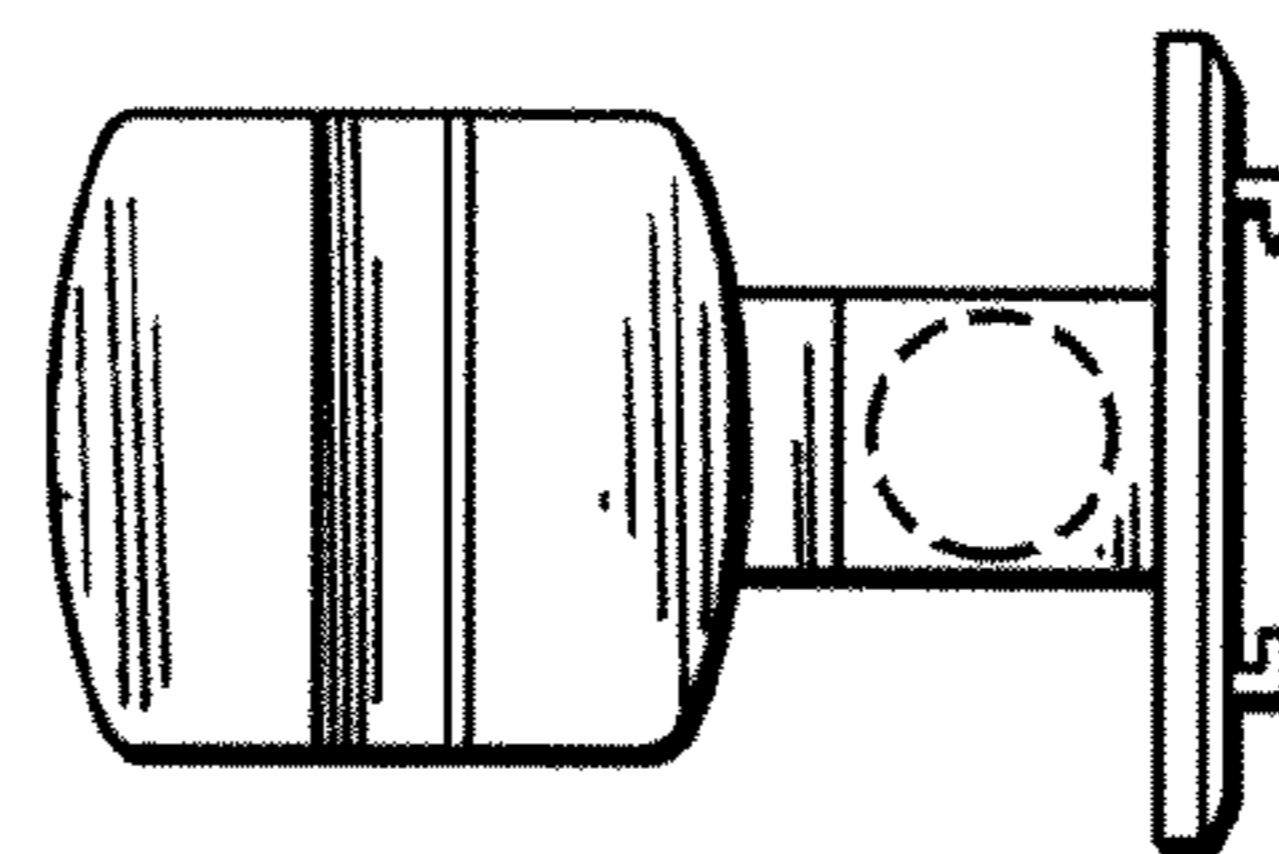


Fig. 5

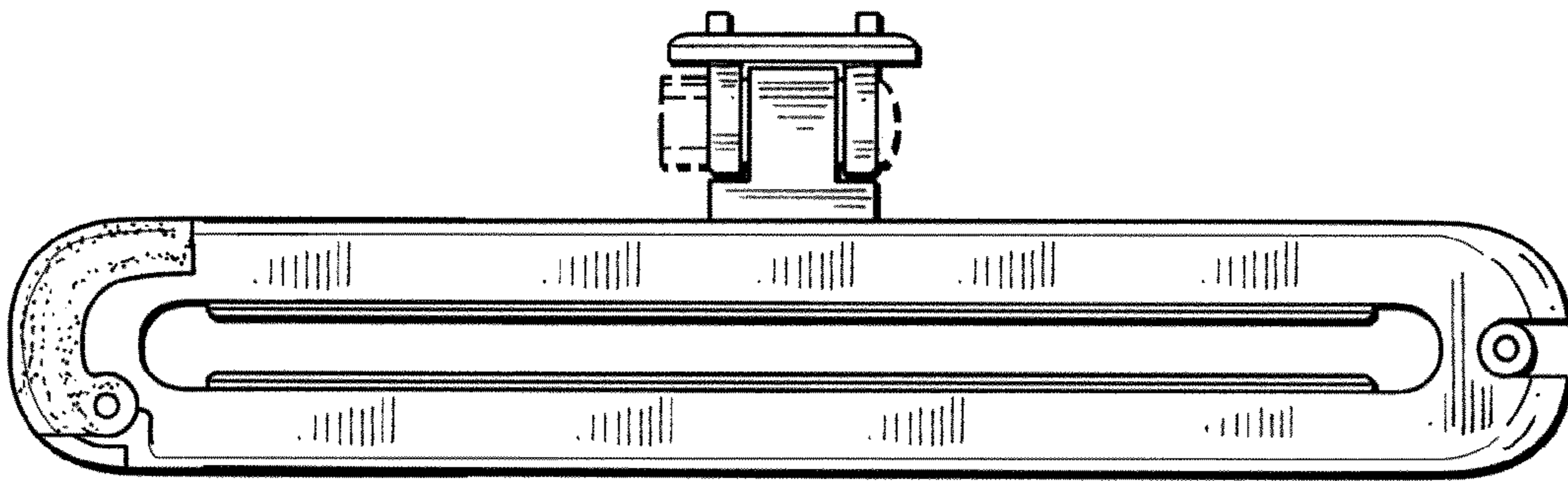


Fig. 6

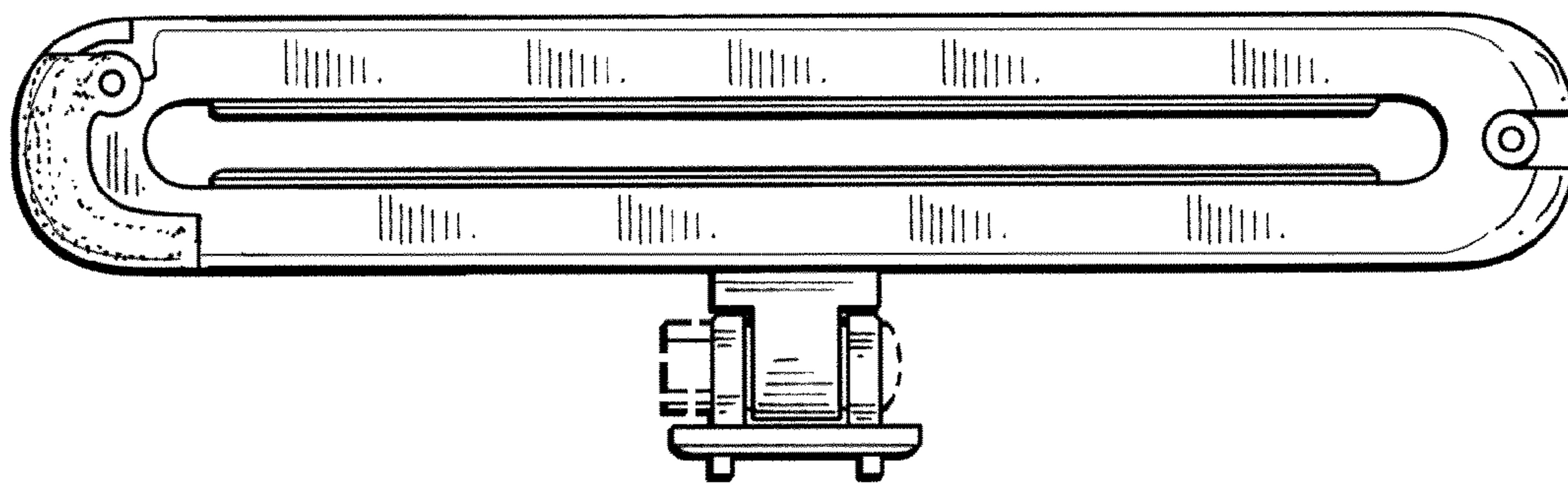


Fig. 7