



US00D733547S

(12) **United States Design Patent**  
**Mazur**

(10) **Patent No.:** **US D733,547 S**

(45) **Date of Patent:** **\*\* Jul. 7, 2015**

(54) **COLOR CODED, STAMPED FASTENER**

(71) Applicant: **Todd Mazur**, Greenbrier, AR (US)

(72) Inventor: **Todd Mazur**, Greenbrier, AR (US)

(\*\*) Term: **14 Years**

(21) Appl. No.: **29/449,912**

(22) Filed: **Mar. 15, 2013**

(51) **LOC (10) Cl.** ..... **08-08**

(52) **U.S. Cl.**  
USPC ..... **D8/391; D8/387**

(58) **Field of Classification Search**  
USPC ..... D8/391, 388, 384-385, 1, 387;  
411/439, 487, 456, 485, 379, 393,  
411/402-403, 411, 352-353, 366.1  
See application file for complete search history.

(56) **References Cited**

**U.S. PATENT DOCUMENTS**

2,266,432	A	*	12/1941	Morin et al.	.....	264/161
D139,216	S	*	10/1944	Spanholtz	.....	D8/391
D324,649	S	*	3/1992	Lederhaus, Jr.	.....	D8/391
D389,868	S	*	1/1998	Voorhees	.....	D19/65
D414,207	S	*	9/1999	Wagner et al.	.....	D19/65
D462,600	S	*	9/2002	Gilbert et al.	.....	D8/331
D618,088	S	*	6/2010	Gaylor	.....	D8/391

D659,491 S \* 5/2012 Hausch ..... D8/1

\* cited by examiner

*Primary Examiner* — Sheryl Lane

(74) *Attorney, Agent, or Firm* — Joe D. Calhoun

(57) **CLAIM**

I claim, the ornamental design for a color coded stamped fastener, as shown and described.

**DESCRIPTION**

The patent or application file contains at least one drawing executed in color. Copies of this patent or patent application publication with color drawing(s) will be provided by the Office upon request and payment of the necessary fee.

FIG. 1 is a side elevation view of a first embodiment of a green color coded, stamped fastener showing my new design.

FIG. 2 is a top plan view of FIG. 1 thereof, with an indicia letter 'I' being imprinted or stamped on the head of the fastener.

FIG. 3 is a perspective view of FIG. 1 thereof.

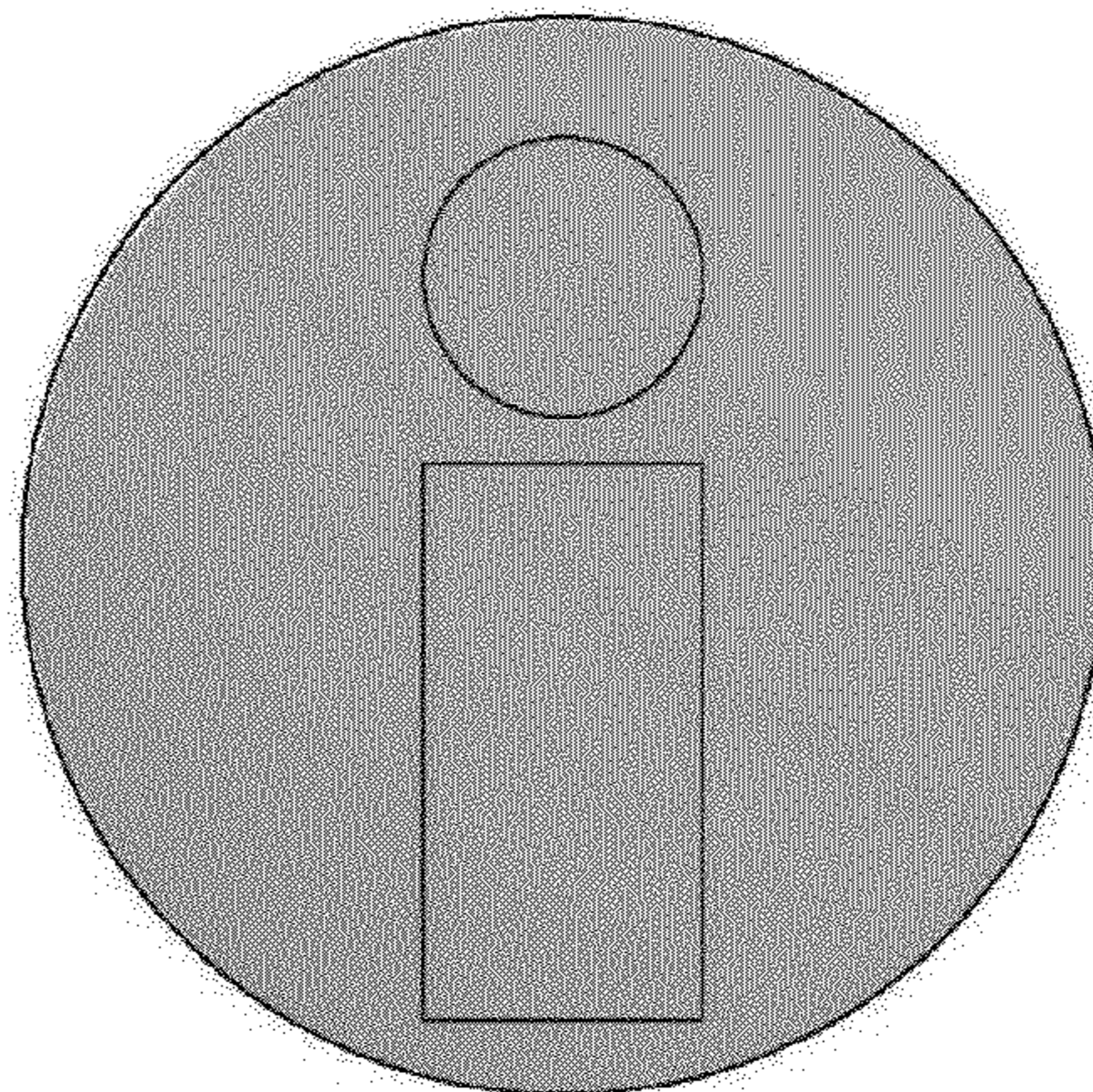
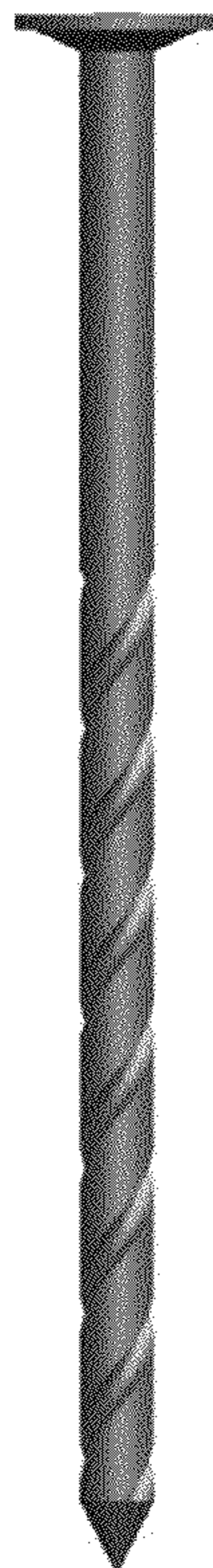
FIG. 4 is another side elevation view of FIG. 1 thereof.

FIG. 5 is a top plan view of a second embodiment, having indicia for a slanted letter "I" imprinted or stamped on the head of the fastener; and,

FIG. 6 is a perspective view of FIG. 5 thereof.

The shadows and reflections displayed in the drawings form no part of the claimed design.

**1 Claim, 2 Drawing Sheets**  
**(2 of 2 Drawing Sheet(s) Filed in Color)**



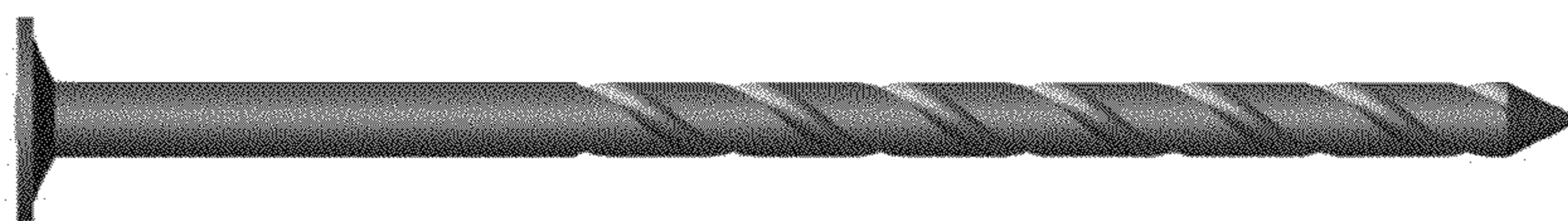


Figure 1

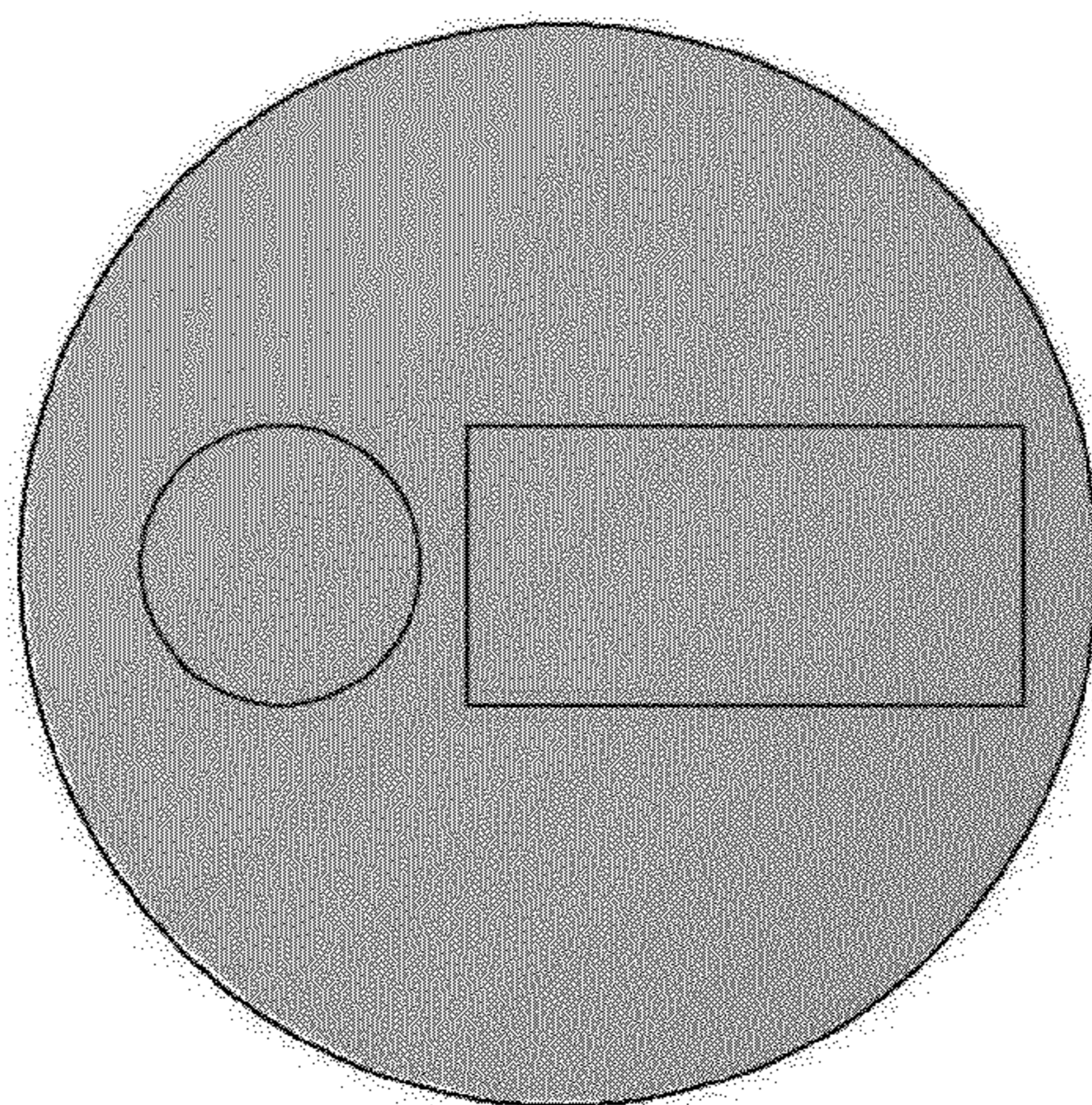


Figure 2

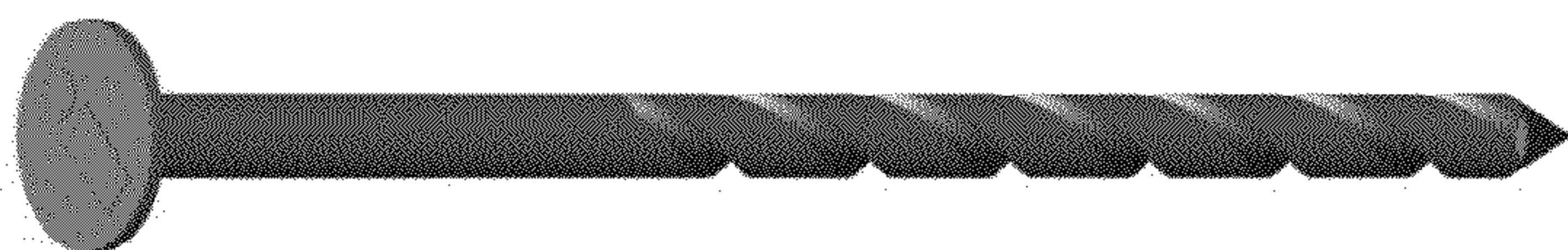


Figure 3



Figure 6

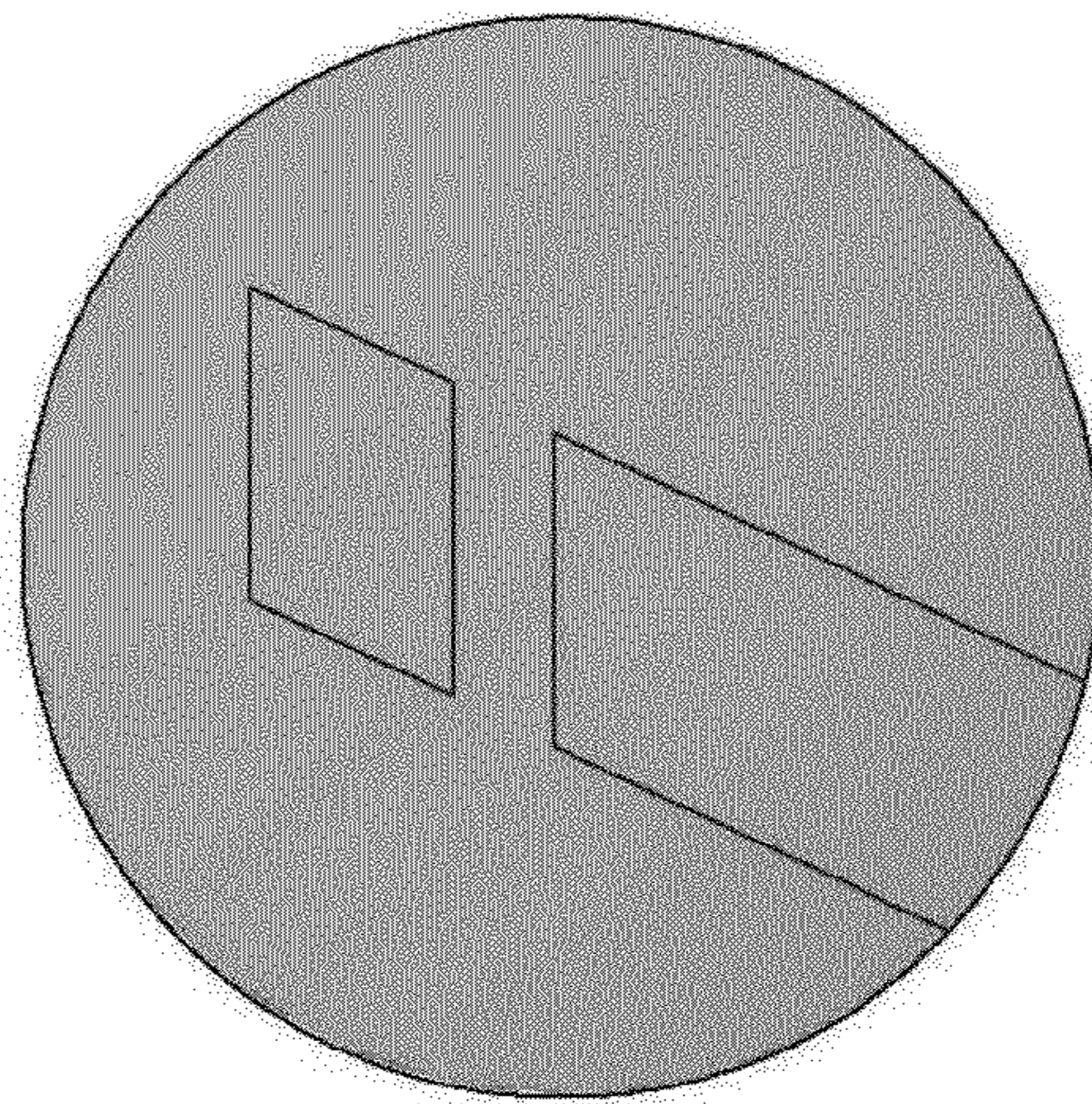


Figure 5

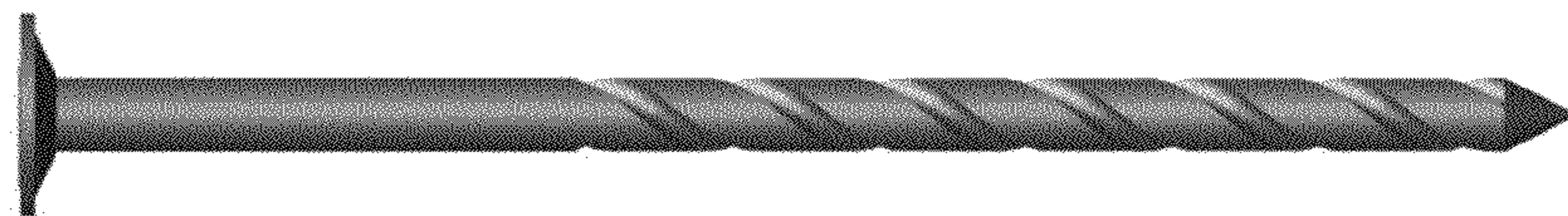


Figure 4