



US00D733546S

(12) **United States Design Patent**
Balzhiser

(10) **Patent No.:** **US D733,546 S**
(45) **Date of Patent:** **** Jul. 7, 2015**

(54) **SCREW WITH DECORATIVE HEAD**

(71) Applicant: **David E Balzhiser**, Clements, CA (US)

(72) Inventor: **David E Balzhiser**, Clements, CA (US)

(73) Assignee: **Simpson Strong-Tie Company, Inc.**,
Pleasanton, CA (US)

(**) Term: **14 Years**

(21) Appl. No.: **29/470,962**

(22) Filed: **Oct. 25, 2013**

(51) **LOC (10) Cl.** **08-08**

(52) **U.S. Cl.**
USPC **D8/387**

(58) **Field of Classification Search**
USPC D8/387, 397; 411/378, 393, 402-403,
411/6, 435, 437, 510, 427, 337, 429, 400
See application file for complete search history.

(56) **References Cited**

U.S. PATENT DOCUMENTS

D418,048 S *	12/1999	Chan	D8/387
D557,131 S *	12/2007	Liu	D8/387
7,402,016 B2 *	7/2008	Yin-Feng	411/413
D581,776 S *	12/2008	Yin-Feng	D8/387
D585,731 S *	2/2009	Carrillo et al.	D8/387
D601,004 S *	9/2009	Hagins	D8/387
D637,071 S *	5/2011	Gaudron et al.	D8/387
8,894,339 B2 *	11/2014	Yin-Feng	411/413
2013/0334389 A1	12/2013	Hill		
2013/0334392 A1	12/2013	Hill		
2013/0336743 A1	12/2013	Hill		

(Continued)

OTHER PUBLICATIONS

“Swan Secure Fasteners”; Simpson Strong-Tie Catalog:
C-SSTSWAN09, Jul. 2009. pp. front cover, 19-29, 37-40, 52-53,
62-63, 69-70, 74-82, back cover. USA.

(Continued)

Primary Examiner — Sheryl Lane

(74) *Attorney, Agent, or Firm* — James R. Cypher; Charles R. Cypher

(57) **CLAIM**

The ornamental design for the screw with decorative head, as shown and described.

DESCRIPTION

FIG. 1 is an upper perspective view of the separate washer that forms part of the present invention entitled screw with decorative head;

FIG. 2 is an exploded view of the separate screw and separate decorative washer with a dotted line and arrow head showing how the separate screw is inserted into the decorative washer;

FIG. 3 is an upper perspective view of the separate screw partially inserted into the separate washer;

FIG. 4 is an upper perspective view of the screw with decorative head showing the new design;

FIG. 5 is a top view of the separate washer that forms part of the present invention;

FIG. 6 is a bottom view of the separate washer that forms part of the present invention;

FIG. 7 is a side view of the separate washer that forms part of the present invention;

FIG. 8 is an alternate side view of the separate washer that forms part of the present invention;

FIG. 9 is a top view of the screw with decorative head showing the new design;

FIG. 10 is a bottom view thereof;

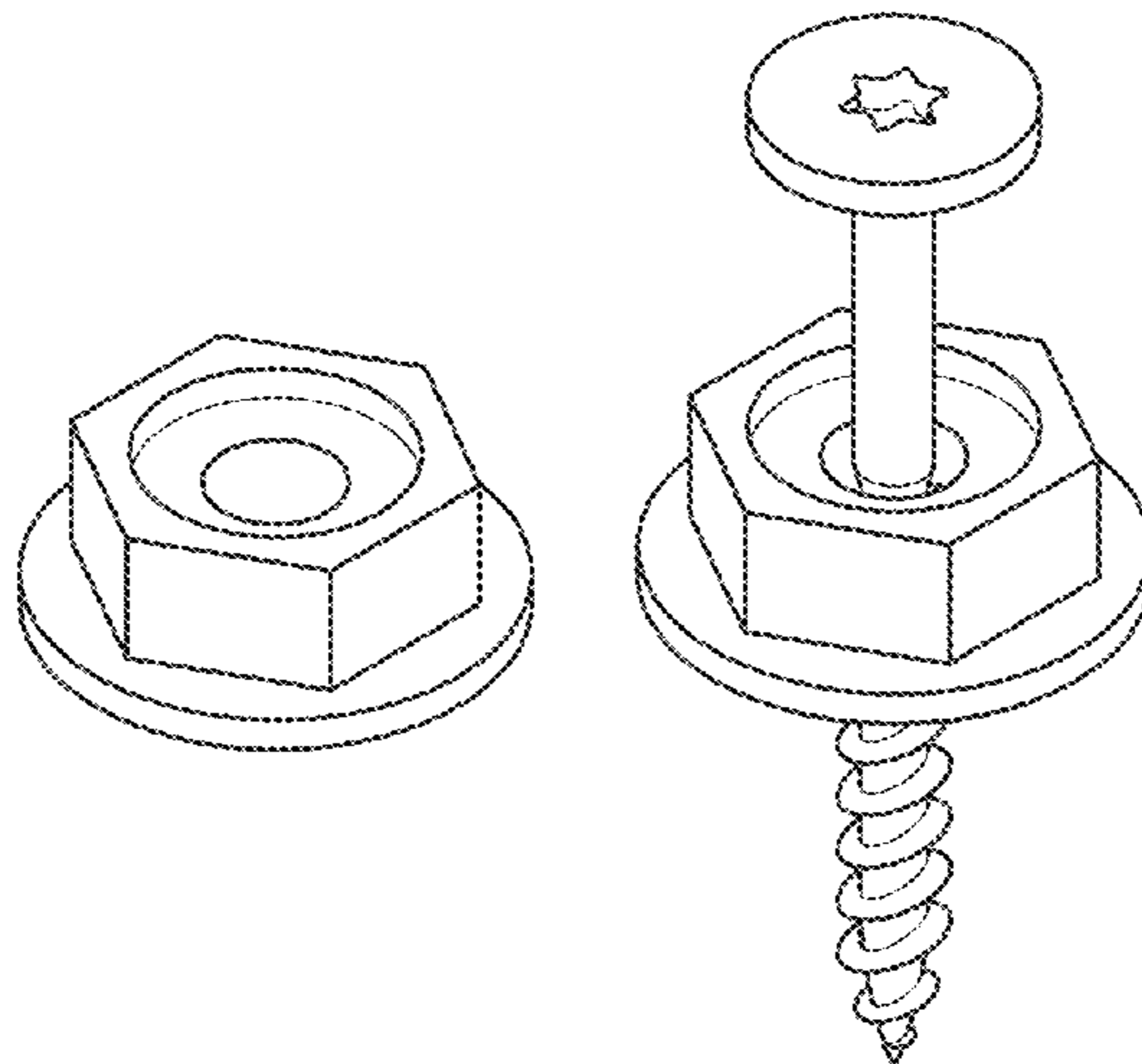
FIG. 11 is a side view thereof; and,

FIG. 12 is an alternate side view thereof.

The dotted line with an arrow head of FIG. 2 shows how the separate screw is inserted into the separate washer to form the present invention entitled screw with decorative head and forms no part of the claimed design. Portions of the article shown in broken lines form no part of the claimed design.

The broken lines represent portions of the article and form no part of the claimed design.

1 Claim, 3 Drawing Sheets



(56)

References Cited

U.S. PATENT DOCUMENTS

2013/0340375 A1 12/2013 Hill
2014/0007541 A1 1/2014 Hill
2014/0369787 A1 12/2014 Hill

OTHER PUBLICATIONS

“Wood Construction Connectors”; Simpson Strong-Tie Catalog: C-2013, Jan. 1, 2013. pp. front cover, 9, 22, 24-27, 42-45, 128, 163, 176, 184-185, 194, 208, back cover. USA.

“Fastening Systems; Includes Quik Drive Auto-Feed Screw Driving Systems”; Simpson Strong-Tie Catalog: C-FS11, Aug. 2011. pp. front cover, 15-16, 19, 21-22, 24-29, 76-133, 160-162, 166-182, back cover. USA.

“Anchoring and Fastening Systems for Concrete and Masonry”; Simpson Strong-Tie Catalog: C-SAS-2012, Jan. 1, 2012. pp. front cover, 4-5, 8, 95-96, 106-107, 110-111, 122-123, 127-130, 133-134, 146, 157-177, 180-186, 201-214, 242-243, back cover. USA.

* cited by examiner

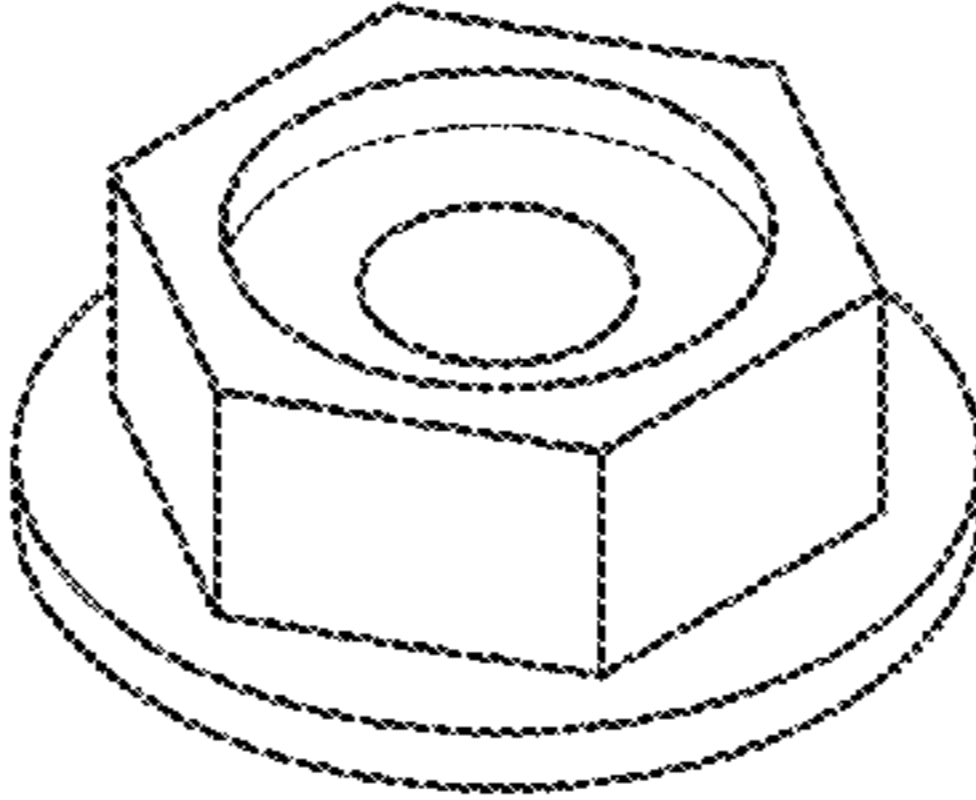


Fig. 1

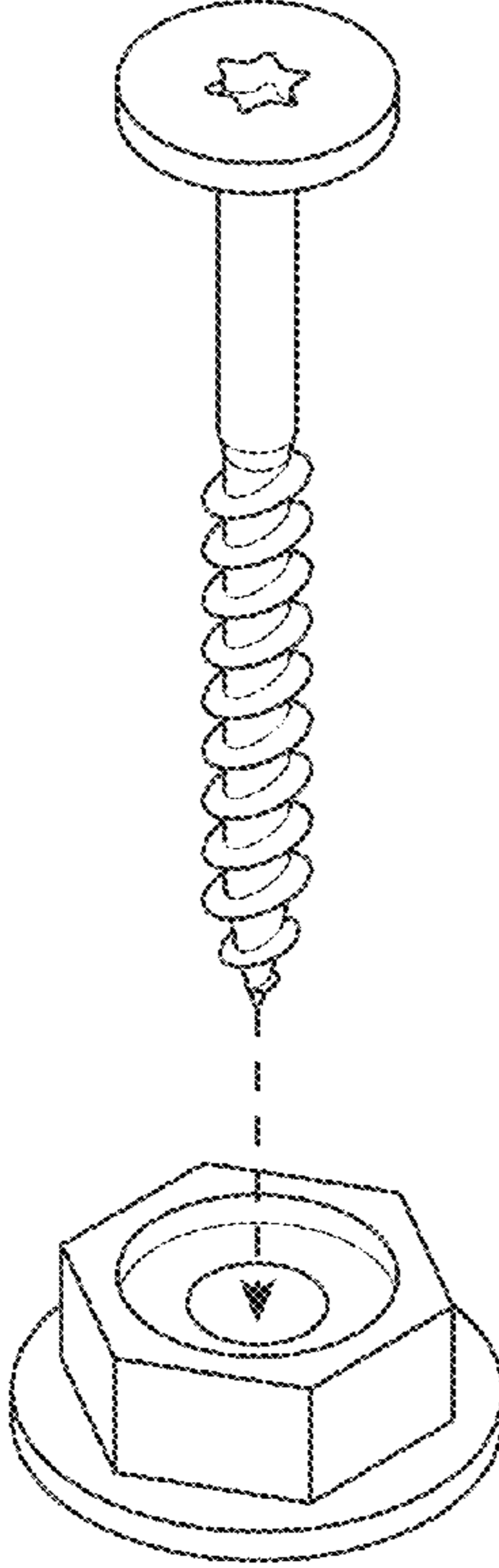


Fig. 2

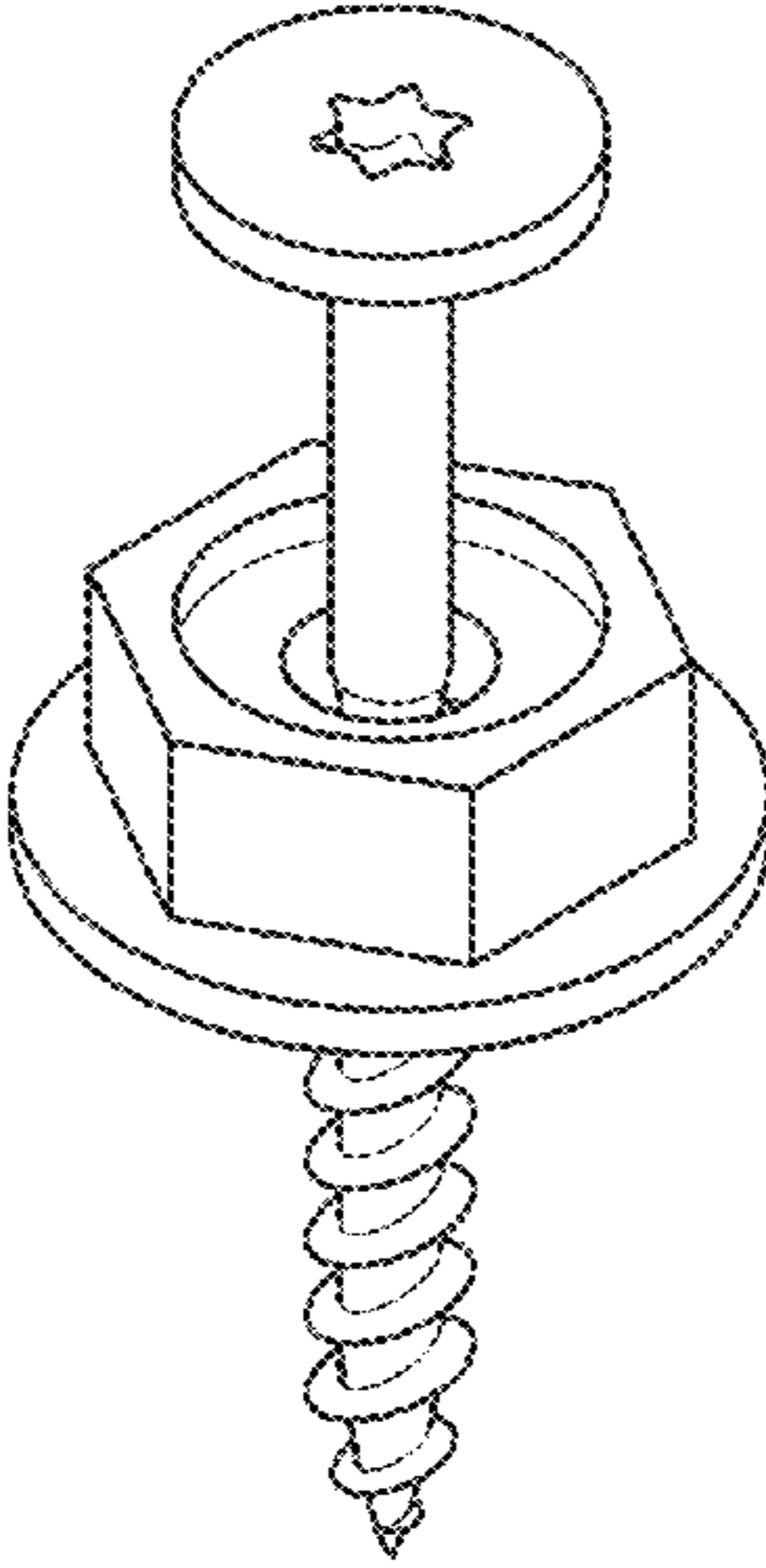


Fig. 3

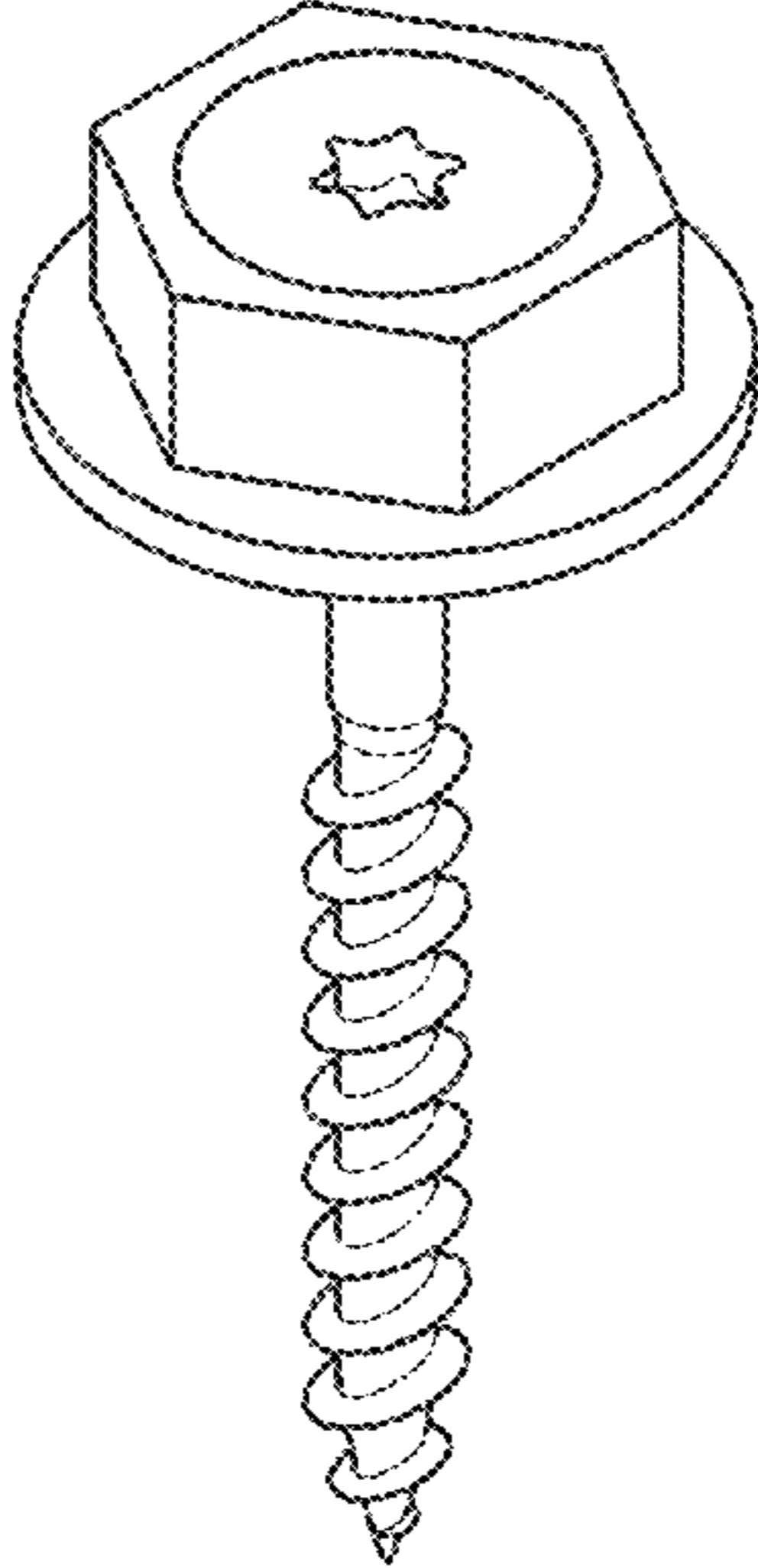


Fig. 4

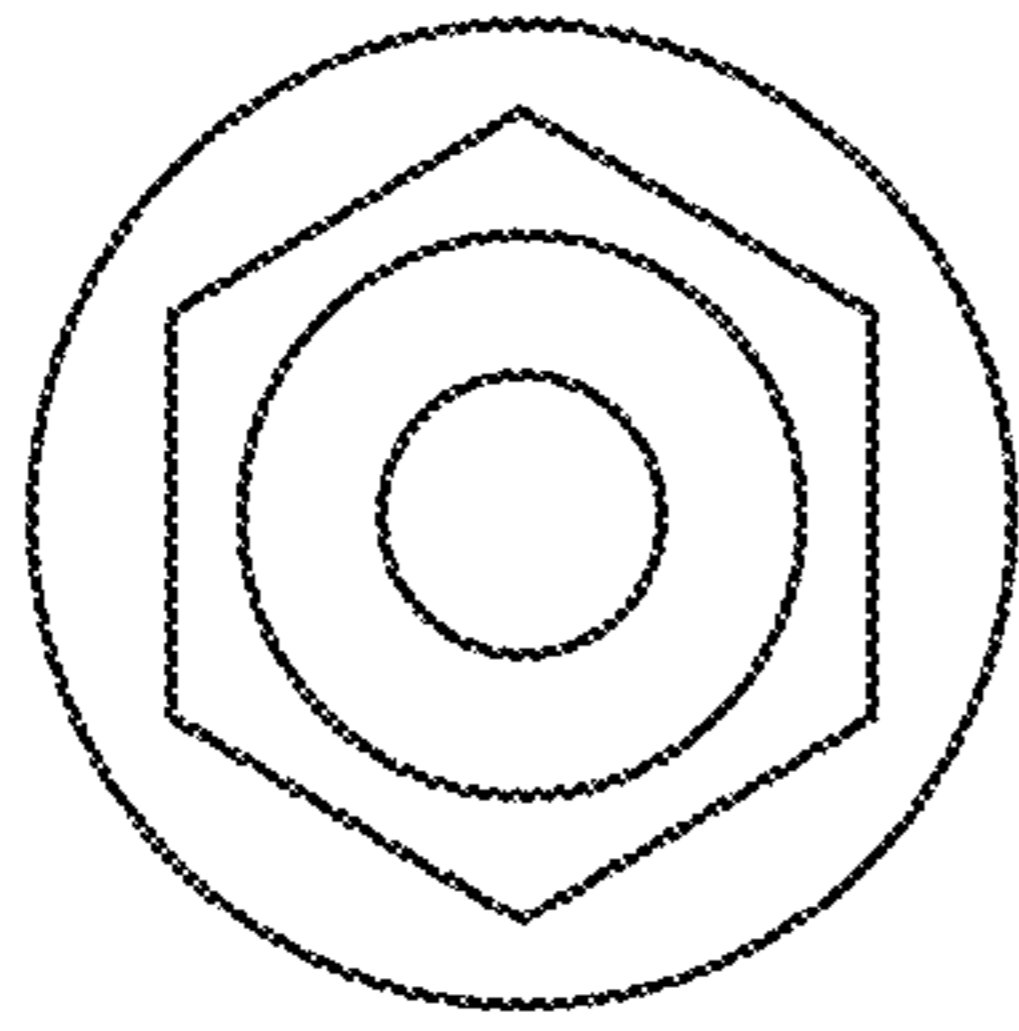


Fig. 5

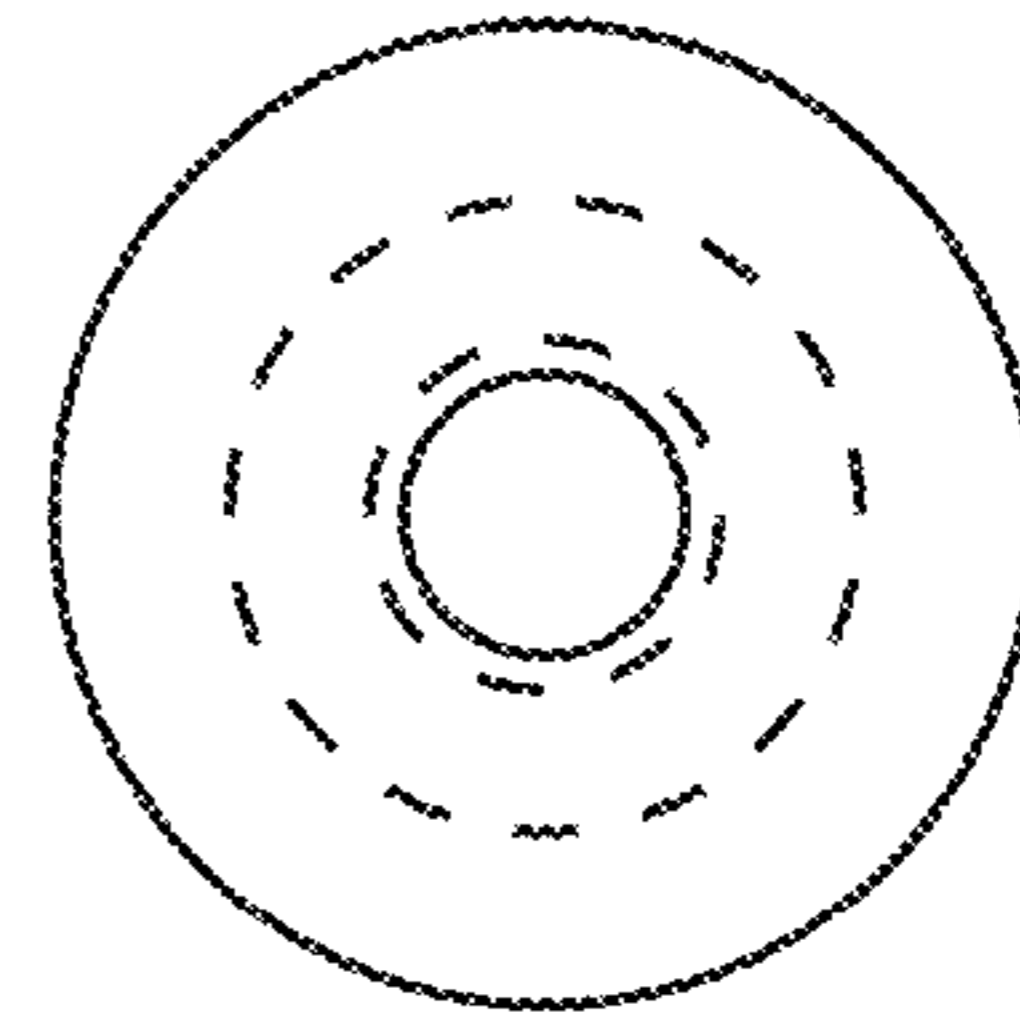


Fig. 6

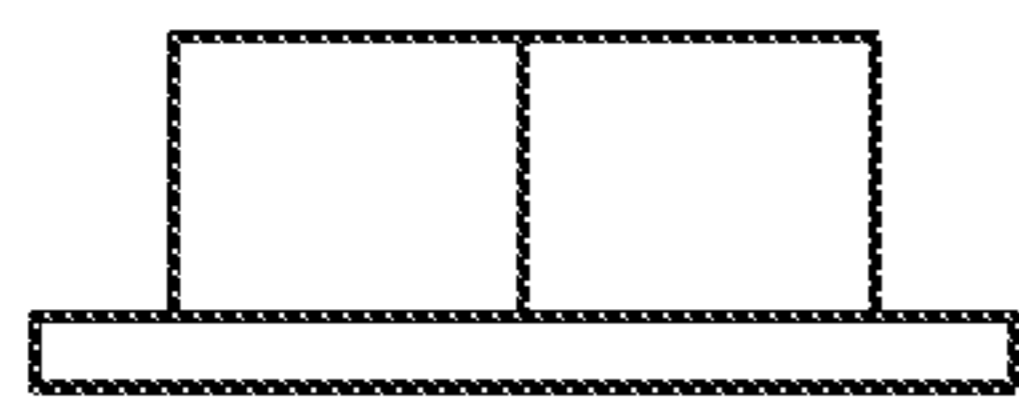


Fig. 7

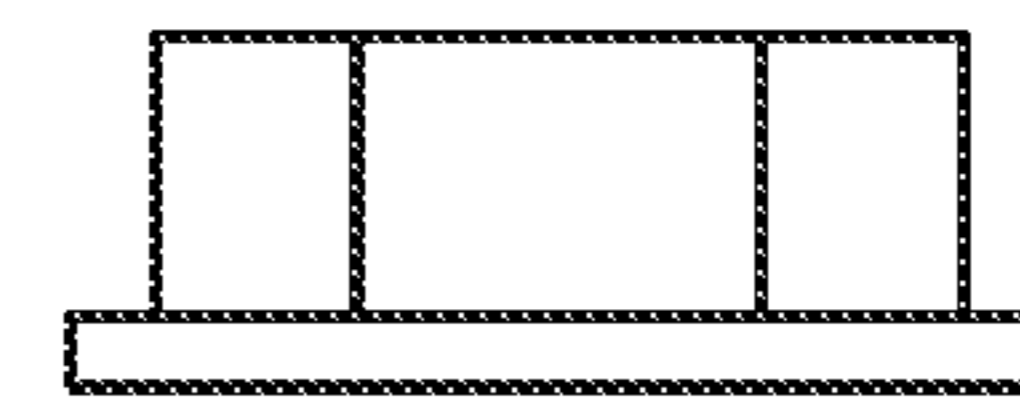


Fig. 8

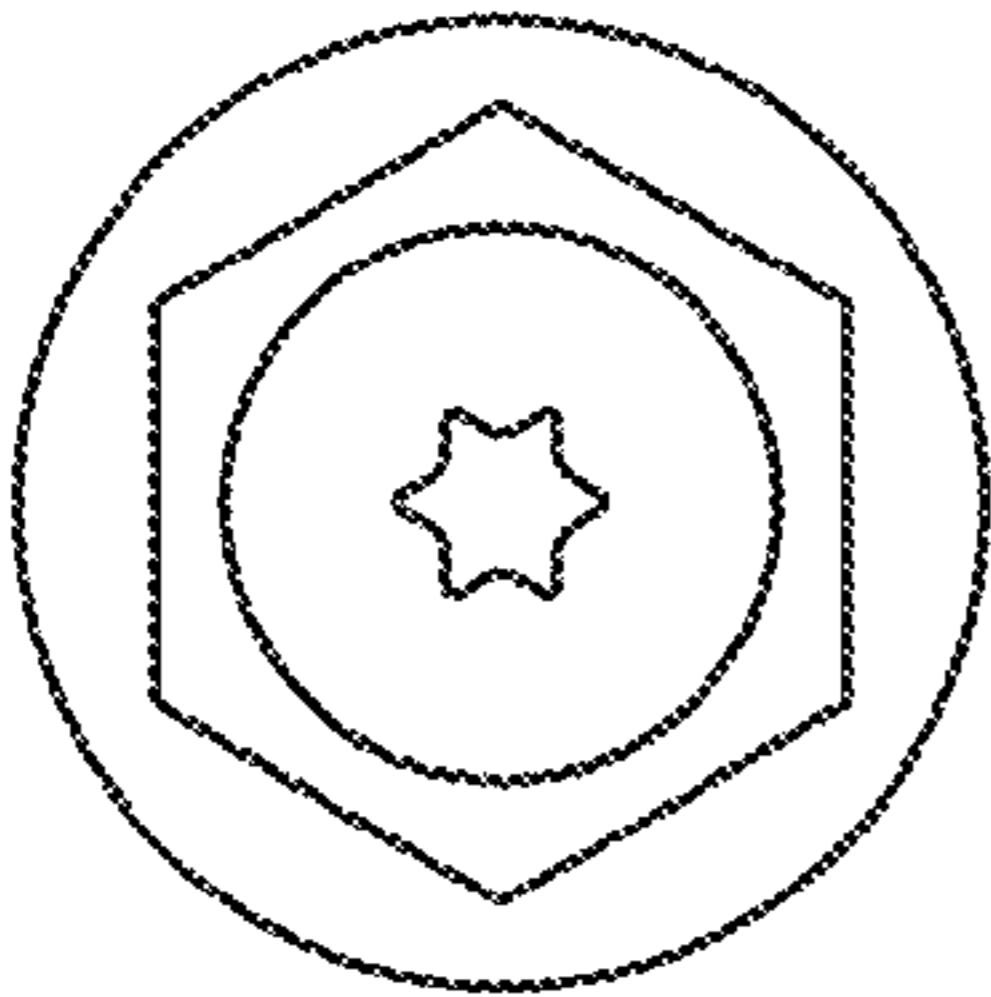


Fig. 9

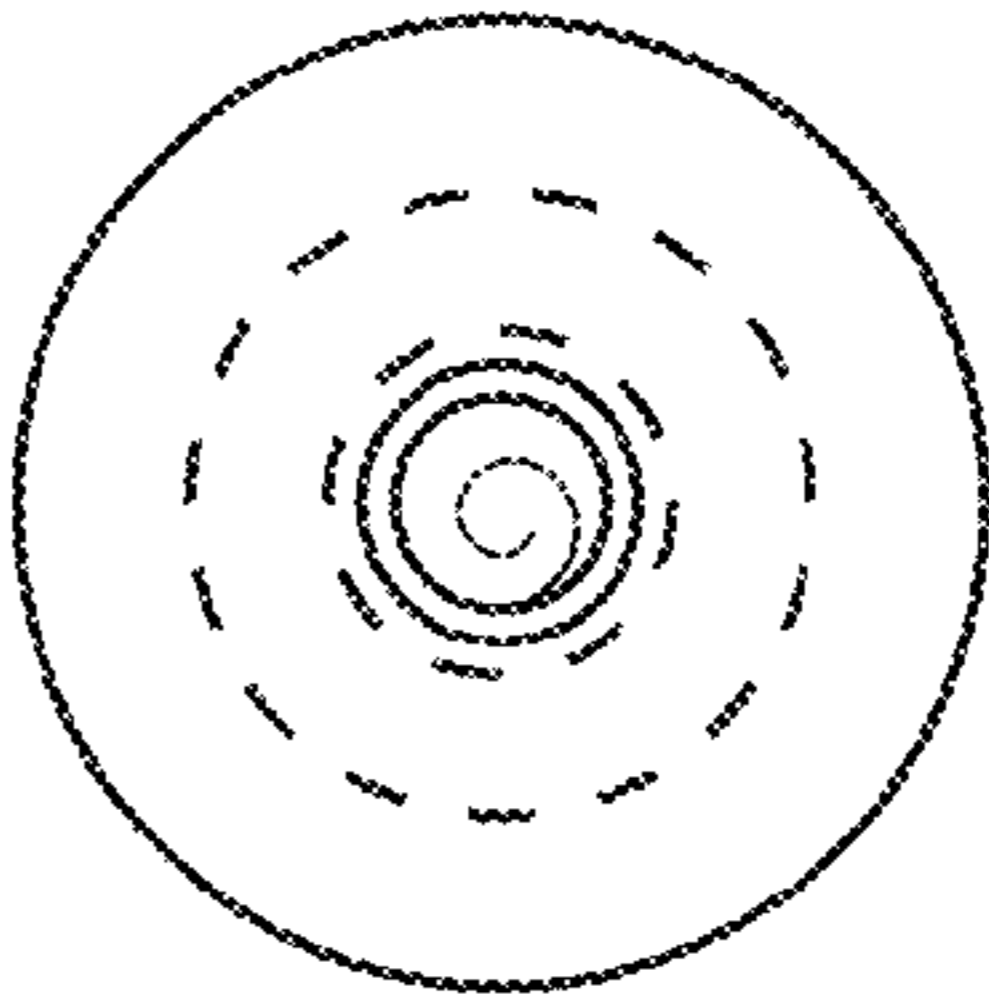


Fig. 10

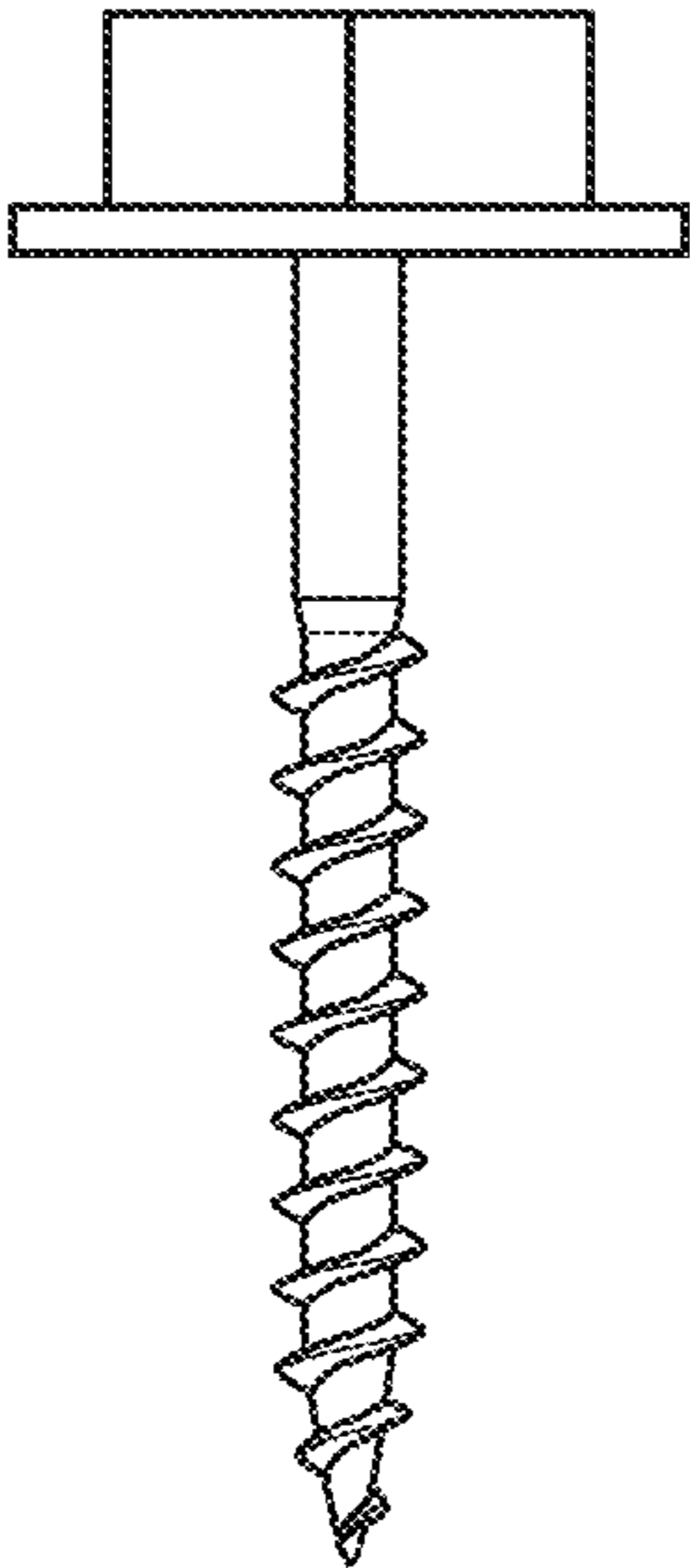


Fig. 11

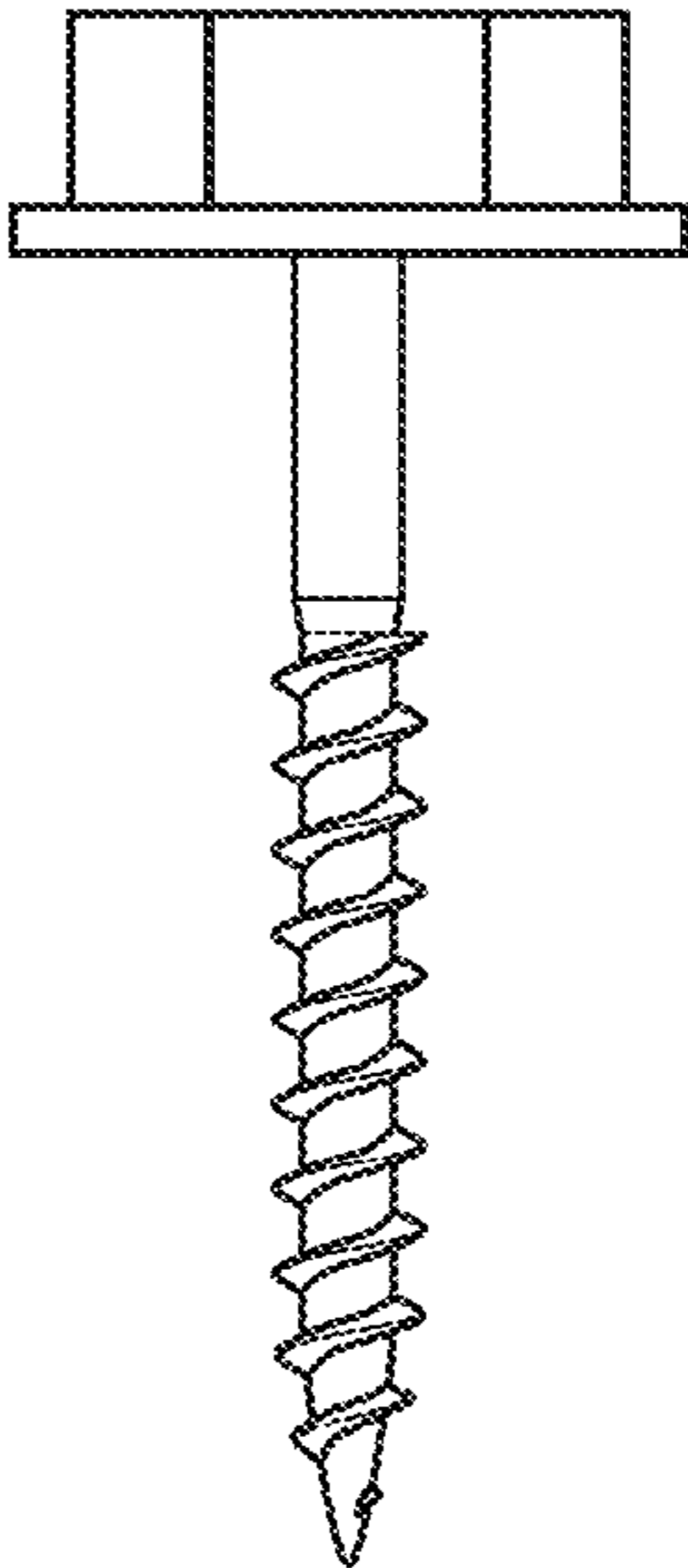


Fig. 12