



US00D733545S

(12) **United States Design Patent**
Charette

(10) **Patent No.:** **US D733,545 S**

(45) **Date of Patent:** **** Jul. 7, 2015**

(54) **REMOVABLE FLOOR ANCHOR**
(71) Applicant: **9143-8010 QUÉBEC INC.**, Shawinigan
Sud (CA)

D413,791 S * 9/1999 May D8/387
5,971,683 A * 10/1999 Hunt 410/106
D605,500 S * 12/2009 Lee et al. D8/387
D611,803 S * 3/2010 Lien D8/370
D639,646 S * 6/2011 Finley, Jr. D8/387

(72) Inventor: **Pierre Charette**,
Notre-Dame-du-Mont-Carmel (CA)

* cited by examiner

(**) Term: **14 Years**

Primary Examiner — Sheryl Lane

(21) Appl. No.: **29/464,815**

(74) *Attorney, Agent, or Firm* — Welsh Flaxman & Gitler
LLC

(22) Filed: **Aug. 21, 2013**

(51) **LOC (10) Cl.** **08-08**

(52) **U.S. Cl.**
USPC **D8/387**

(57) **CLAIM**

The ornamental design for a removable floor anchor, as
shown and described.

(58) **Field of Classification Search**
USPC D8/387, 367, 363; 411/441, 79, 80;
410/110, 106

DESCRIPTION

See application file for complete search history.

FIG. 1 is a front view of the removable floor anchor;
FIG. 2 is a left side view of the removable floor anchor;
FIG. 3 is a right side of the removable floor anchor;
FIG. 4 is a rear view of the removable floor anchor;
FIG. 5 is a top view of the removable floor anchor;
FIG. 6 is a bottom view of the removable floor anchor;
FIG. 7 is a perspective view of the removable floor anchor;
and,

(56) **References Cited**

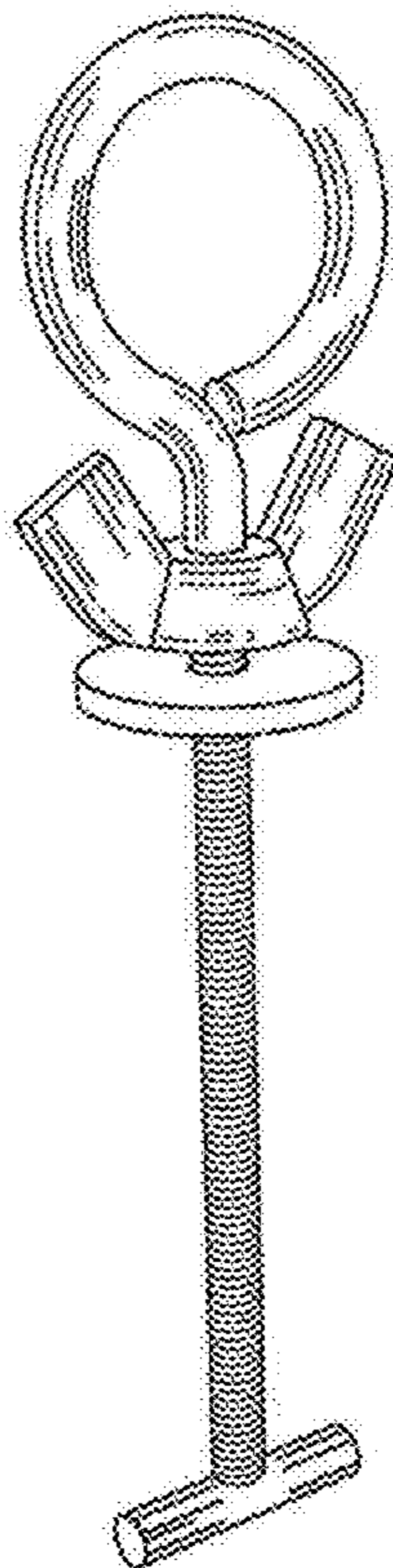
U.S. PATENT DOCUMENTS

D31,861 S * 11/1899 Copeland D13/132
3,421,726 A * 1/1969 Herbert 410/110
3,595,125 A * 7/1971 Jacobs 410/106
D297,912 S * 10/1988 Richards D8/323
D348,215 S * 6/1994 Melhorn D8/380
D354,905 S * 1/1995 Fitzmyers et al. D8/387
D413,509 S * 9/1999 Robertson D8/387

FIG. 8 is an environmental side view of the removable floor
anchor in use.

The broken lines represent environment and form no part of
the claimed design.

1 Claim, 7 Drawing Sheets



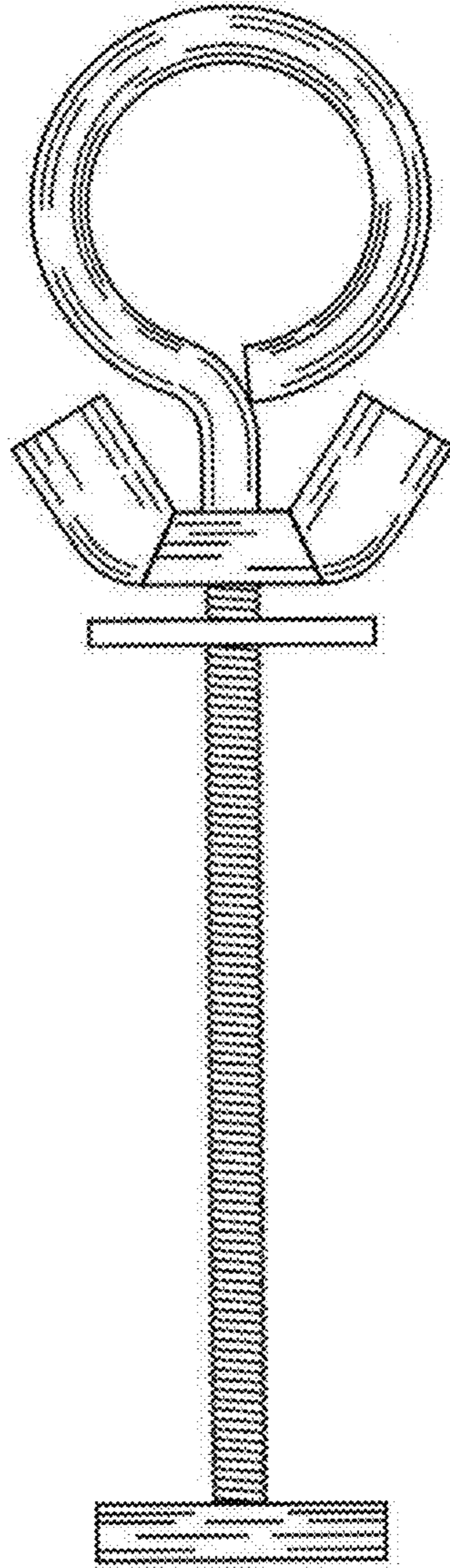


FIGURE 1

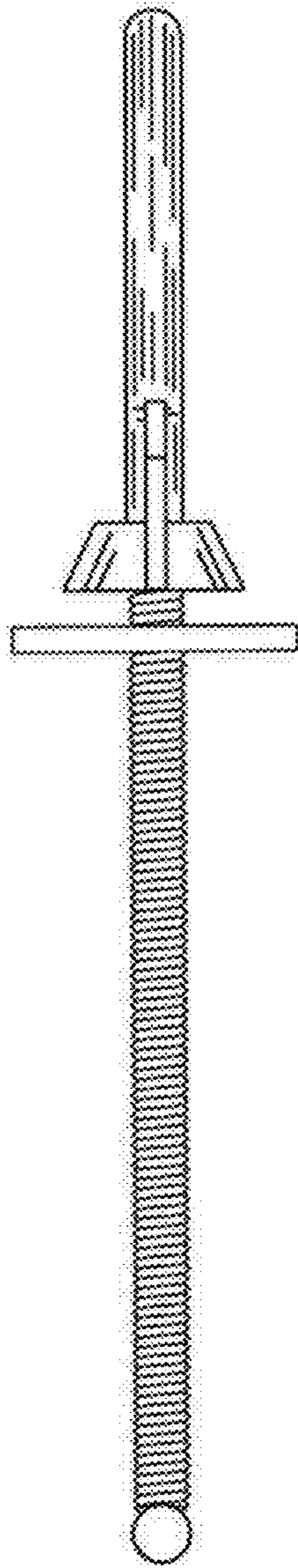


FIGURE 2

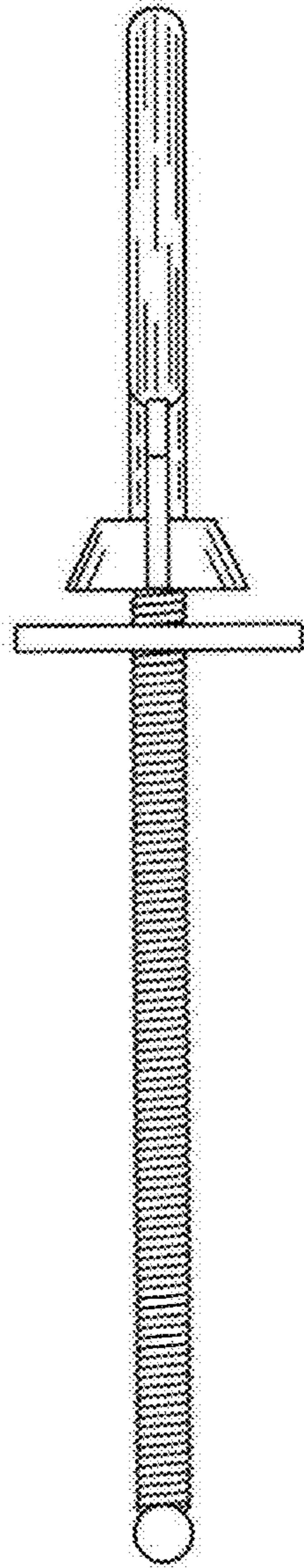


FIGURE 3

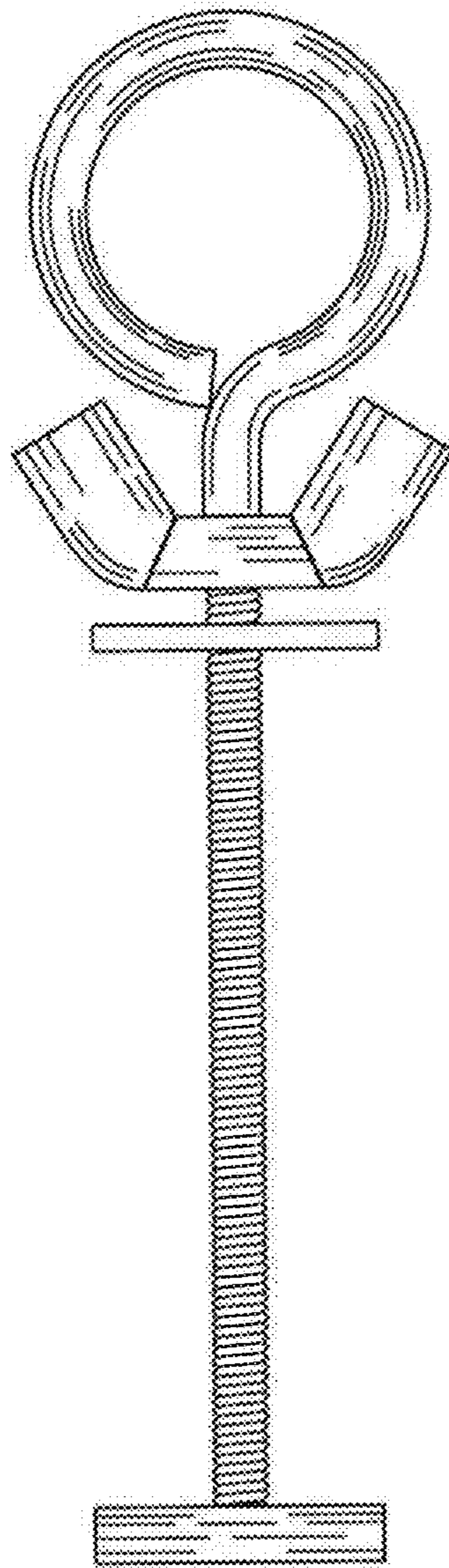


FIGURE 4

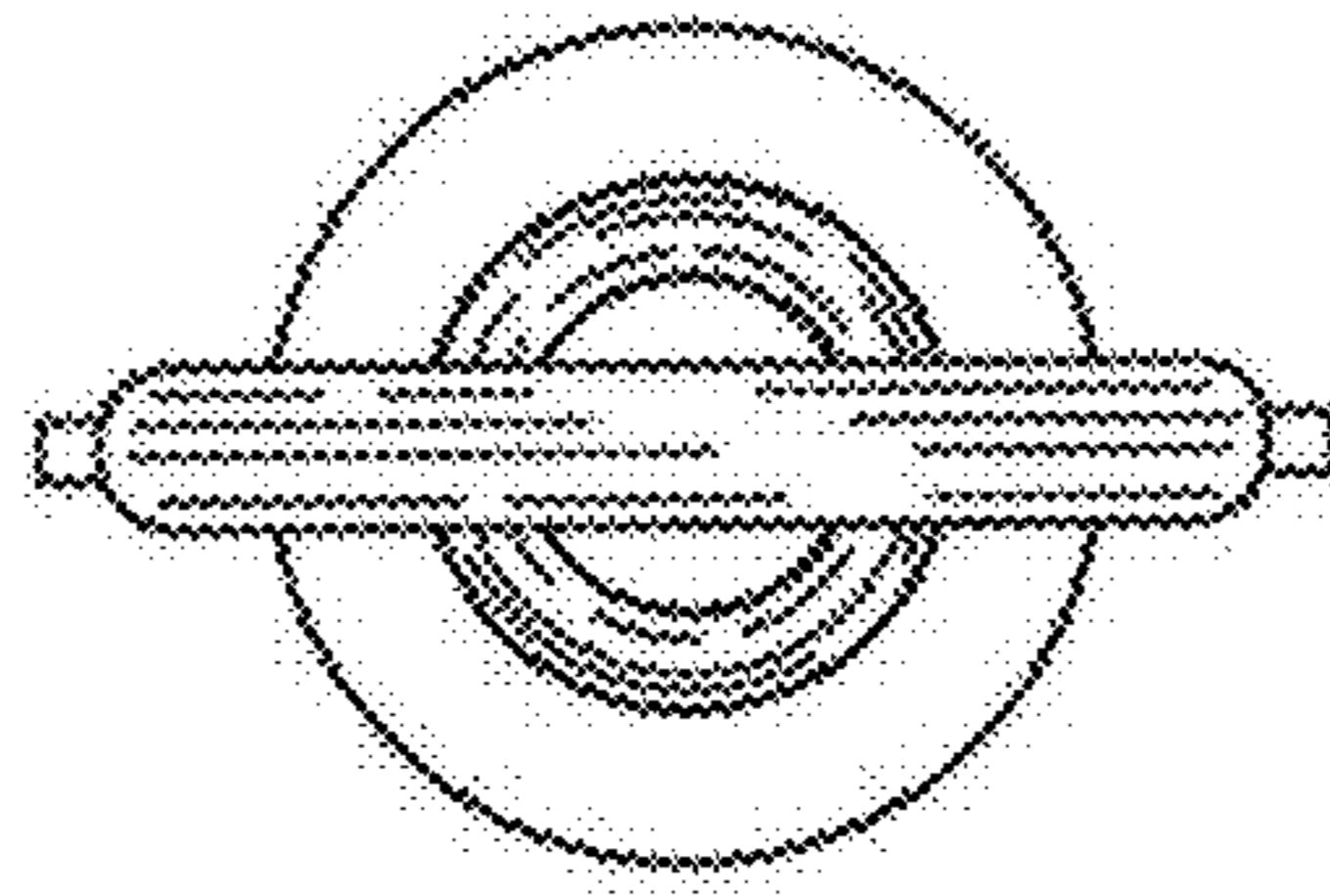


FIGURE 5

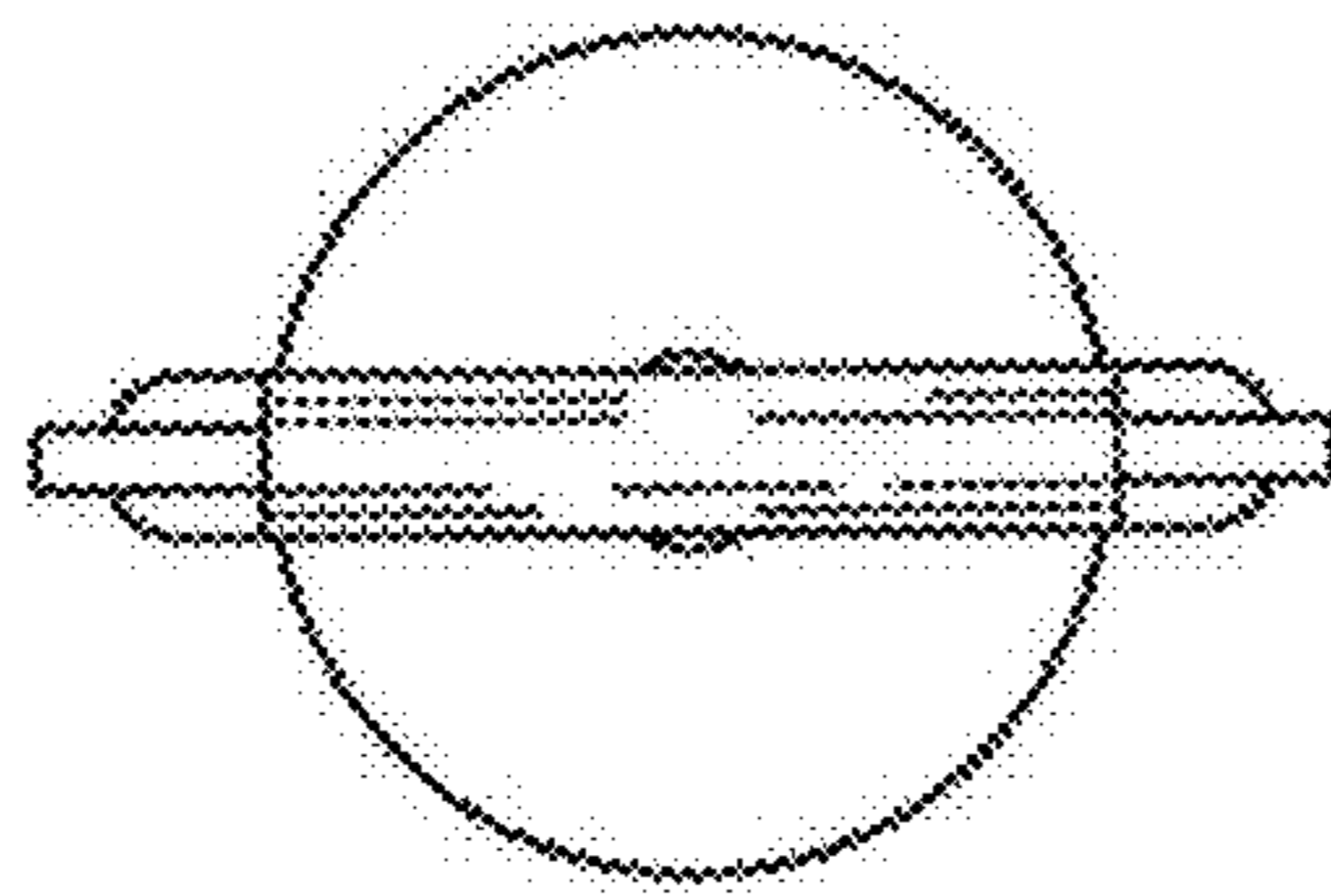


FIGURE 6

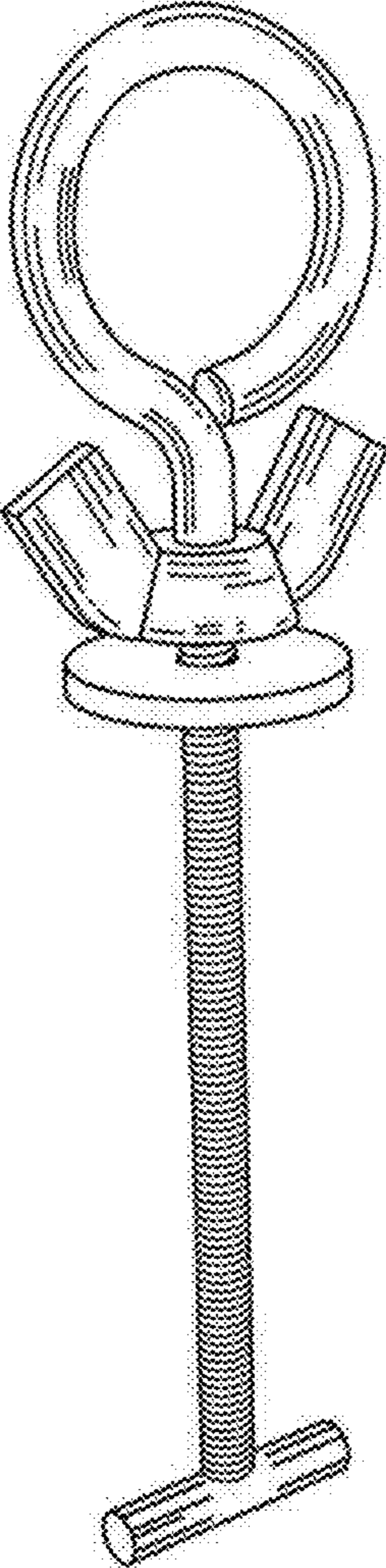


FIGURE 7

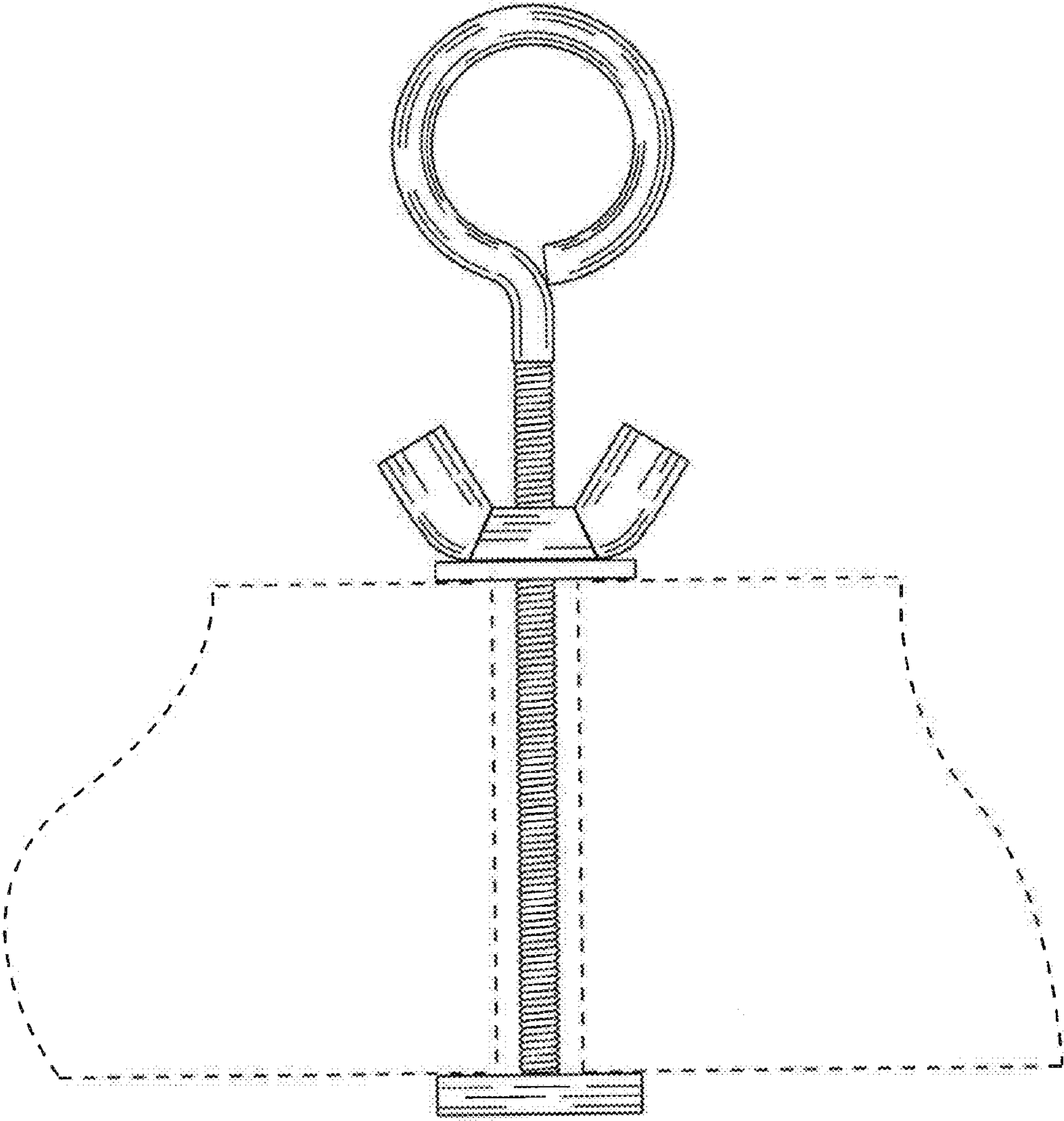


FIGURE 8