



US00D733544S

(12) **United States Design Patent**
Baur et al.

(10) **Patent No.:** **US D733,544 S**

(45) **Date of Patent:** **** Jul. 7, 2015**

(54) **CONNECTING ASSEMBLY INCLUDING A MALE PORTION AND A FEMALE PORTION**

(71) Applicants: **Franz Baur**, Oberstaufen (DE); **Lamello AG**, Bubendorf (CH); **Franz Haser**, Oberstaufen (DE)

(72) Inventors: **Franz Baur**, Oberstaufen (DE); **Franz Haser**, Oberstaufen (DE); **Philipp Seiler**, Arboldswil (CH); **Patrick Jeker**, Brislach (CH)

(73) Assignees: **Franz Baur**, Oberstaufen (DE); **Franz Haser**, Oberstaufen (DE); **Lamello AG**, Bubendorf (CH)

(**) Term: **14 Years**

(21) Appl. No.: **29/465,261**

(22) Filed: **Aug. 26, 2013**

(30) **Foreign Application Priority Data**

Feb. 27, 2013	(DE)	10 2013 203 289
Feb. 27, 2013	(EM)	002192724
Feb. 27, 2013	(EM)	002192724-0001
Feb. 27, 2013	(EM)	002192724-0002
Feb. 27, 2013	(EM)	002192724-0003
Feb. 27, 2013	(EM)	002192724-0004
Feb. 27, 2013	(EM)	002192724-0005
Feb. 27, 2013	(EM)	002192724-0006
Feb. 27, 2013	(EM)	002192724-0007
Feb. 27, 2013	(EM)	002192724-0008
Feb. 27, 2013	(EM)	002192724-0009
Feb. 27, 2013	(EM)	002192724-0010
Feb. 27, 2013	(EM)	002192724-0011
Feb. 27, 2013	(EM)	002192724-0012

(51) **LOC (10) Cl.** **08-08**

(52) **U.S. Cl.**
USPC **D8/382**

(58) **Field of Classification Search**
USPC D8/382, 339, 341, 336, 331, 396, 349;
24/92; 403/408.1, 245, 256, 257, 321,
403/292; 292/241

CPC .. F16L 37/08; F16L 37/0845; A47B 88/0407;
B29C 53/785; E04B 2001/2424; E04B
2001/2454; F16B 2/12; F16B 2/06
See application file for complete search history.

(56) **References Cited**

U.S. PATENT DOCUMENTS

4,641,988	A *	2/1987	Ganner	403/245
4,826,222	A *	5/1989	Davis	292/241
5,517,730	A *	5/1996	Ho	24/92
5,529,428	A *	6/1996	Bischof	403/408.1
5,730,544	A *	3/1998	Dils et al.	403/292
D422,893	S *	4/2000	Heredos-Formby	D8/382
D484,030	S *	12/2003	Thach	D8/382
D525,111	S *	7/2006	Farrell et al.	D8/331
D528,400	S *	9/2006	Vetter	D8/331
D531,887	S *	11/2006	Rimer, Jr.	D8/382
D539,129	S *	3/2007	Griffiths	D8/382
D560,484	S *	1/2008	Smith	D8/396
D640,537	S *	6/2011	Parks et al.	D8/396
8,092,114	B2	1/2012	Baur et al.	
8,240,942	B2	8/2012	Baur et al.	
D686,903	S *	7/2013	Guichot	D8/331

FOREIGN PATENT DOCUMENTS

DE	2642488	12/1977
DE	102011102051	11/2012

OTHER PUBLICATIONS

Tenso P-14, Lamello [online], [retrieved on Mar. 3, 2015]. Retrieved from the Internet <URL: <http://www.lamello.com/en/home/join-wood/p-system/tenso-p-14.html>>.*

German Patent Office, "Office action" issued in connection with German patent application No. 10 2013 203 289.7, mailed Apr. 16, 2013, 12 pages, including English translation.

International Searching Authority, International Search Report issued in connection with International Application No. PCT/EP2014/052832, dated May 9, 2014, 5 pages.

IP Australia, Office action issued in connection with Australian Registration No. 351764, dated Mar. 26, 2014, 6 pages.

* cited by examiner

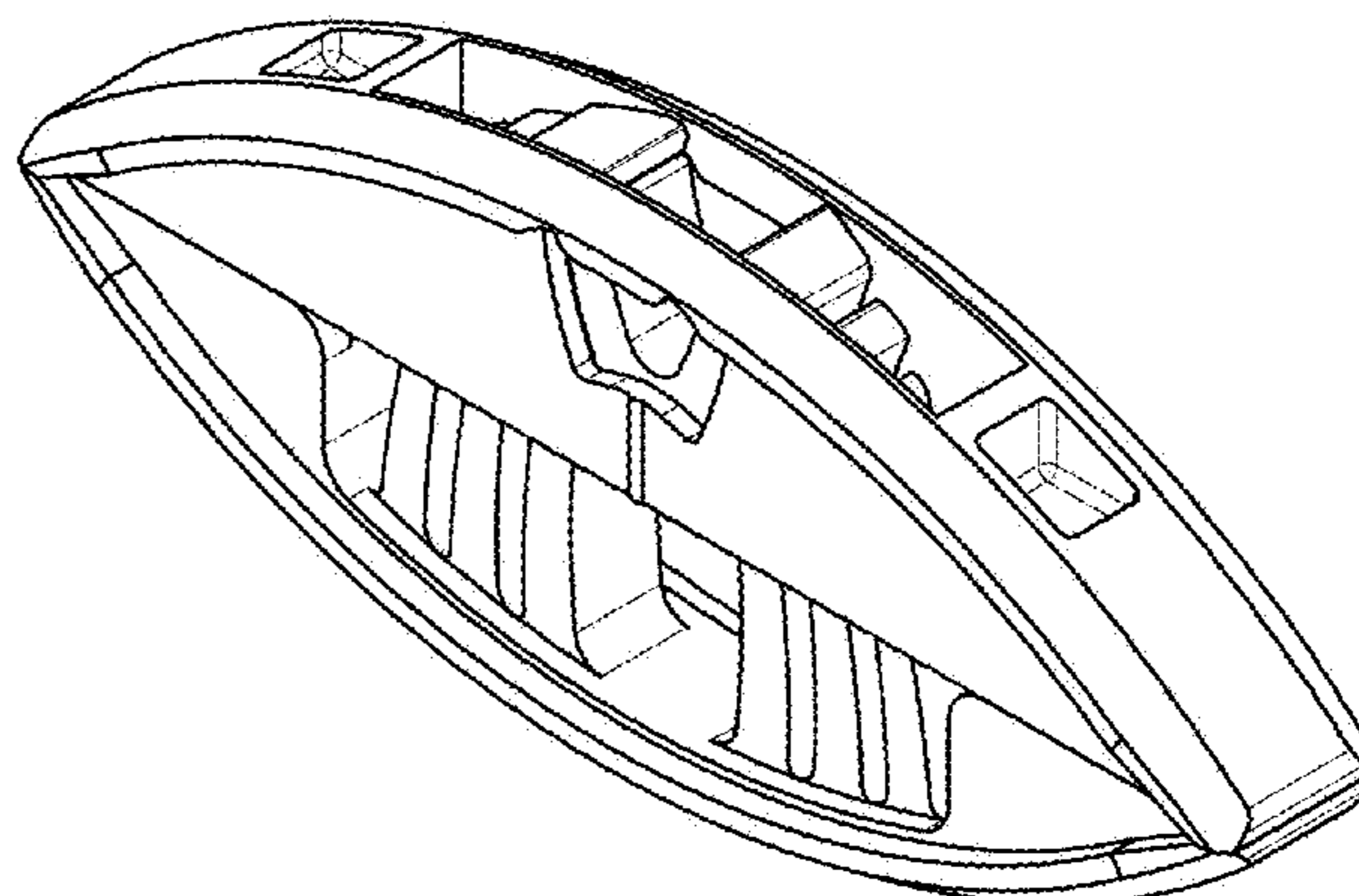
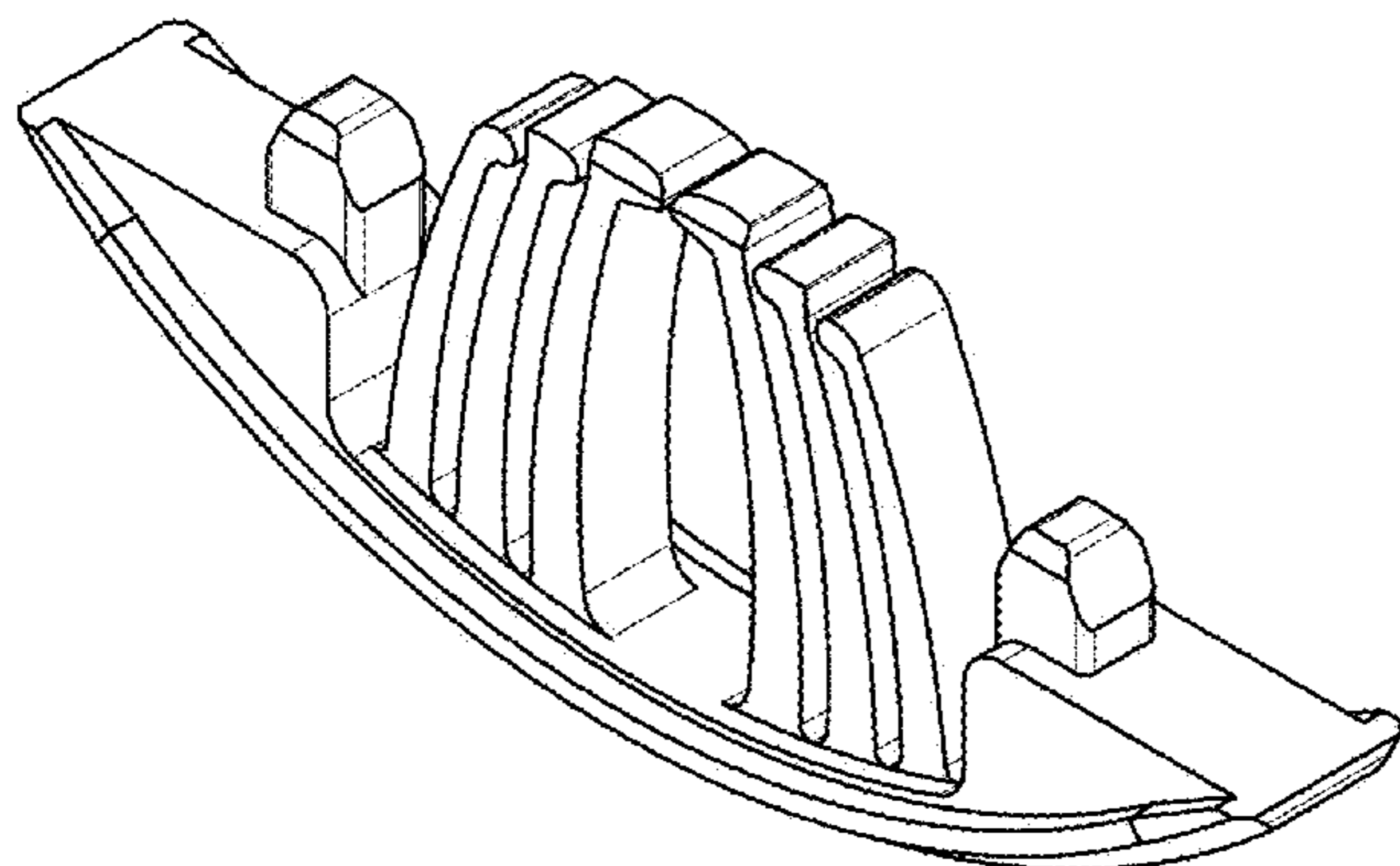
Primary Examiner — Sheryl Lane

Assistant Examiner — Nicole Shiflet

(74) *Attorney, Agent, or Firm* — Hanley, Flight & Zimmerman, LLC

(57) **CLAIM**

The ornamental design for a connecting assembly including a male portion and a female portion, as shown and described.



DESCRIPTION

FIG. 1 is a perspective view of a male portion of a connecting assembly.

FIG. 2 is a left side view of the male portion of FIG. 1 of the connecting assembly.

FIG. 3 is a first end view of the male portion of FIG. 1 of the connecting assembly.

FIG. 4 is a right side view of the male portion of FIG. 1 of the connecting assembly.

FIG. 5 is a second end view of the male portion of FIG. 1 of the connecting assembly.

FIG. 6 is a top view of the male portion of FIG. 1 of the connecting assembly.

FIG. 7 is a bottom view of the male portion of FIG. 1 of the connecting assembly.

FIG. 8 is a perspective view of a female portion of a connecting assembly.

FIG. 9 is a left side view of the female portion of FIG. 8 of the connecting assembly.

FIG. 10 is a first end view of the female portion of FIG. 8 of the connecting assembly.

FIG. 11 is a right side view of the female portion of FIG. 8 of the connecting assembly.

FIG. 12 is a second end view of the female portion of FIG. 8 of the connecting assembly.

FIG. 13 is a top view of the female portion of FIG. 8 of the connecting assembly.

FIG. 14 is a bottom view of the female portion of FIG. 8 of the connecting assembly.

FIG. 15 is a perspective view of a connecting assembly including the male portion of FIG. 1 and the female portion of FIG. 8.

FIG. 16 is a left side view of the connecting assembly of FIG. 15 including the male portion of FIG. 1 and the female portion of FIG. 8.

FIG. 17 is a first end view of the connecting assembly of FIG. 15 including the male portion of FIG. 1 and the female portion of FIG. 8.

FIG. 18 is a right side view of the connecting assembly of FIG. 15 including the male portion of FIG. 1 and the female portion of FIG. 8.

FIG. 19 is a second end view of the of the connecting assembly of FIG. 15 including the male portion of FIG. 1 and the female portion of FIG. 8.

FIG. 20 is a top view of the connecting assembly of FIG. 15 including the male portion of FIG. 1 and the female portion of FIG. 8.

FIG. 21 is a bottom view of the connecting assembly of FIG. 15 including the male portion of FIG. 1 and the female portion of FIG. 8.

FIG. 22 is a perspective view of a male portion of a connecting assembly. The horizontal dashed hatching represents a color.

FIG. 23 is a left side view of the male portion of FIG. 22 of the connecting assembly. The horizontal dashed hatching represents a color.

FIG. 24 is a first end view of the male portion of FIG. 22 of the connecting assembly. The horizontal dashed hatching represents a color.

FIG. 25 is a right side view of the male portion of FIG. 22 of the connecting assembly. The horizontal dashed hatching represents a color.

FIG. 26 is a second end view of the male portion of FIG. 22 of the connecting assembly. The horizontal dashed hatching represents a color.

FIG. 27 is a top view of the male portion of FIG. 22 of the connecting assembly. The horizontal dashed hatching represents a color; and,

FIG. 28 is a bottom view of the male portion of FIG. 22 of the connecting assembly. The horizontal dashed hatching represents a color.

The drawing is lined for color.

1 Claim, 28 Drawing Sheets

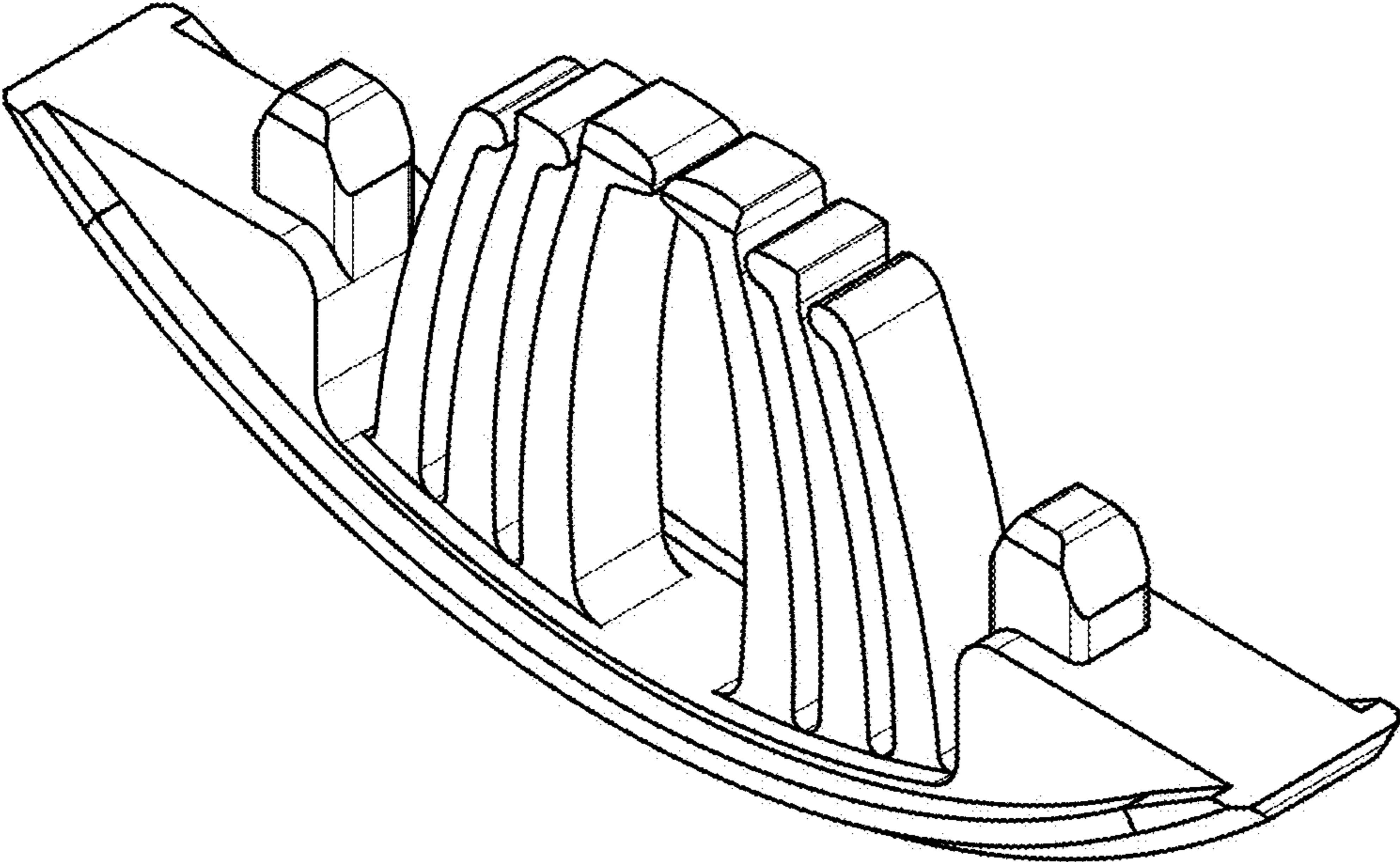


FIG. 1

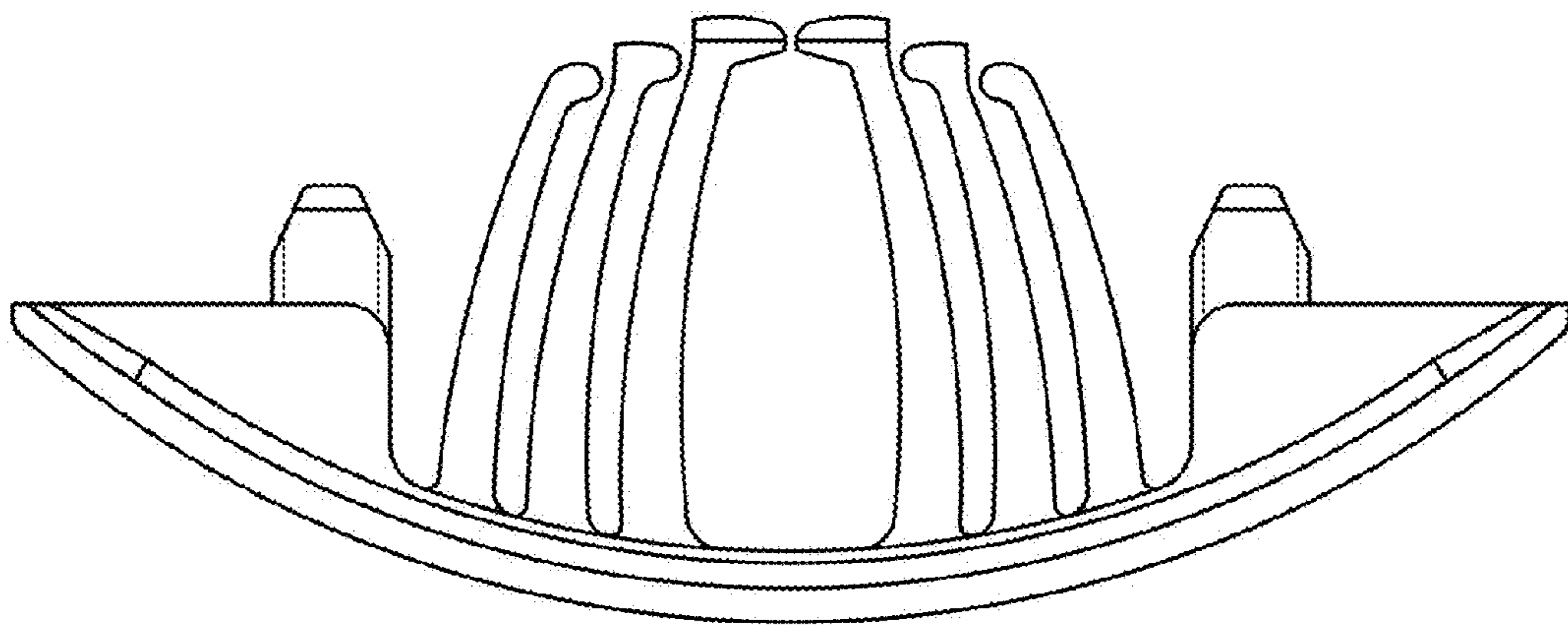


FIG. 2

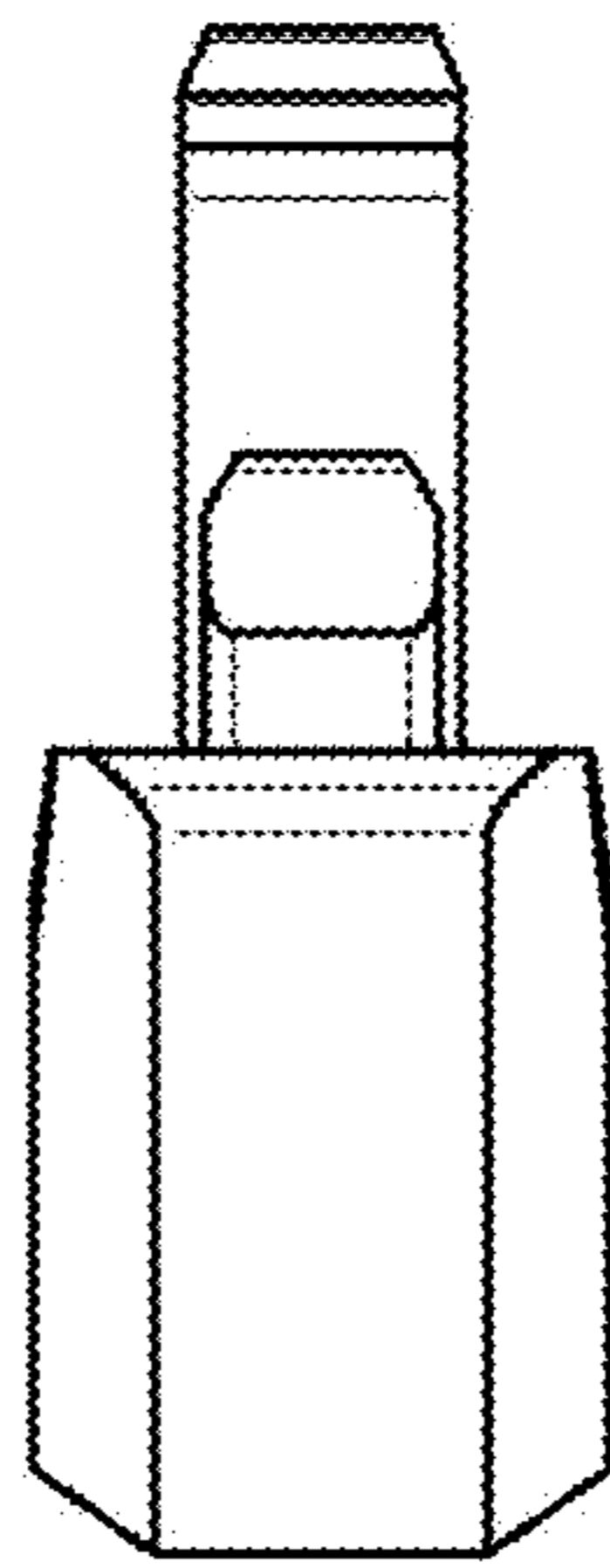


FIG. 3

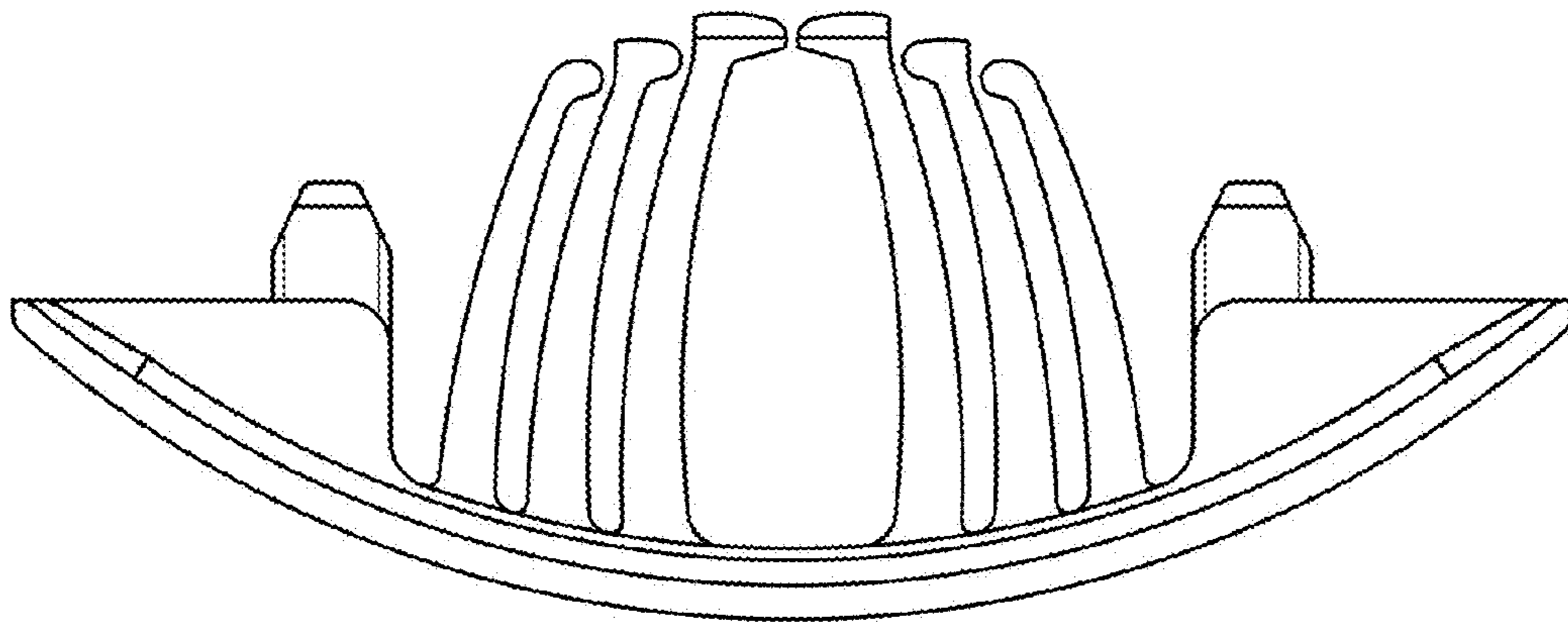


FIG. 4

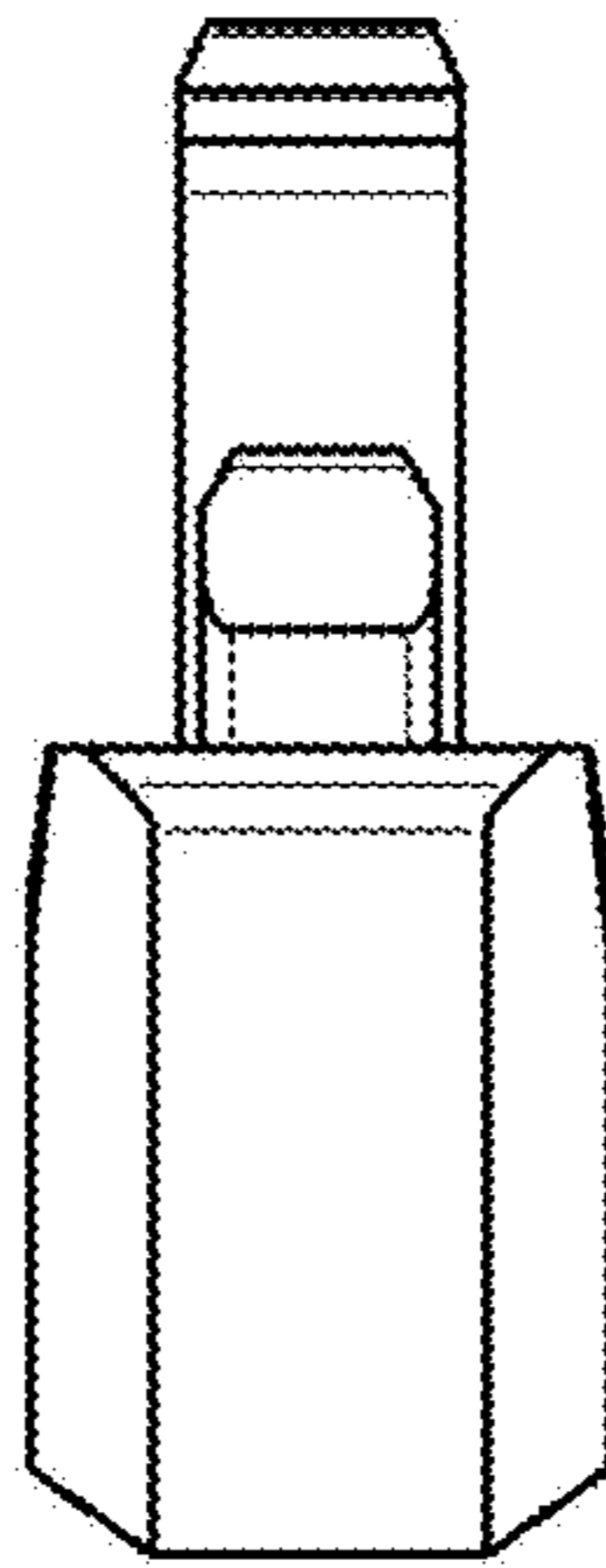


FIG. 5

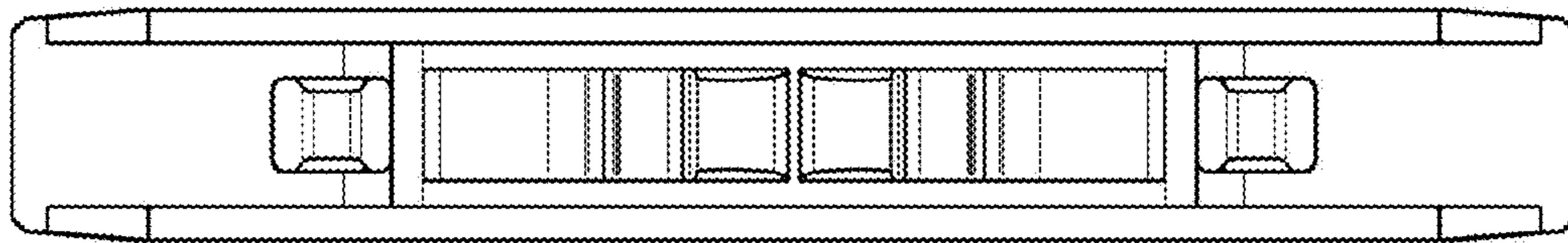


FIG. 6

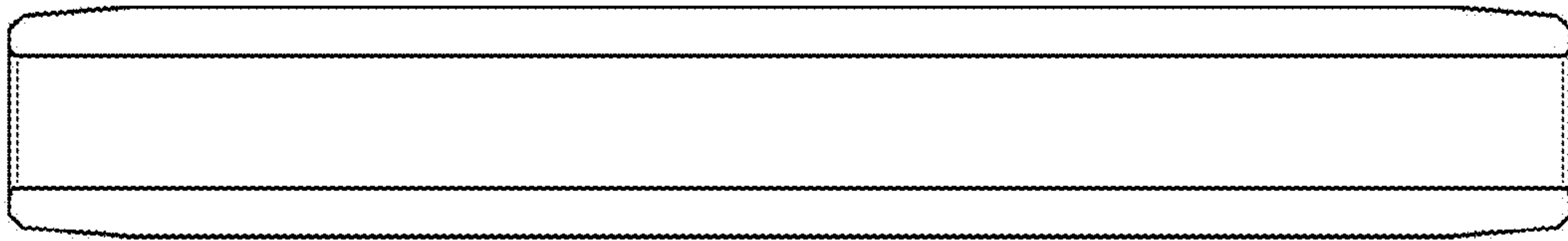


FIG. 7

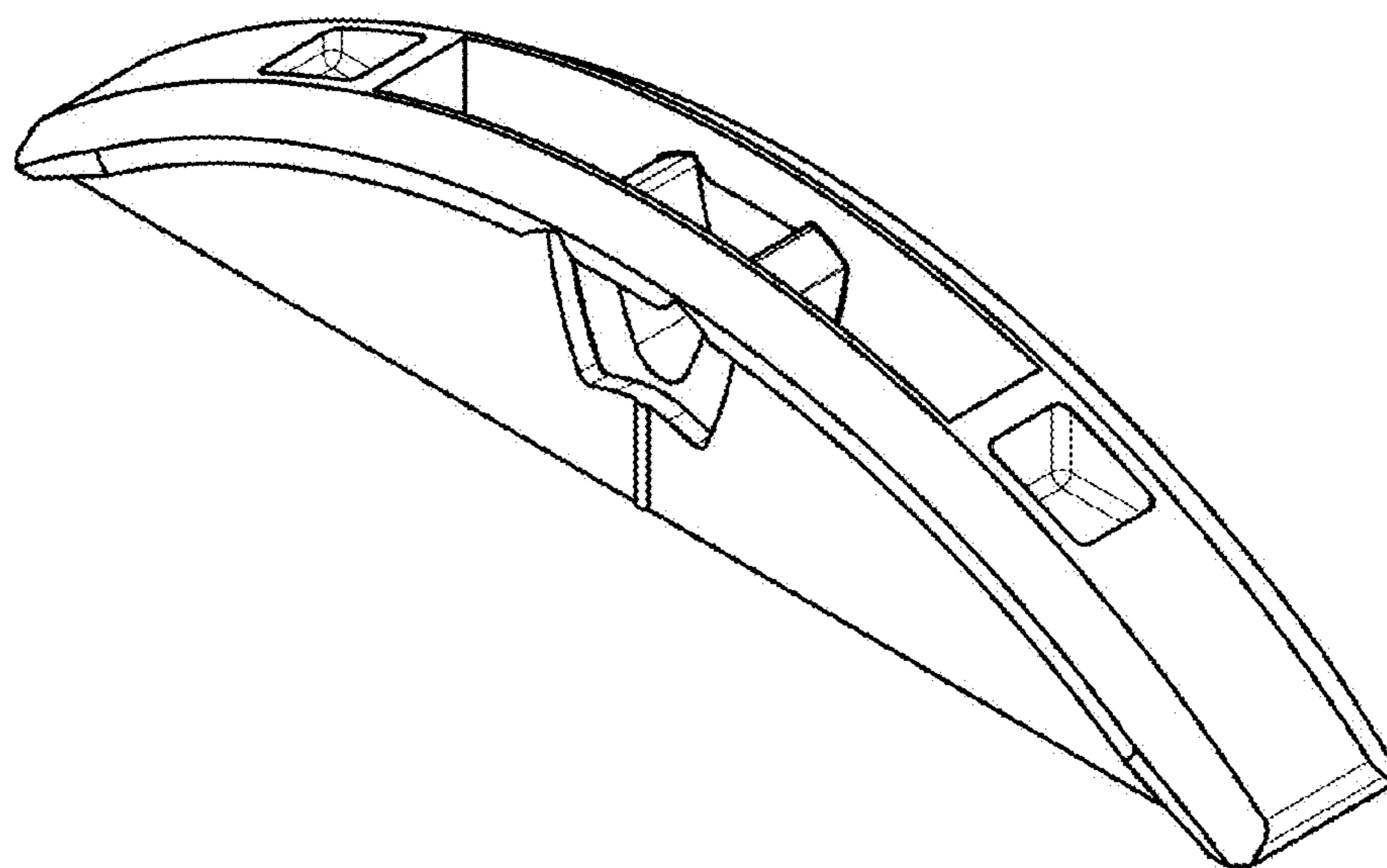


FIG. 8

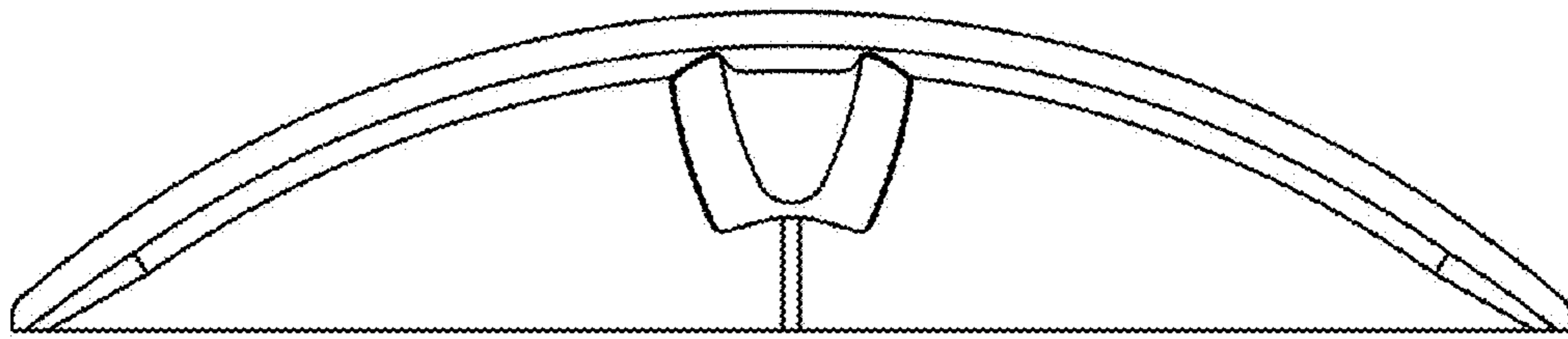


FIG. 9

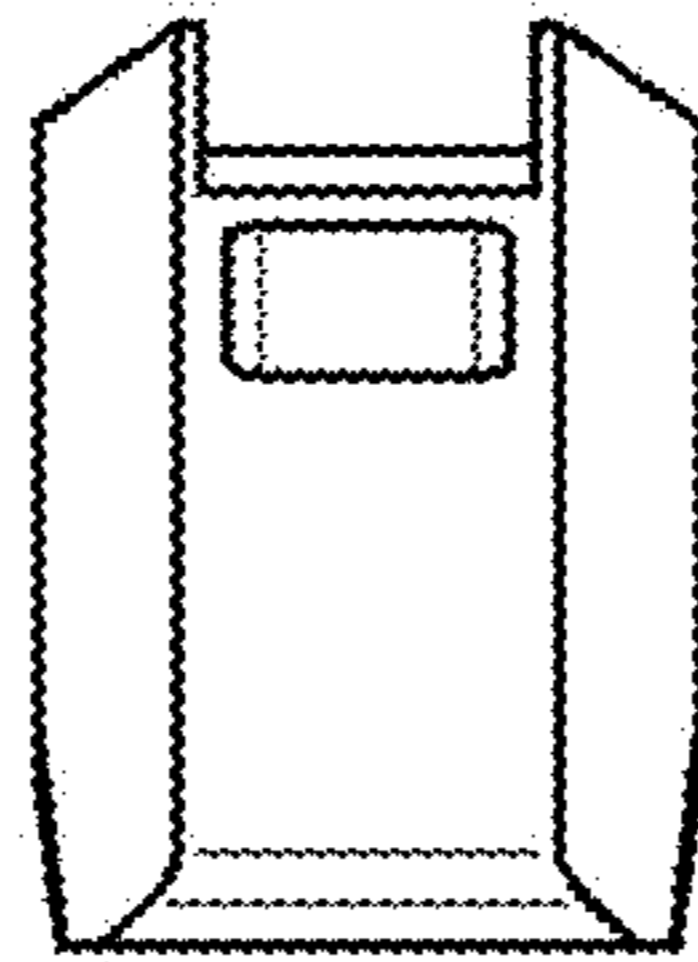


FIG. 10

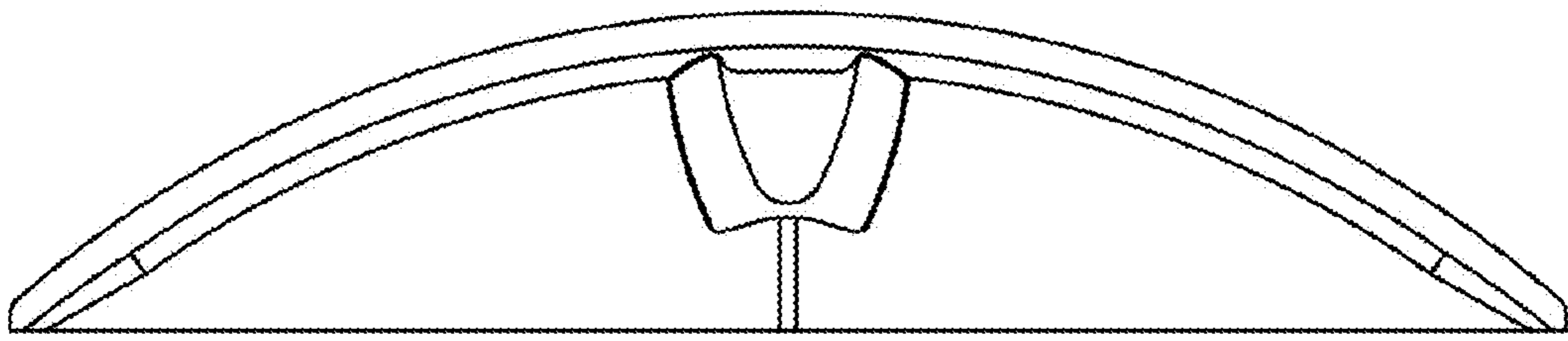


FIG. 11

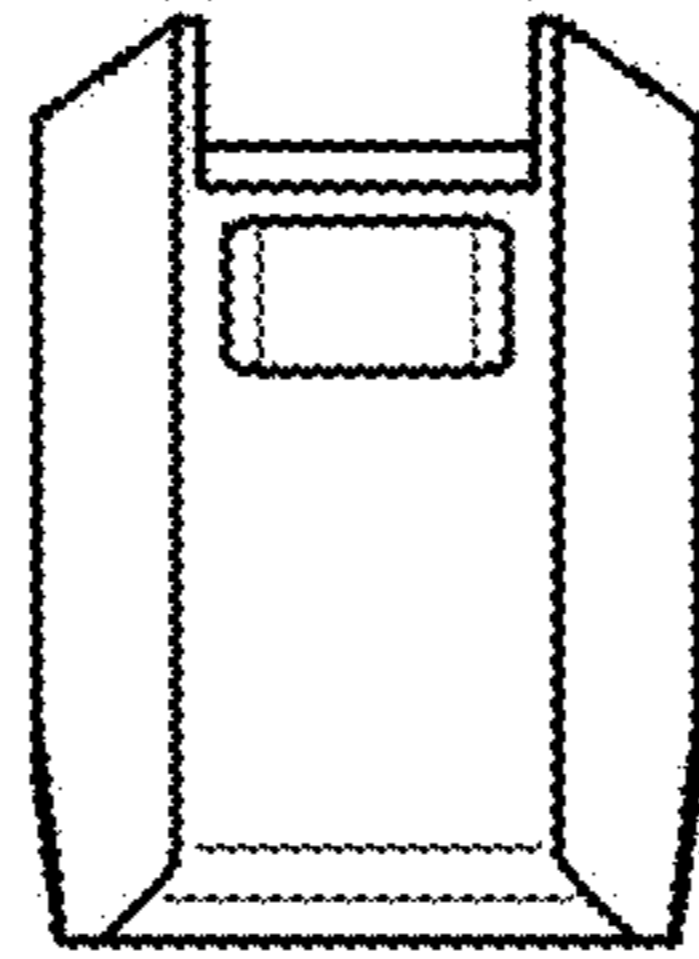


FIG. 12

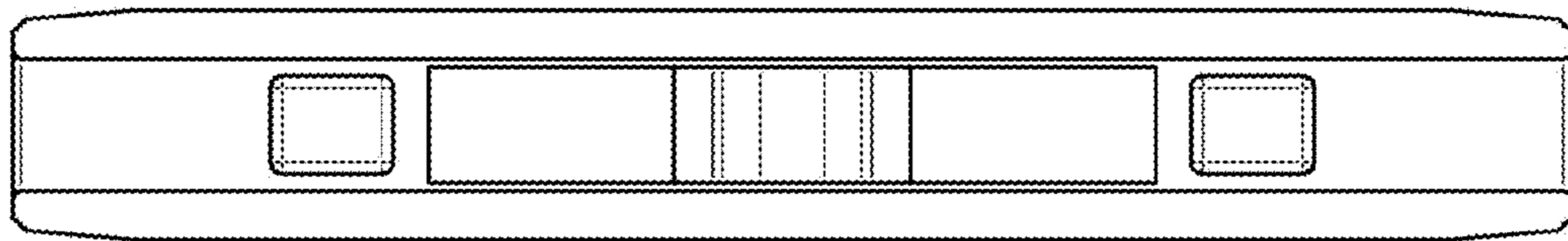


FIG. 13



FIG. 14

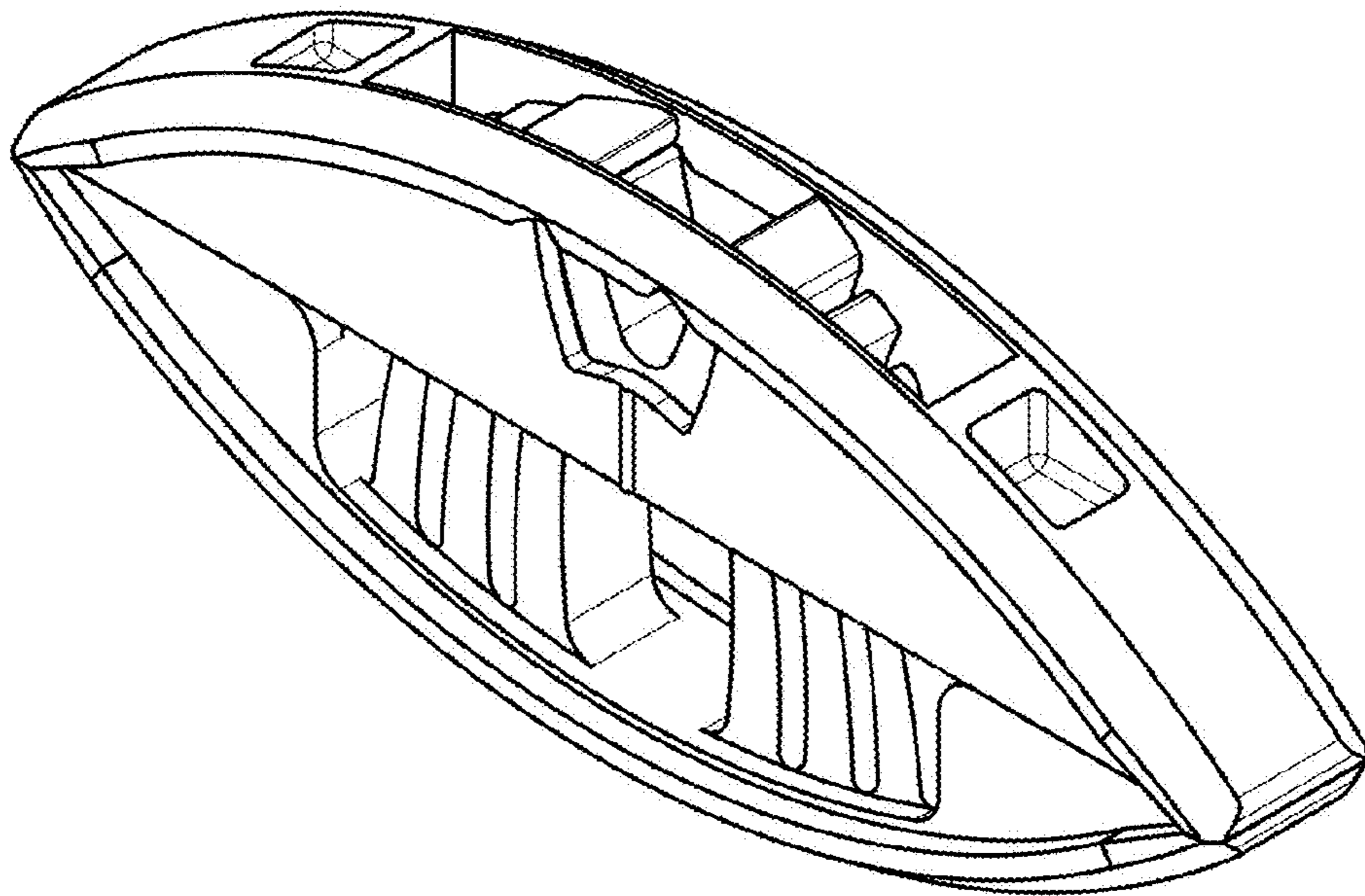


FIG. 15

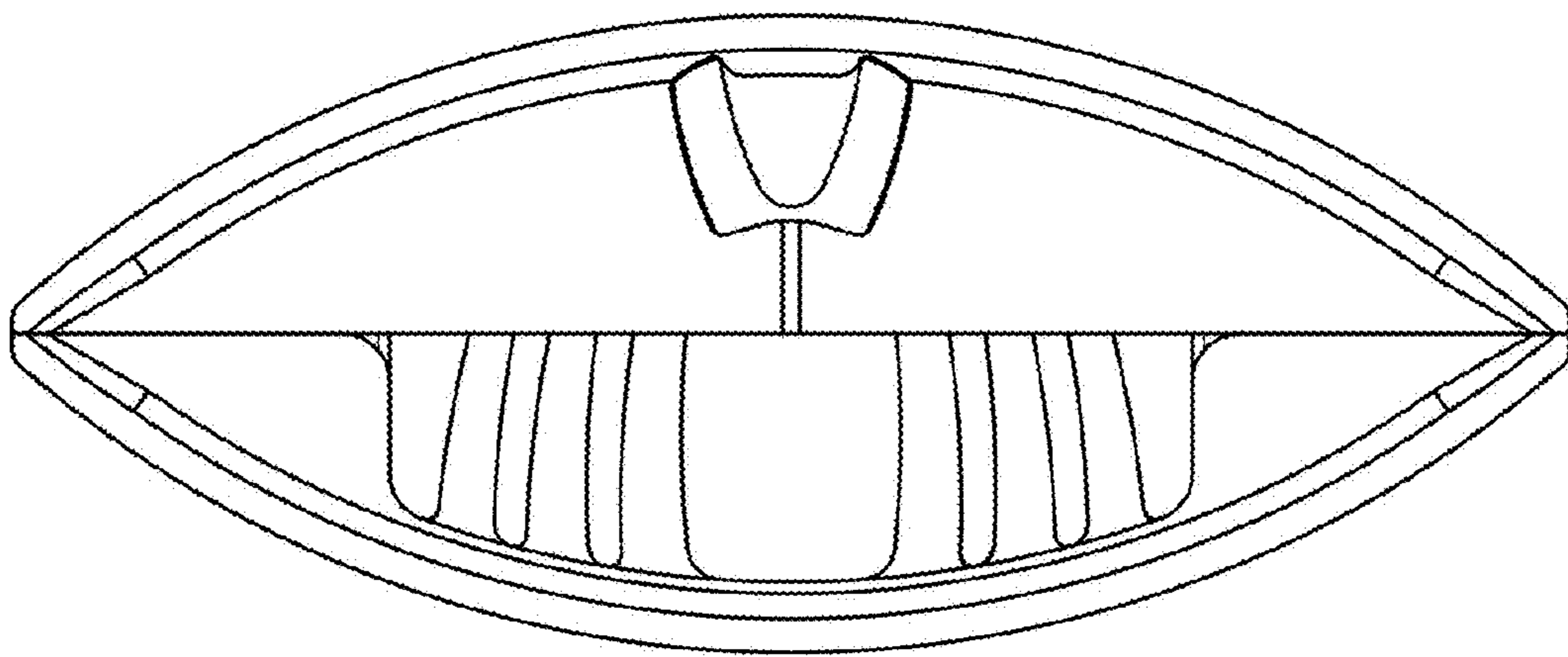


FIG. 16

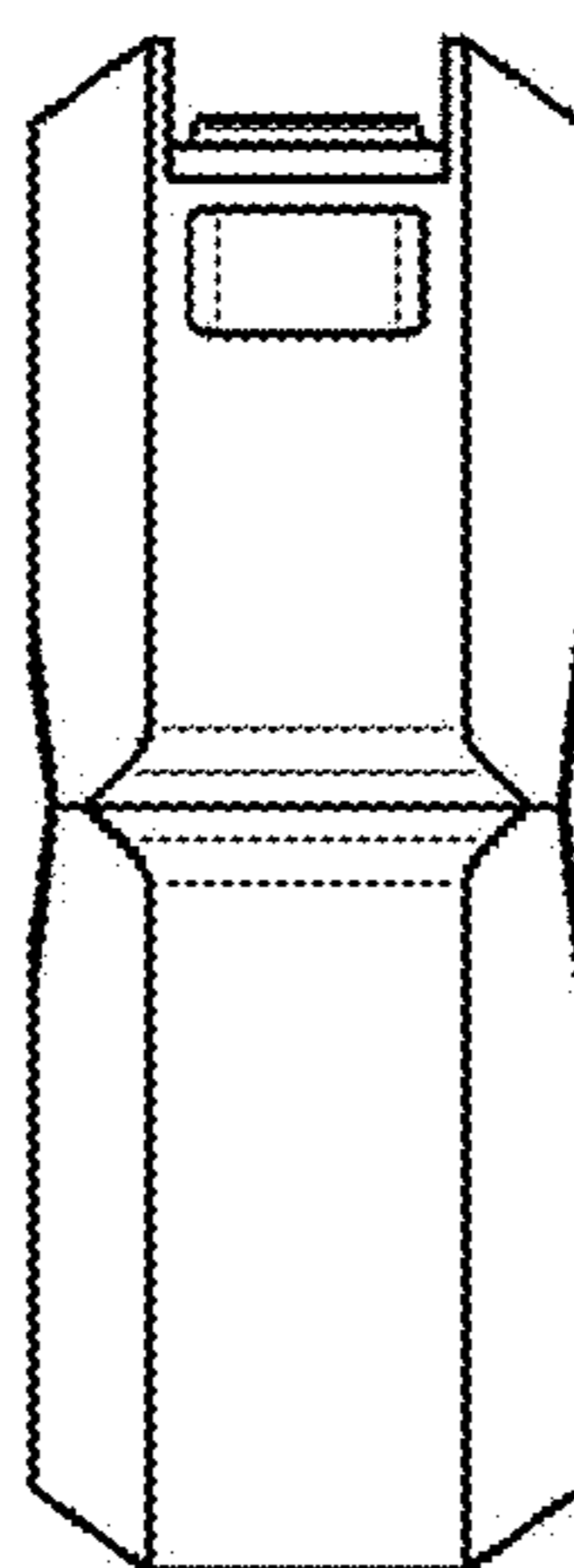


FIG. 17

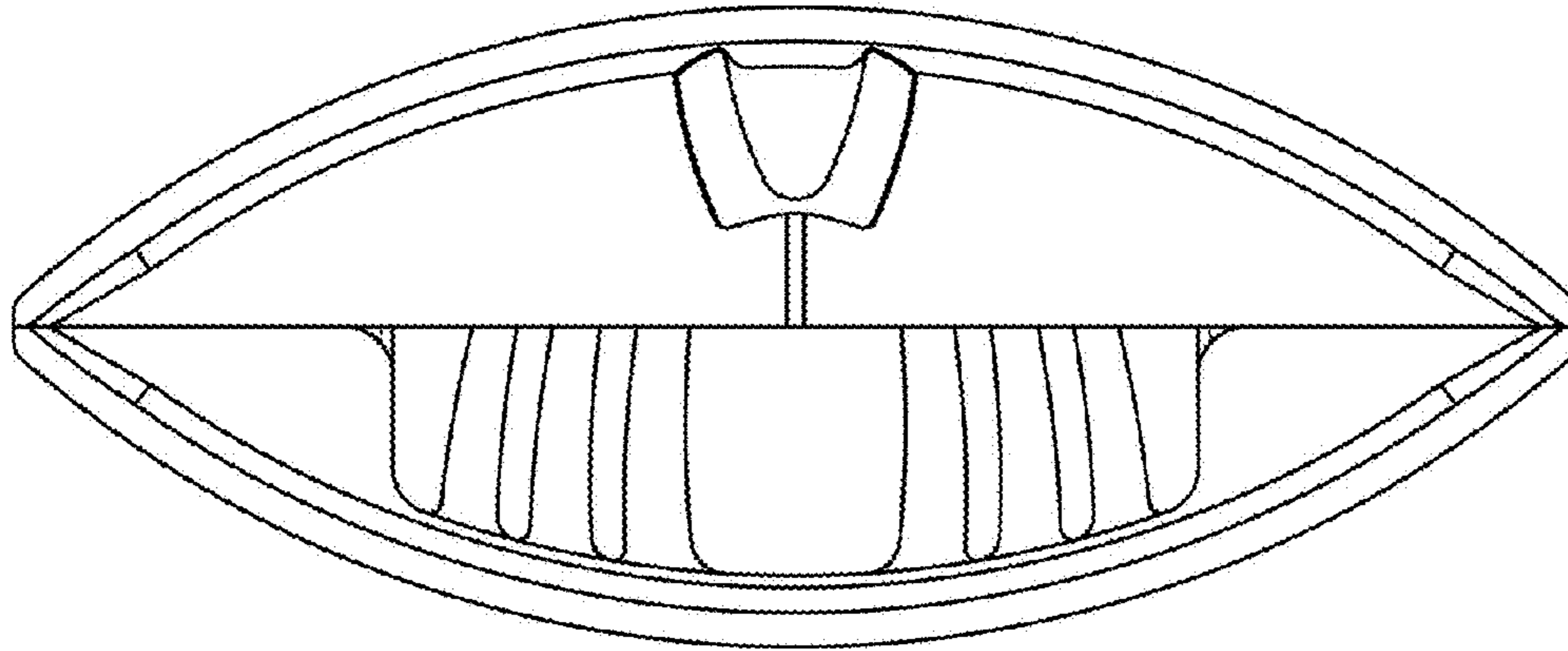


FIG. 18

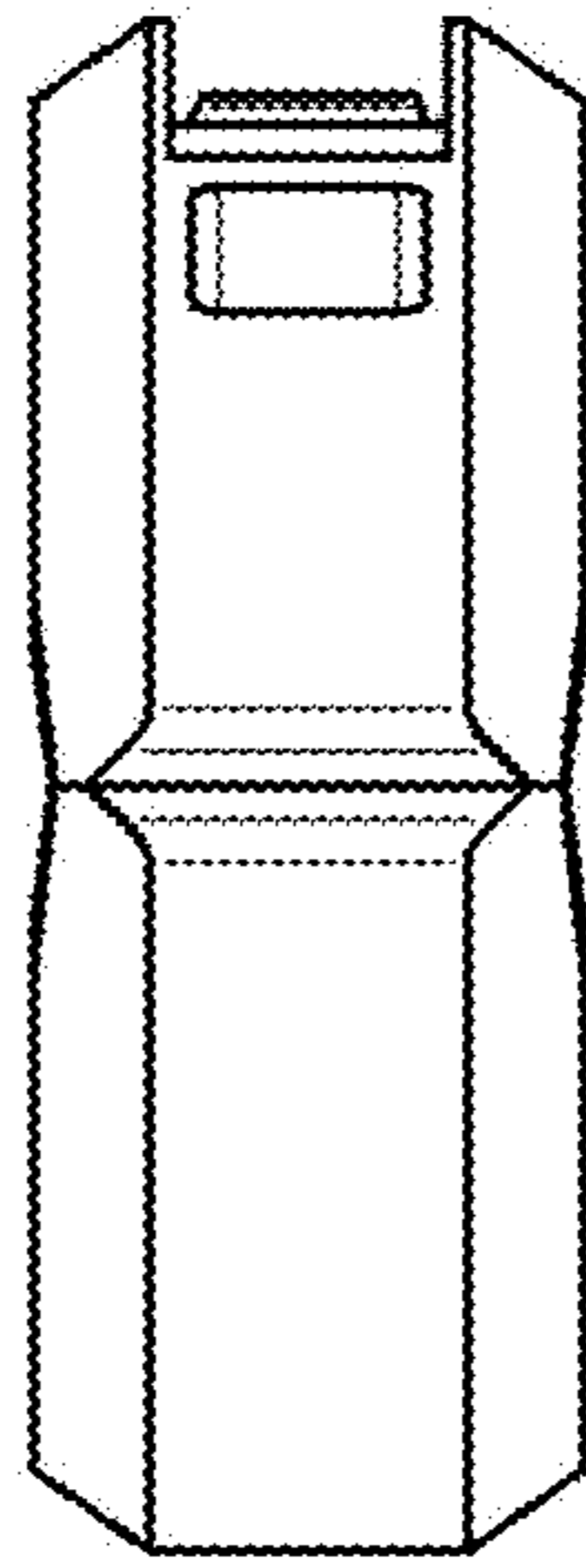


FIG. 19

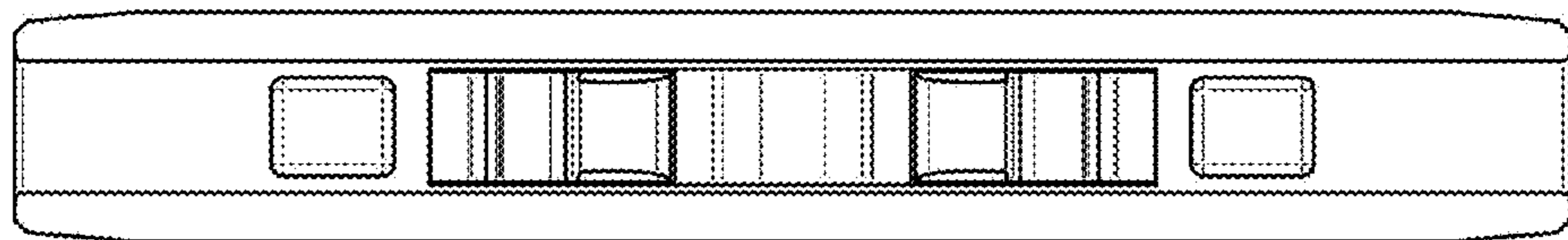


FIG. 20

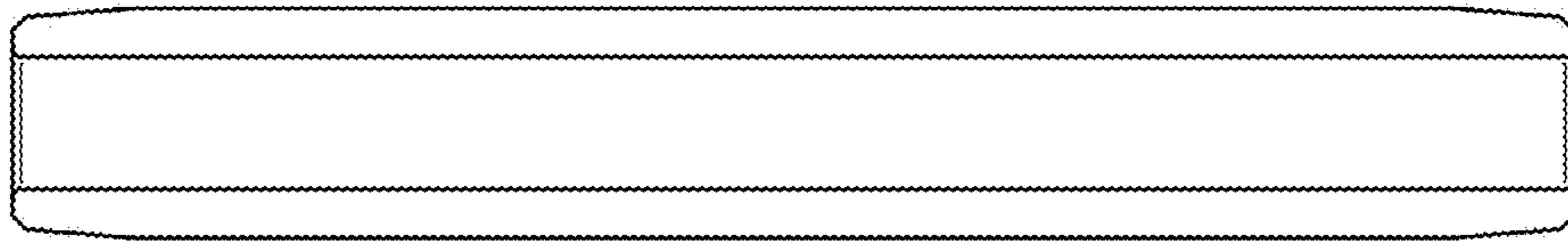


FIG. 21

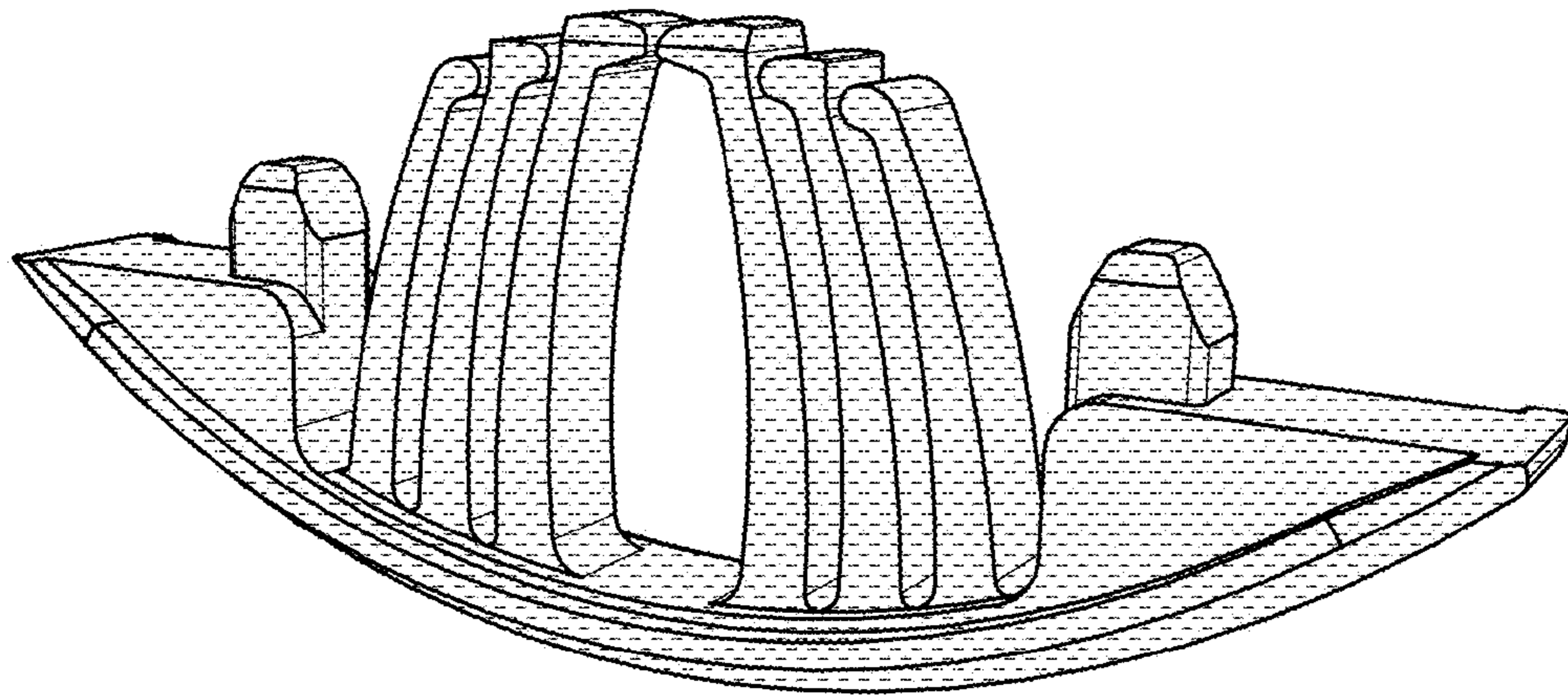


FIG. 22

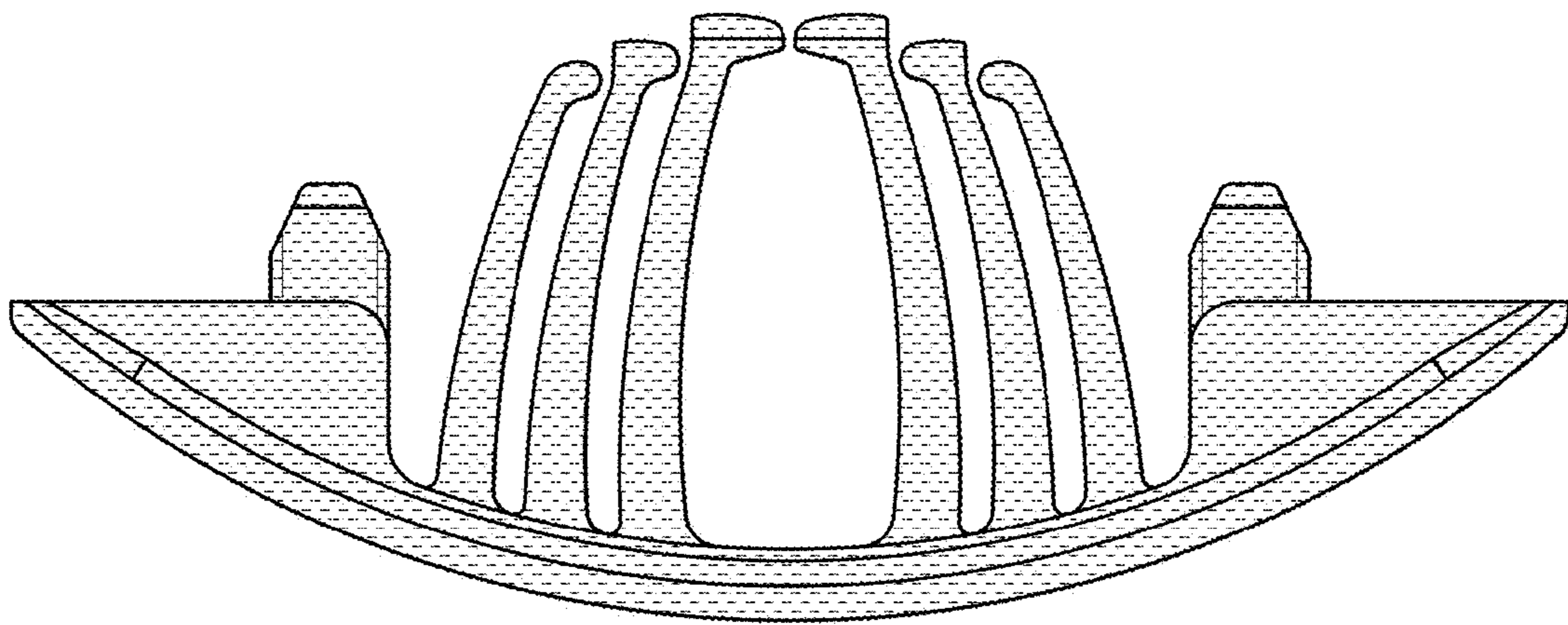


FIG. 23

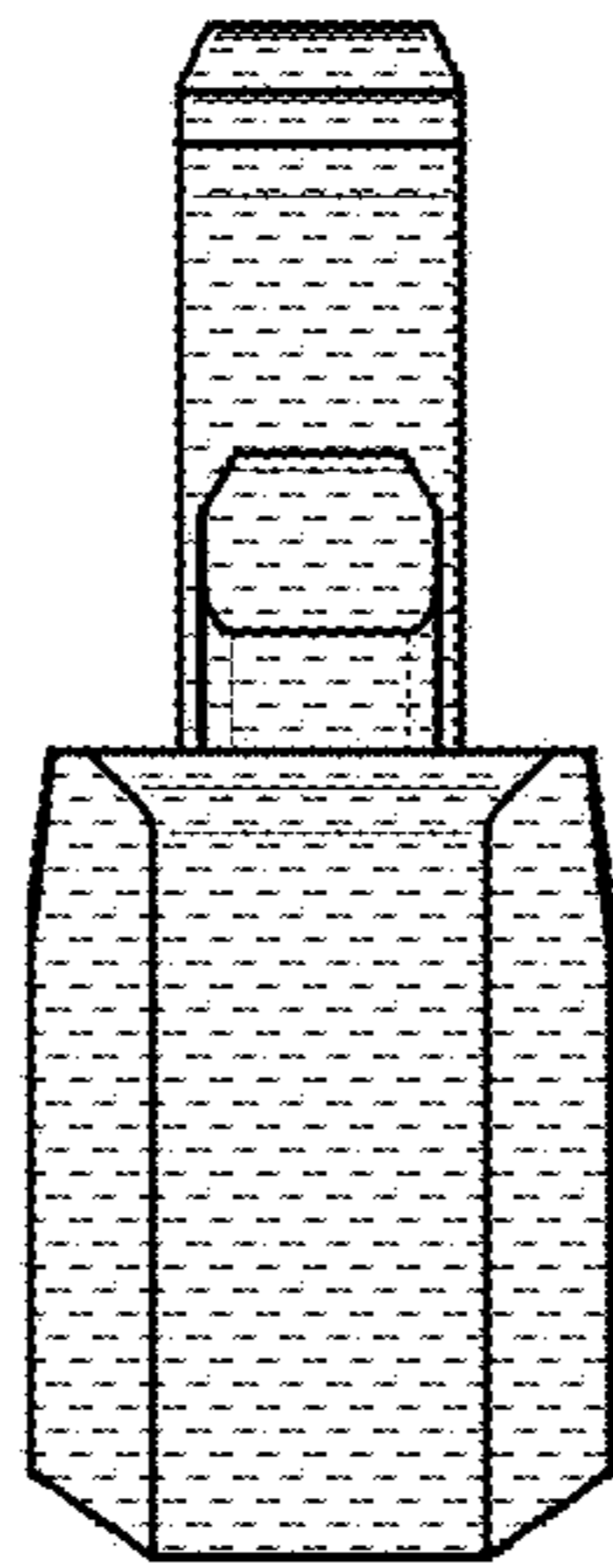


FIG. 24

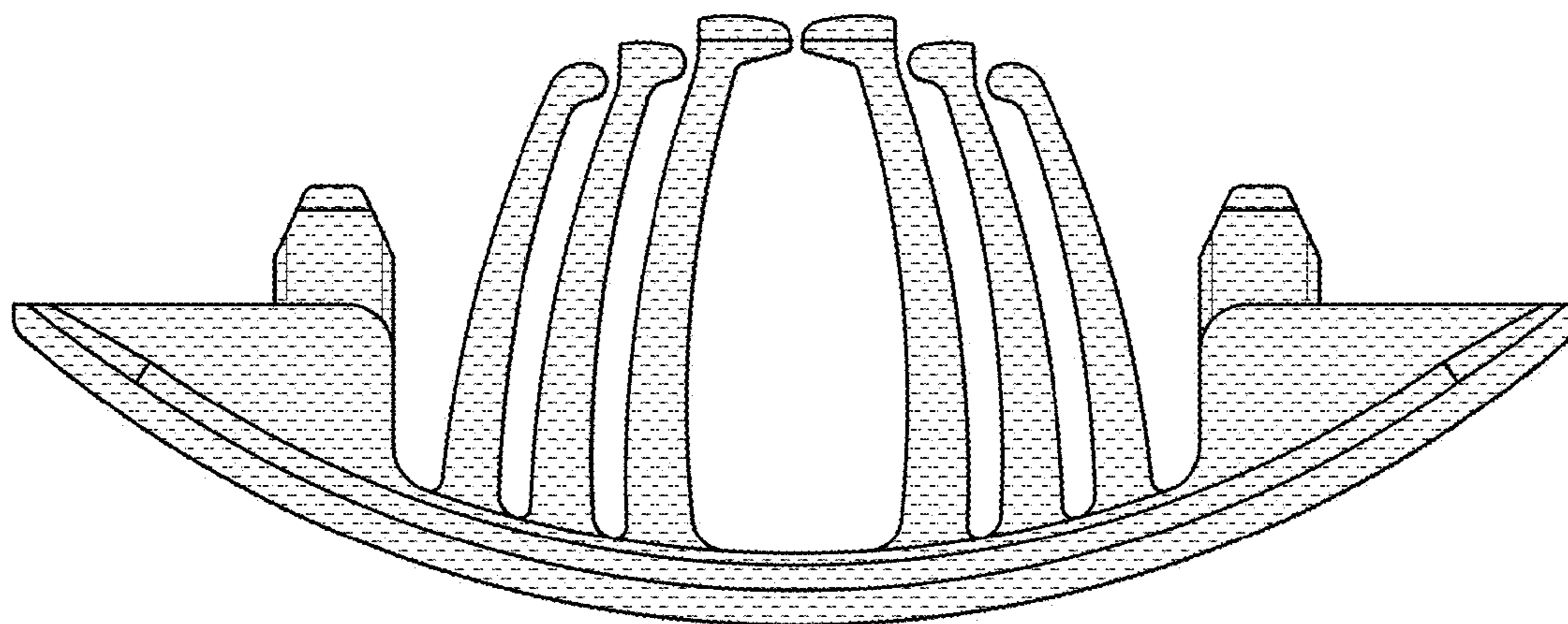


FIG. 25

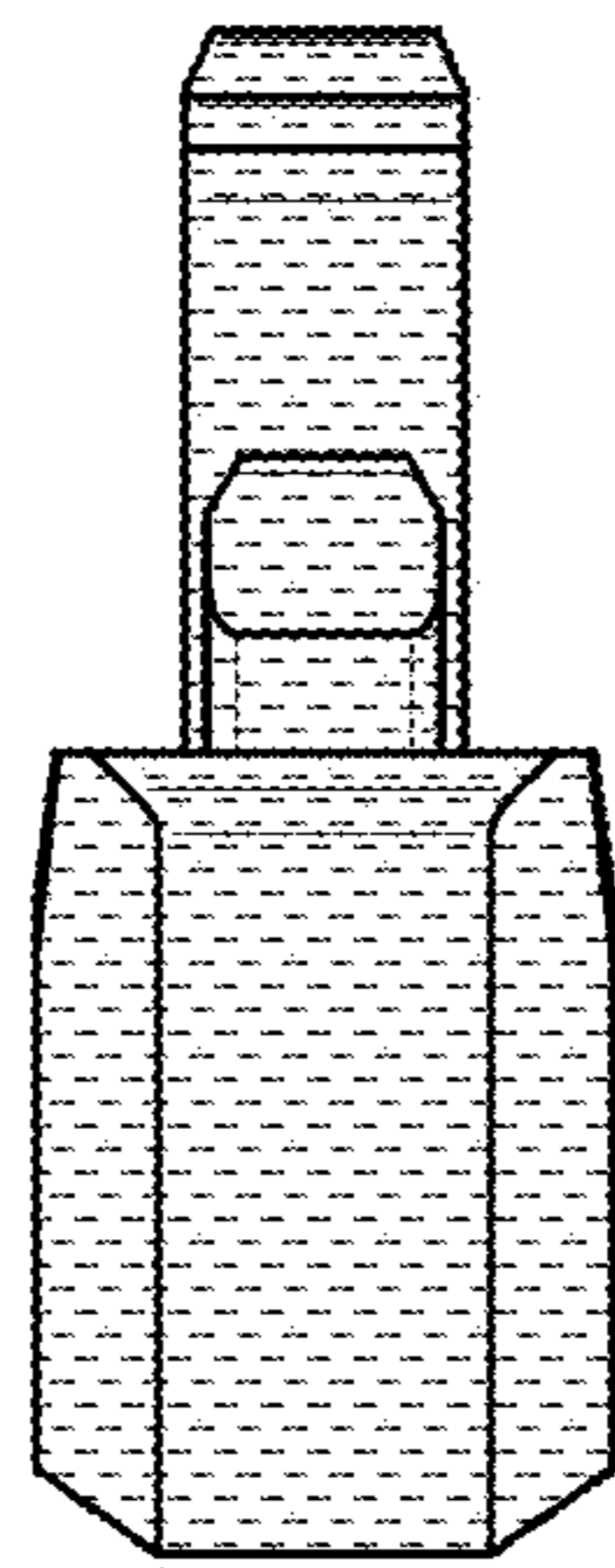


FIG. 26

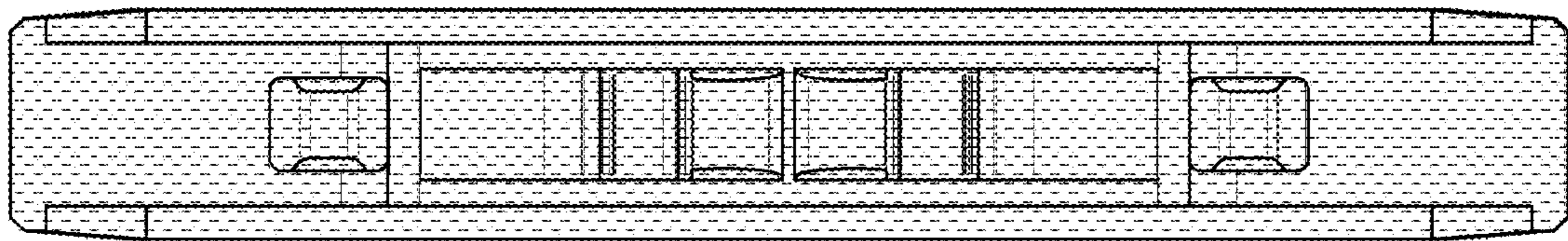


FIG. 27

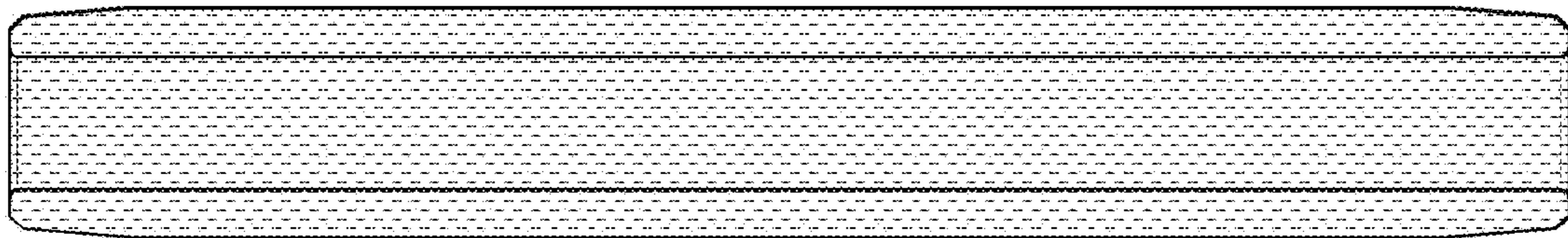


FIG. 28