

US00D733543S

(12) **United States Design Patent**
White

(10) **Patent No.:** **US D733,543 S**
(45) **Date of Patent:** **** Jul. 7, 2015**

(54) **RIGHT ANGLE SUPPORT COMPONENT**

(71) Applicant: **Franklin B White**, Ft. Pierce, FL (US)

(72) Inventor: **Franklin B White**, Ft. Pierce, FL (US)

(**) Term: **14 Years**

(21) Appl. No.: **29/463,592**

(22) Filed: **Jan. 10, 2014**

(51) **LOC (10) Cl.** **08-08**

(52) **U.S. Cl.**
USPC **D8/382**

(58) **Field of Classification Search**

USPC D8/349, 350, 353, 354, 355, 356, 359,
D8/366, 367, 373, 374, 381, 382, 383,
D8/385; D20/19, 41, 43; D23/267

CPC G09F 21/04; G09F 21/045; G09F 21/043;
G09F 21/046; G09F 21/048; G09F 15/00;
G09F 15/0075; G09F 15/0081; G09F 7/18;
E01F 9/00; E01F 9/005; E01F 9/011; E01F
9/0111; E01F 9/0114; E01F 9/0175; E04H
12/22; E04H 12/2269; E04H 12/2238; E04H
12/2253; E04D 13/08; E04D 2013/086;
E04D 2013/0866; E04D 13/04; E04D
13/0404; E04D 13/064; E04D 13/0643;
E04D 13/0645

See application file for complete search history.

(56) **References Cited**

U.S. PATENT DOCUMENTS

2,541,434 A	2/1951	Leonard et al.	248/210
2,655,748 A	10/1953	Hirt	40/612
D183,569 S	9/1958	Hoffman	D10/109.1
4,249,832 A	2/1981	Schmanski	404/6
4,338,041 A	7/1982	Schmanski	404/9
D296,075 S	6/1988	Jones	D8/373
D306,690 S *	3/1990	Bison	D8/382
5,015,119 A	5/1991	Schmanski	404/12
D334,815 S *	4/1993	Bunger	D25/113
5,208,585 A	5/1993	Sprague	340/908.1

D337,912 S	8/1993	Silverberg	D6/567
5,244,172 A	9/1993	Allega	248/161
D342,011 S	12/1993	Maguire	D8/349
D347,568 S *	6/1994	Siragusa et al.	D8/382
D354,773 S *	1/1995	Koves	D19/99
D369,958 S *	5/1996	Huang et al.	D8/387
D370,171 S	5/1996	Emerson	D8/354
D373,074 S *	8/1996	Miyashita	D8/382
D374,811 S *	10/1996	Miyashita	D8/382
D377,751 S	2/1997	Koebbe	D8/355
5,619,829 A	4/1997	Tan et al.	52/293.3
D389,078 S	1/1998	Freeman et al.	D10/113.2
5,709,051 A *	1/1998	Mazziotti	52/12
D400,428 S *	11/1998	Sabounjian	D8/382
D401,211 S	11/1998	Simpson	D12/223
5,878,519 A	3/1999	Huyck, Jr. et al.	40/612
D420,566 S	2/2000	Ely et al.	D8/354
D428,804 S *	8/2000	Benz et al.	D8/382

(Continued)

Primary Examiner — Eric Goodman

Assistant Examiner — Bao-Yen Nguyen

(74) *Attorney, Agent, or Firm* — David A. Burge

(57) **CLAIM**

I claim the ornamental design for a right angle support component, as shown and described.

DESCRIPTION

FIG. 1 is a perspective view showing front, top, and left side features of a right angle support component showing my new design;

FIG. 2 is a front elevation view thereof;

FIG. 3 is a left end elevation view thereof;

FIG. 4 is a right end elevation view thereof;

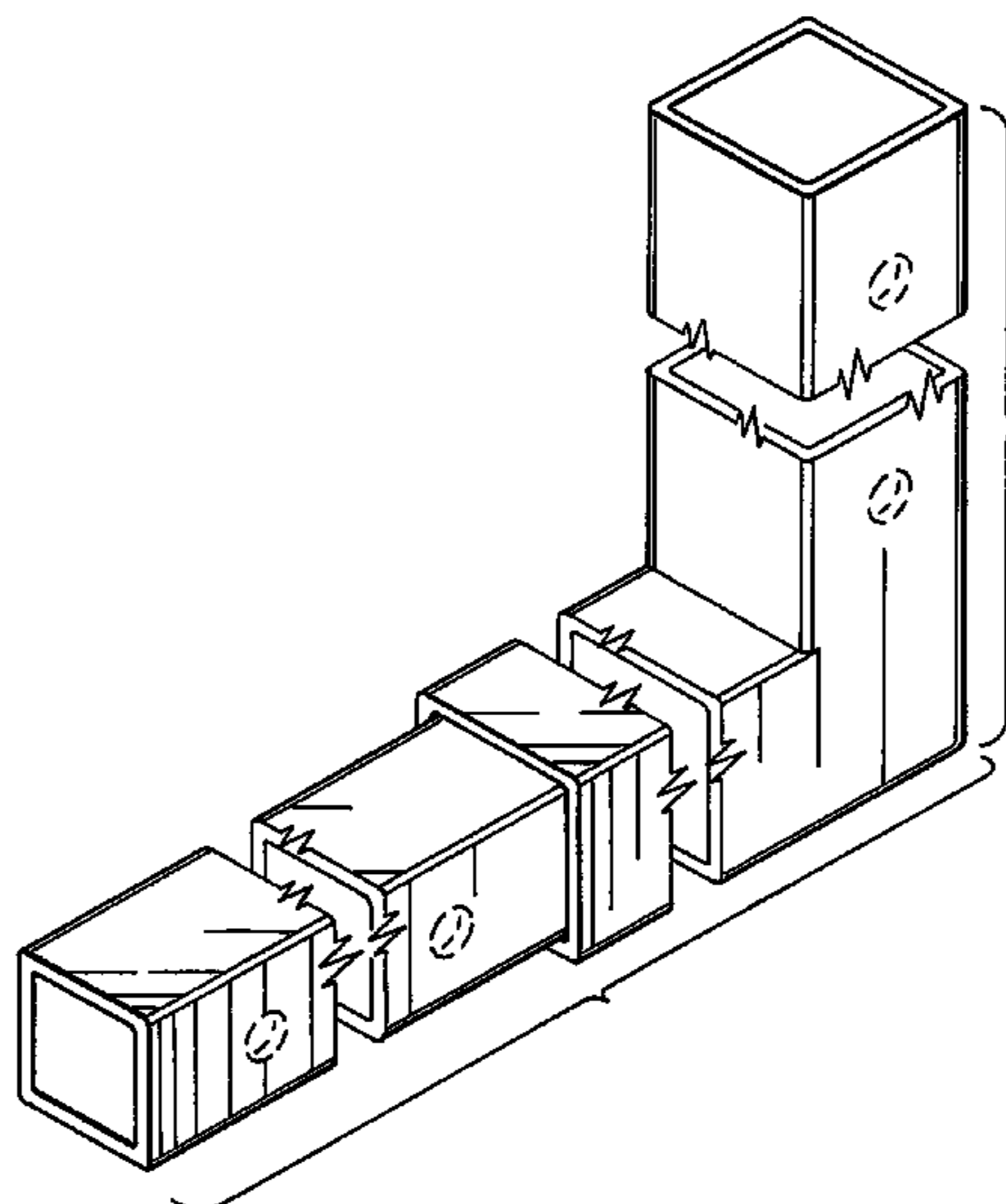
FIG. 5 is a top plan view thereof; and,

FIG. 6 is a bottom plan view thereof.

The right angle support component is shown with a symbolic break. The appearance of any portion of the article between the break lines forms no part of the claimed design.

The broken lines depict portions of the article and form no part of the claimed design.

1 Claim, 3 Drawing Sheets



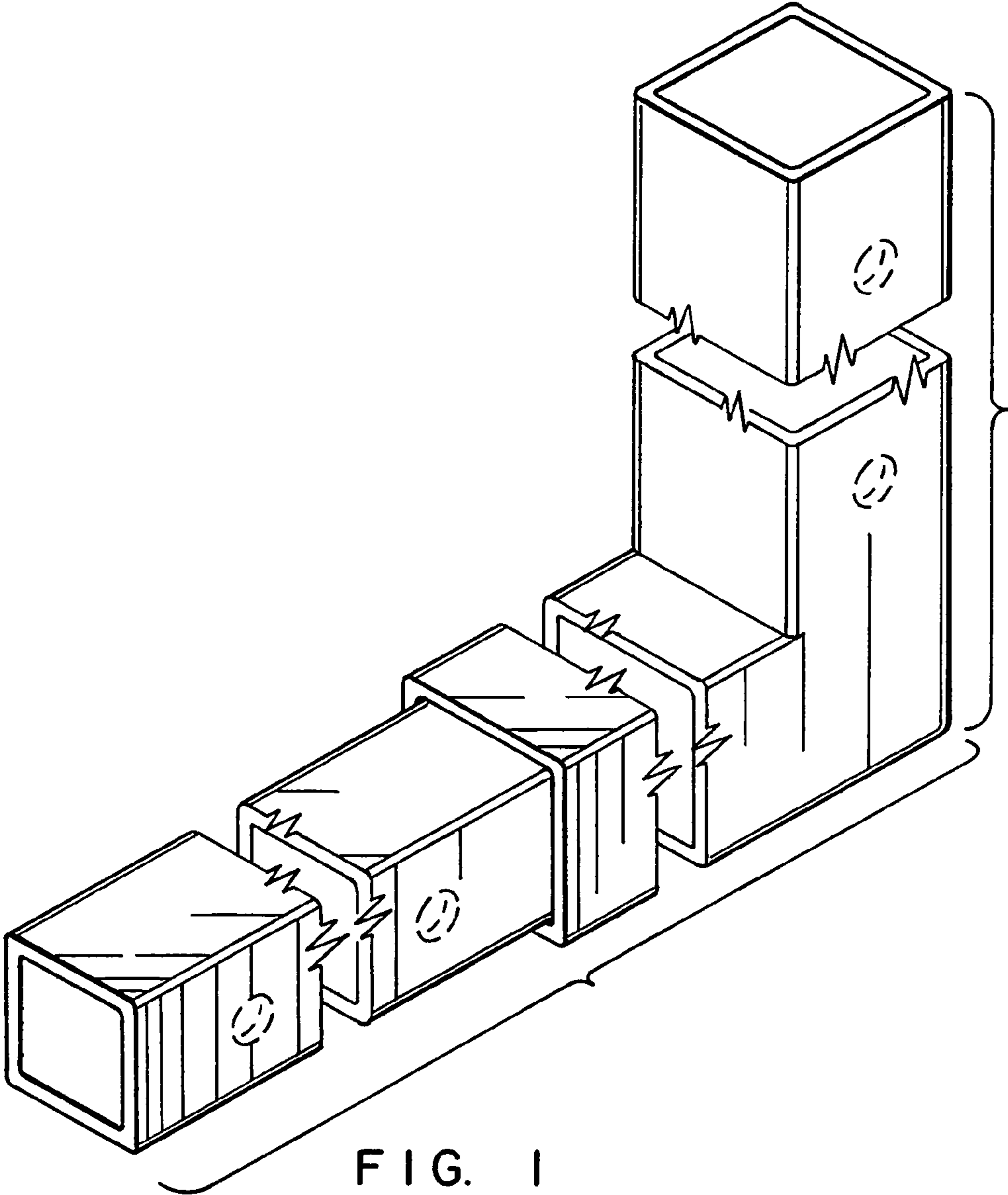
(56)

References Cited

U.S. PATENT DOCUMENTS

D430,789 S	9/2000	Opperman	D8/363	D576,026 S *	9/2008	Mazzocco	D8/382
D464,013 S	10/2002	Adams et al.	D12/223	D583,219 S *	12/2008	Dagg	D8/349
D474,676 S	5/2003	Bainbridge	D8/354	D591,586 S *	5/2009	Dagg	D8/382
6,695,266 B1	2/2004	Tsai	248/125.8	D599,649 S *	9/2009	Wakasugi et al.	D8/382
D488,056 S *	4/2004	Dion	D8/381	D609,752 S	2/2010	Miller	D20/41
D491,450 S *	6/2004	Braun et al.	D8/382	D611,887 S	3/2010	Peschmann	D12/223
D507,226 S *	7/2005	Oksa	D12/223	D617,180 S *	6/2010	VanElverdinghe	D8/382
6,962,461 B2	11/2005	Choi et al.	404/6	D617,633 S *	6/2010	VanElverdinghe	D8/382
D520,322 S	5/2006	Orlando	D8/70	8,001,880 B2	8/2011	White et al.	89/36.04
7,069,680 B1	7/2006	Crawford	40/607.14	D678,045 S *	3/2013	Paolini	D8/382
D552,947 S	10/2007	Ewasiuk	D8/5	D695,592 S	12/2013	White	D8/354
D557,344 S	12/2007	Johnson	D20/41	8,656,947 B1 *	2/2014	Barton	137/544
D558,274 S	12/2007	Geeves	D20/41	2003/0051414 A1 *	3/2003	Bessette	52/16
D559,665 S *	1/2008	Terada et al.	D8/382	2008/0307684 A1	12/2008	Ulloa et al.	40/607.1
D563,776 S *	3/2008	Dagg	D8/382	2009/0178319 A1	7/2009	Ulloa et al.	40/607.1
D564,868 S *	3/2008	Terada et al.	D8/382	2011/0010974 A1	1/2011	White	40/606.02
D571,645 S *	6/2008	Skoog	D8/382	2012/0204454 A1	8/2012	Larsen	40/591
					2012/0285567 A1 *	11/2012	Kessler	137/615
					2013/0161943 A1 *	6/2013	Bailey	285/283

* cited by examiner



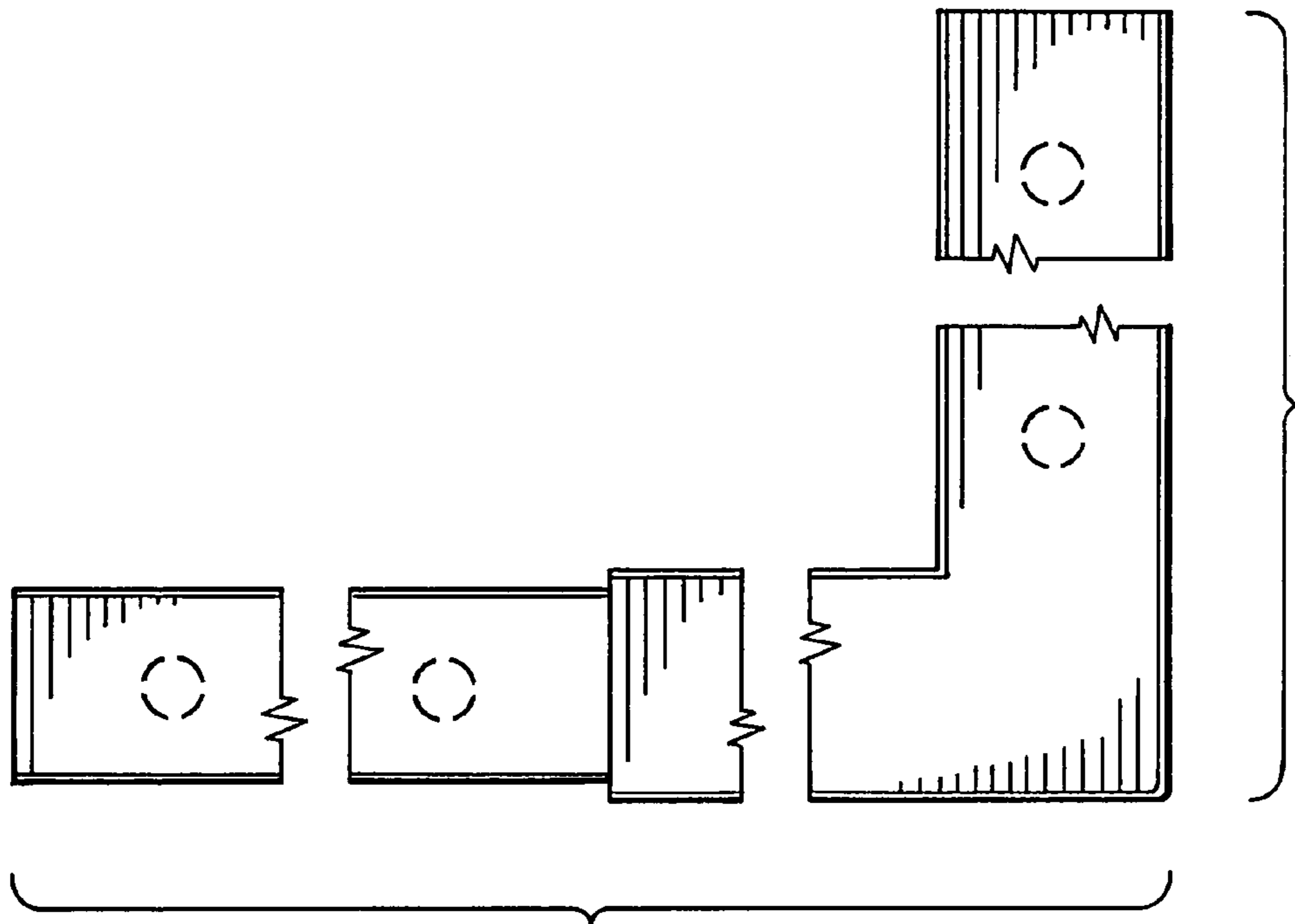


FIG. 2

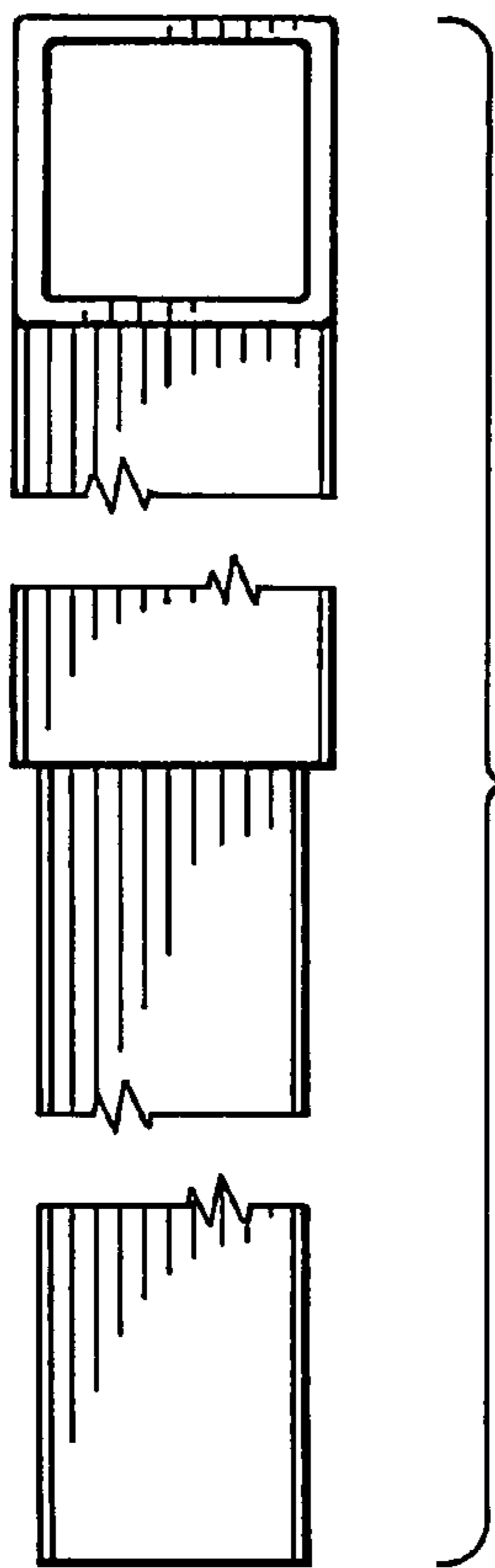


FIG. 5

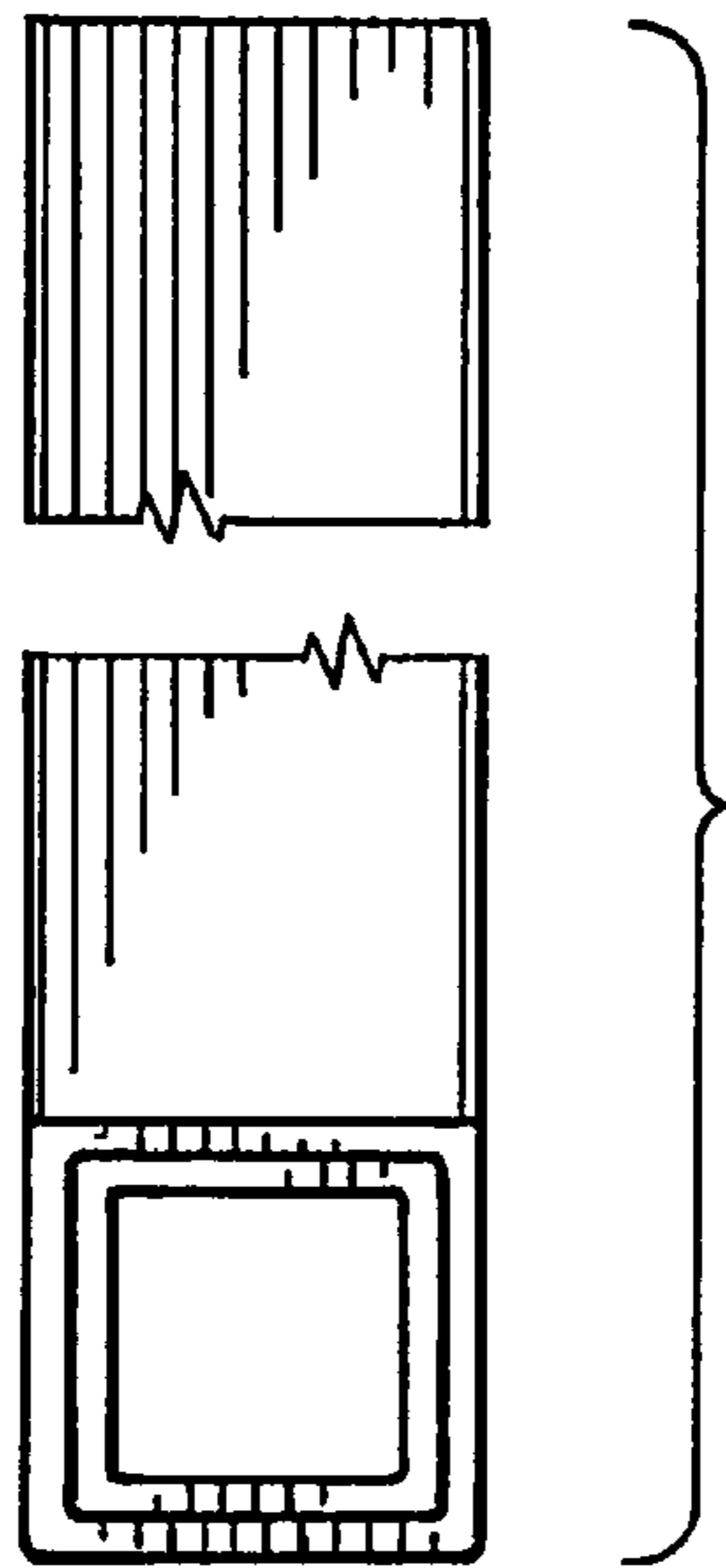


FIG. 3

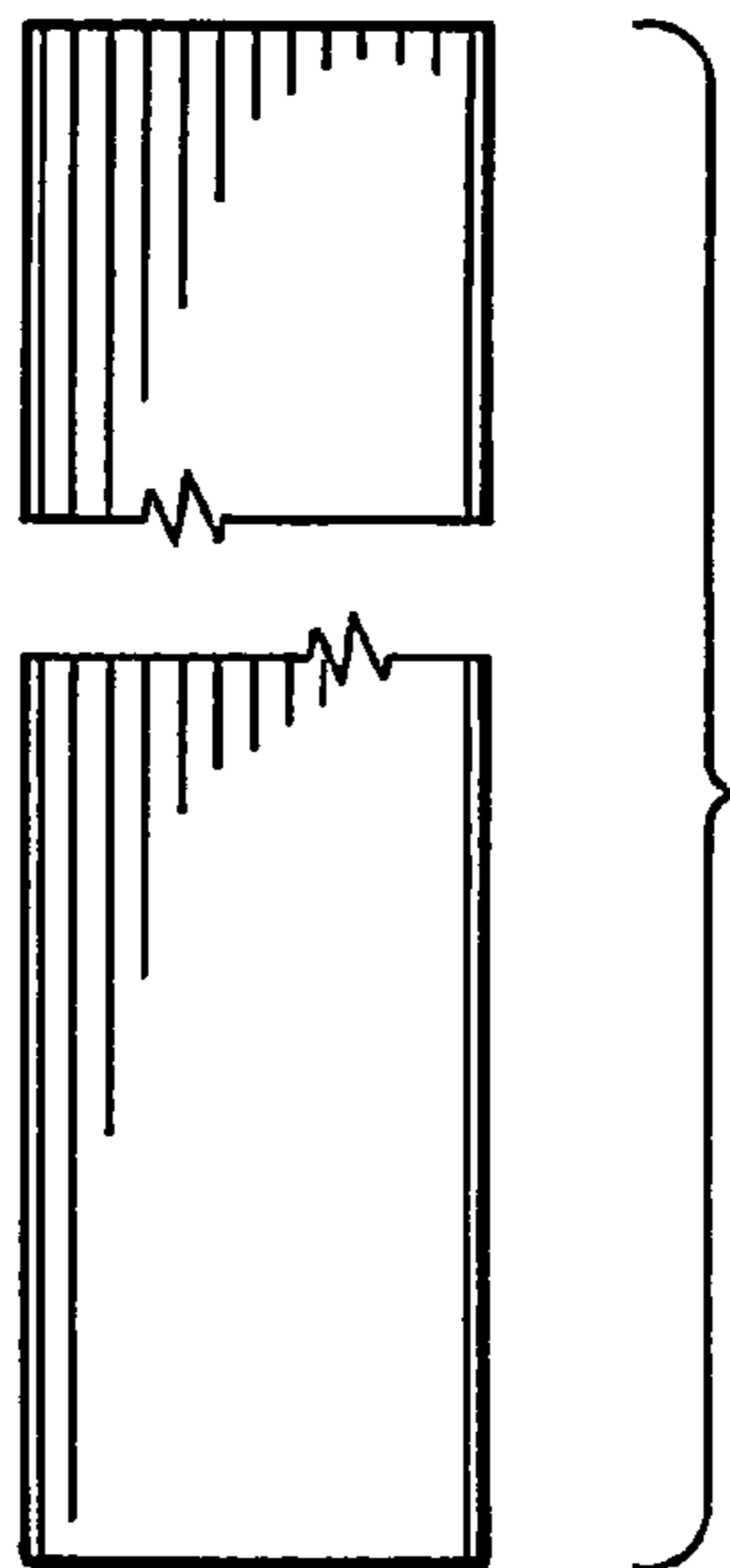


FIG. 4

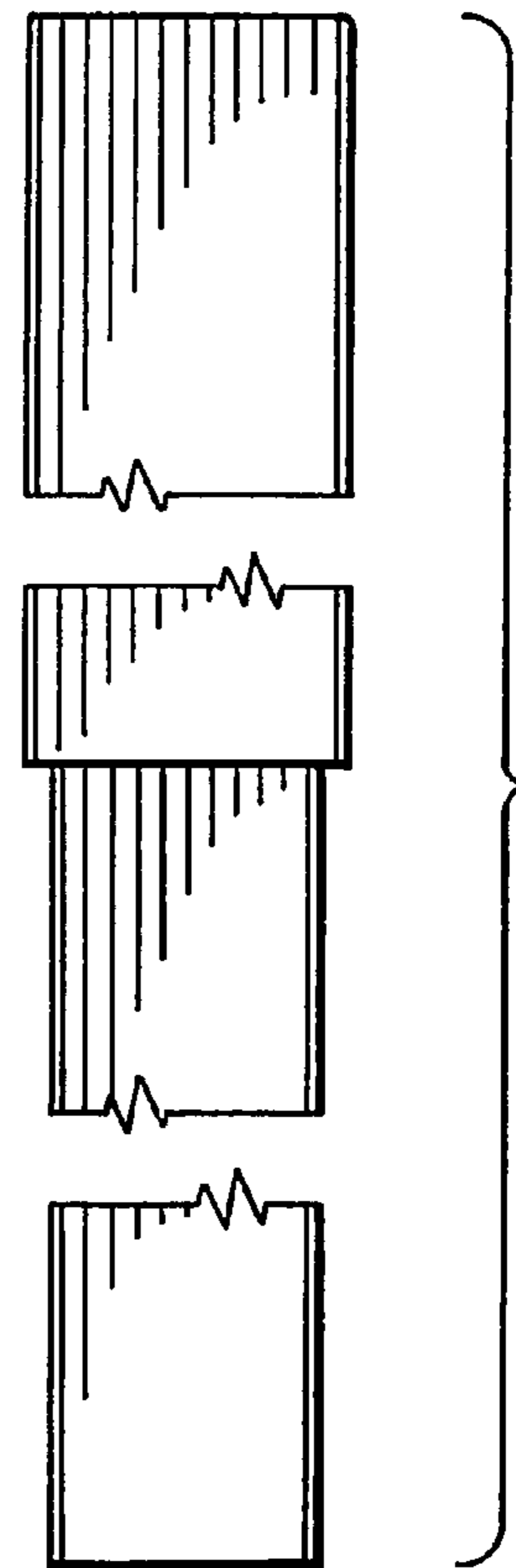


FIG. 6