



US00D733542S

(12) **United States Design Patent**
Cannaverde

(10) **Patent No.:** **US D733,542 S**

(45) **Date of Patent:** **** Jul. 7, 2015**

(54) **BRACKET**

(71) Applicant: **ROLLEASE, INC.**, Stamford, CT (US)

(72) Inventor: **Joseph Cannaverde**, Stamford, CT (US)

(73) Assignee: **Rollease, Inc.**, Stamford, CT (US)

(**) Term: **14 Years**

(21) Appl. No.: **29/461,850**

(22) Filed: **Jul. 29, 2013**

Related U.S. Application Data

(63) Continuation of application No. 13/228,764, filed on Sep. 9, 2011, now abandoned.

(51) **LOC (10) Cl.** **08-05**

(52) **U.S. Cl.**
USPC **D8/380**; D8/371; D8/354

(58) **Field of Classification Search**
USPC D8/349, 354, 366, 380, 381, 356, 371;
160/321, 323.1, 903; 248/267, 268,
248/300, 200, 229.1, 271, 317, 252, 254,
248/257, 266; 192/223.4
See application file for complete search history.

(56) **References Cited**

U.S. PATENT DOCUMENTS

899,116	A *	9/1908	Loughner	248/267
931,968	A *	8/1909	Smith	248/267
1,329,249	A *	1/1920	Leach	248/259
1,476,160	A *	12/1923	Kirsch	248/267
1,545,160	A *	7/1925	Myers	248/266
1,678,590	A *	7/1928	Dixson	160/23.1
2,001,864	A *	5/1935	Benjinsohn	248/267
2,099,068	A *	11/1937	Keithly	160/23.1
2,138,502	A *	11/1938	Nordstrom, Jr. et al.	248/264
2,238,196	A *	4/1941	Tyler	248/267
2,548,041	A *	4/1951	Morse	160/23.1
2,594,656	A *	4/1952	Junkunc	160/38

3,136,357	A *	6/1964	Lorentzen et al.	160/178.1 R
3,196,935	A *	7/1965	Christensen	160/267.1
3,372,728	A *	3/1968	Schaefer	160/39
3,595,511	A *	7/1971	Summerville, Jr.	248/264
3,854,517	A *	12/1974	Nakamura	160/323.1
4,114,233	A *	9/1978	Hamilton	16/95 R
4,122,559	A *	10/1978	Kelly	4/608
4,167,261	A *	9/1979	Bartels	248/270
4,231,411	A *	11/1980	Hehl et al.	160/120
4,249,714	A *	2/1981	Boyle	248/267
4,372,432	A *	2/1983	Waine et al.	192/223.4
4,399,855	A *	8/1983	Volfson	160/23.1
4,433,765	A *	2/1984	Rude et al.	192/41 S
4,466,475	A *	8/1984	Saito et al.	160/297
4,538,785	A *	9/1985	Damsgaard	248/268
4,623,012	A *	11/1986	Rude et al.	160/243
4,729,418	A *	3/1988	Rude	160/323.1
4,751,953	A *	6/1988	Appel et al.	160/313
4,865,109	A *	9/1989	Sherman	160/321
5,029,629	A *	7/1991	Cheng-Pei	160/300
5,127,458	A *	7/1992	Schaefer et al.	160/168.1 R
D331,186	S *	11/1992	Sachs	D8/380
5,330,821	A *	7/1994	Lo	428/120
5,501,261	A *	3/1996	Peale	160/168.1 R

(Continued)

Primary Examiner — Mark Goodwin

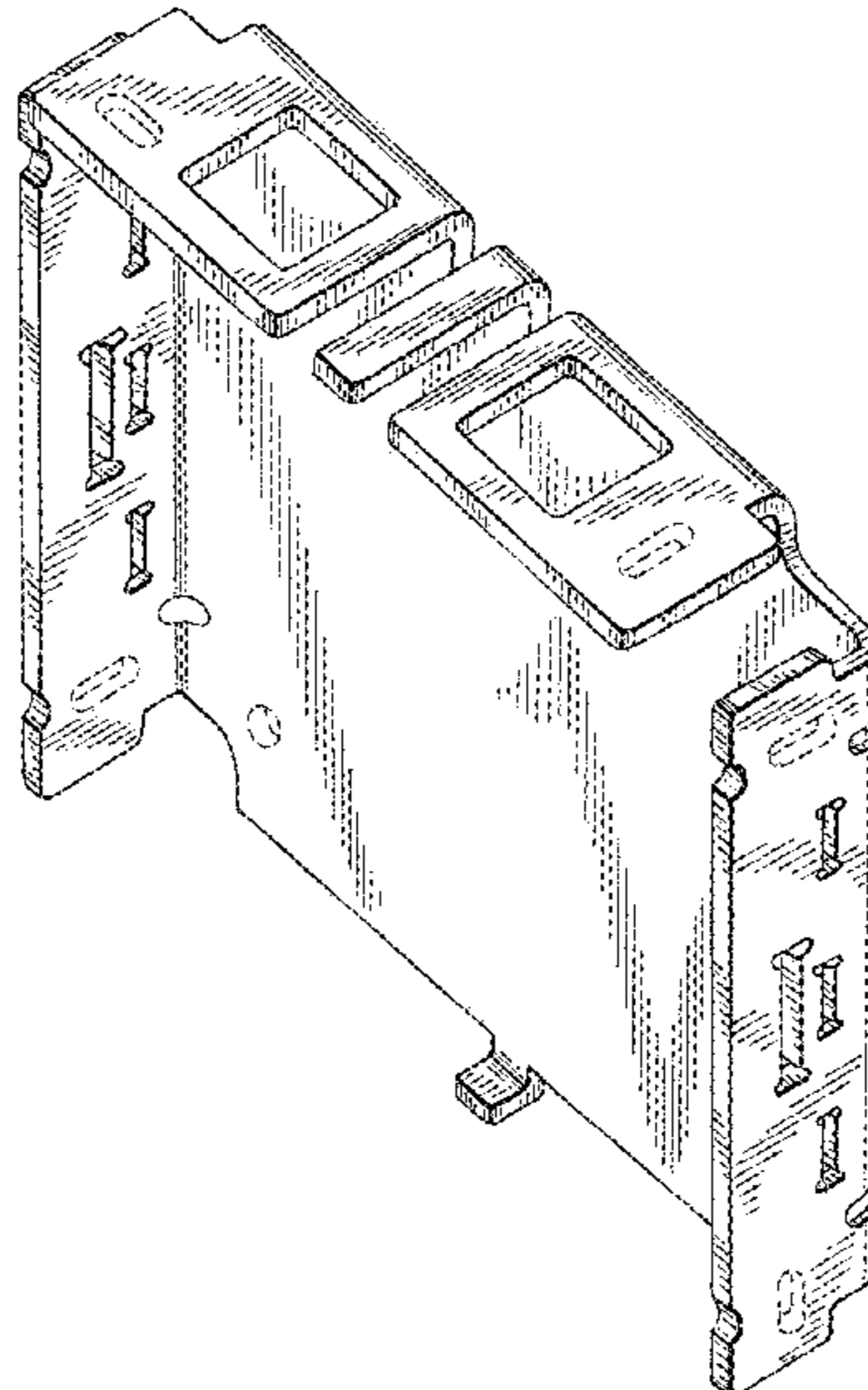
(74) *Attorney, Agent, or Firm* — Gottlieb, Rackman & Reisman

(57) **CLAIM**
The ornamental design for a bracket, as shown and described.

DESCRIPTION

FIG. 1 is a perspective view showing my new design;
FIG. 2 is a top plan view thereof;
FIG. 3 is a front elevational view thereof;
FIG. 4 is a right side elevational view thereof;
FIG. 5 is a rear elevational view thereof; and
FIG. 6 is a bottom plan view thereof; and,
FIG. 7 is a left side elevational view.
It being understood that the broken lines are for illustrative purposes only and form no part of the claimed design.

1 Claim, 3 Drawing Sheets



(56)

References Cited

U.S. PATENT DOCUMENTS

5,609,196	A *	3/1997	Kraler	160/271	6,499,709	B1 *	12/2002	Parent	248/267
D387,970	S *	12/1997	Enslin	D8/349	6,532,109	B1 *	3/2003	Shopp	359/461
5,857,653	A *	1/1999	Dujlovich	248/267	6,585,208	B1 *	7/2003	Fraser	248/251
D409,079	S *	5/1999	Sobczynski	D8/354	6,739,373	B1 *	5/2004	Liu et al.	160/321
D409,474	S *	5/1999	Chou	D8/354	6,817,402	B1 *	11/2004	Fraczek et al.	160/323.1
5,975,186	A *	11/1999	Day	160/321	6,935,401	B2 *	8/2005	Fraczek et al.	160/321
6,164,428	A *	12/2000	Berman et al.	192/223.4	6,981,539	B2 *	1/2006	Fraczek	160/84.05
6,173,825	B1 *	1/2001	Liu	192/223.4	D557,115	S *	12/2007	Zakowski	D8/354
6,196,508	B1 *	3/2001	Nijs	248/267	D557,116	S *	12/2007	Zakowski	D8/354
6,202,967	B1 *	3/2001	Fraczek	248/261	D557,117	S *	12/2007	Cannaverde	D8/354
6,382,296	B1 *	5/2002	Judkins	160/178.1 R	D596,018	S *	7/2009	Lisowski	D8/380
6,457,688	B1 *	10/2002	Welfonder	248/266	D596,020	S *	7/2009	Lisowski	D8/380
					2003/0015301	A1 *	1/2003	Killo et al.	160/310
					2008/0142171	A1 *	6/2008	Koop et al.	160/243

* cited by examiner

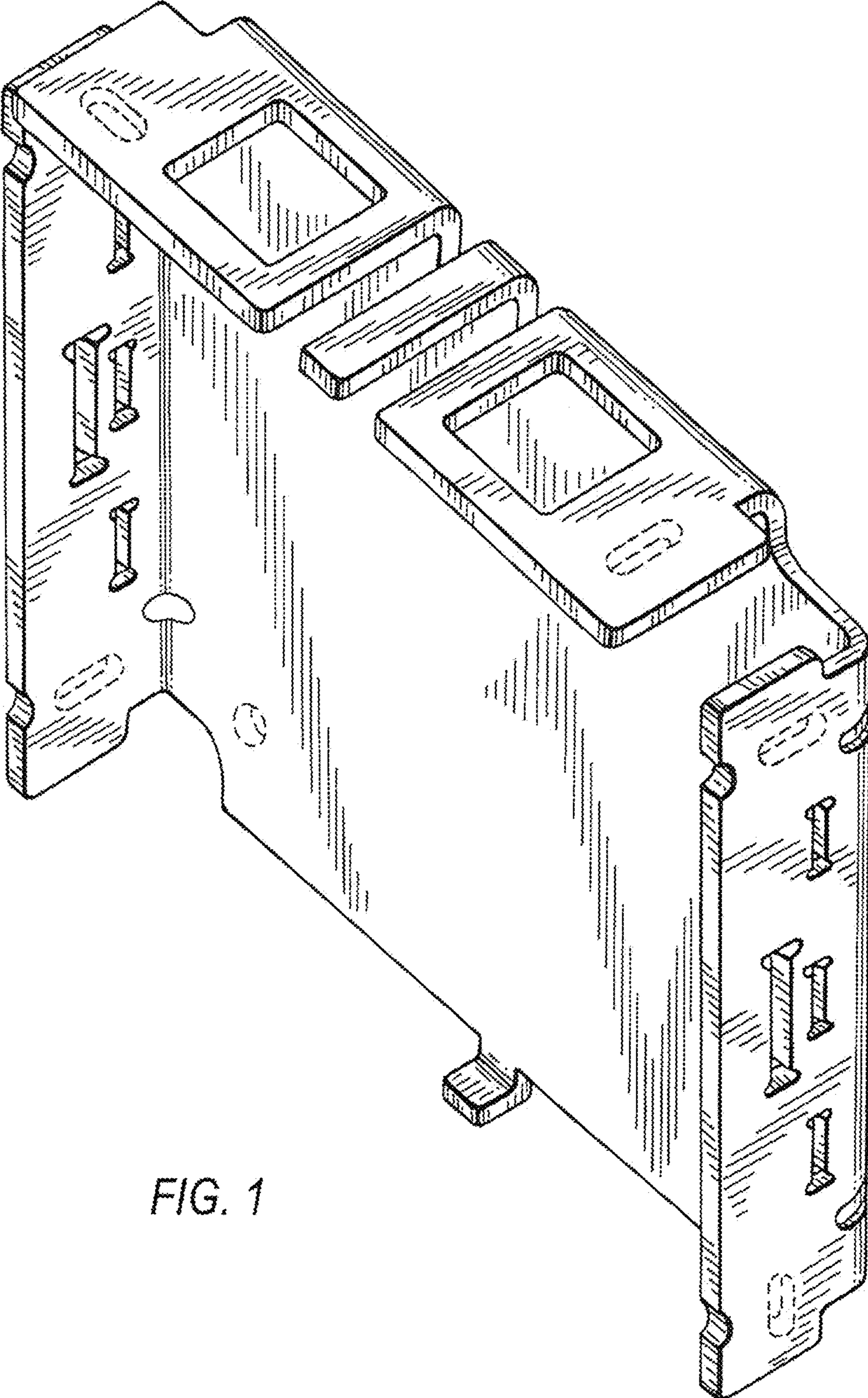


FIG. 1

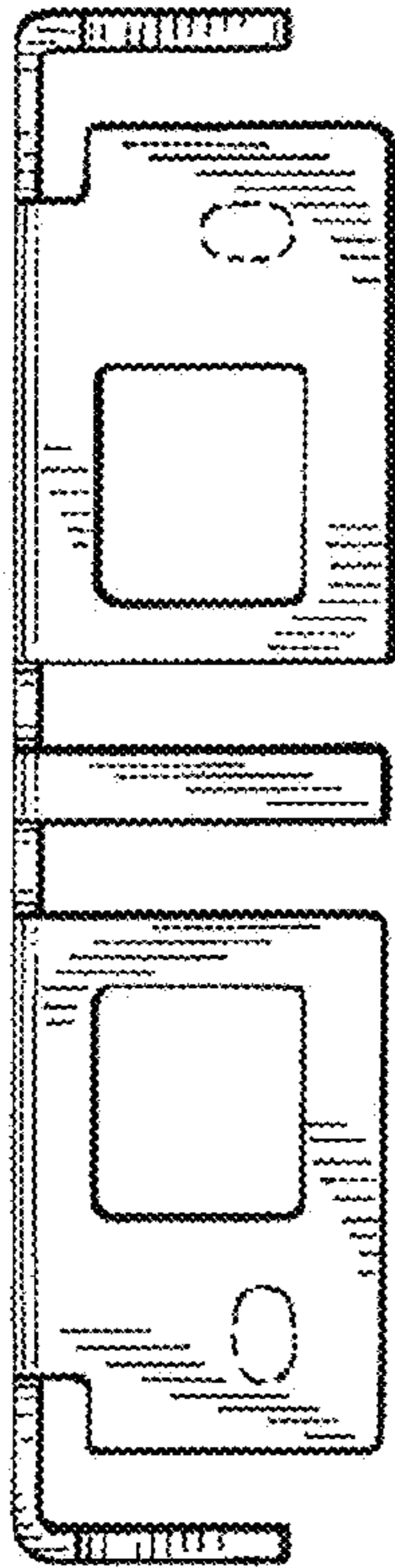


FIG. 2

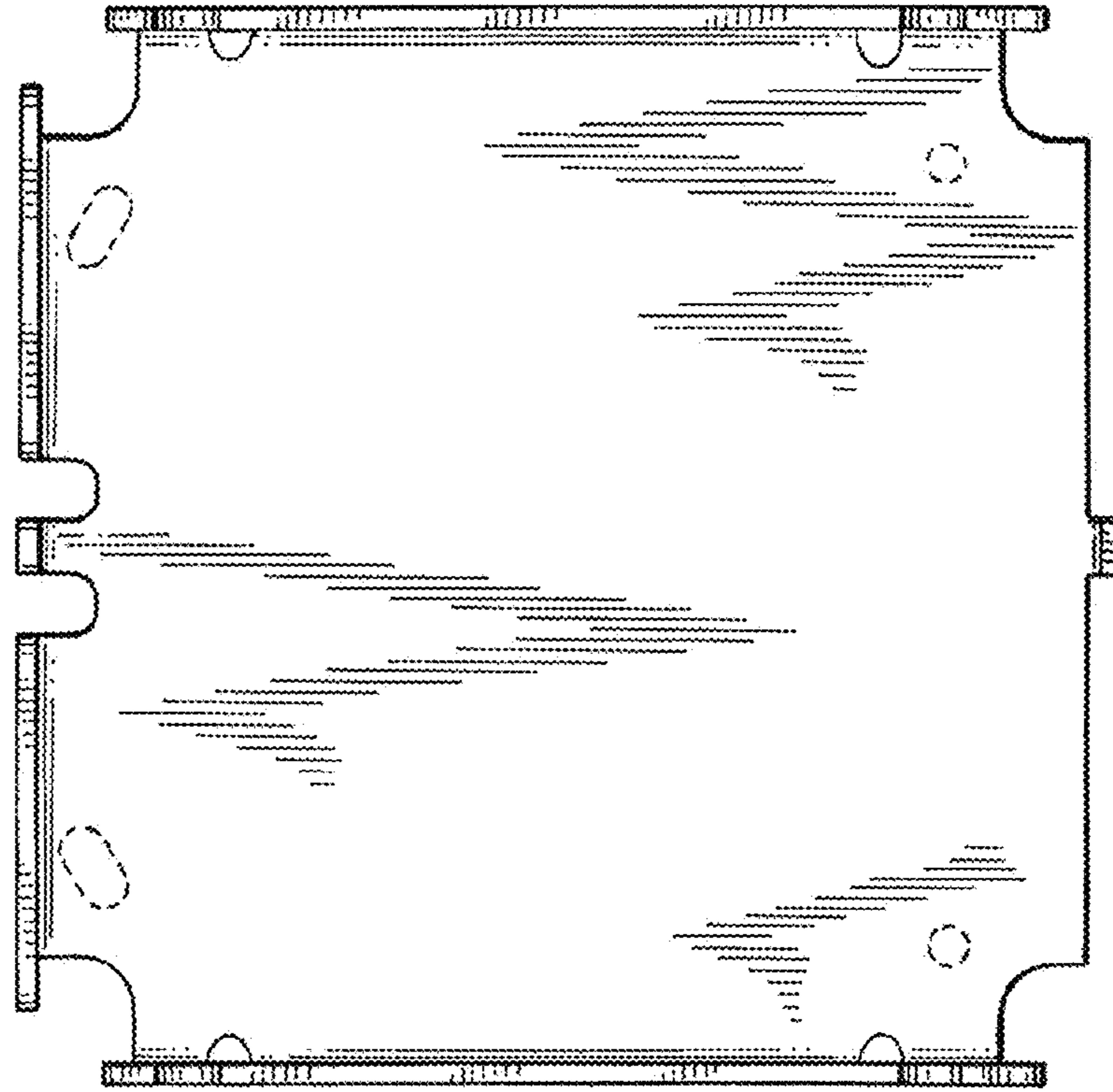
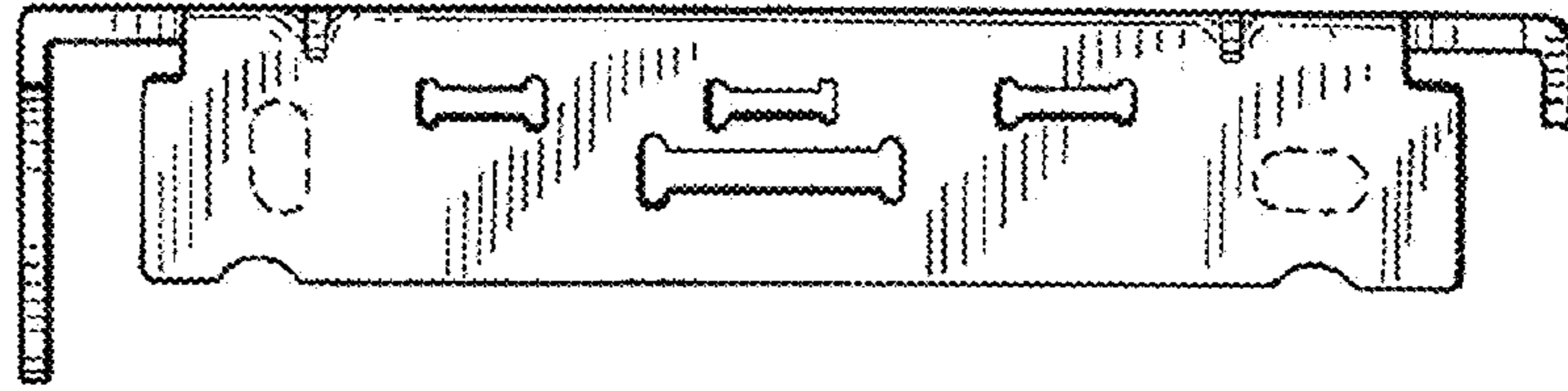


FIG. 3

FIG. 4



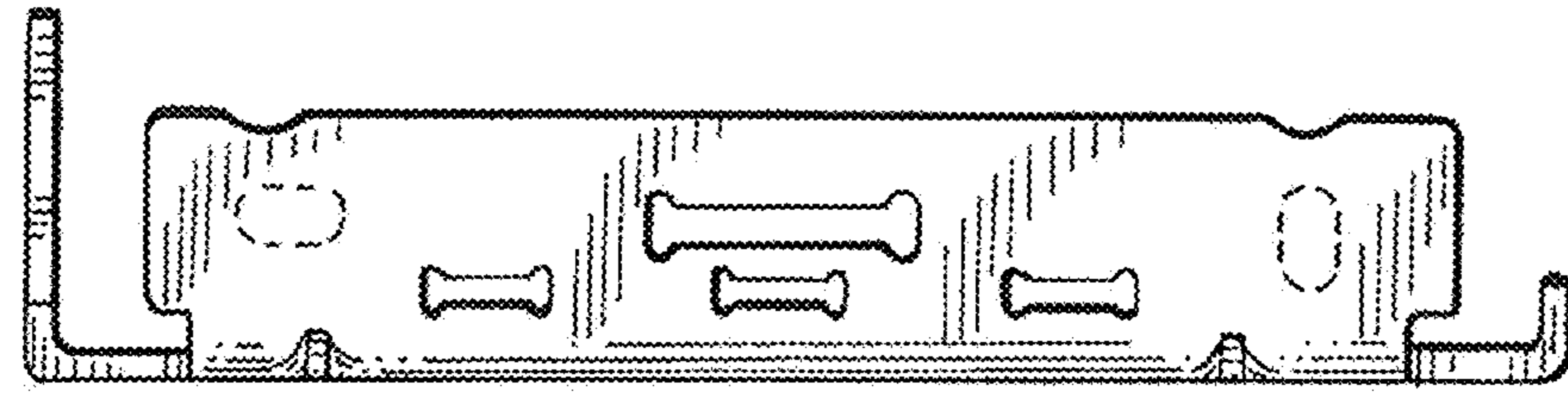


FIG. 5

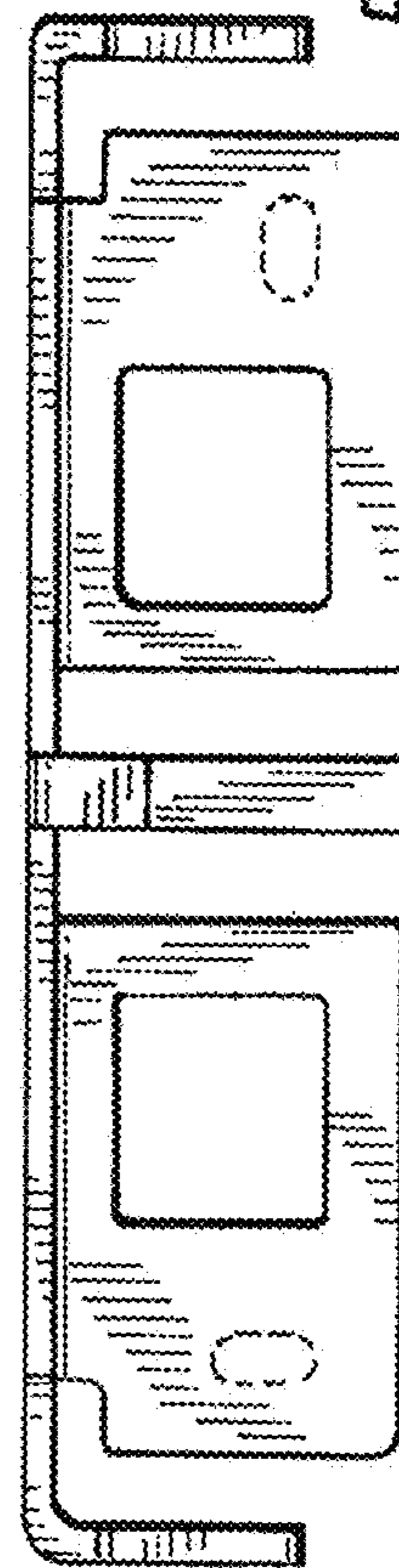


FIG. 6

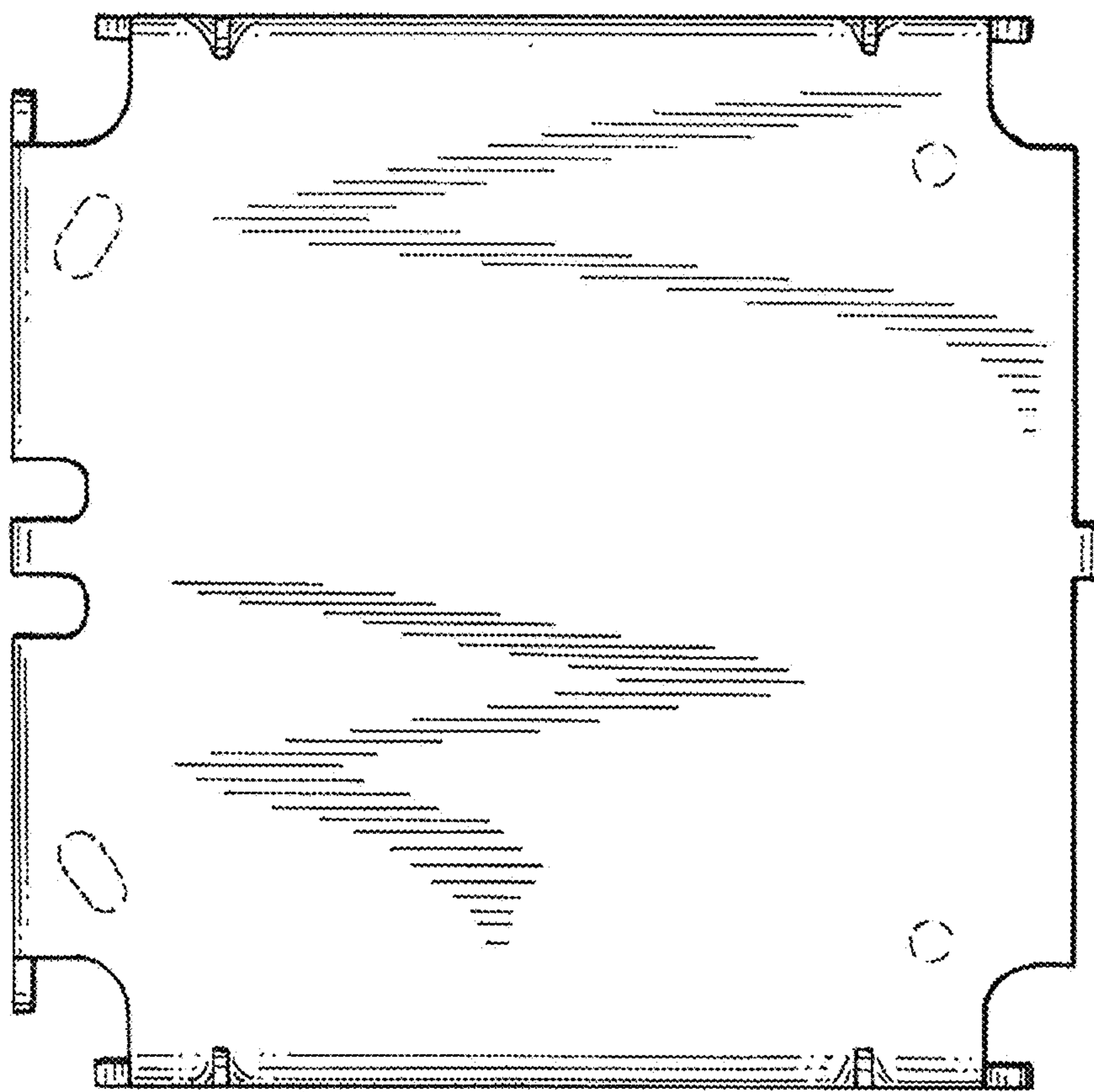


FIG. 7