



US00D733540S

(12) **United States Design Patent**
Merrey

(10) **Patent No.:** **US D733,540 S**

(45) **Date of Patent:** **** Jul. 7, 2015**

(54) **BED LIFT**

(71) Applicant: **Thomas G. B. Merrey**, Port Hope (CA)

(72) Inventor: **Thomas G. B. Merrey**, Port Hope (CA)

(73) Assignee: **INTERNATIONAL SALES INC.**,
Virginia Beach, VA (US)

(**) Term: **14 Years**

(21) Appl. No.: **29/442,761**

(22) Filed: **May 10, 2013**

(51) **LOC (10) Cl.** **08-05**

(52) **U.S. Cl.**
USPC **D8/374**

(58) **Field of Classification Search**
USPC D8/383, 374, 300, 303, 313, 314, 394,
D8/395, 396; 24/136 K, 130, 136 R; 42/50;
5/205, 224; 403/314; 248/328;
D13/133; D22/108
CPC A47C 19/005; A47C 19/04
See application file for complete search history.

(56) **References Cited**

U.S. PATENT DOCUMENTS

D336,843 S * 6/1993 Hurst D8/374
D487,695 S * 3/2004 Sittig D8/374

D493,095 S * 7/2004 Sittig D8/374
D493,096 S * 7/2004 Sittig D8/374
D629,533 S * 12/2010 Ward et al. D25/199
D668,942 S * 10/2012 McGarry D8/374

* cited by examiner

Primary Examiner — Robert M Spear

Assistant Examiner — Eliza Bennett-Hattan

(74) *Attorney, Agent, or Firm* — Young & Thompson

(57) **CLAIM**

The ornamental design for a bed lift, as shown and described.

DESCRIPTION

FIG. 1 is a perspective view of the bed lift showing my new design;

FIG. 2 is a perspective view of the bed lift showing my new design, rotated 180 degrees from the view of FIG. 1;

FIG. 3 is a side view of the design of FIG. 1;

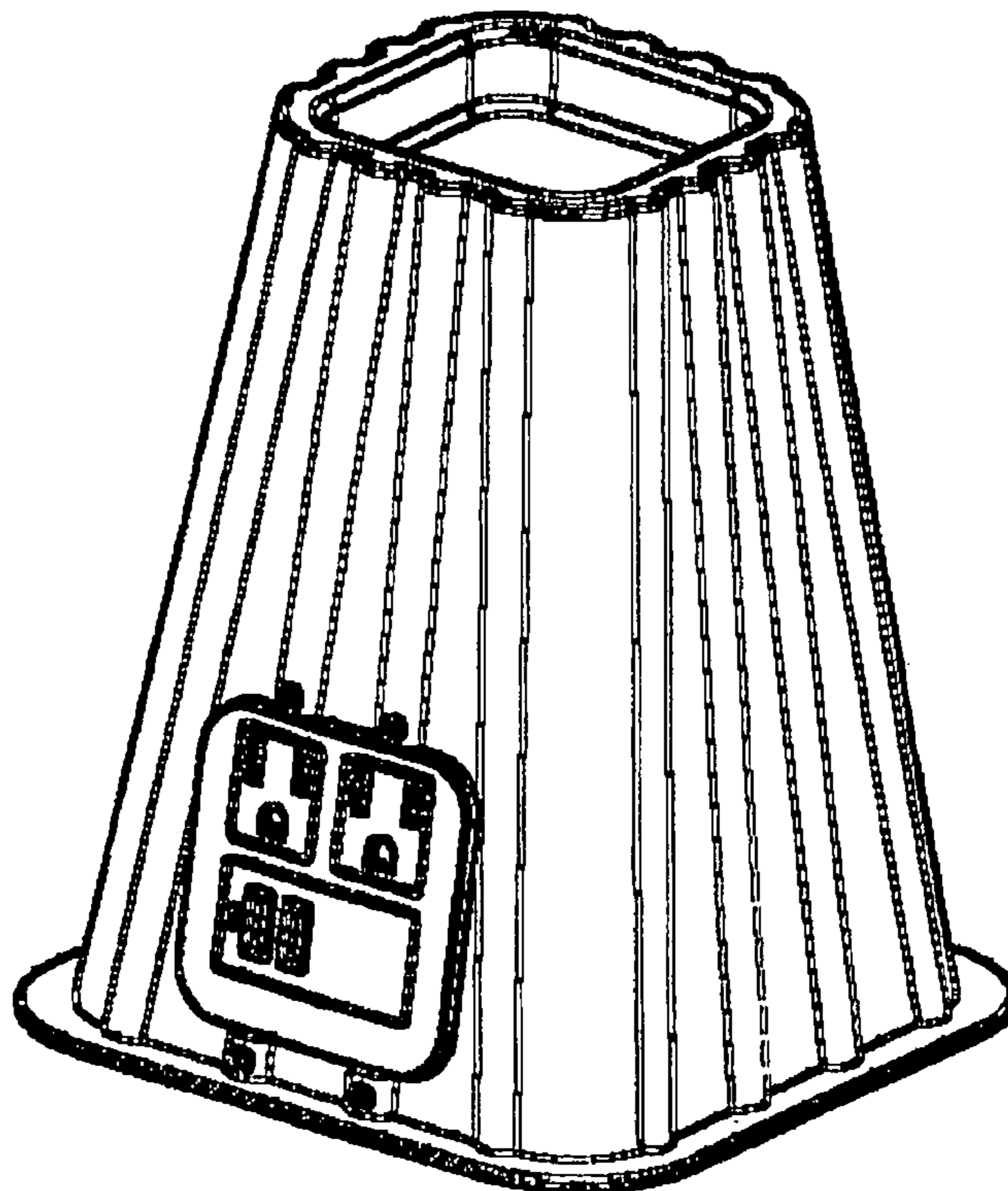
FIG. 4 is a side view of the design of FIG. 1, rotated 180 degrees from the view of FIG. 3, with sides adjacent to the side shown in FIG. 4 of the design being identical to that of FIG. 4;

FIG. 5 is a top view of the design of FIG. 1; and,

FIG. 6 is a bottom view of the design of FIG. 1.

The broken lines in the drawing depict environmental subject matter only and form no part of the claimed design.

1 Claim, 6 Drawing Sheets



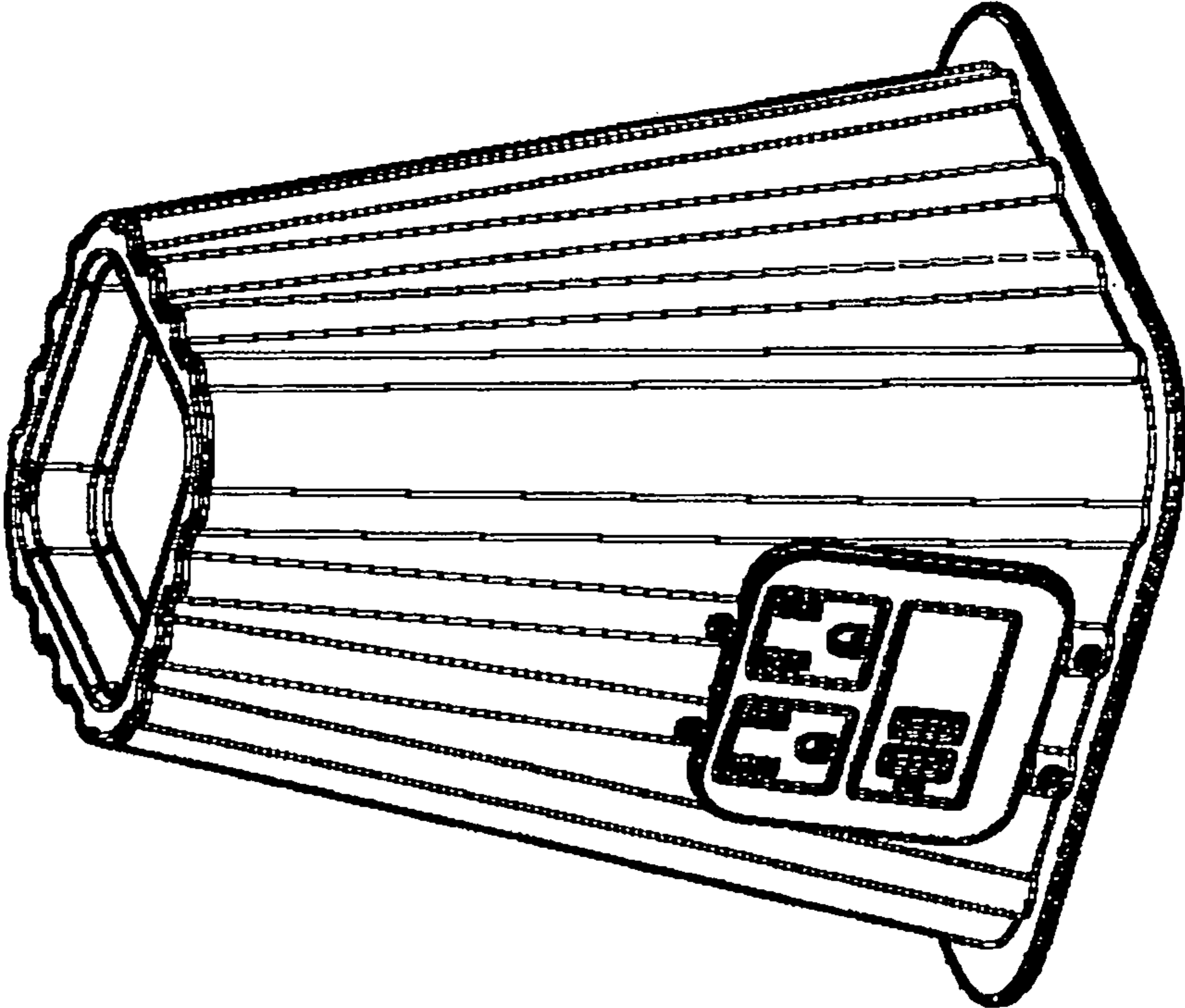


FIG. 1

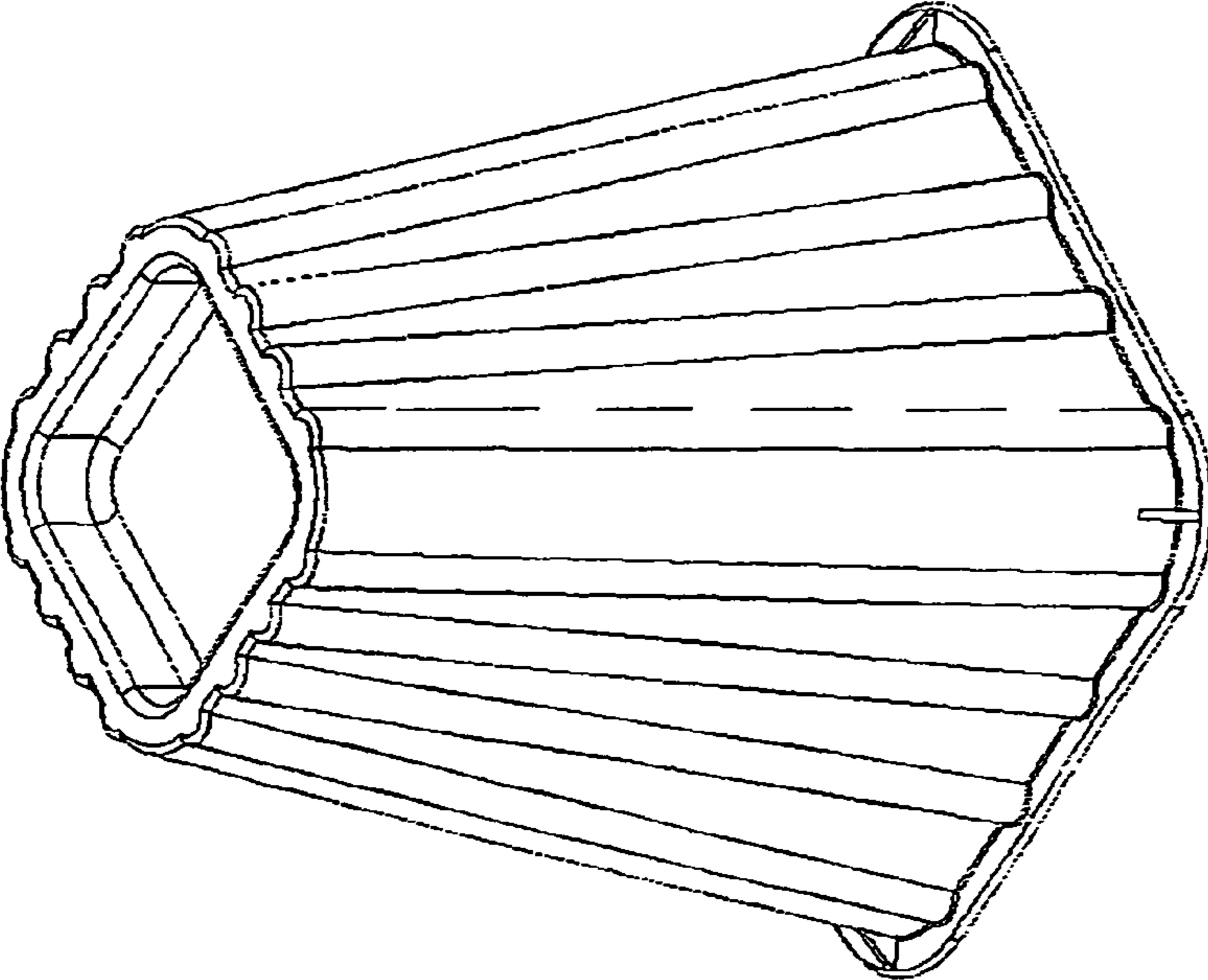


FIG. 2

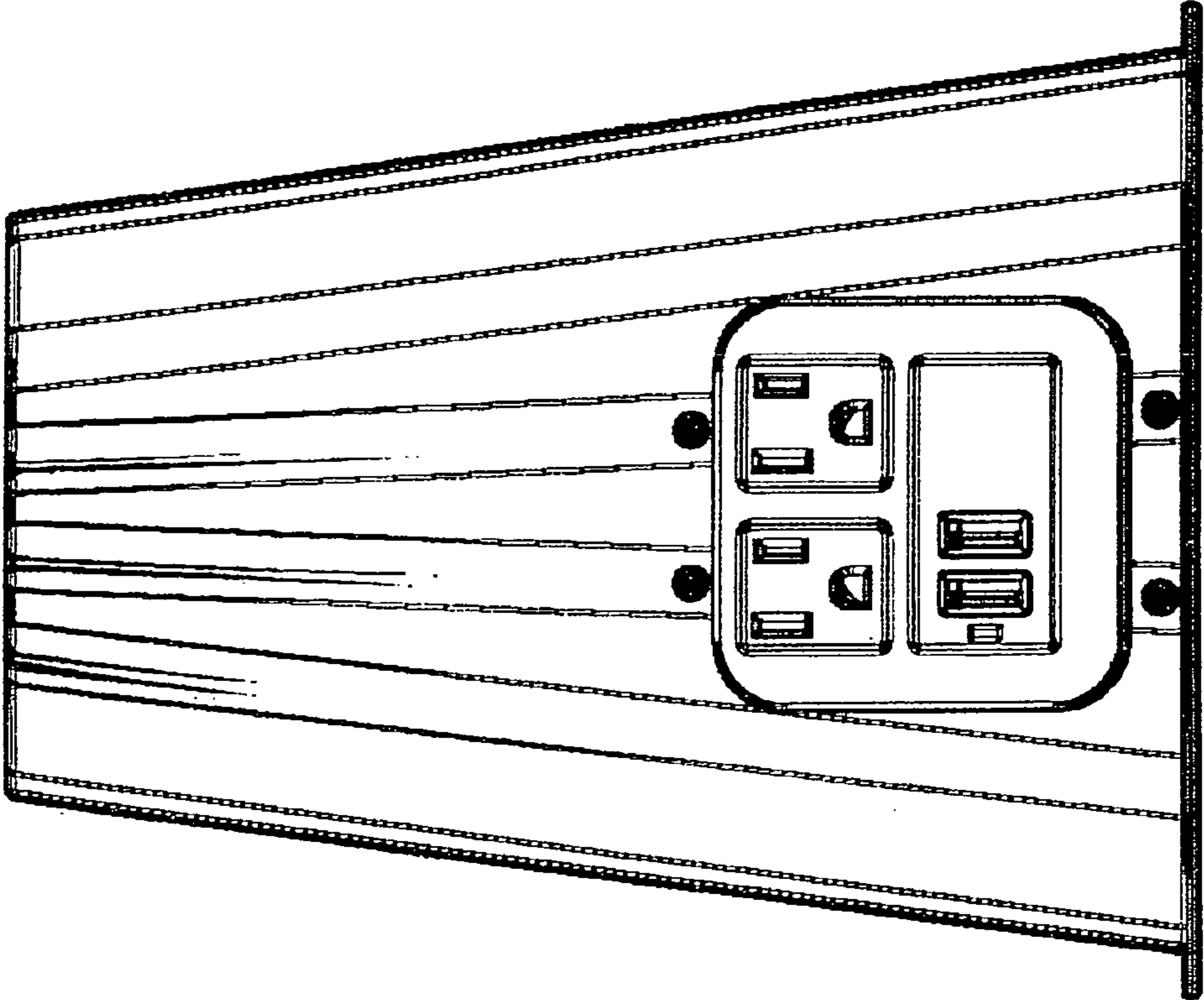


FIG. 3

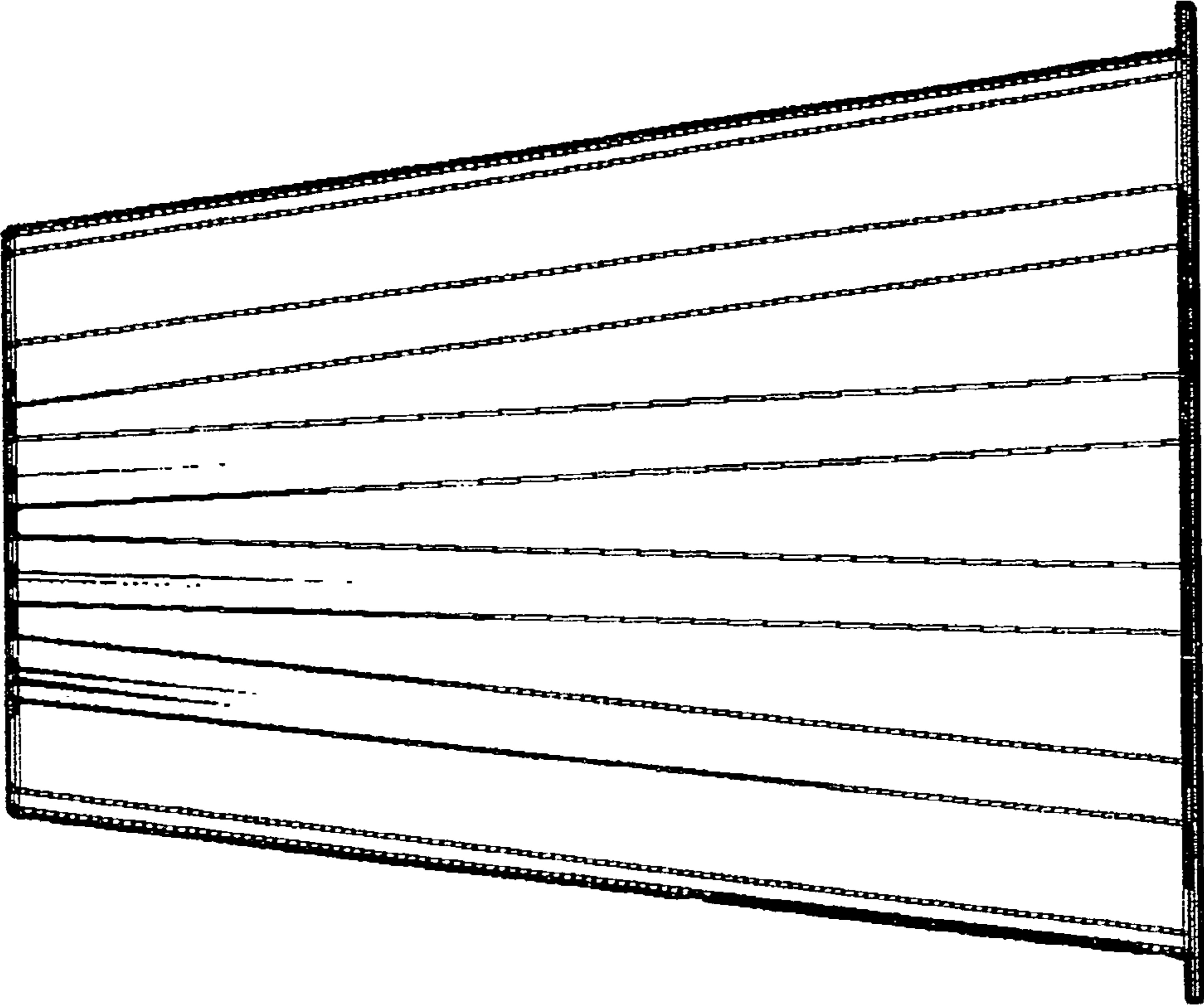


FIG. 4

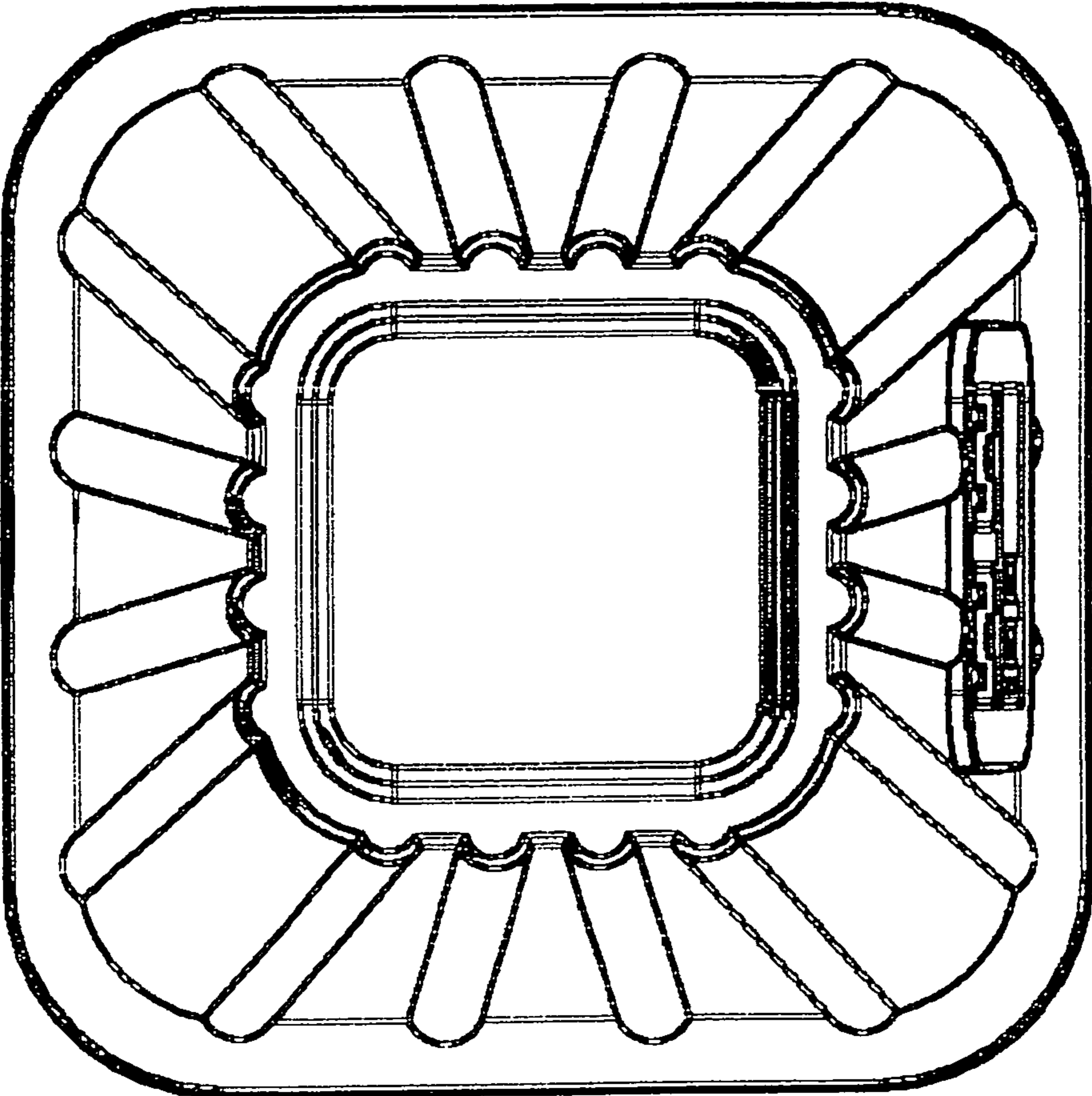


FIG. 5

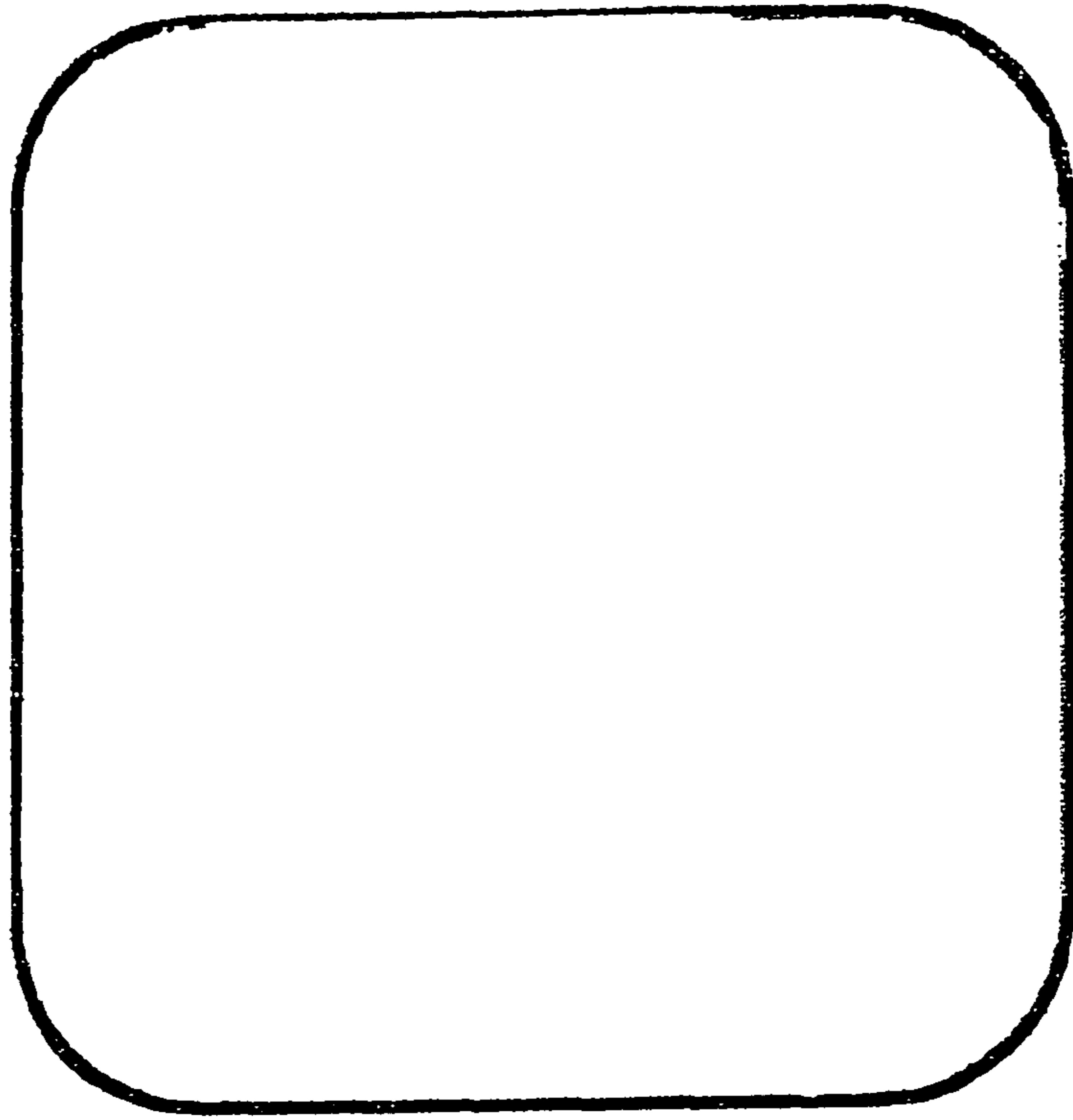


FIG. 6