



US00D733538S

(12) **United States Design Patent**  
**Nagel**

(10) **Patent No.:** **US D733,538 S**  
(45) **Date of Patent:** **\*\* Jul. 7, 2015**

(54) **MOUNT FOR AN ADJUSTABLE RETAIL MERCHANDISE HOOK**

D551,953 S \* 10/2007 Smalley ..... D8/381  
D592,491 S \* 5/2009 Kirby ..... D8/380  
D699,551 S \* 2/2014 Perlis ..... D8/380

(71) Applicant: **Thomas O. Nagel**, Rockford, IL (US)

\* cited by examiner

(72) Inventor: **Thomas O. Nagel**, Rockford, IL (US)

*Primary Examiner* — Robert M Spear

(73) Assignee: **Southern Imperial, Inc.**, Rockford, IL (US)

*Assistant Examiner* — Eliza Bennett-Hattan

(74) *Attorney, Agent, or Firm* — Reinhart Boerner Van Deuren P.C.

(\*\*) Term: **14 Years**

(57) **CLAIM**

I claim the ornamental design for the mount for an adjustable retail merchandise hook, as shown and described.

(21) Appl. No.: **29/467,316**

**DESCRIPTION**

(22) Filed: **Sep. 18, 2013**

(51) **LOC (10) Cl.** ..... **08-05**

(52) **U.S. Cl.**  
USPC ..... **D8/363**

(58) **Field of Classification Search**  
USPC ..... D8/383, 374, 300, 303, 313, 314, 394,  
D8/396, 380, 373, 395, 363, 381, 44, 19,  
D8/352, 370, 308, 372, 376; D13/133;  
D19/1; D22/108; D26/87; D9/686,  
D9/687; D23/238; D6/300  
CPC ... A47F 5/0006; A47F 5/0823; A47F 5/0861;  
A47F 7/148; G09F 7/18  
See application file for complete search history.

FIG. 1 is a perspective view of the mount for an adjustable retail merchandise hook in a first operational environment;  
FIG. 2 is another perspective view thereof in the operational environment shown in FIG. 1;  
FIG. 3 is another perspective view thereof in a second operational environment;  
FIG. 4 is another perspective view thereof in the second operational environment shown in FIG. 3;  
FIG. 5 is another perspective view thereof;  
FIG. 6 is a another perspective view thereof;  
FIG. 7 is a top view thereof;  
FIG. 8 is a side view thereof;  
FIG. 9 is a front view thereof;  
FIG. 10 is another side view thereof, showing the side opposite that shown in FIG. 7;  
FIG. 11 is a back view thereof; and,  
FIG. 12 is a bottom view thereof.

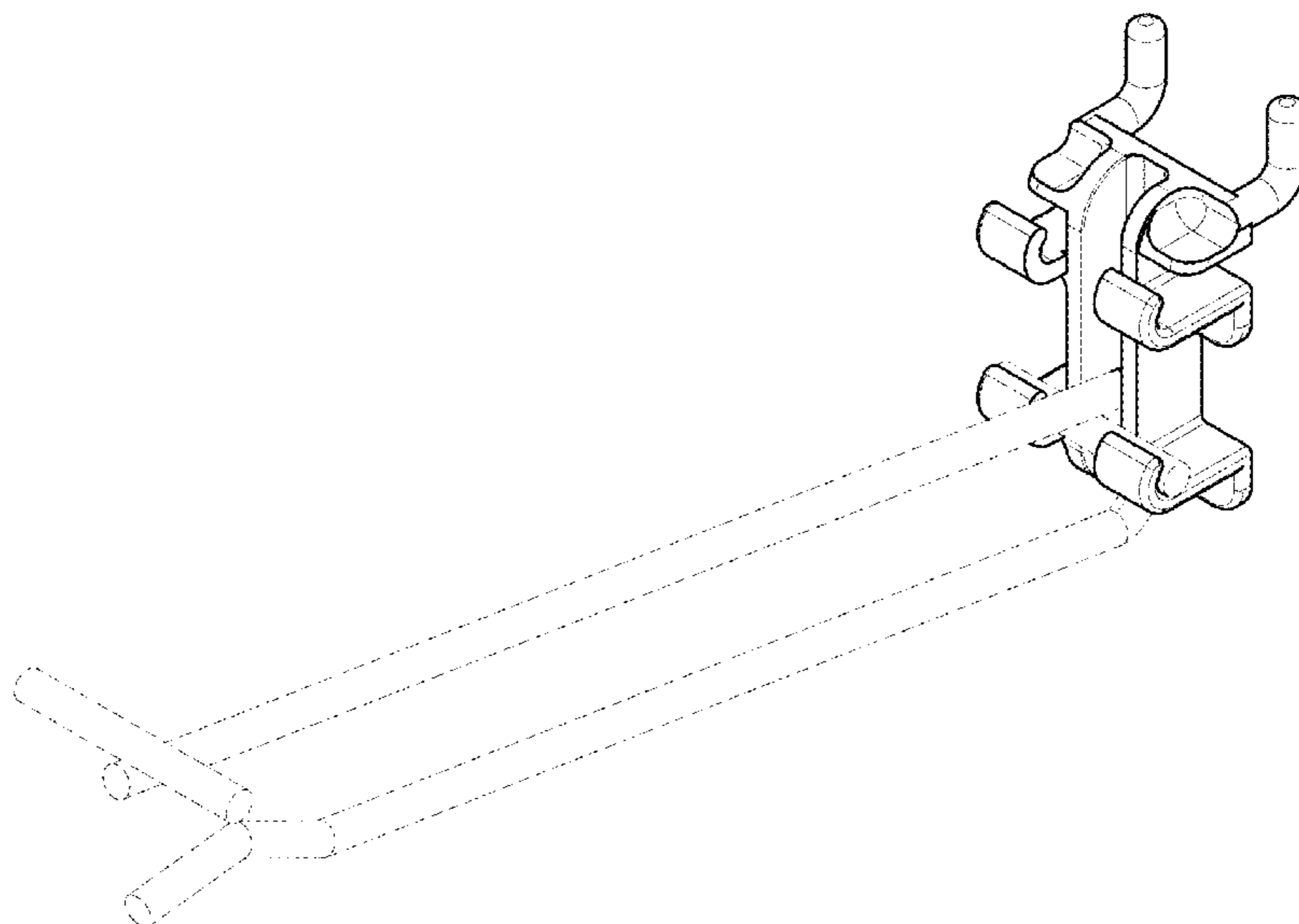
The dashed lines shown in the corresponding figures are for purposes of illustrating the environment of the claimed design and form no part of the claimed design.

(56) **References Cited**

U.S. PATENT DOCUMENTS

D50,607 S \* 4/1917 Carter ..... D8/395  
D185,145 S \* 5/1959 Gustafson ..... D8/395  
D272,414 S \* 1/1984 Barnes ..... D8/363  
D337,043 S \* 7/1993 Barnes ..... D8/373  
D490,695 S \* 6/2004 DeBiasio, Jr. .... D8/373  
D494,453 S \* 8/2004 Ziaylek et al. .... D8/373

**1 Claim, 5 Drawing Sheets**



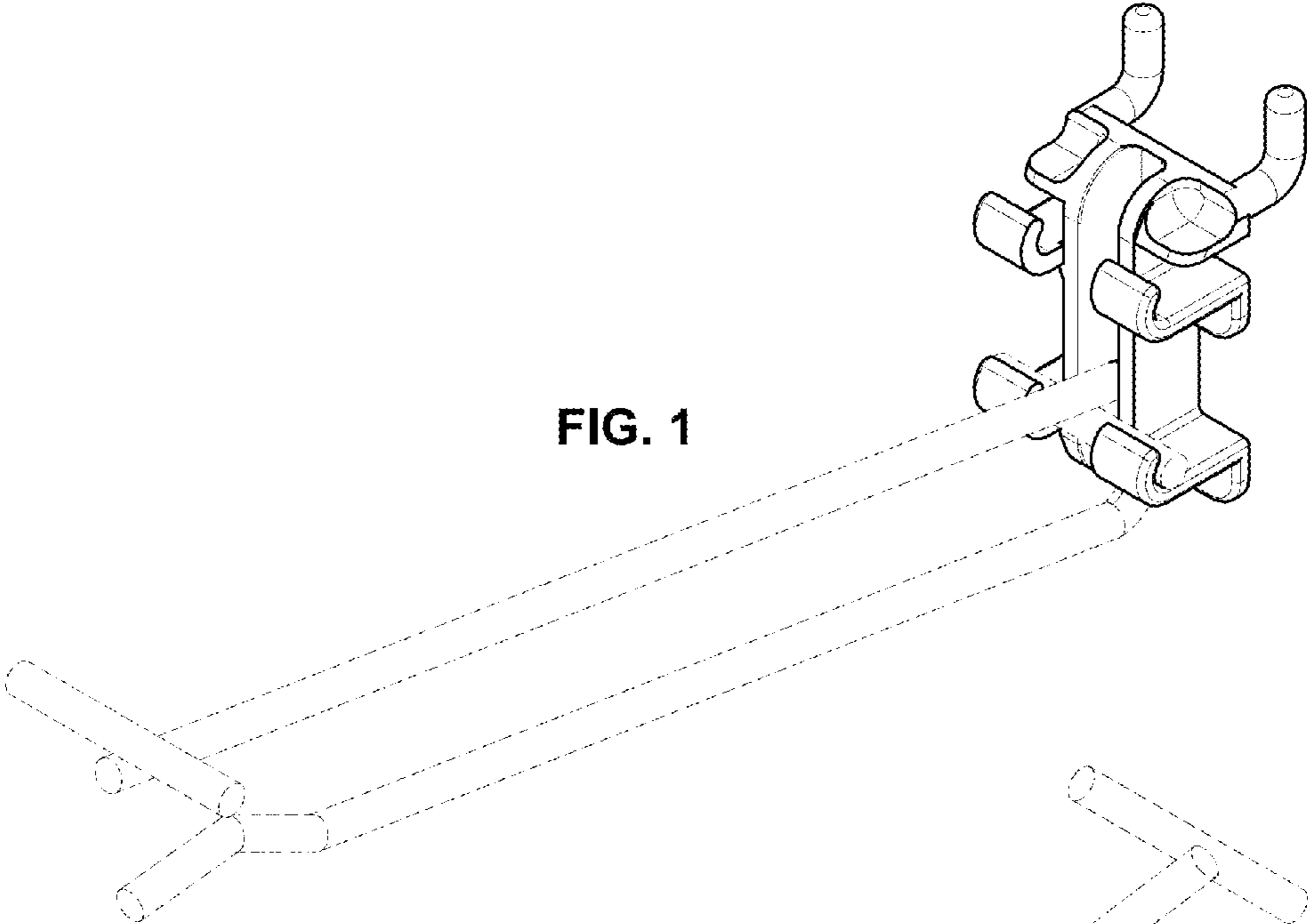


FIG. 1

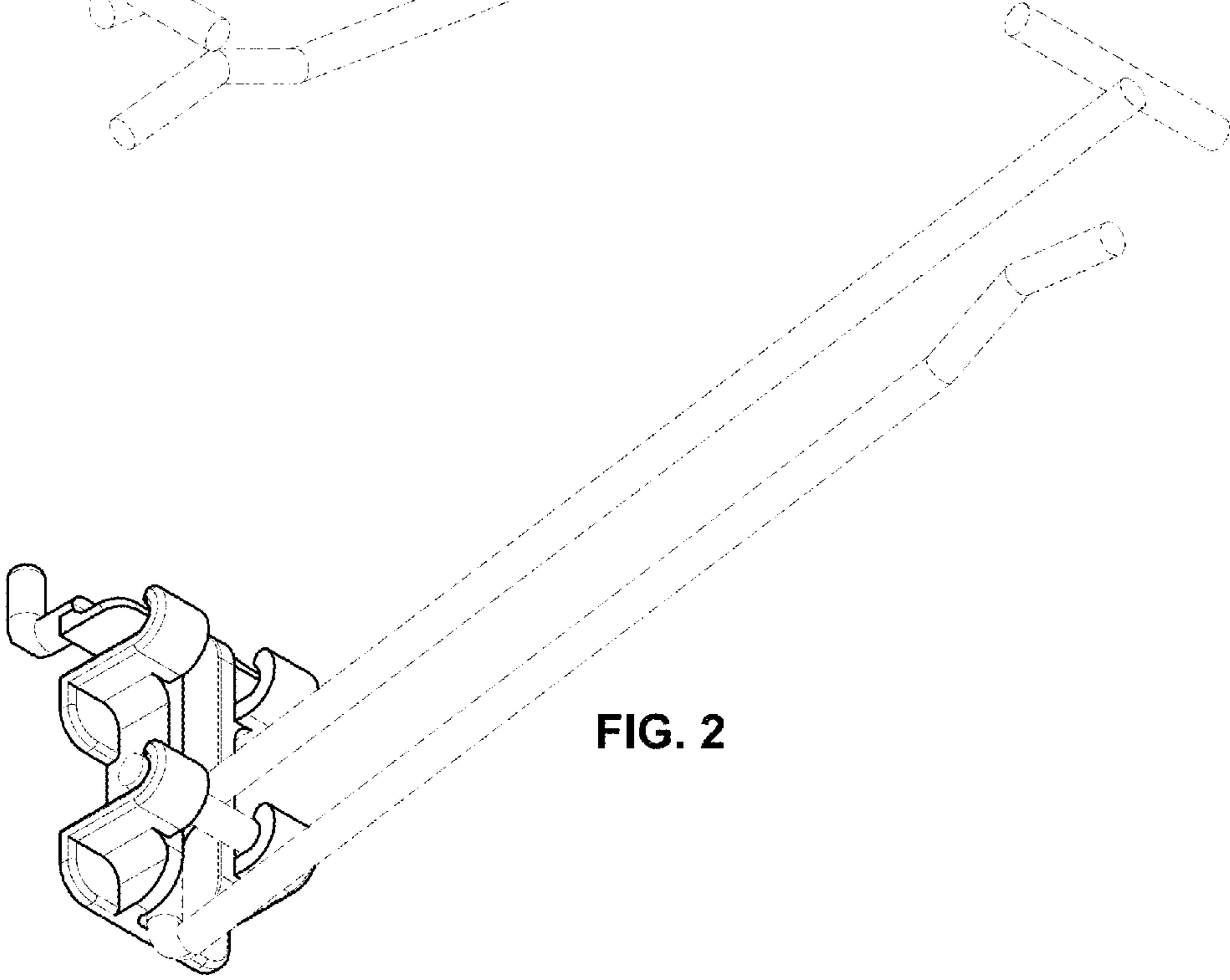


FIG. 2

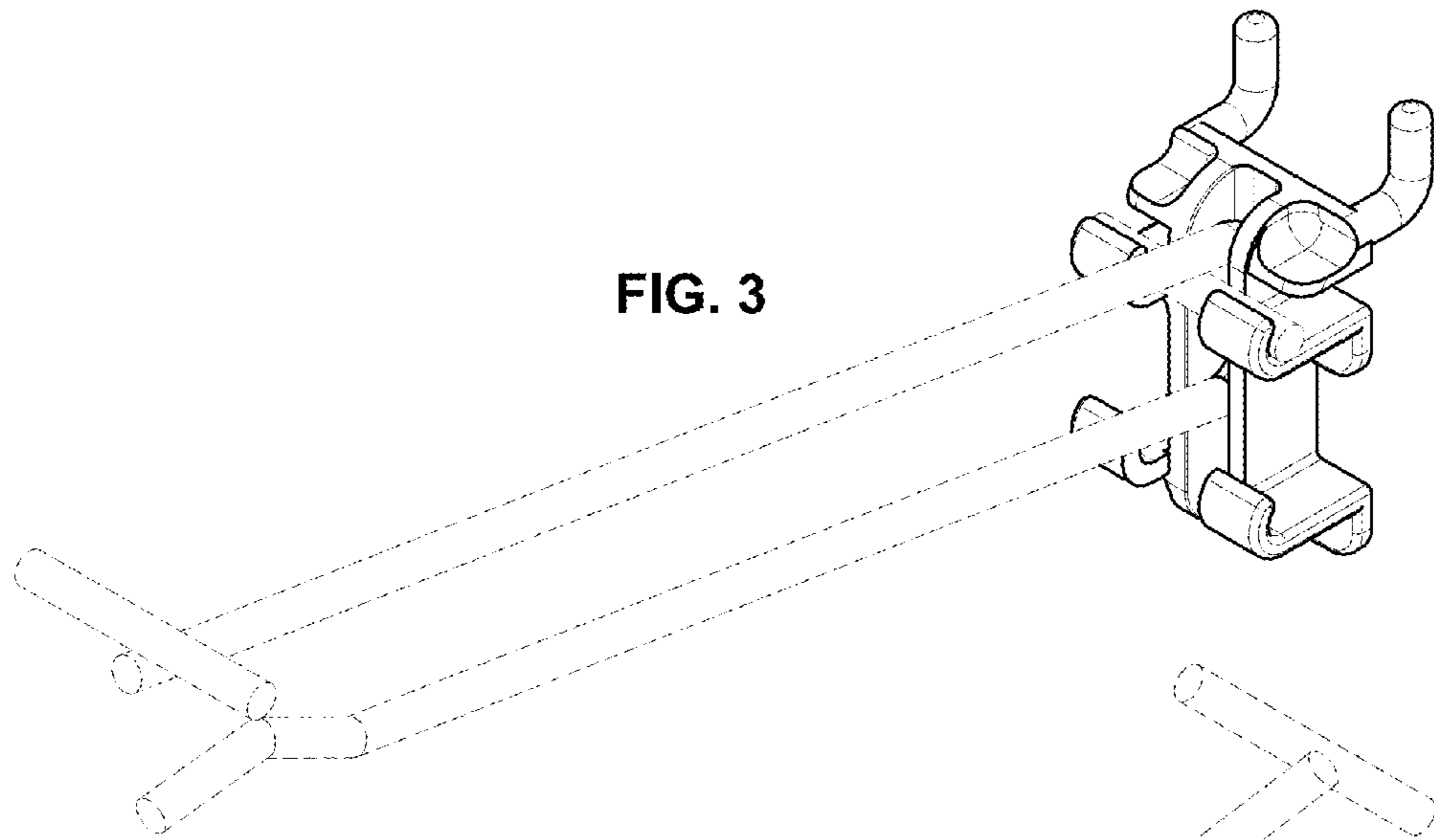


FIG. 3

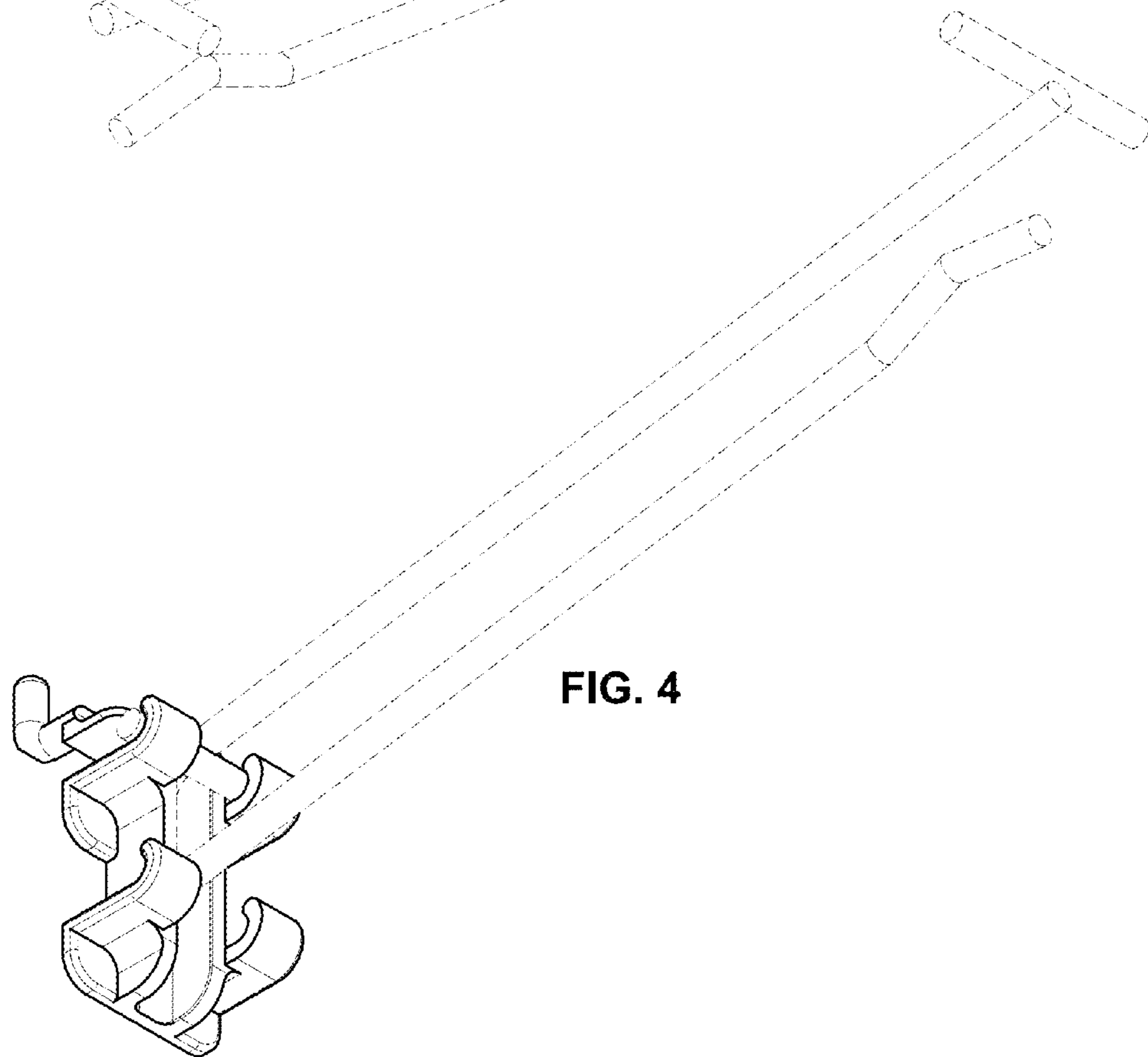


FIG. 4

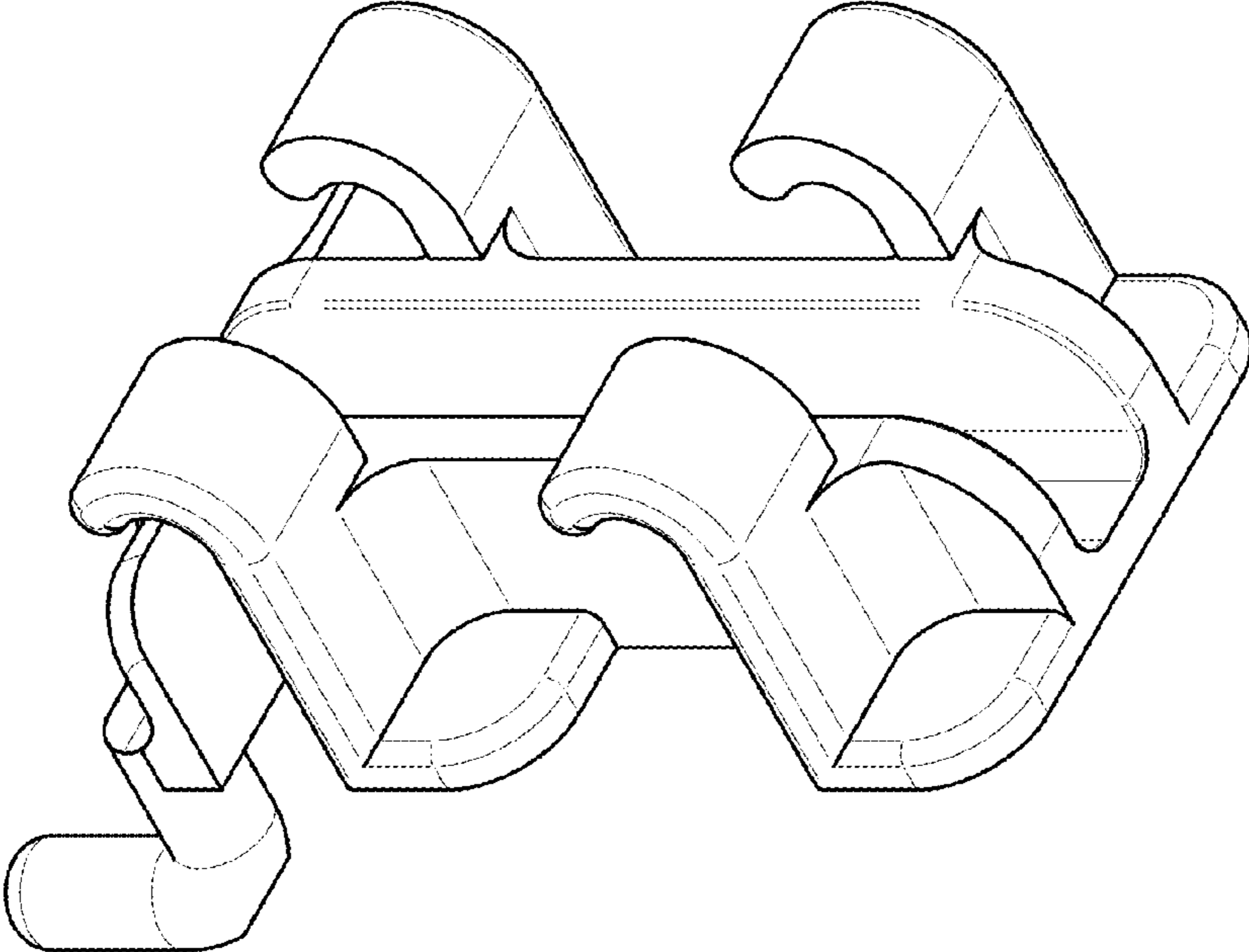


FIG. 6

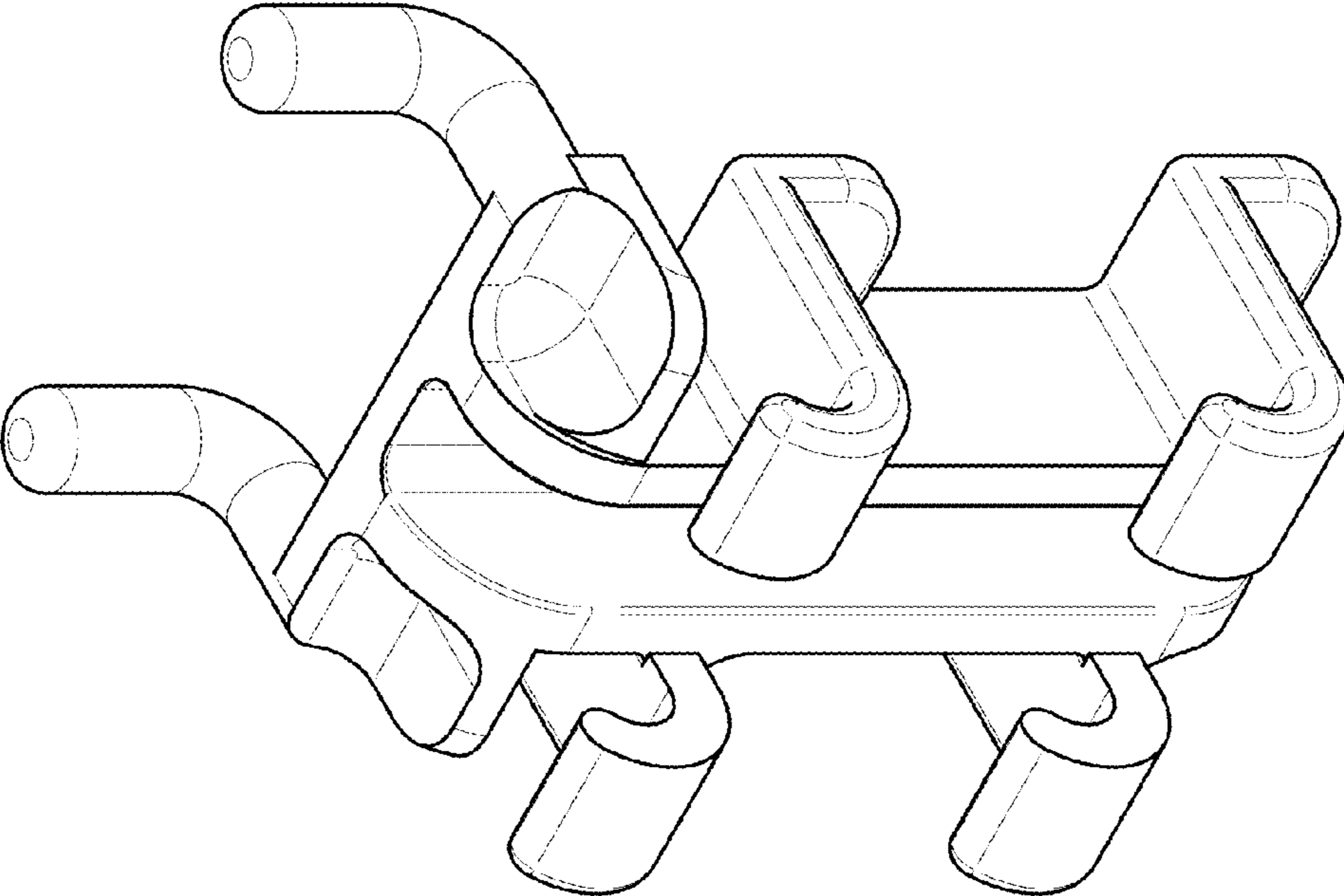


FIG. 5

FIG. 7

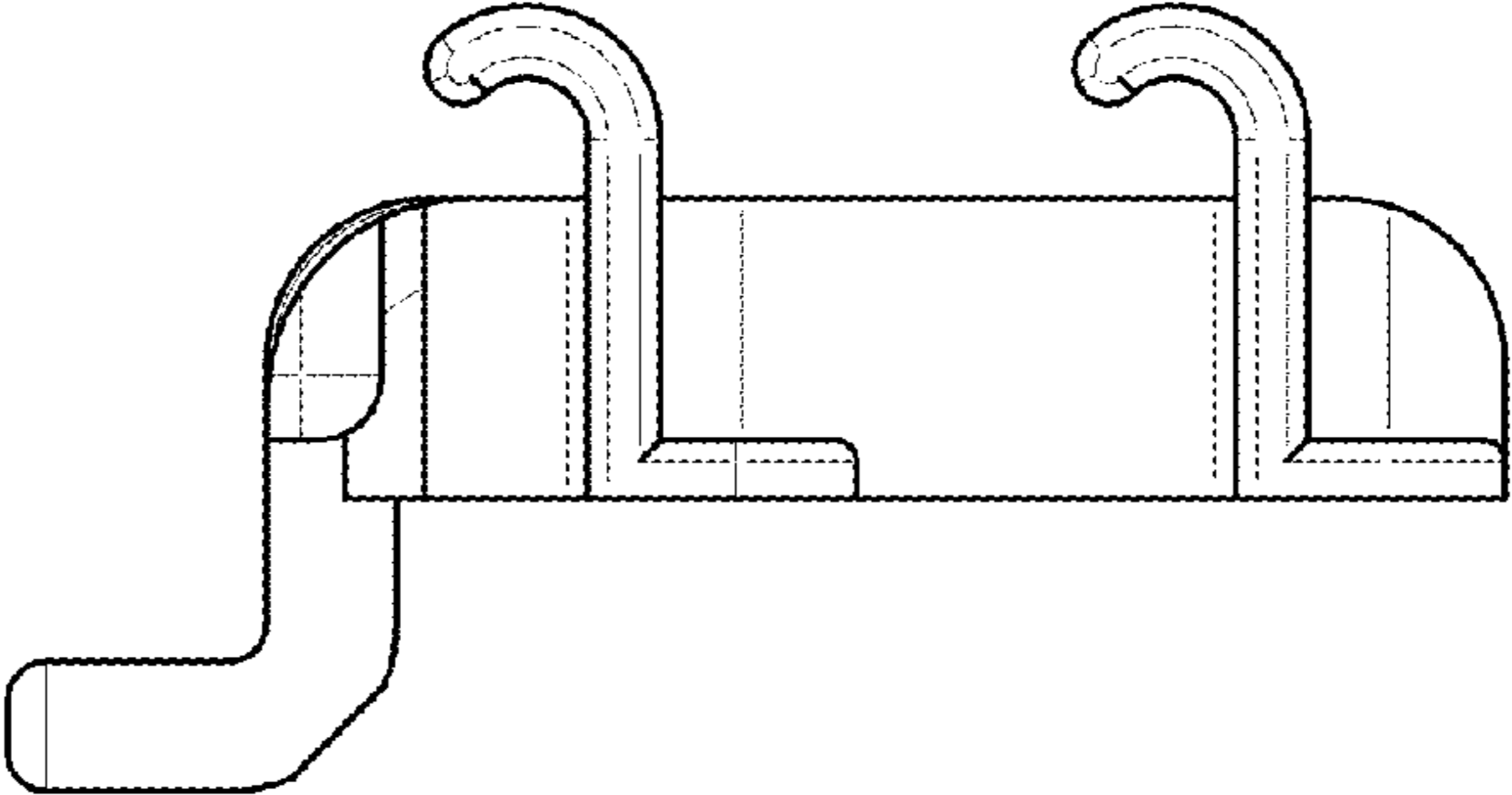
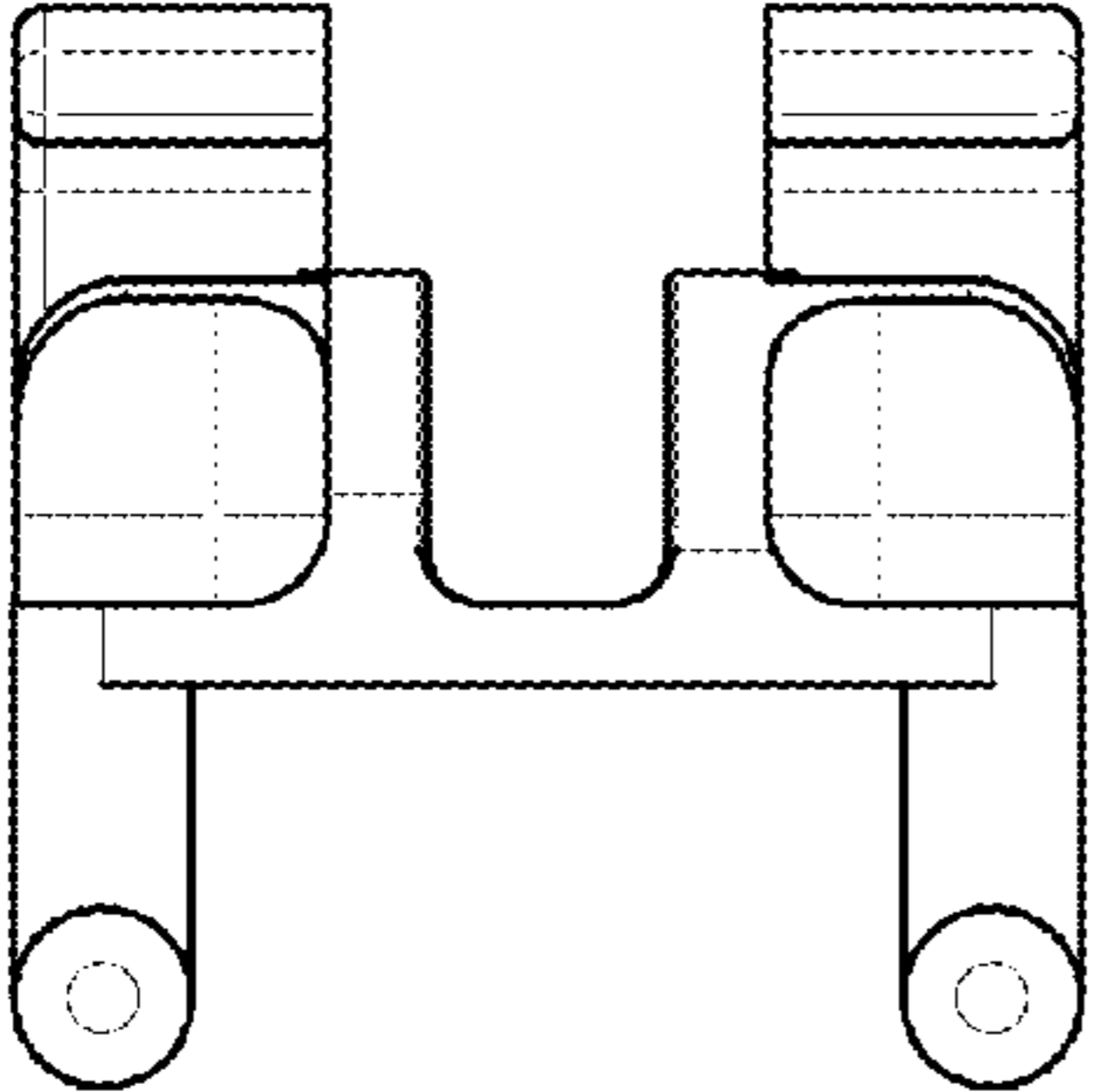


FIG. 8

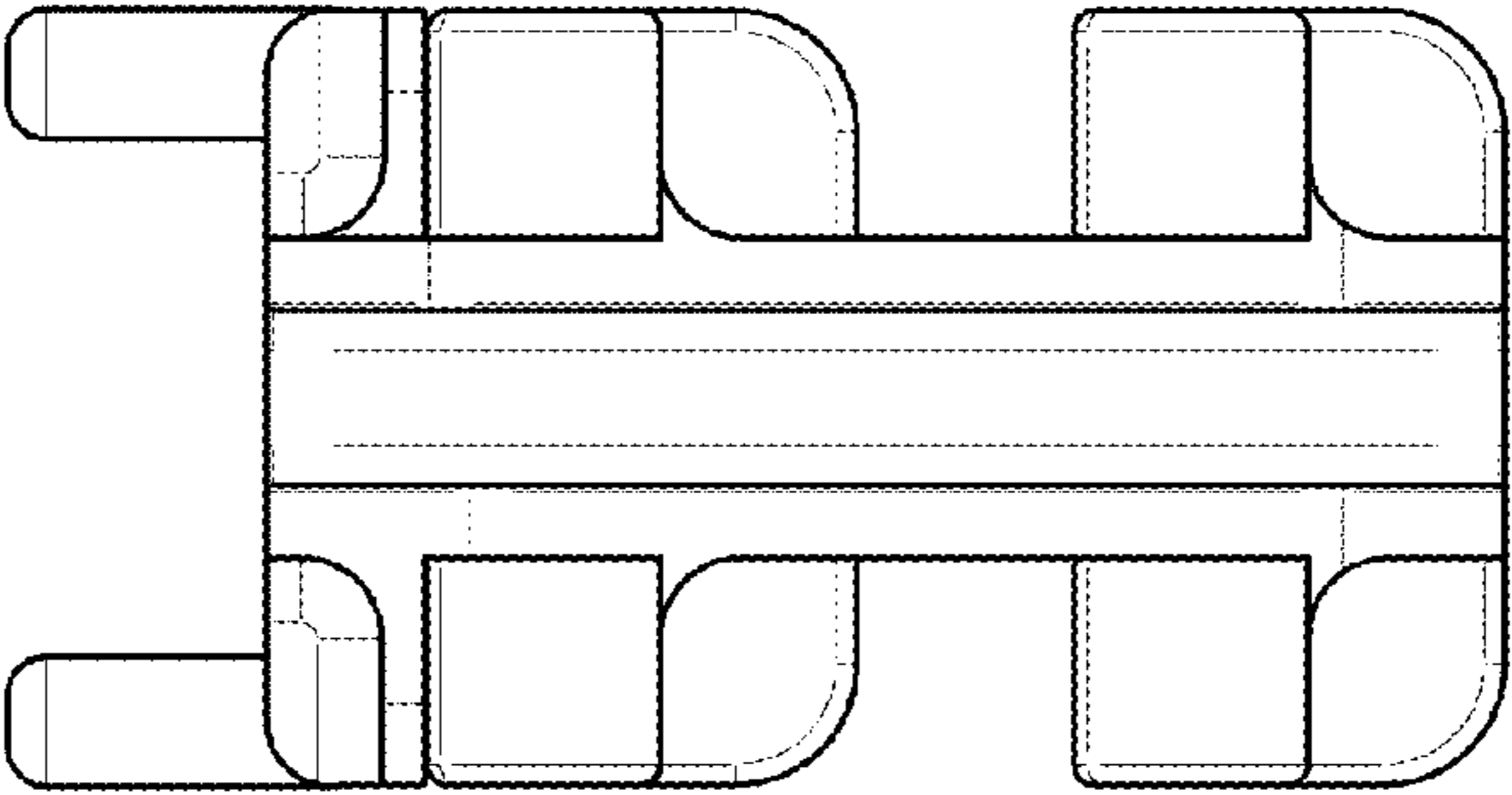


FIG. 9

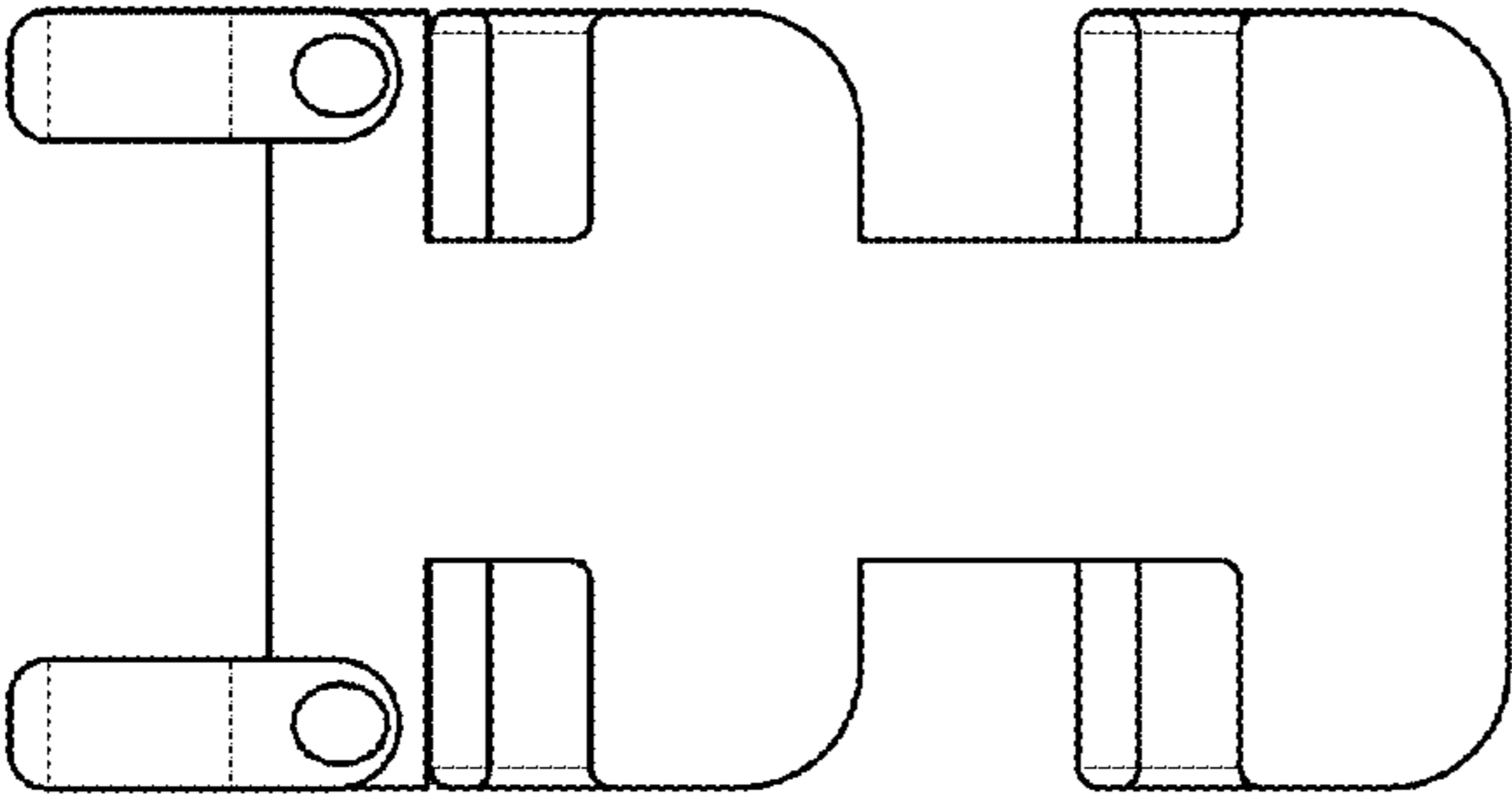


FIG. 11

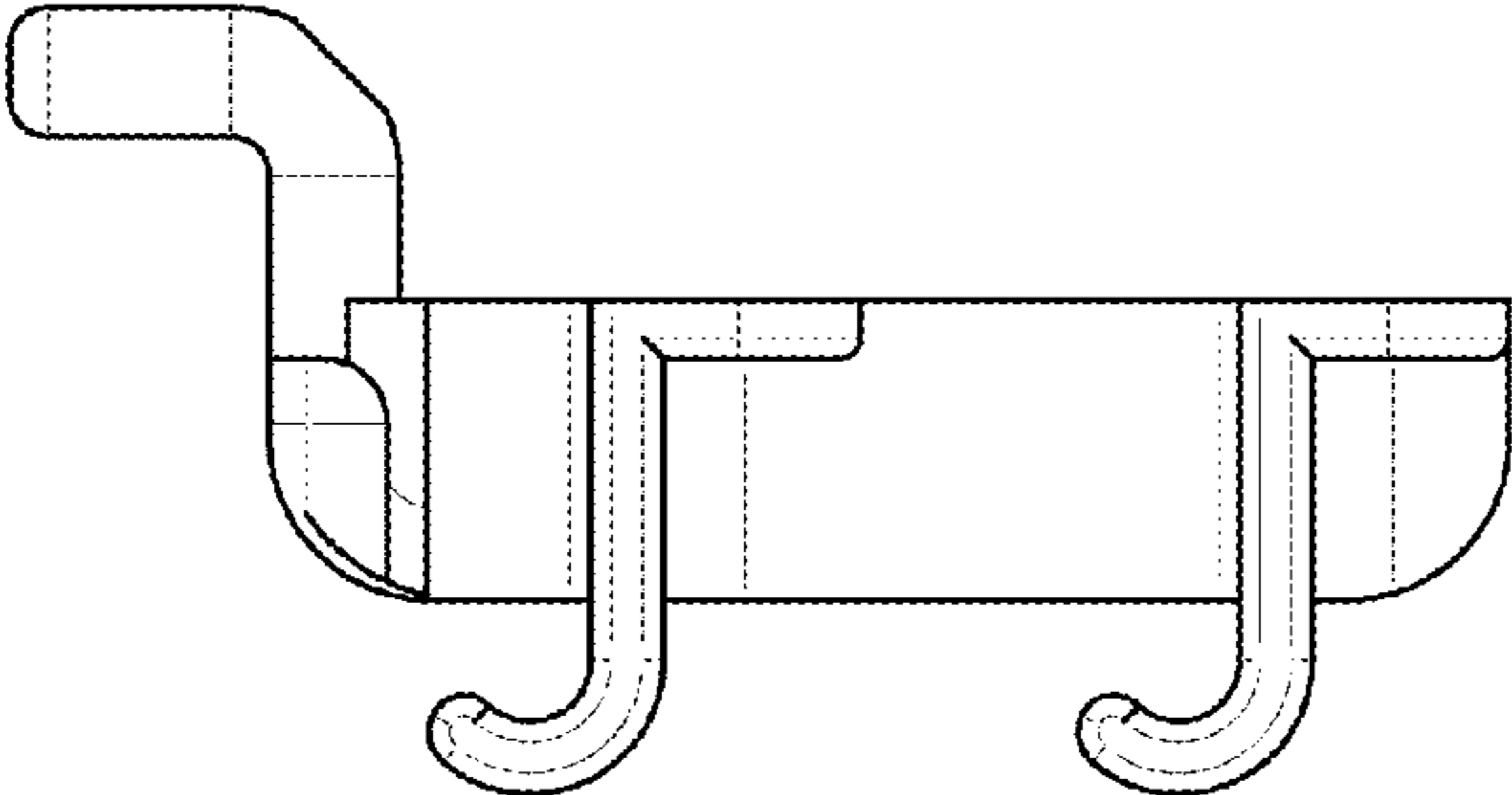


FIG. 10

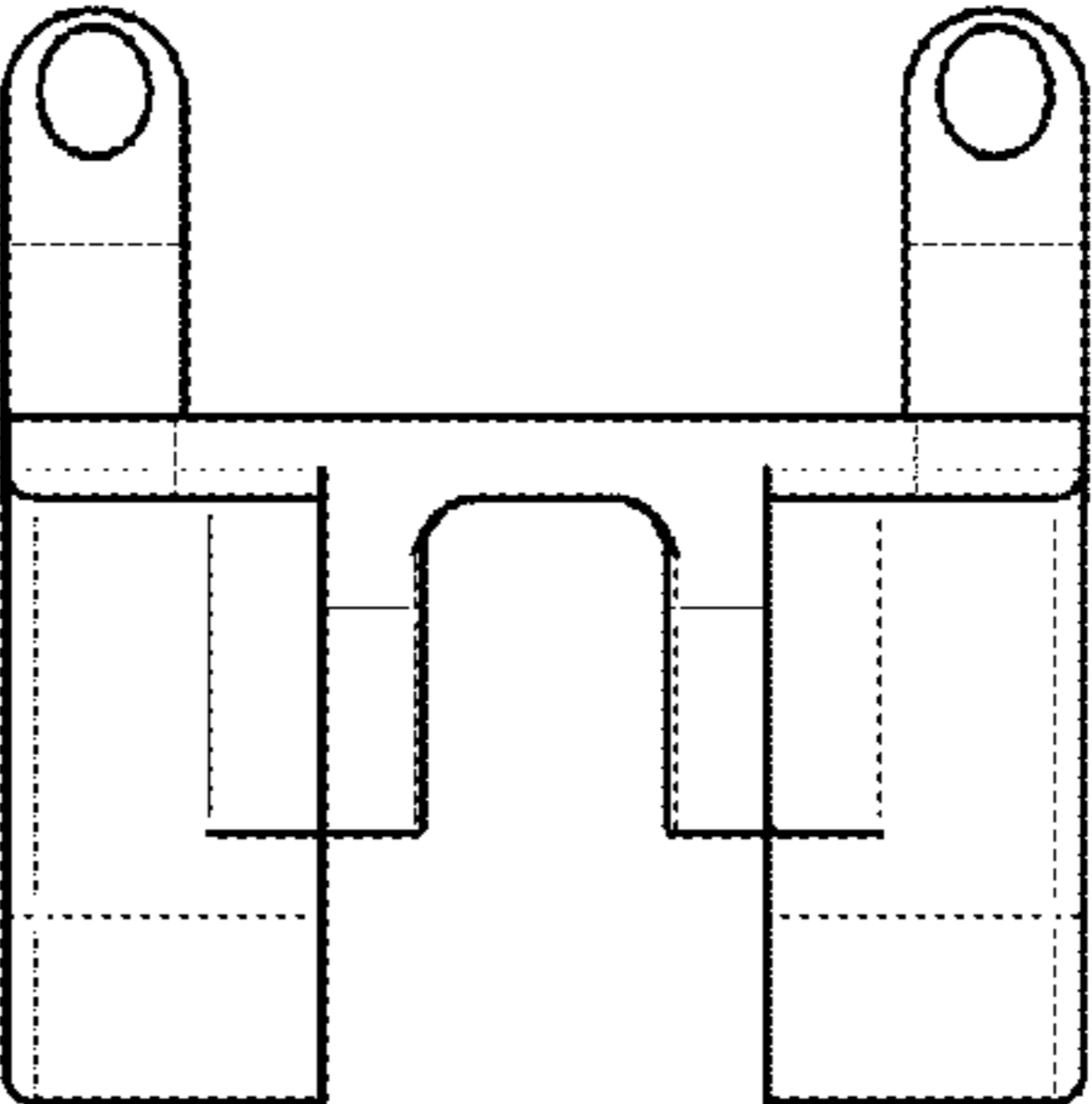


FIG. 12