



US00D733537S

(12) **United States Design Patent**  
**Di Stefano**

(10) **Patent No.:** **US D733,537 S**  
(45) **Date of Patent:** **\*\* Jul. 7, 2015**

(54) **BRACKET ASSEMBLY FOR CURTAINS AND BLINDS**

(71) Applicant: **Carmelo Joseph Licciardi Di Stefano**,  
Broadmeadows (AU)

(72) Inventor: **Carmelo Joseph Licciardi Di Stefano**,  
Broadmeadows (AU)

(73) Assignee: **Acmeda Pty Ltd**, Broadmeadows, VIC  
(AU)

(\*\*) Term: **14 Years**

(21) Appl. No.: **29/451,965**

(22) Filed: **Apr. 10, 2013**

(30) **Foreign Application Priority Data**

Oct. 11, 2012 (AU) ..... 15044/2012

(51) **LOC (10) Cl.** ..... **08-05**

(52) **U.S. Cl.**  
USPC ..... **D8/363**

(58) **Field of Classification Search**  
USPC ..... D8/313, 314, 363, 381, 383, 373, 374,  
D8/300, 303, 394, 395, 396, 380;  
24/136 K, 130, 136 R; 42/50; 248/74.1,  
248/328; 5/205, 224; 403/314; D13/133;  
D22/108; D6/550, 554, 546, 540  
CPC ..... H02G 3/22; H02G 7/056; H01R 13/5833;  
H01R 13/72; H01R 4/42; H01R 4/44; H01R  
4/46

See application file for complete search history.

(56) **References Cited**

U.S. PATENT DOCUMENTS

|              |         |                       |        |
|--------------|---------|-----------------------|--------|
| D208,493 S * | 9/1967  | Yokich .....          | D8/380 |
| D220,829 S * | 6/1971  | William .....         | D8/380 |
| D321,124 S * | 10/1991 | Gary .....            | D8/373 |
| D321,125 S * | 10/1991 | Gary .....            | D8/373 |
| D516,413 S * | 3/2006  | Anderson et al. ....  | D8/373 |
| D550,547 S * | 9/2007  | Sato .....            | D8/381 |
| D560,115 S * | 1/2008  | Peyridieu et al. .... | D8/373 |
| D699,552 S * | 2/2014  | Wills .....           | D8/380 |

\* cited by examiner

*Primary Examiner* — Robert M Spear

*Assistant Examiner* — Eliza Bennett-Hattan

(74) *Attorney, Agent, or Firm* — Head, Johnson & Kachigian, P.C.

(57) **CLAIM**

The ornamental design for a bracket assembly for curtains and blinds, as shown and described.

**DESCRIPTION**

FIG. 1 is a front view of the bracket assembly for curtains and blinds;

FIG. 2 is a right side view thereof with the left side view being a mirror image thereof;

FIG. 3 is a rear view thereof;

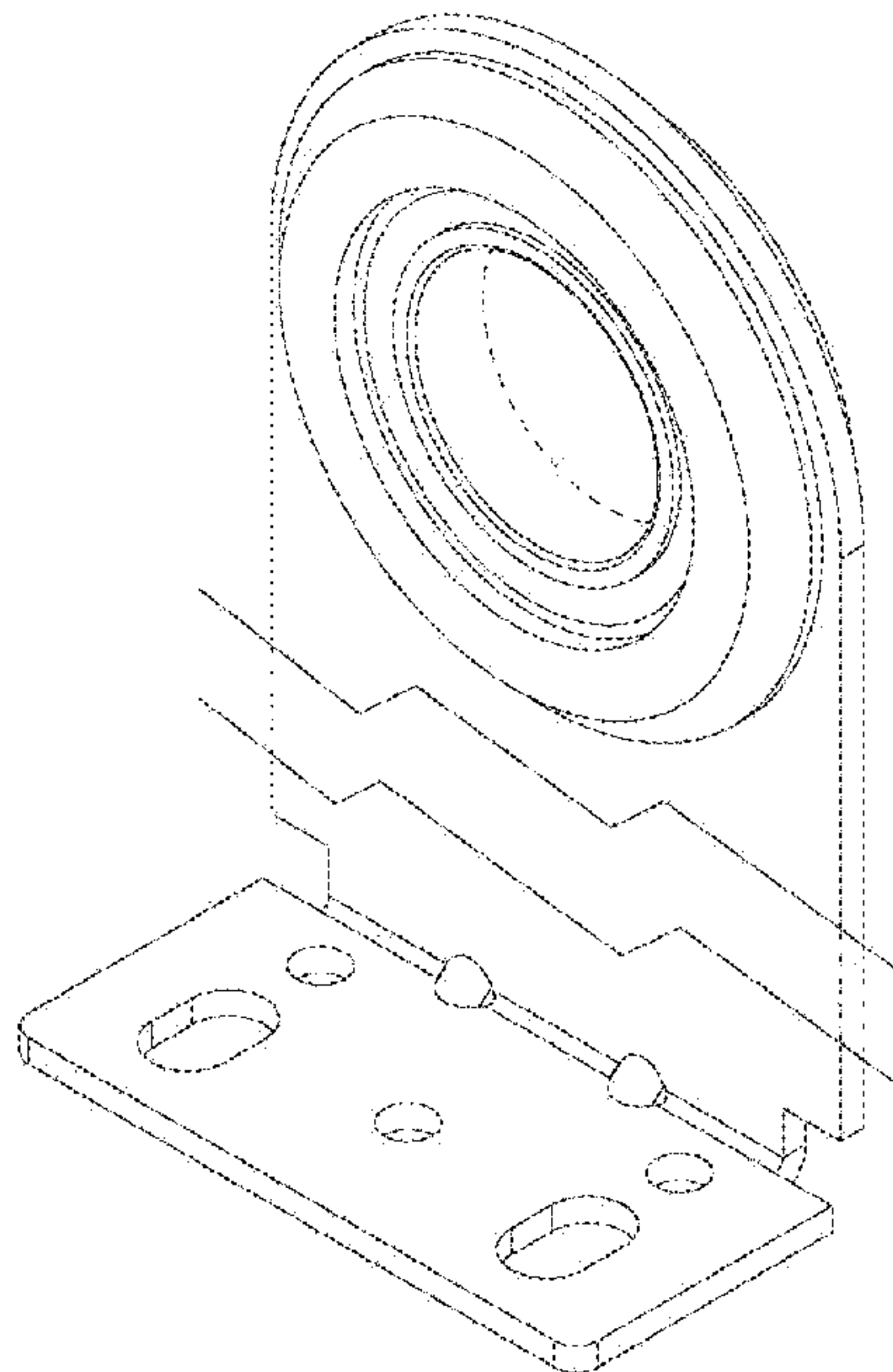
FIG. 4 is a bottom view thereof;

FIG. 5 is a top view thereof; and,

FIG. 6 is a perspective view thereof.

The Bracket for Curtains and Blinds is shown with a symbolic break in its length. The appearance of any portion of the article between the break lines forms no part of the claimed design.

**1 Claim, 3 Drawing Sheets**



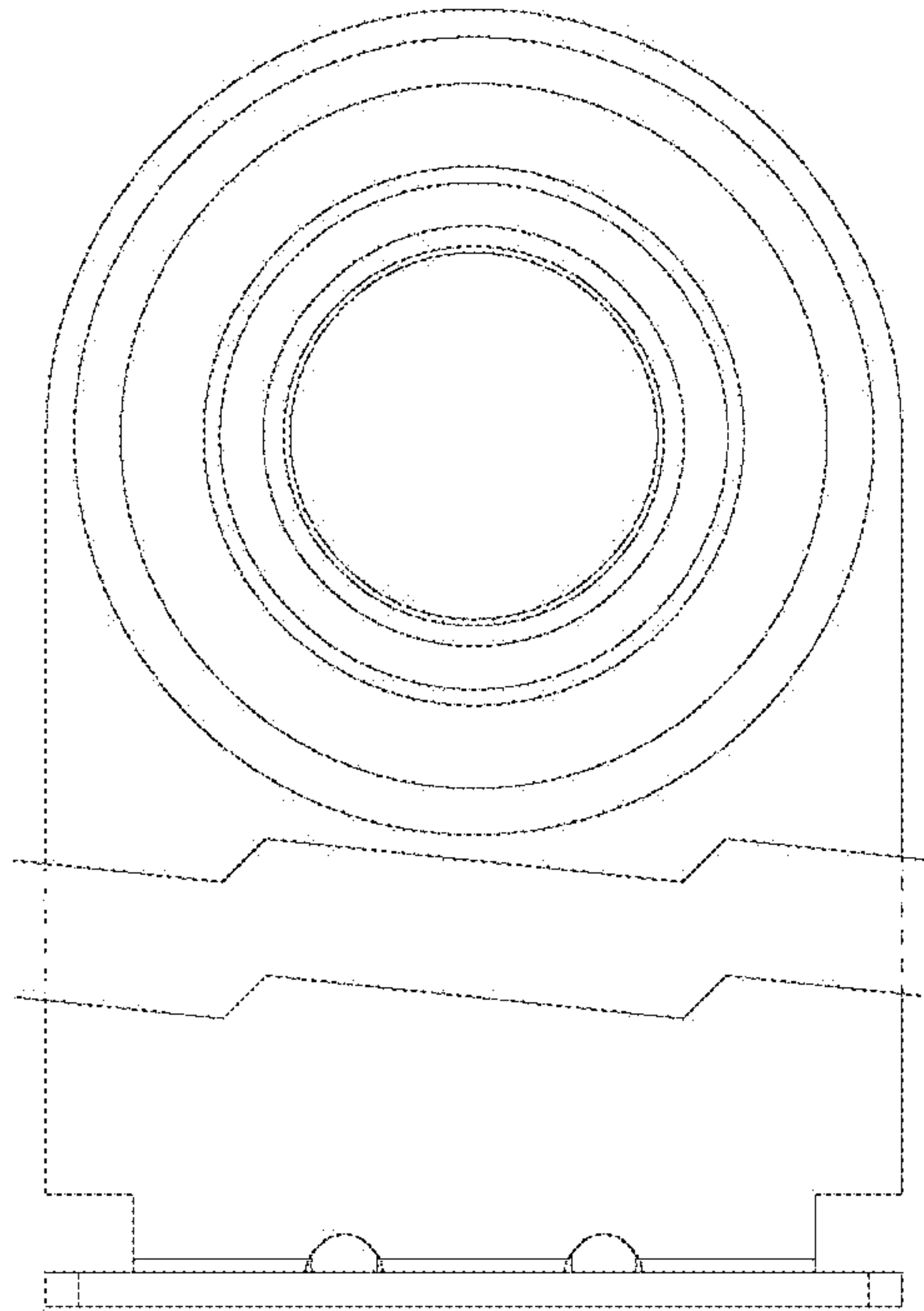


Figure 1

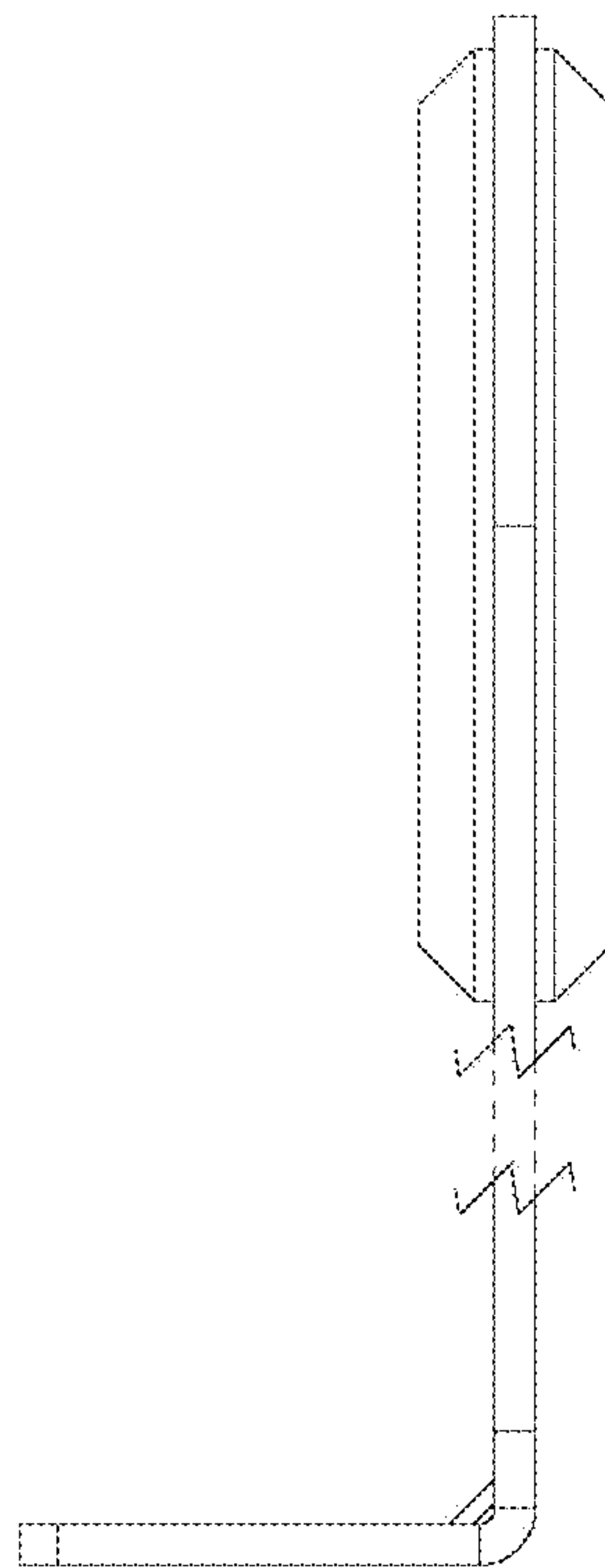


Figure 2

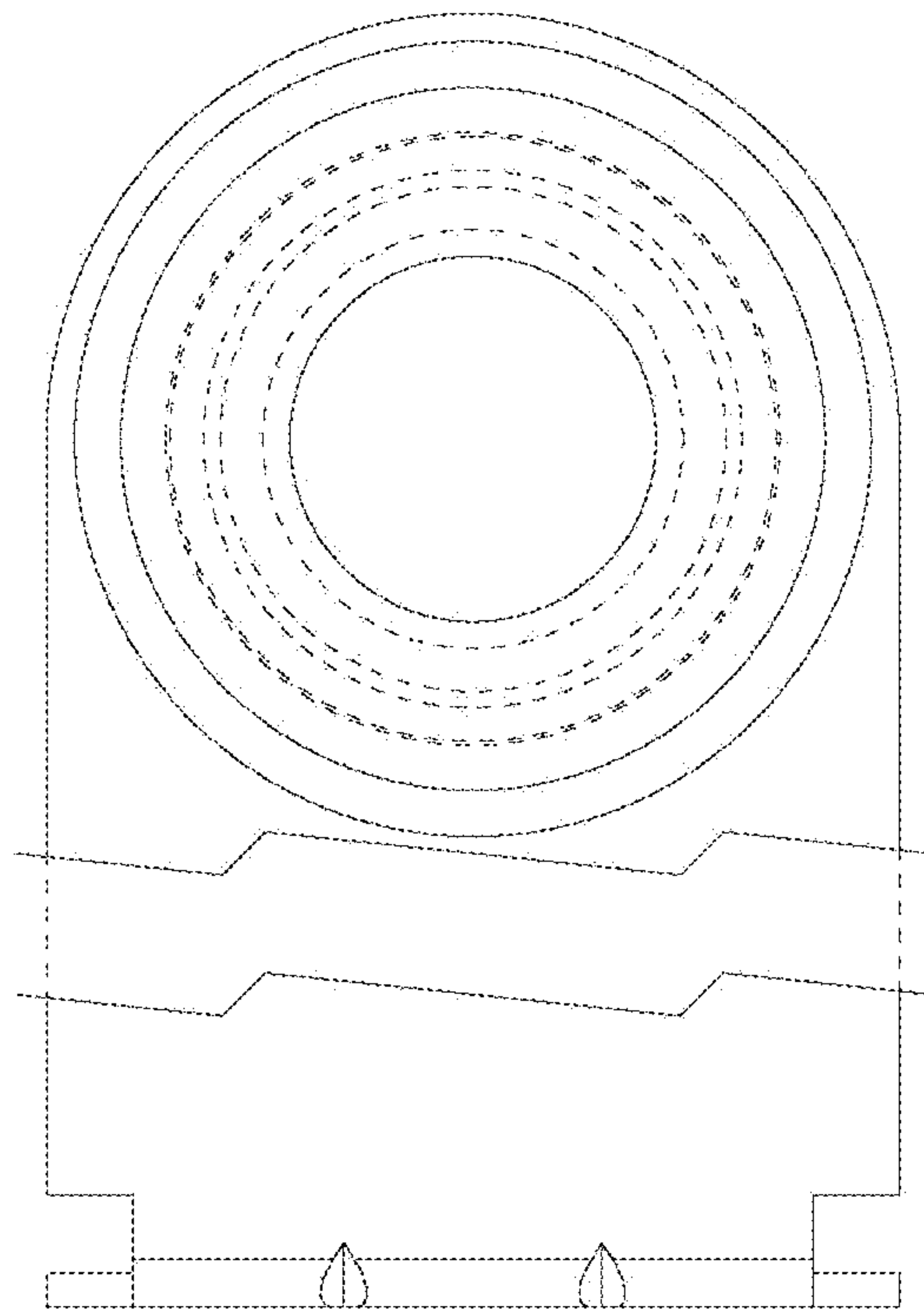


Figure 3

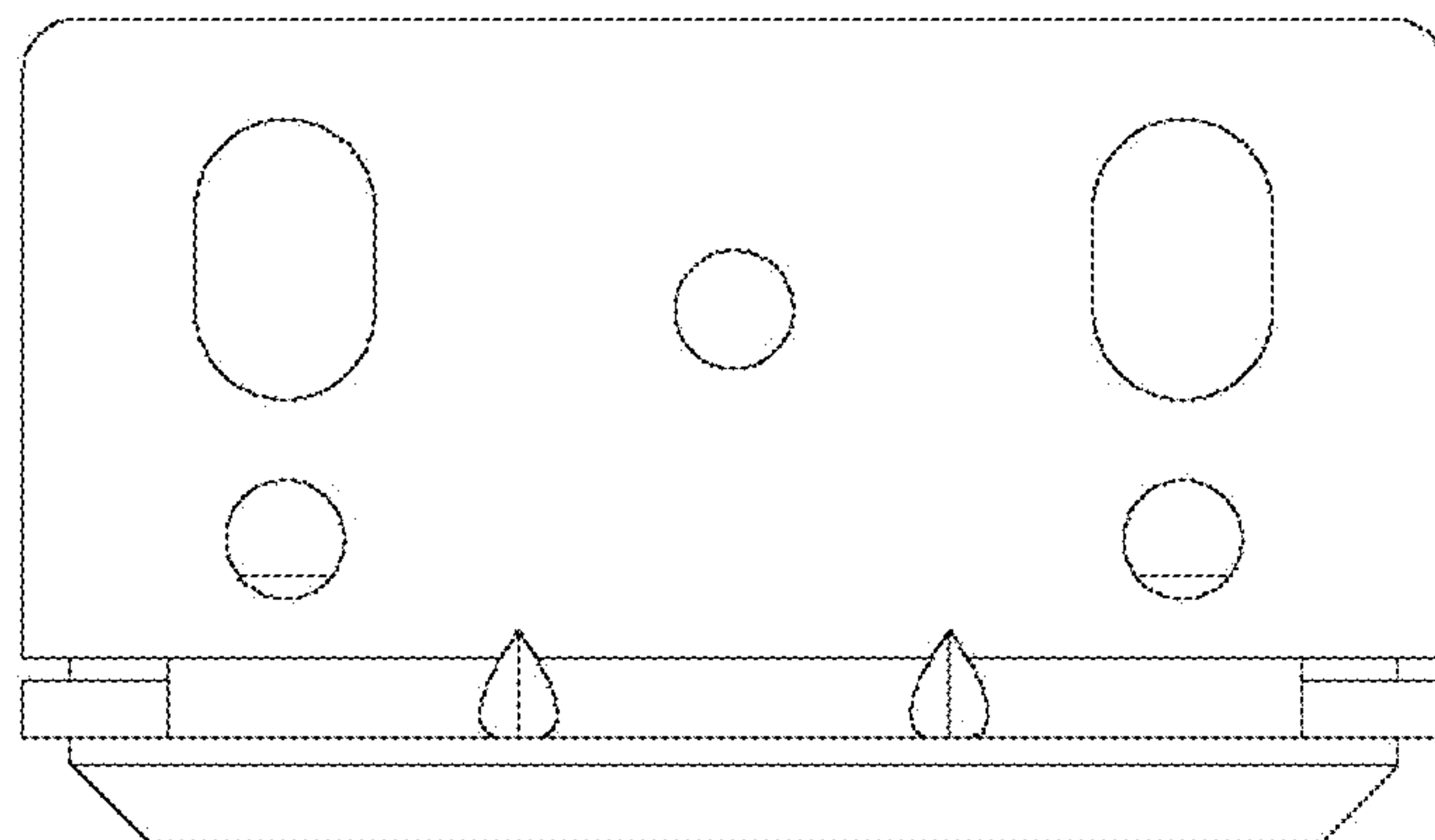


Figure 4

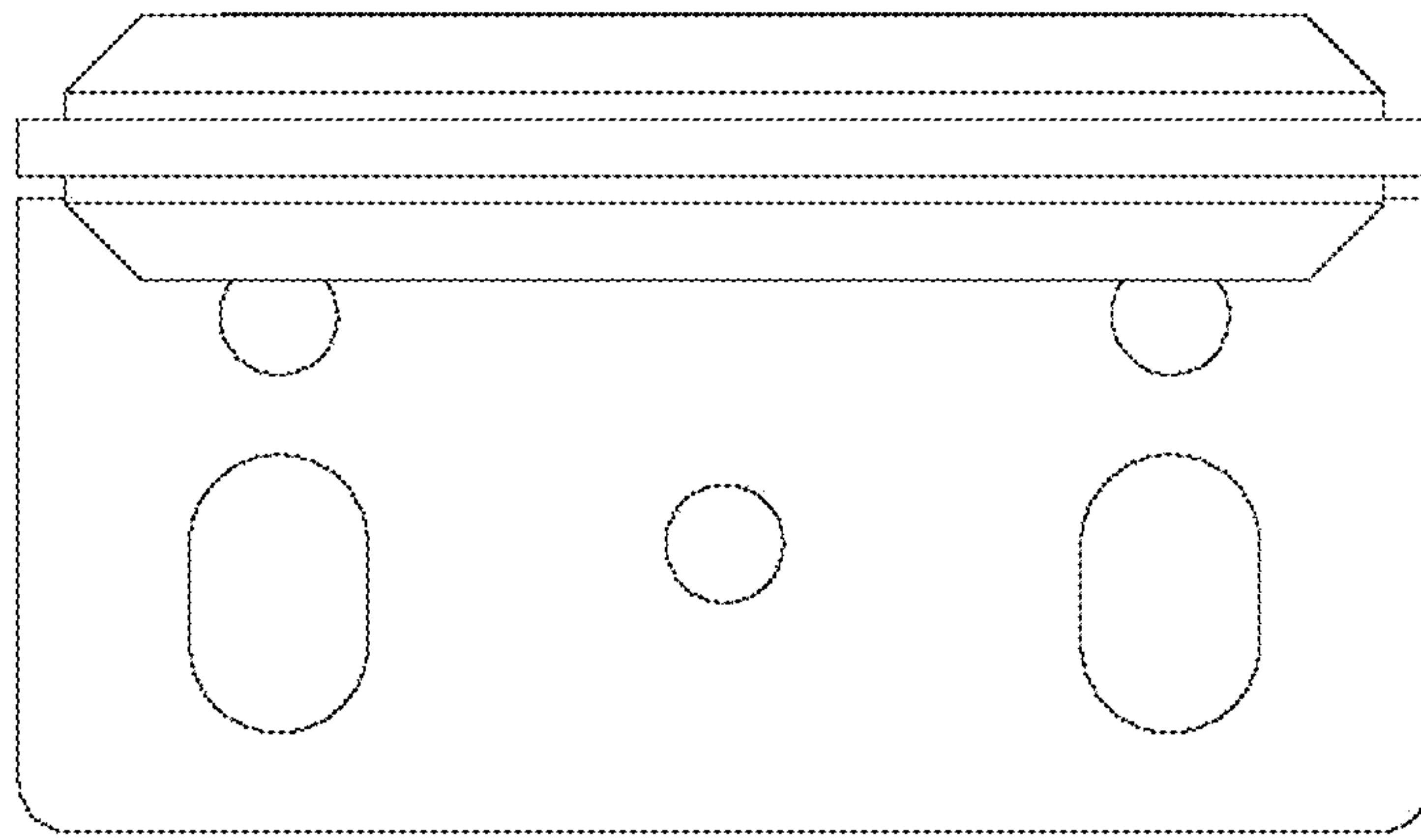


Figure 5

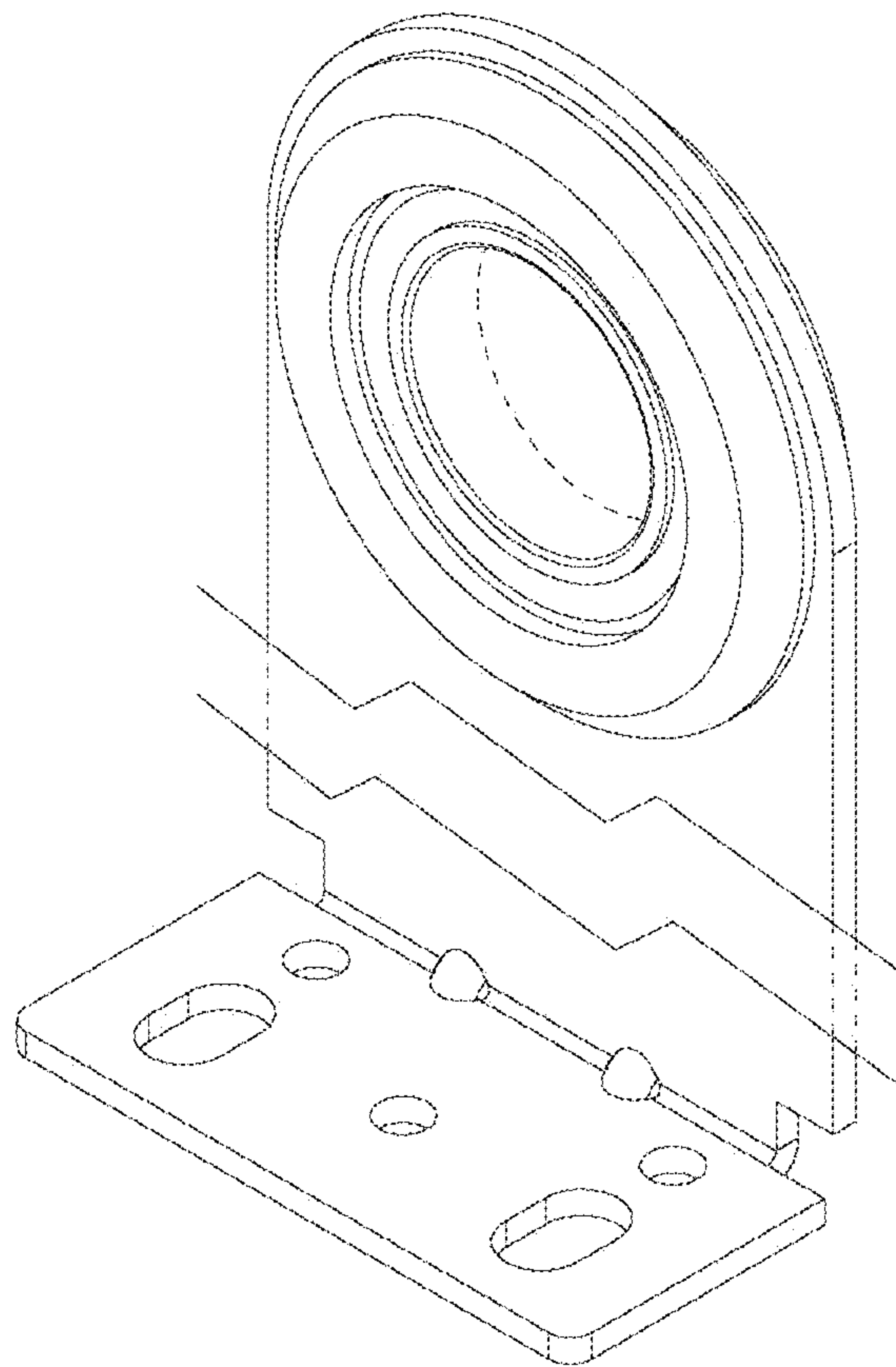


Figure 6