



US00D733536S

(12) **United States Design Patent**
Di Stefano

(10) **Patent No.:** **US D733,536 S**
(45) **Date of Patent:** **** Jul. 7, 2015**

(54) **BRACKET ASSEMBLY FOR CURTAINS AND BLINDS**

(71) Applicant: **Carmelo Joseph Licciardi Di Stefano**,
Broadmeadows (AU)

(72) Inventor: **Carmelo Joseph Licciardi Di Stefano**,
Broadmeadows (AU)

(73) Assignee: **Acmeda Pty Ltd**, Broadmeadows, VIC
(AU)

(**) Term: **14 Years**

(21) Appl. No.: **29/451,961**

(22) Filed: **Apr. 10, 2013**

(30) **Foreign Application Priority Data**

Oct. 11, 2012 (AU) 15043/2012

(51) **LOC (10) Cl.** **08-05**

(52) **U.S. Cl.**
USPC **D8/363**

(58) **Field of Classification Search**

USPC D8/313, 314, 363, 381, 383, 373, 374,
D8/300, 303, 394, 395, 396, 380;
24/136 K, 130, 136 R; 42/50; 248/74.1,
248/328; 5/205, 224; 403/314; D13/133;
D22/108; D6/550, 554, 546, 540
CPC H02G 3/22; H02G 7/056; H01R 13/5833;
H01R 13/72; H01R 4/42; H01R 4/44; H01R
4/46

See application file for complete search history.

(56) **References Cited**

U.S. PATENT DOCUMENTS

D208,493 S *	9/1967	Yokich	D8/380
D220,829 S *	6/1971	William	D8/380
D321,124 S *	10/1991	Gary	D8/373
D321,125 S *	10/1991	Gary	D8/373
D516,413 S *	3/2006	Anderson et al.	D8/373
D550,547 S *	9/2007	Sato	D8/381
D560,115 S *	1/2008	Peyridieu et al.	D8/373
D699,552 S *	2/2014	Wills	D8/380

* cited by examiner

Primary Examiner — Robert M Spear

Assistant Examiner — Eliza Bennett-Hattan

(74) *Attorney, Agent, or Firm* — Head, Johnson & Kachigian, P.C.

(57) **CLAIM**

The ornamental design for a bracket assembly for curtains and blinds, as shown and described.

DESCRIPTION

FIG. 1 is a front view of the bracket assembly for curtains and blinds;

FIG. 2 is a right side view thereof with the left side view being a mirror image thereof;

FIG. 3 is a rear view thereof;

FIG. 4 is a bottom view thereof;

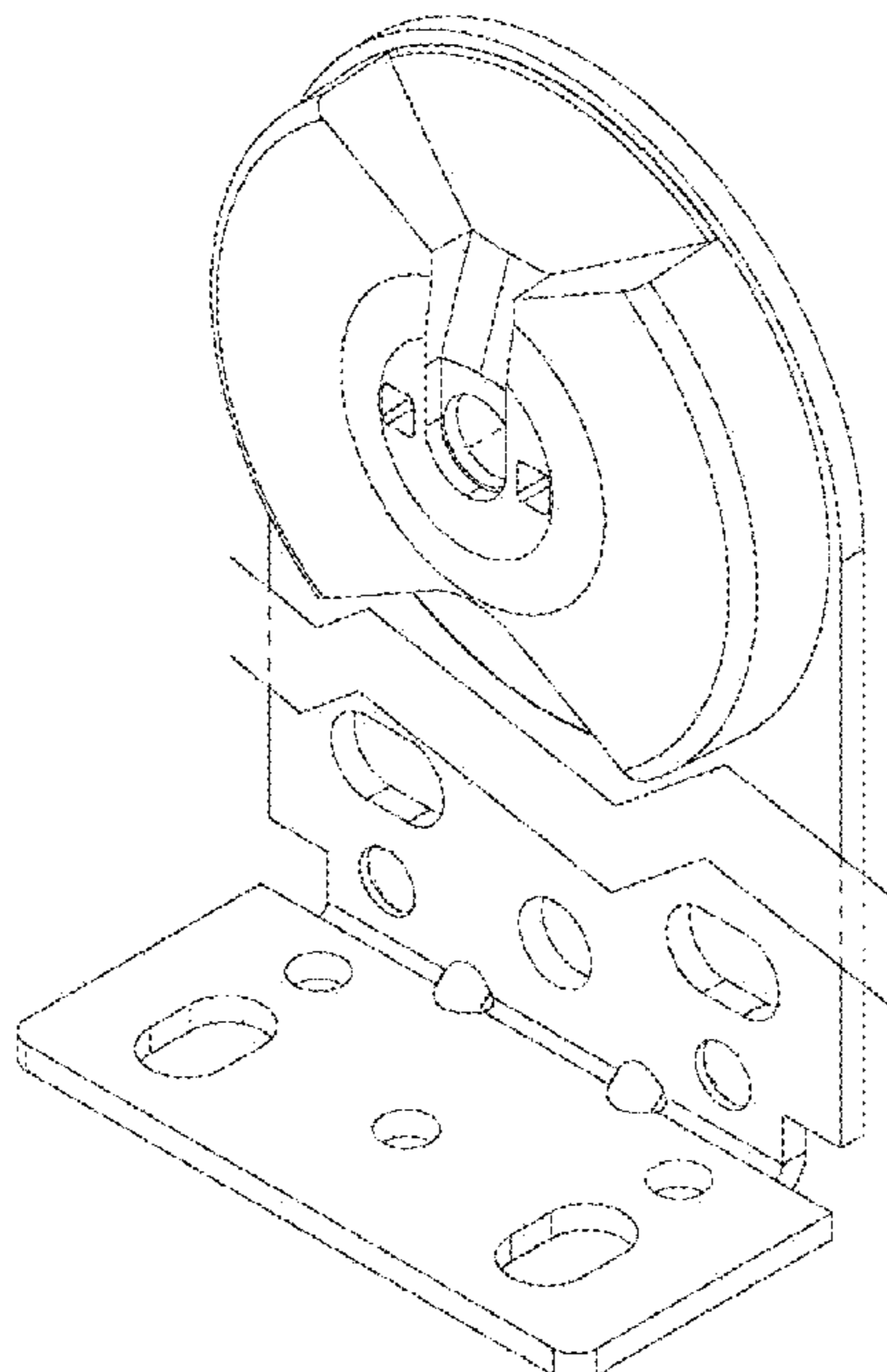
FIG. 5 is a top view thereof; and,

FIG. 6 is a perspective view thereof.

The bracket for curtains and blinds is shown with a symbolic break in its length.

The appearance of any portion of the article between the break lines forms no part of the claimed design.

1 Claim, 3 Drawing Sheets



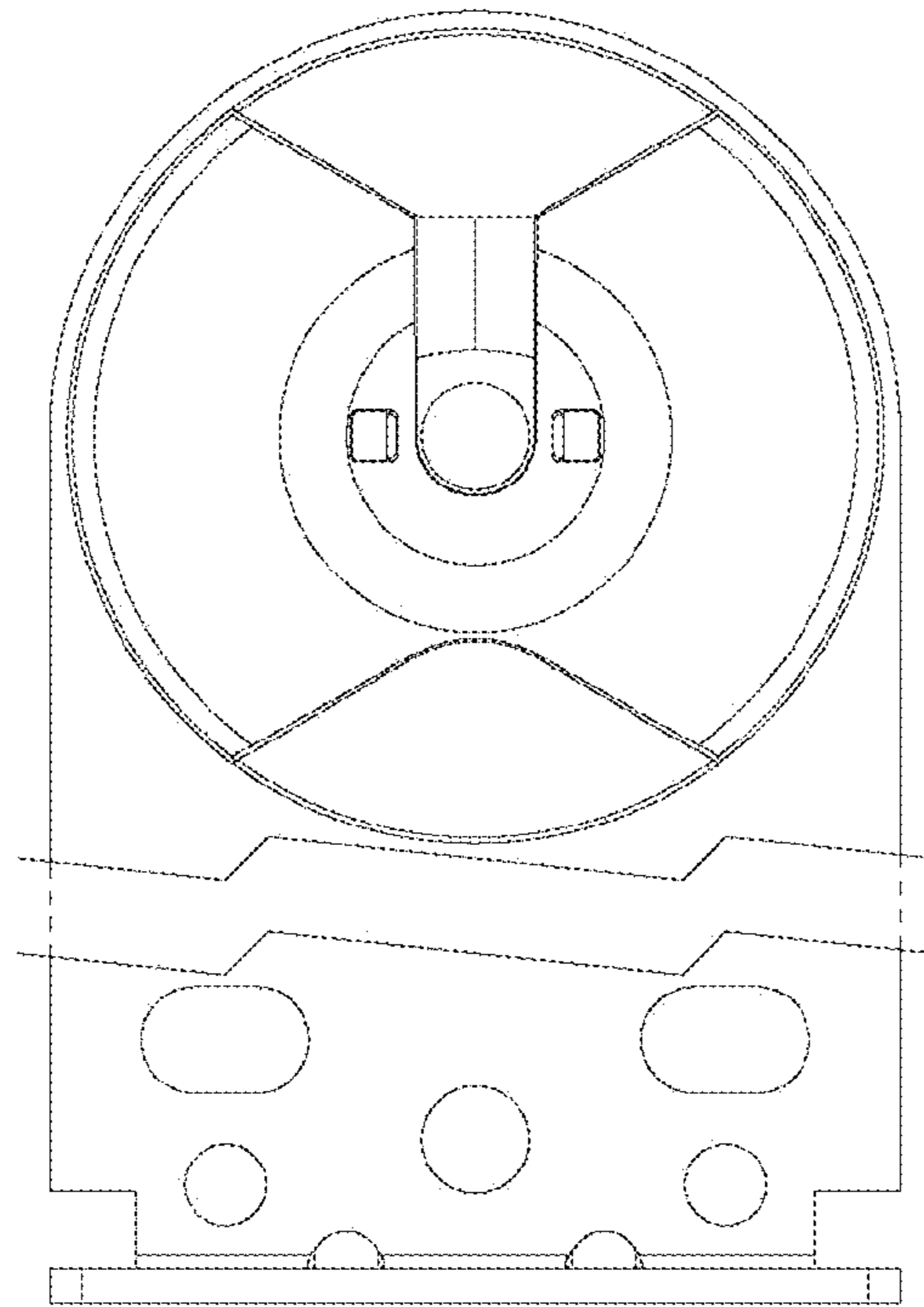


Figure 1

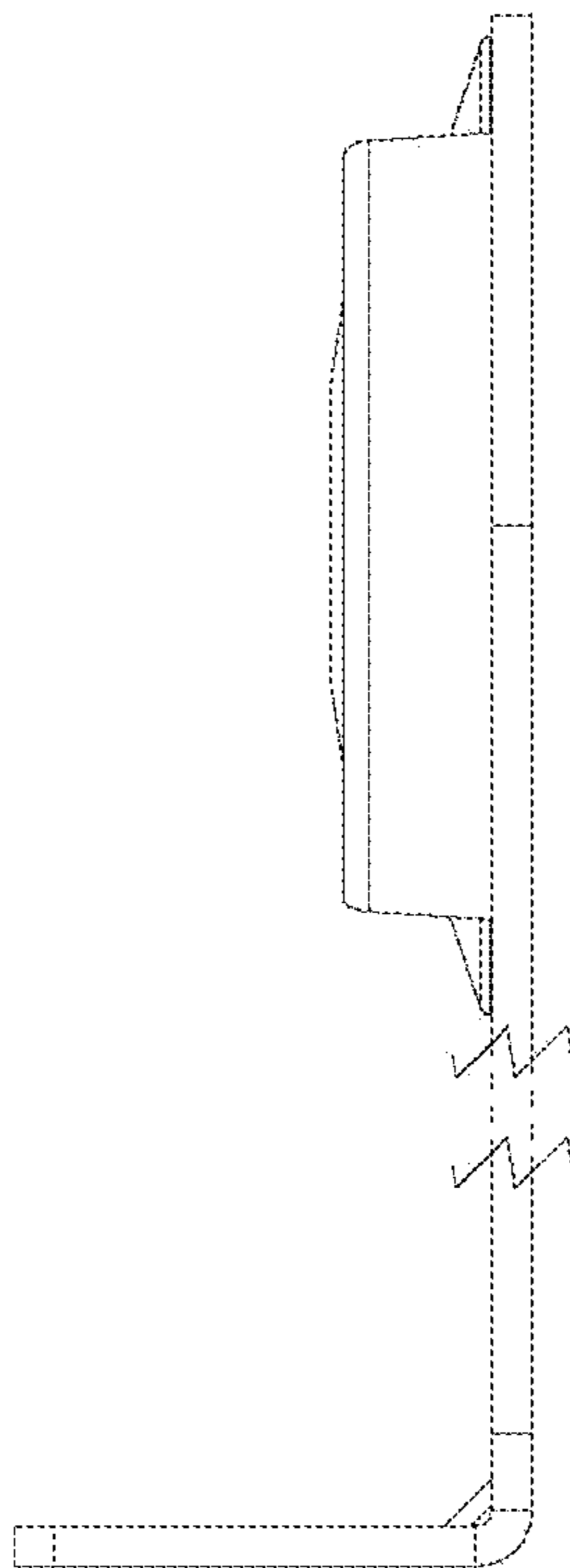


Figure 2

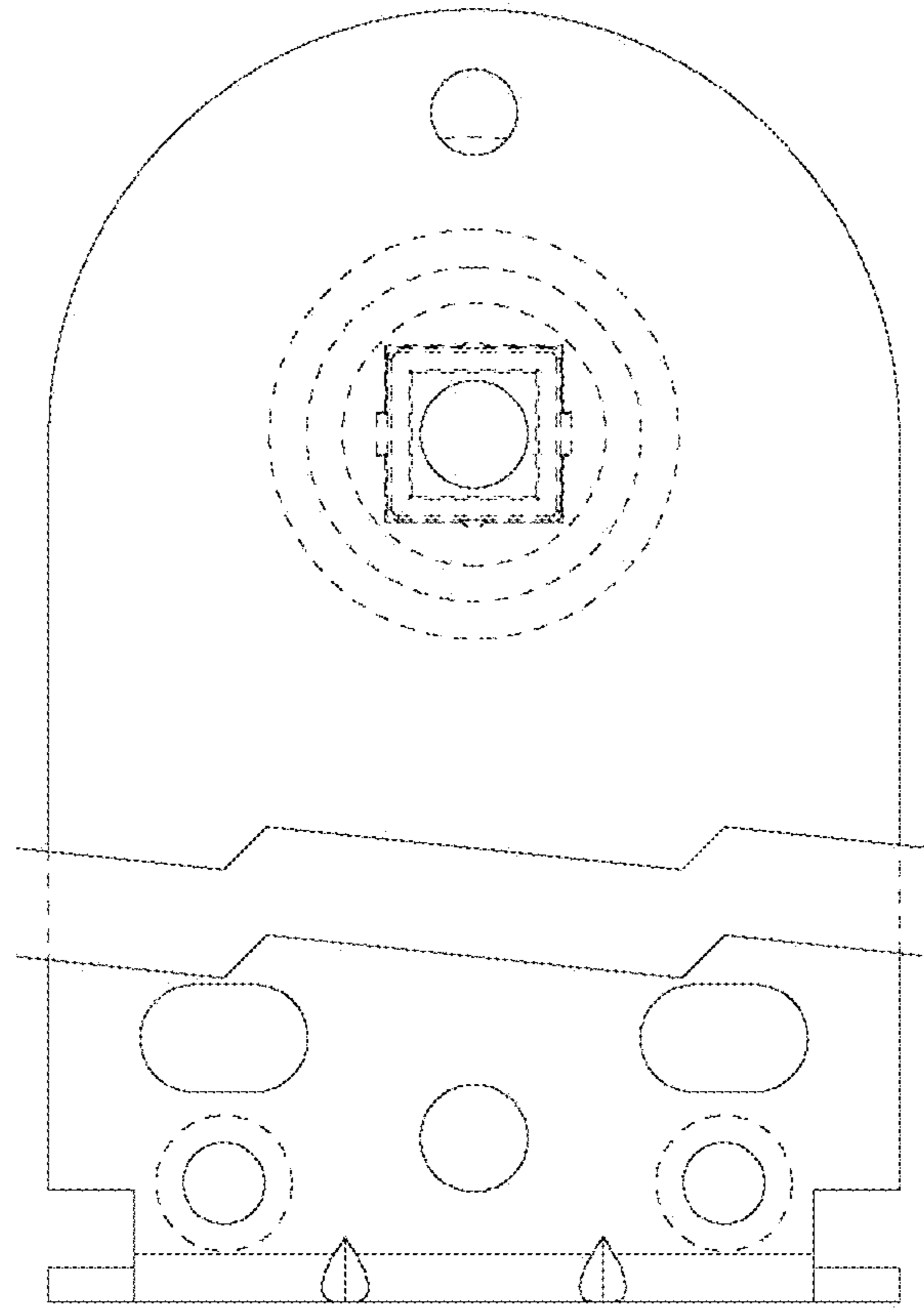


Figure 3

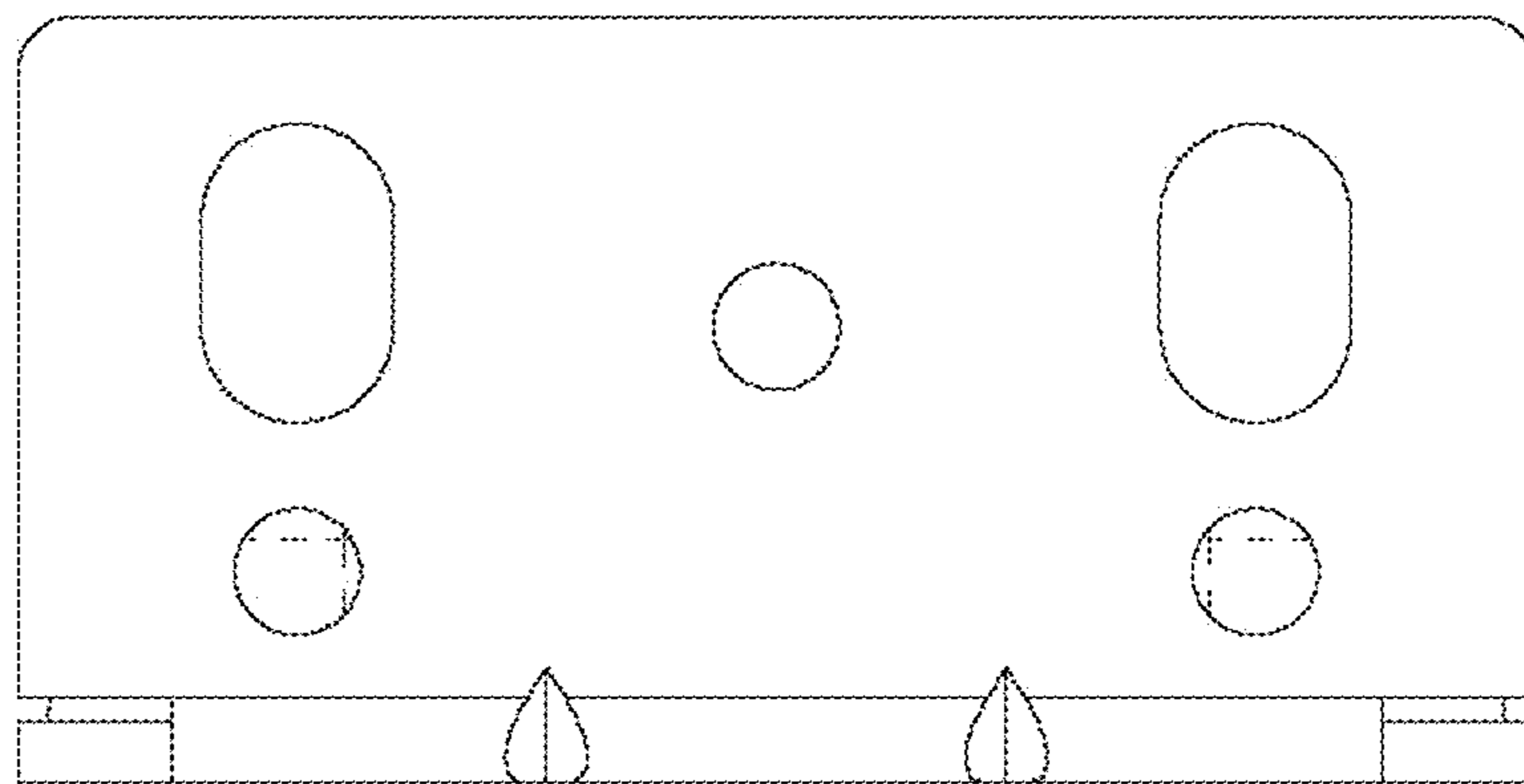


Figure 4

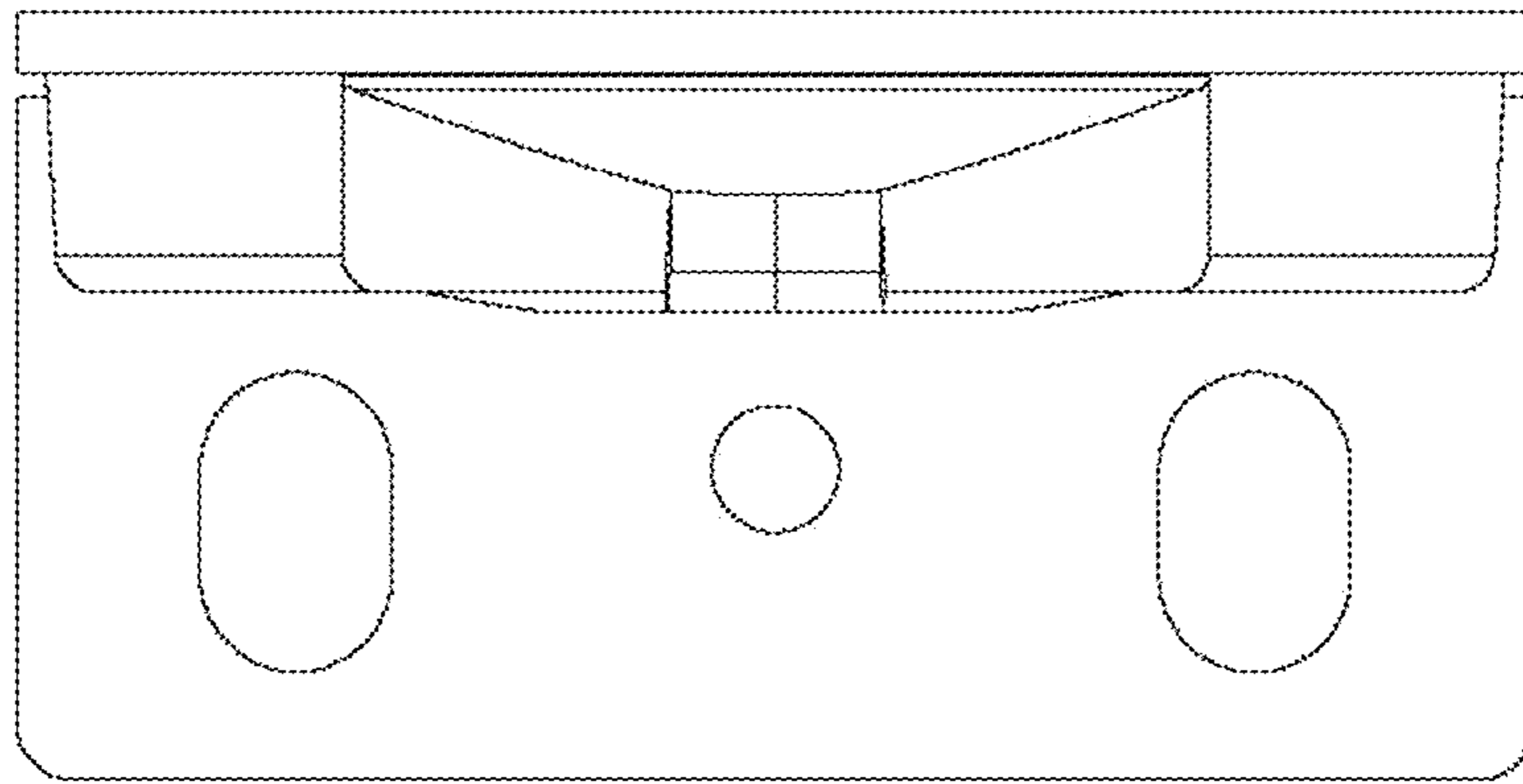


Figure 5

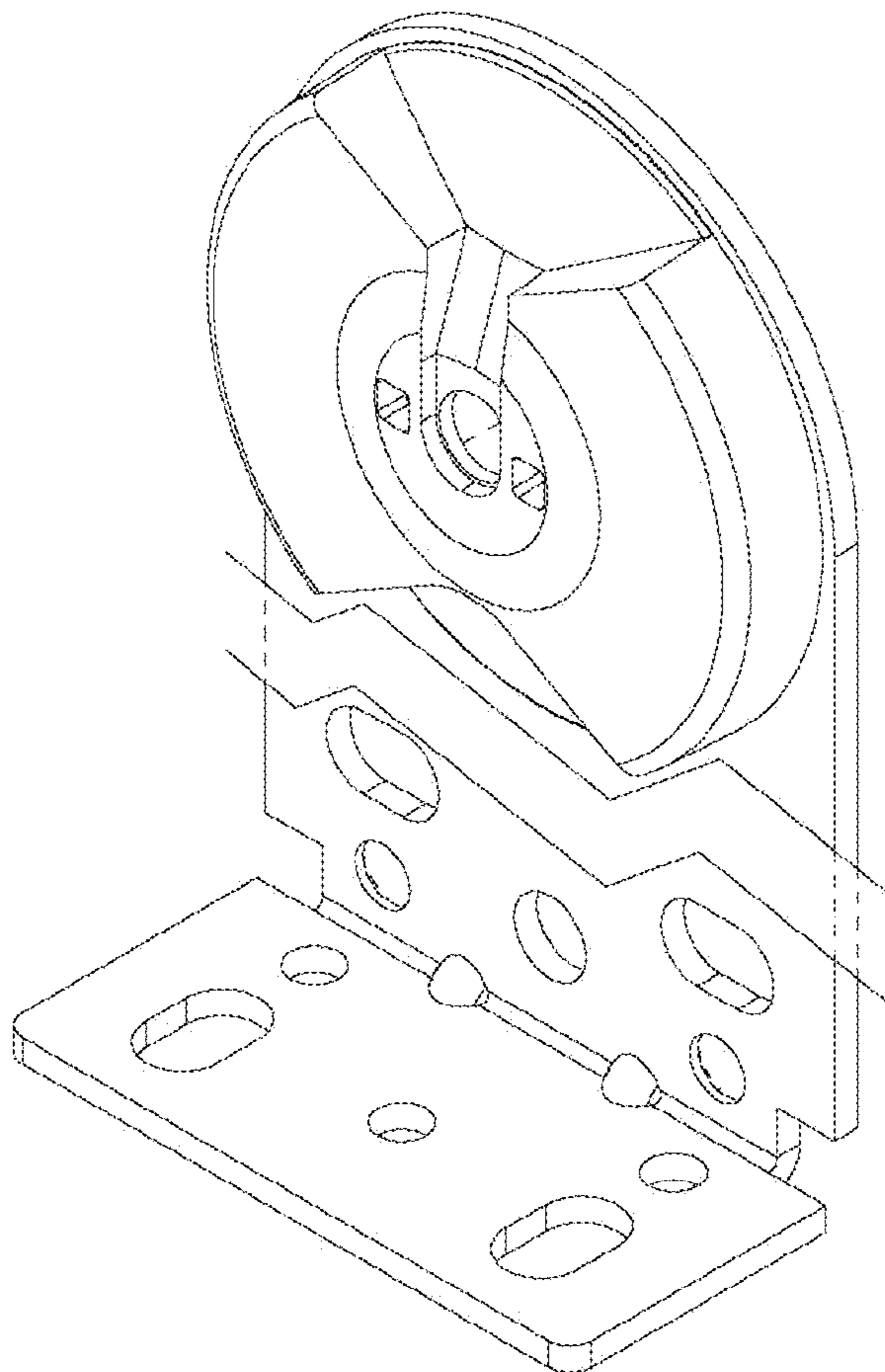


Figure 6