



US00D733533S

(12) **United States Design Patent**  
**Hodges**

(10) **Patent No.:** **US D733,533 S**  
(45) **Date of Patent:** **\*\* Jul. 7, 2015**

(54) **REMOVABLE BOAT DOCK CLEAT**  
(71) Applicant: **Edward A. Hodges**, Charlotte, NC (US)  
(72) Inventor: **Edward A. Hodges**, Charlotte, NC (US)  
(73) Assignee: **Edward A. Hodges**, Charlotte, NC (US)  
(\*\*) Term: **14 Years**

5,941,191 A 8/1999 Dysarz  
5,967,075 A 10/1999 Johansen  
6,647,911 B1 11/2003 Solterbeck  
6,793,189 B1 \* 9/2004 McKay ..... 248/499  
6,805,247 B2 \* 10/2004 Saez ..... 211/17  
6,840,186 B1 1/2005 Steele  
D506,126 S \* 6/2005 Amy ..... D8/382  
7,124,699 B1 10/2006 Clark et al.  
D625,973 S \* 10/2010 Hunton et al. .... D8/40  
D679,693 S \* 4/2013 Rashid ..... D14/250

(21) Appl. No.: **29/447,512**  
(22) Filed: **Mar. 4, 2013**  
(51) **LOC (10) Cl.** ..... **08-05**  
(52) **U.S. Cl.**  
USPC ..... **D8/356**  
(58) **Field of Classification Search**  
USPC ..... D8/356, 354, 349, 323; 220/575;  
206/521.15; 24/302, 16 R, 306, 17 R;  
439/501; 381/374; D14/217, 205  
See application file for complete search history.

\* cited by examiner

*Primary Examiner* — Cynthia Underwood  
(74) *Attorney, Agent, or Firm* — Nelson Mullins Riley & Scarborough LLP

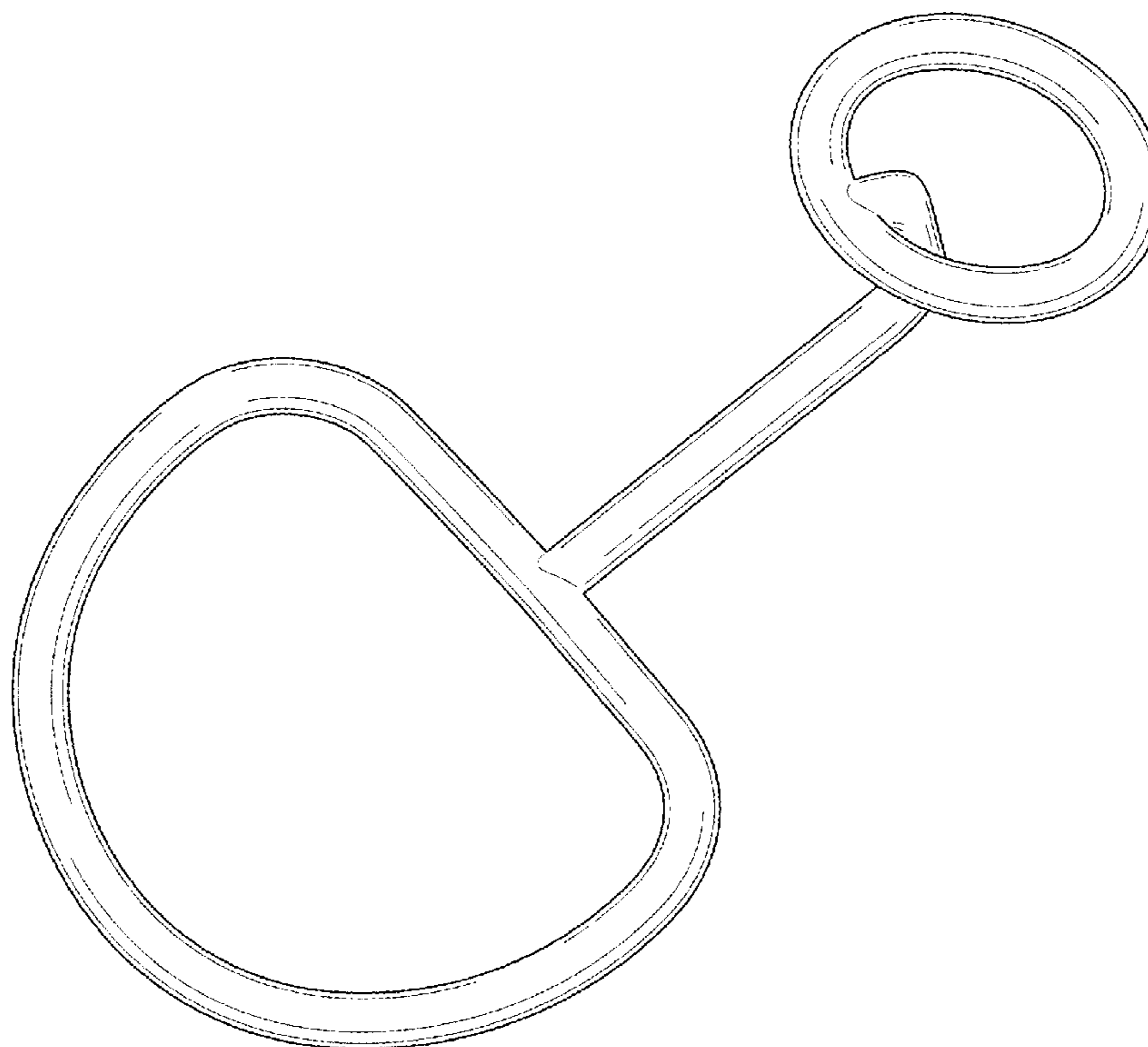
(57) **CLAIM**  
The ornamental design for a removable boat dock cleat, as shown.

(56) **References Cited**  
U.S. PATENT DOCUMENTS  
3,703,875 A 11/1972 Gunvalson  
4,297,963 A 11/1981 Beacom  
4,344,378 A 8/1982 Martin  
4,899,680 A 2/1990 Russell, Jr.  
D321,470 S 11/1991 Gerrard  
5,542,367 A 8/1996 DuBois, III et al.  
5,607,132 A \* 3/1997 Baldwin ..... 248/220.42  
5,625,974 A 5/1997 Demaio

**DESCRIPTION**

FIG. 1 is a front perspective view of a removable boat dock cleat, showing a first embodiment of my new design;  
FIG. 2 is a rear perspective view thereof;  
FIG. 3 is a left side elevational view thereof;  
FIG. 4 is a right side elevational view thereof;  
FIG. 5 is a front end elevational view thereof;  
FIG. 6 is a rear end elevational view thereof; and,  
FIG. 7 is a top plan view thereof.

**1 Claim, 7 Drawing Sheets**



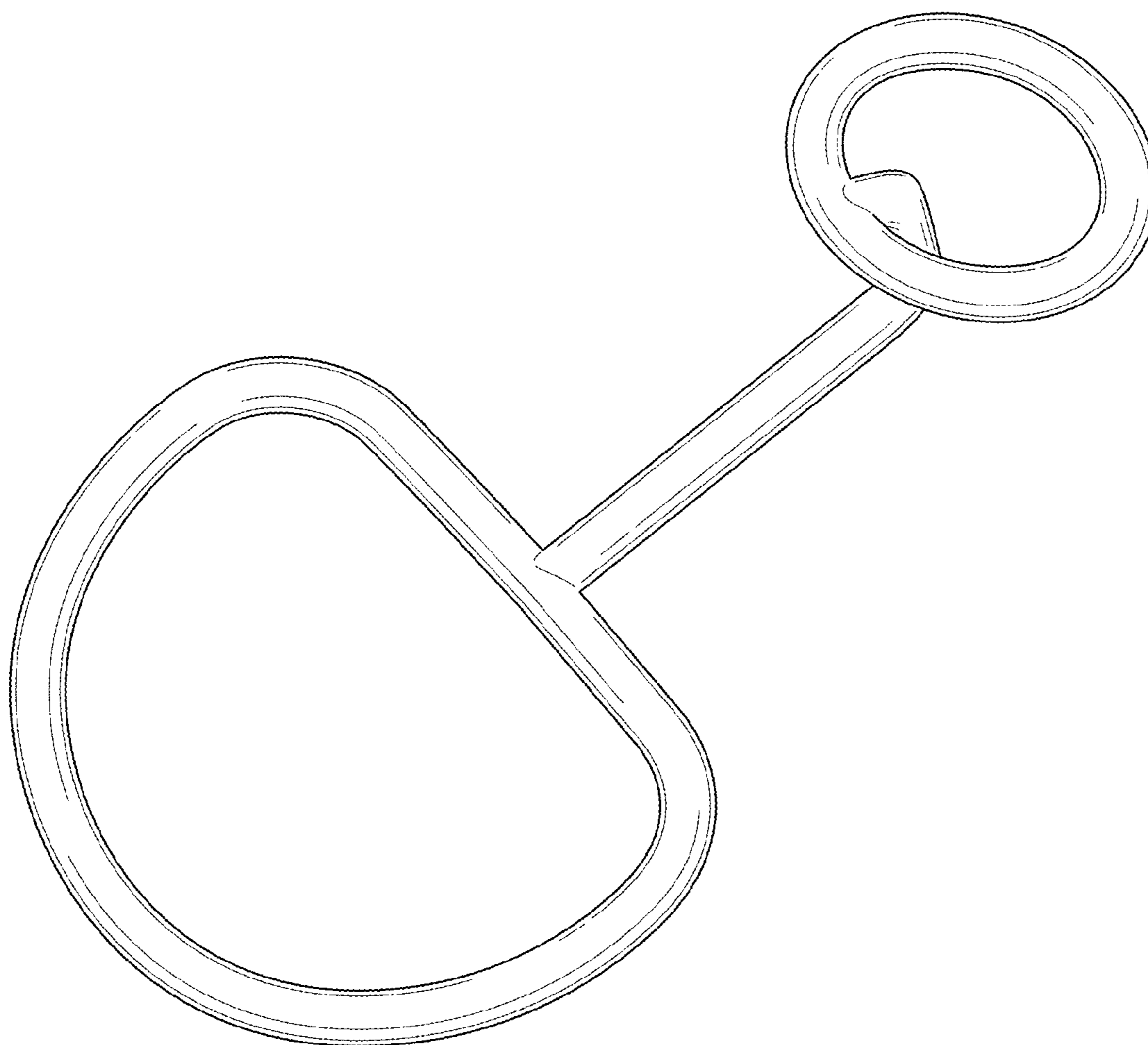


FIG. 1

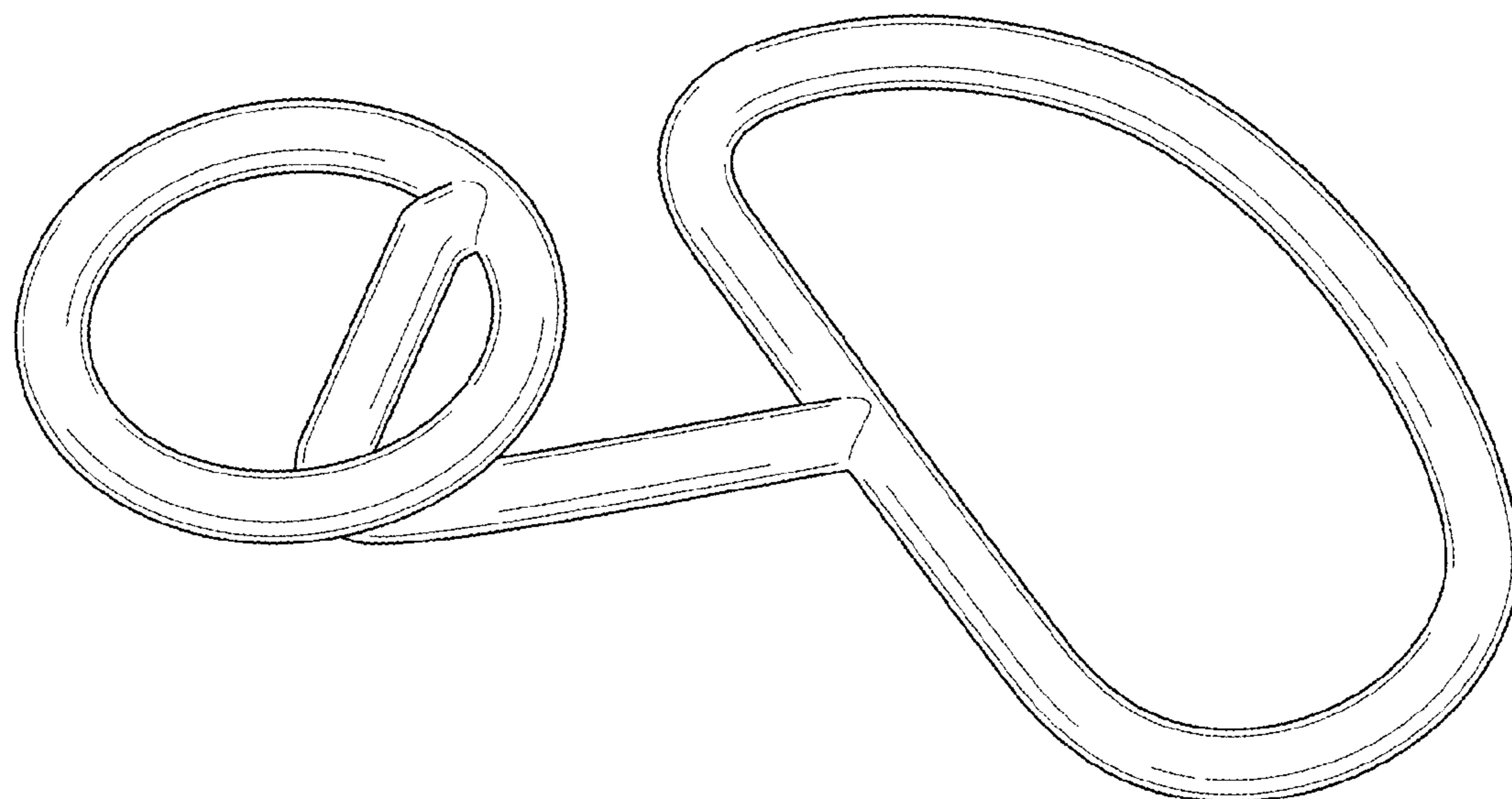


FIG. 2

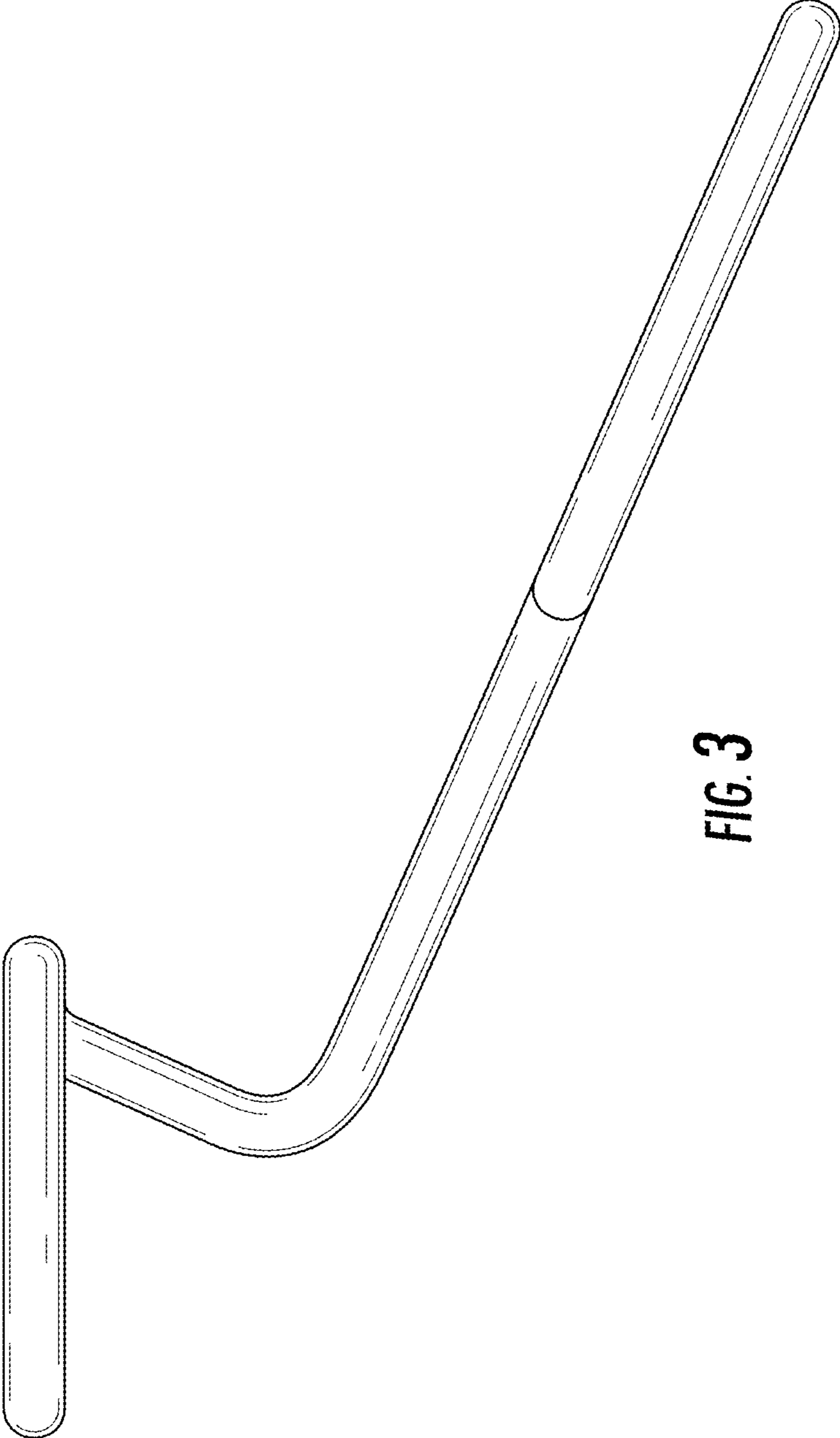
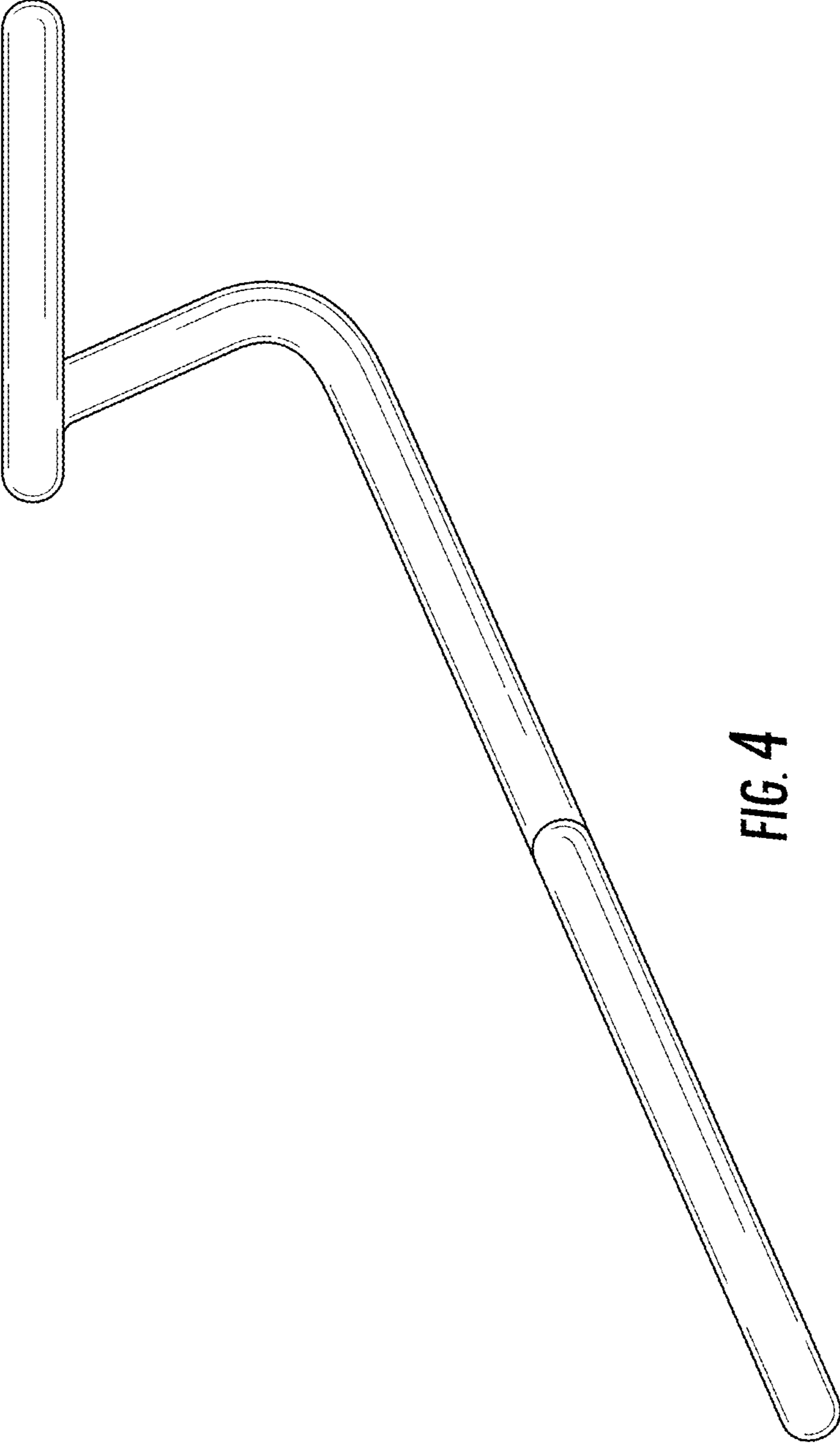
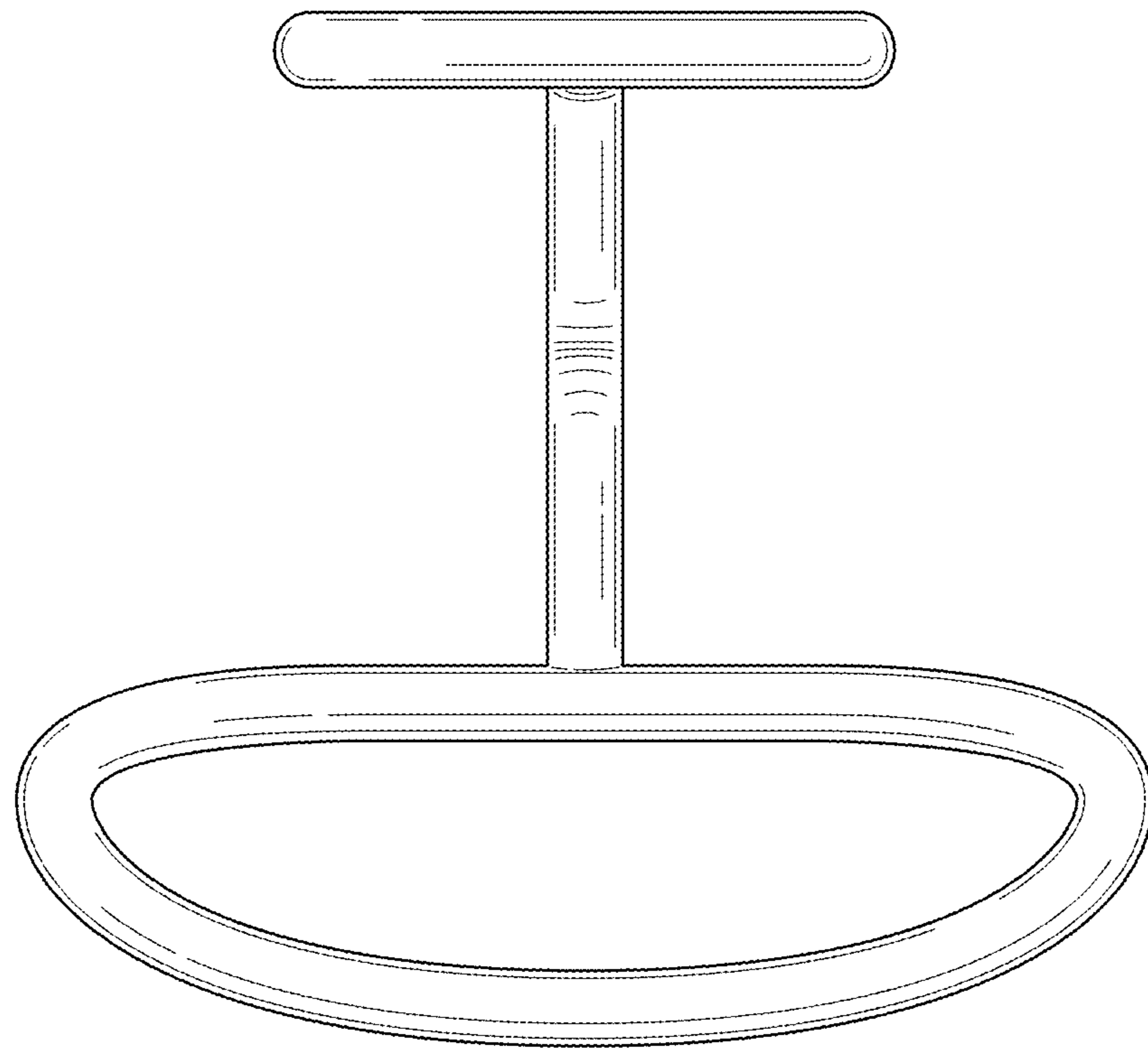
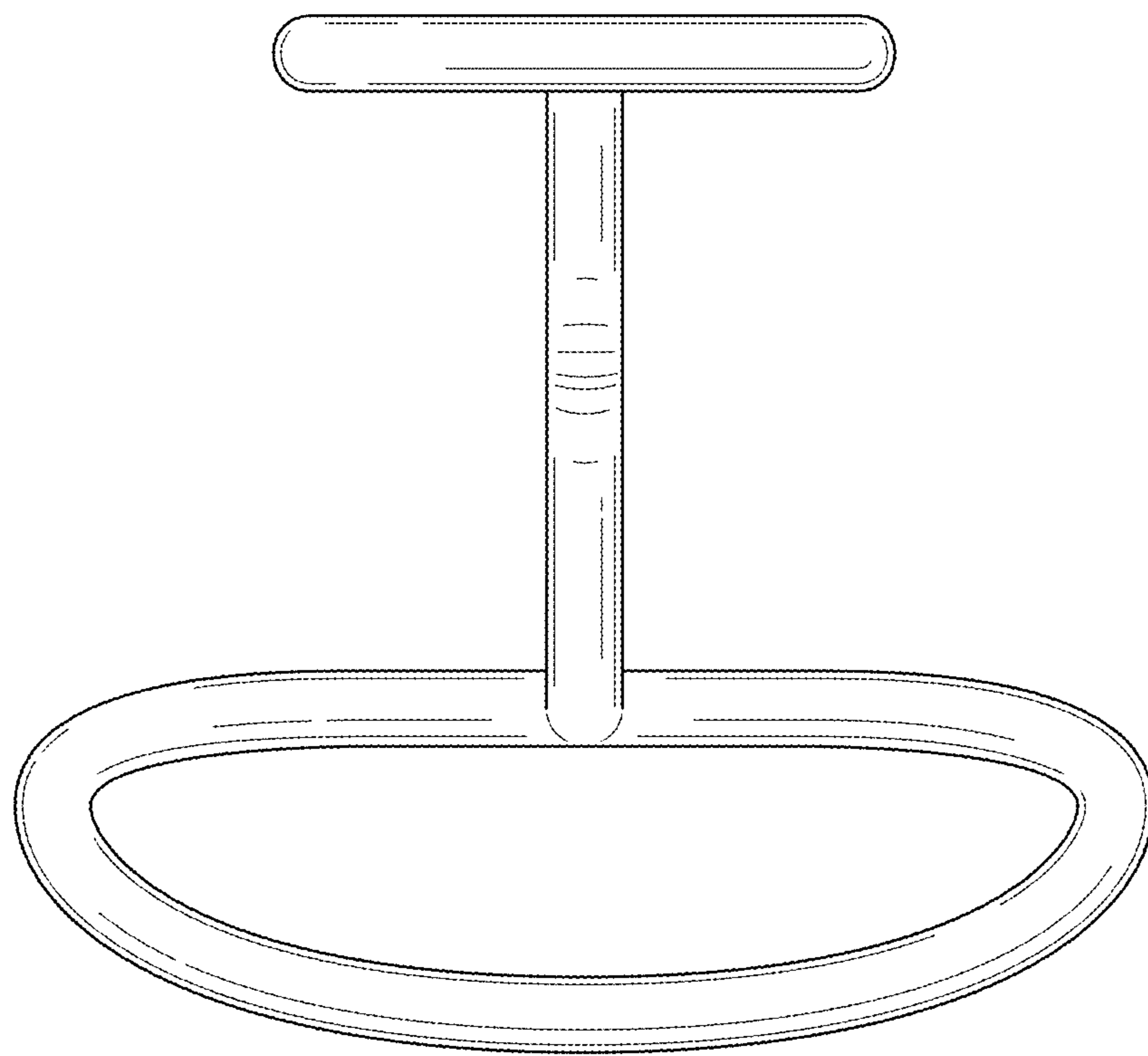


FIG. 3



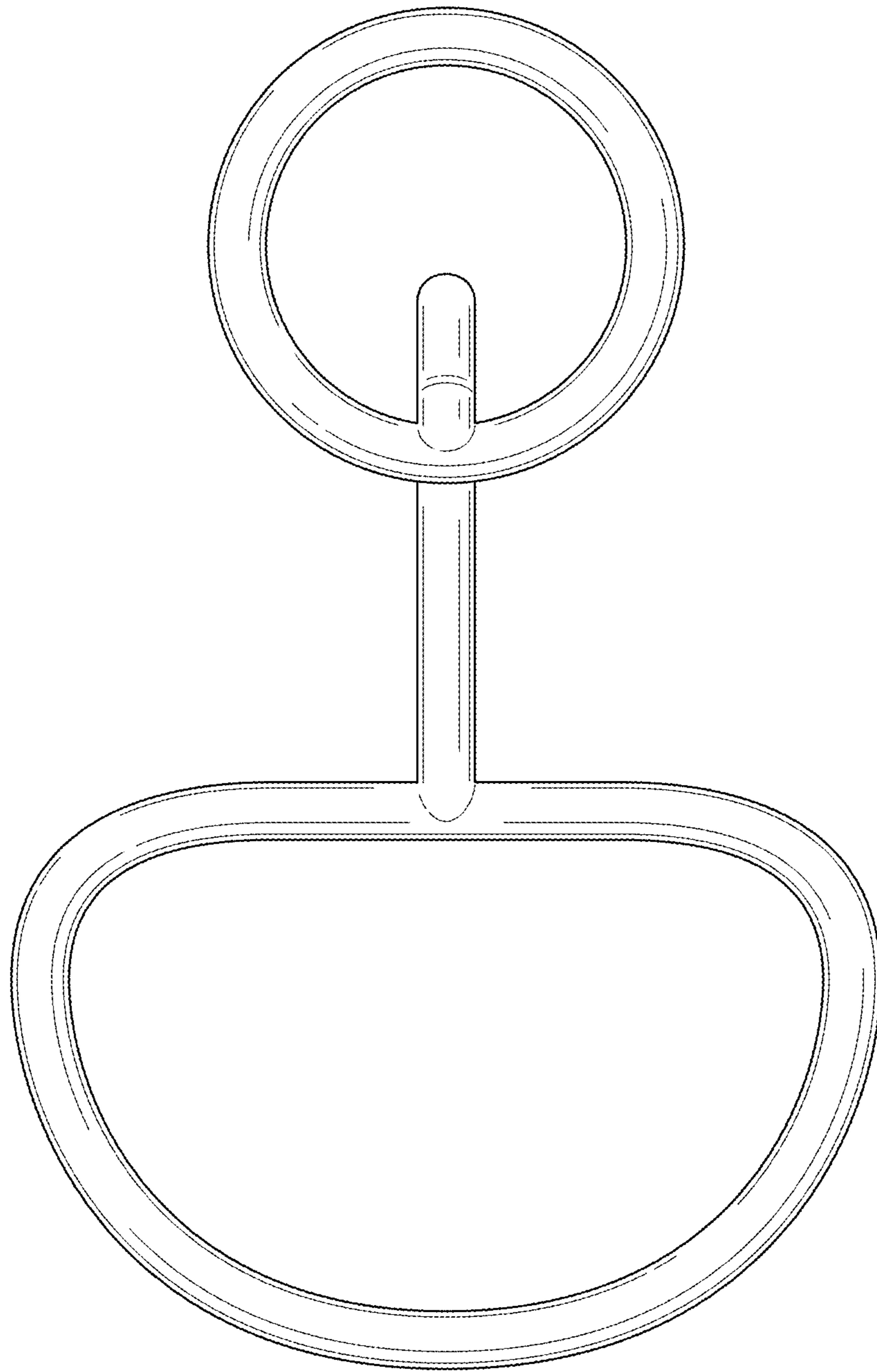


**FIG. 5**



**FIG. 6**





**FIG. 7**