

US00D733532S

(12) **United States Design Patent**
Hooten

(10) **Patent No.:** **US D733,532 S**
(45) **Date of Patent:** **** Jul. 7, 2015**

(54) **SLOT AND TAB CLOSURE**

D721,575 S * 1/2015 Paboojian D9/423

* cited by examiner

(71) Applicant: **Patricia See Hooten**, Vestavia Hills, AL
(US)

Primary Examiner — Robert M Spear

Assistant Examiner — Eliza Bennett-Hattan

(72) Inventor: **Patricia See Hooten**, Vestavia Hills, AL
(US)

(74) *Attorney, Agent, or Firm* — Gerald M. Walsh; Leo Law Firm, LLC

(**) Term: **14 Years**

(57) **CLAIM**

I claim the ornamental design for a slot and tab closure, as shown and described.

(21) Appl. No.: **29/447,397**

DESCRIPTION

(22) Filed: **Mar. 3, 2013**

(51) **LOC (10) Cl.** **08-05**

(52) **U.S. Cl.**

USPC **D8/356**

(58) **Field of Classification Search**

USPC D8/382, 356, 358, 359, 19, 16, 45, 396,
D8/72, 73, 18, 366; 242/395, 405.3, 405.2,
242/118.7, 542.4, 160.4, 366, 400, 370,
242/400.1; D3/24, 207, 212; D15/16;
D10/61, 62; 33/414, 413, 382;
248/300, 313, 61, 231.81; 16/257;
81/3.27, 3.55; D6/325, 580; 254/397;
160/370; 114/101, 200; D12/162, 223;
D9/501, 503, 504, 416, 423; D20/43;
D19/3; D5/11, 47

See application file for complete search history.

FIG. 1 is a front, top, perspective view of a female tab of the slot and tab closure showing my new design;
FIG. 2 is a front, top, perspective view of a male tab of the slot and tab closure showing my new design;
FIG. 3 is a top plan view of the female tab, the bottom view being identical to the top view;
FIG. 4 is a top plan view of the male tab, the bottom view being identical to the top view;
FIG. 5 is a front elevation view of both the female tab and the male tab;
FIG. 6 is a rear elevation view of both the female tab and the male tab;
FIG. 7 is a left side elevation view of both the female tab and the male tab;
FIG. 8 is a right side elevation view of both the female tab and the male tab;
FIG. 9 is a bottom perspective view of the male tab inserted into the female tab, the view being from the front aspect of the female tab and from the rear aspect of the male tab; and,
FIG. 10 is a top perspective view of the male tab inserted into the female tab, the view being from the front aspect of the female tab and from the rear aspect of the male tab.

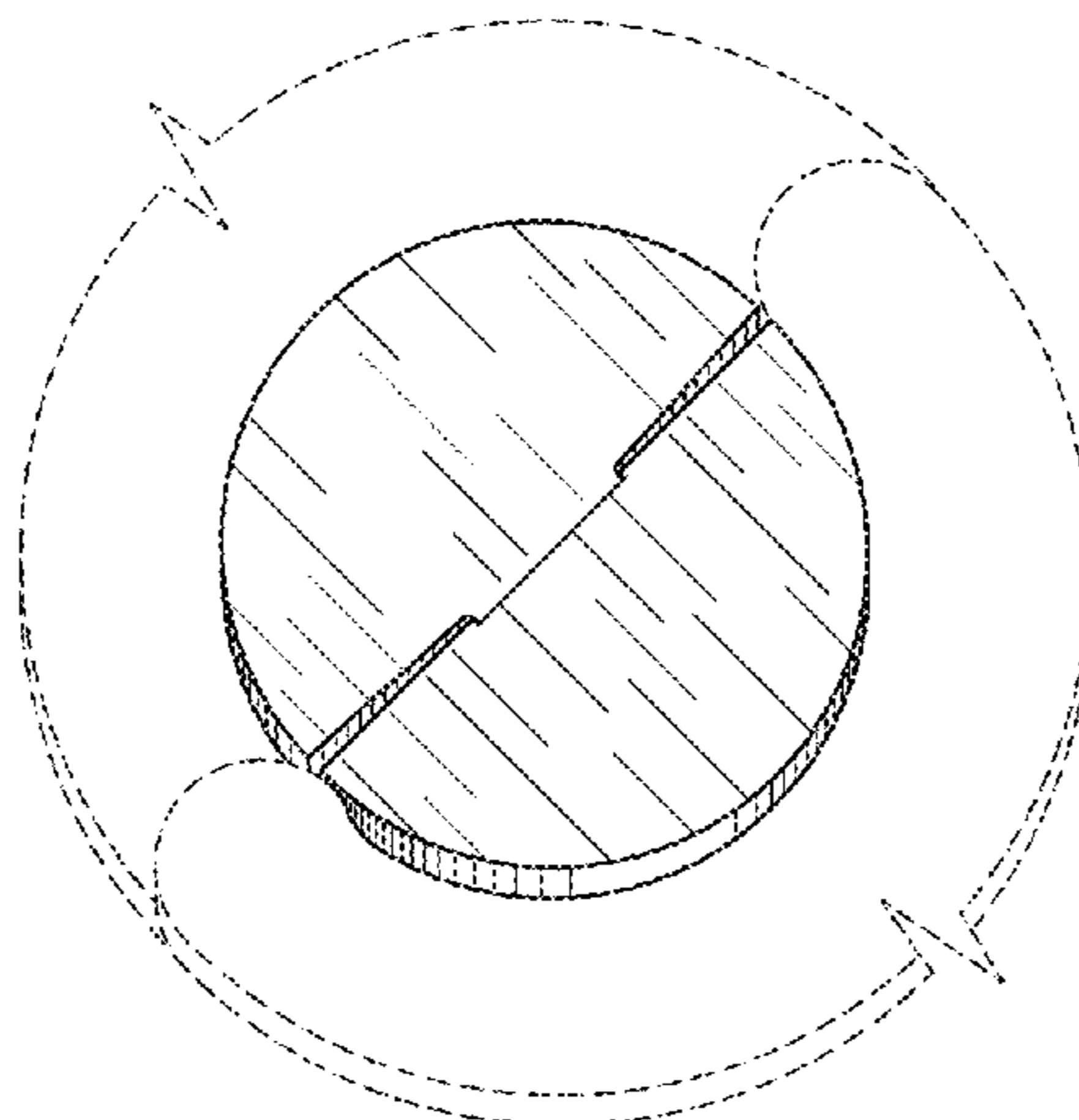
The broken lines depict environmental subject matter indicating indefinite length, and do not constitute a part of the claimed design.

(56) **References Cited**

U.S. PATENT DOCUMENTS

D180,633 S	*	7/1957	Wilke	D8/358
D185,882 S	*	8/1959	Bamburg	D9/423
D227,975 S	*	7/1973	Diamond	D8/358
D229,485 S	*	12/1973	Peterson	D9/416
D632,161 S	*	2/2011	Duarte	D8/358
D655,751 S		3/2012	Sato et al.		
D670,597 S		11/2012	Krizan		
D695,605 S	*	12/2013	Johnson	D9/423

1 Claim, 2 Drawing Sheets



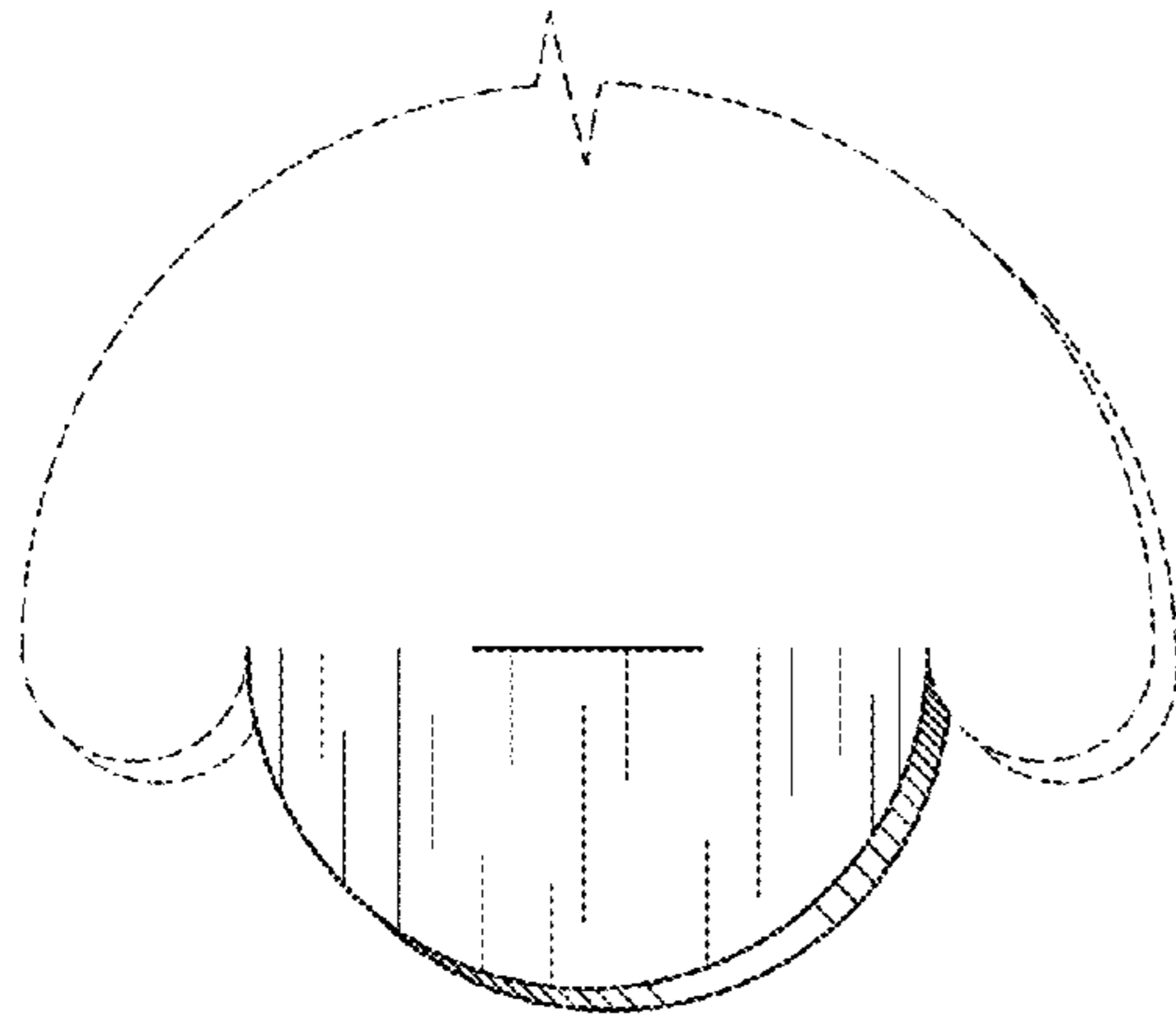


Fig. 1

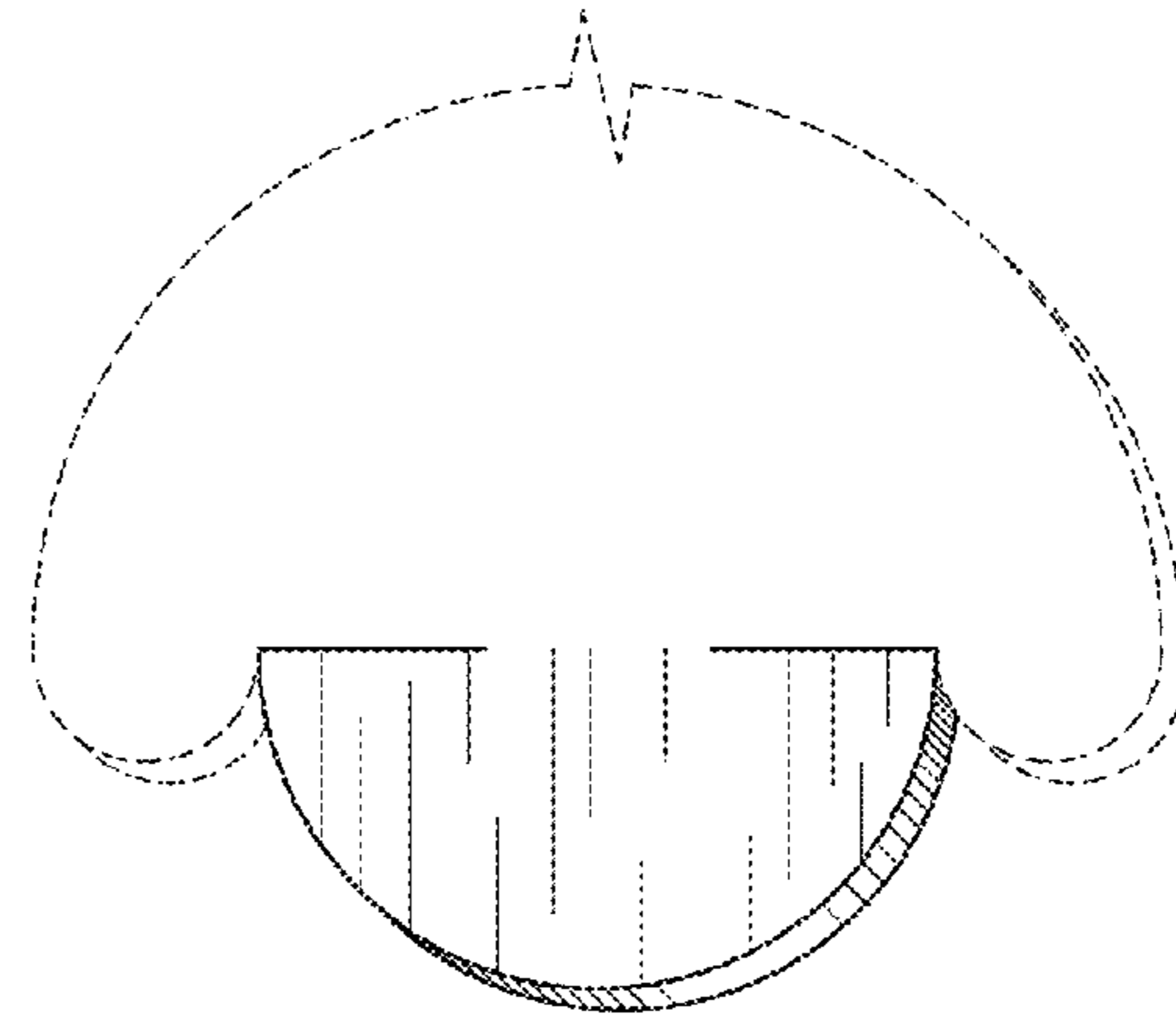


Fig. 2

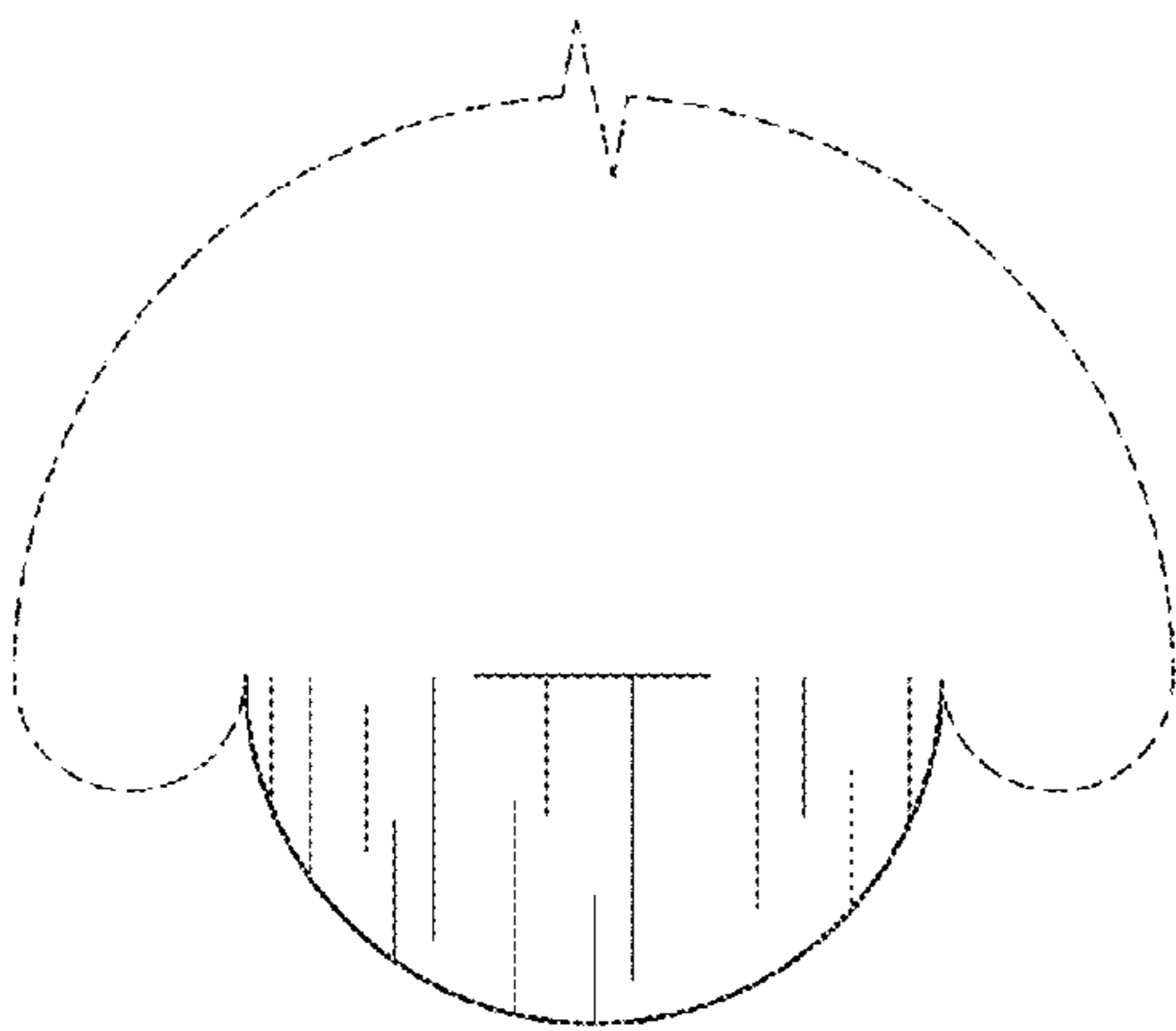


Fig. 3

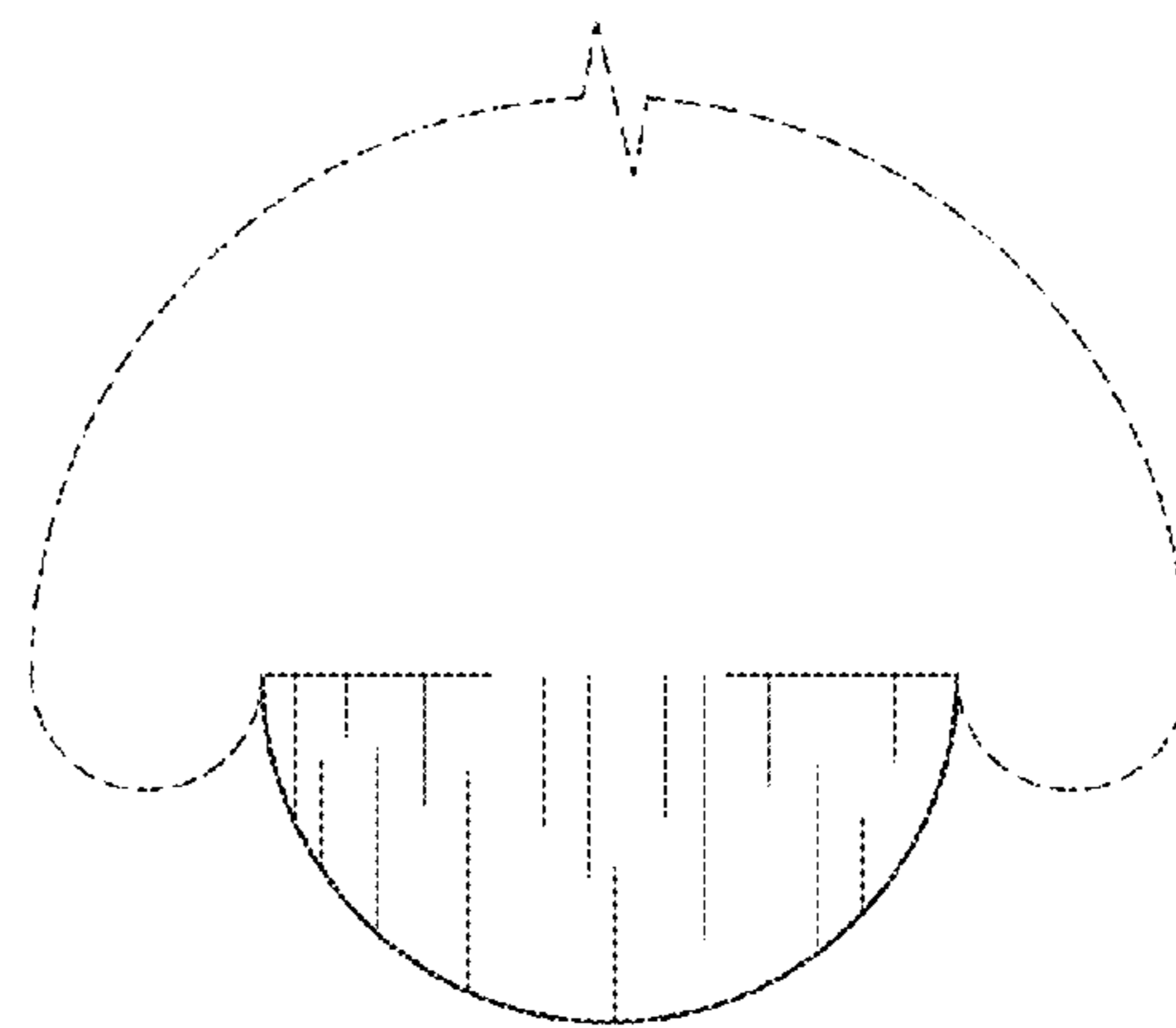


Fig. 4

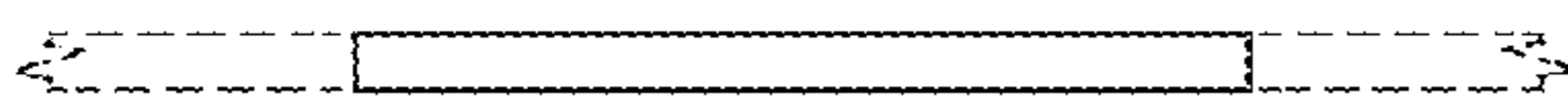


Fig. 5

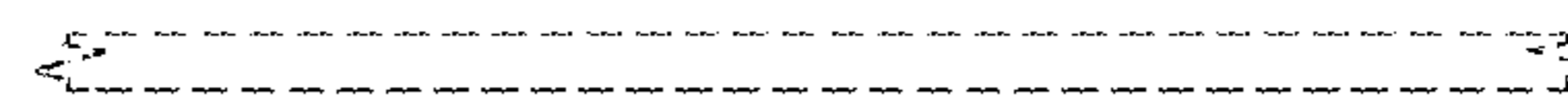


Fig. 6

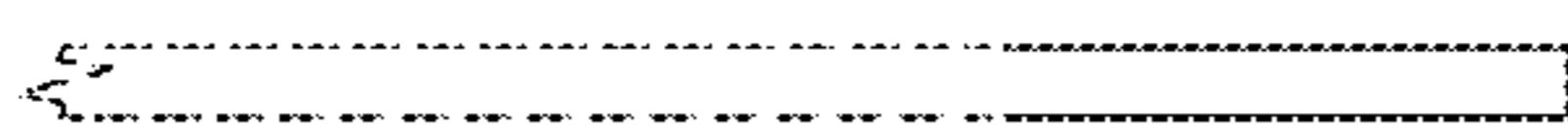


Fig. 7

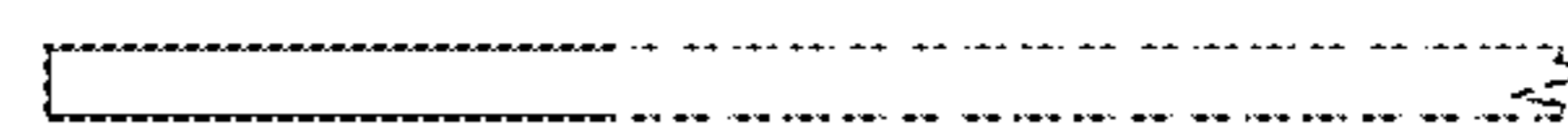


Fig. 8

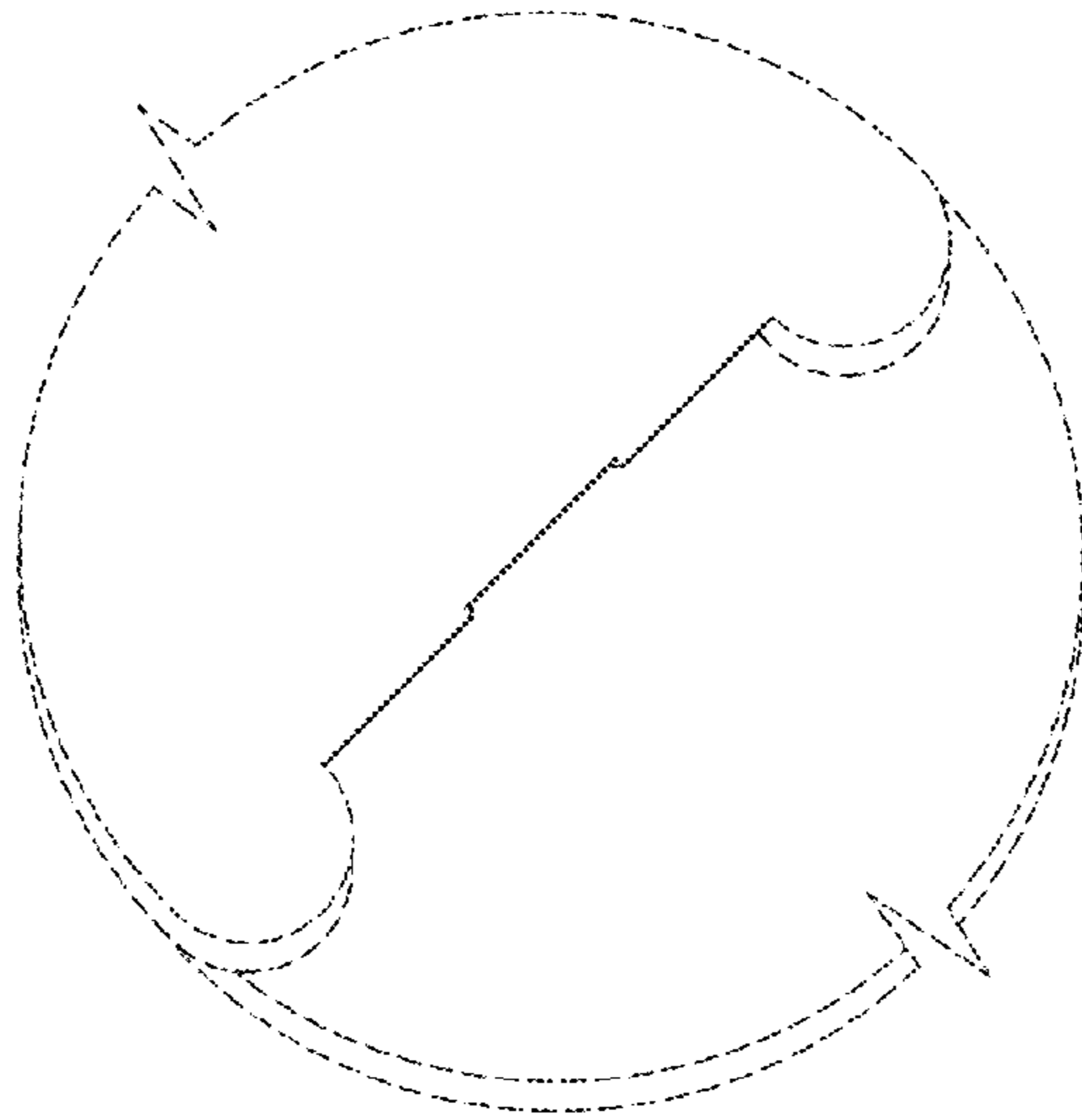


Fig. 9

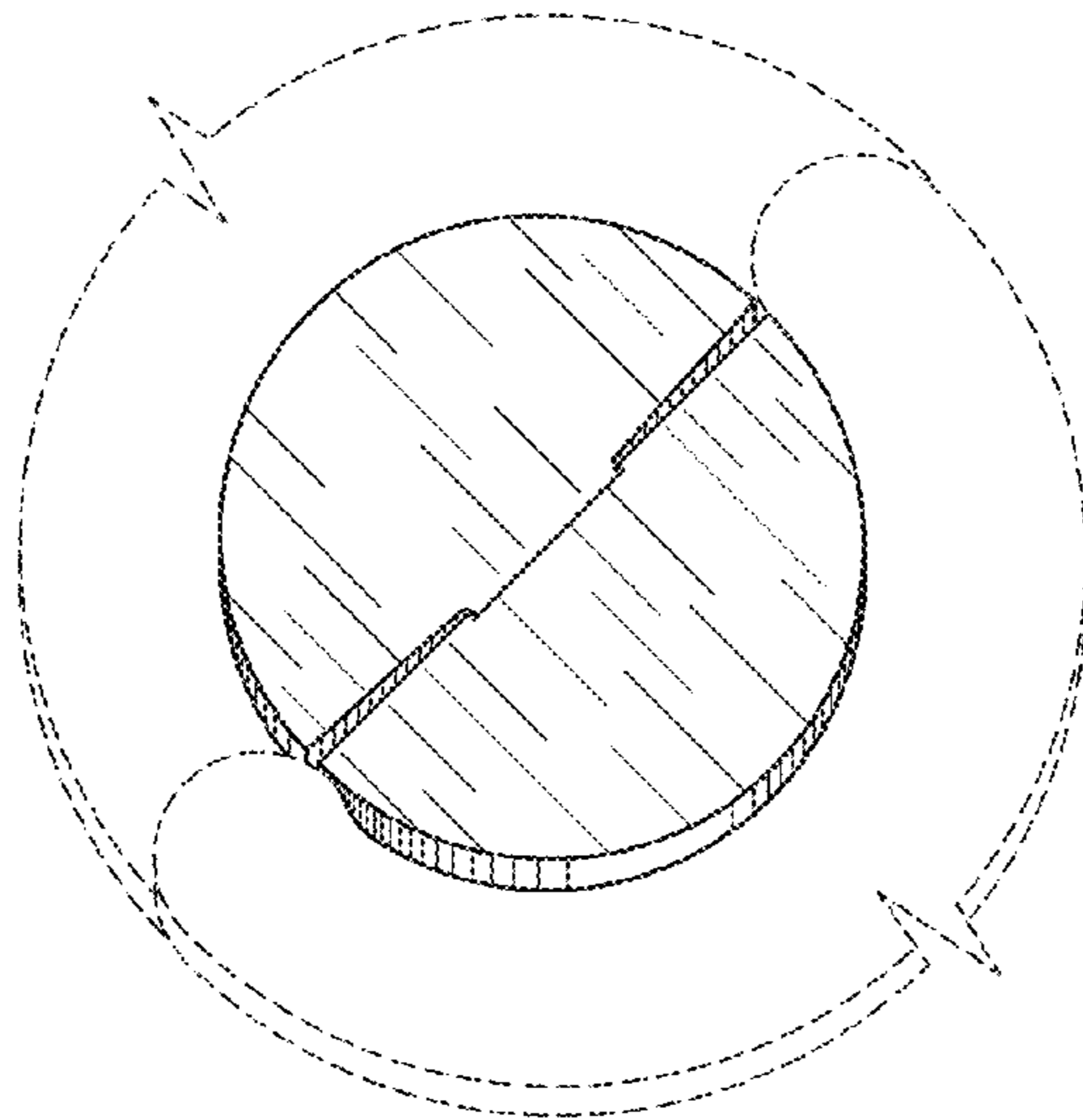


Fig. 10