



US00D733531S

(12) **United States Design Patent**
Tonthat et al.

(10) **Patent No.:** **US D733,531 S**
(45) **Date of Patent:** **** Jul. 7, 2015**

(54) **BRACKET**

(71) Applicant: **Innovation First, Inc.**, Greenville, TX (US)

(72) Inventors: **Hoainam James Tonthat**, Greenville, TX (US); **Robert H. Mimplitch, III**, Rowlett, TX (US); **Juan Carlos Valles**, Forney, TX (US); **James Whitney Wilson**, Nevada, TX (US)

(**) Term: **14 Years**

(21) Appl. No.: **29/468,076**

(22) Filed: **Sep. 26, 2013**

(51) **LOC (10) Cl.** **08-05**

(52) **U.S. Cl.**
USPC **D8/354**

(58) **Field of Classification Search**
USPC D8/349, 354–356, 363–367, 370–373, D8/380, 382, 384, 381; D25/199; 248/215, 248/465.1, 112, 153, 175, 218.1, 218.2, 248/302, 303
CPC A47B 96/06; A47B 96/062; A47B 96/063; A47B 96/066; A47B 96/067; A47B 96/068
See application file for complete search history.

(56) **References Cited**

U.S. PATENT DOCUMENTS

3,133,768	A *	5/1964	Klakovich	384/17
4,919,557	A *	4/1990	Podosek	402/41
5,833,337	A *	11/1998	Kofstad	312/334.5
D430,479	S *	9/2000	McDonald	D8/354
6,655,534	B2 *	12/2003	Williams et al.	211/26
6,962,397	B2 *	11/2005	Dobler et al.	312/333
7,012,808	B2 *	3/2006	Mayer	361/725
7,036,787	B1 *	5/2006	Lin	248/676
7,281,694	B2 *	10/2007	Allen et al.	248/244

7,284,672	B2 *	10/2007	Tsai	211/208
7,494,101	B2 *	2/2009	Chen	248/298.1
7,740,329	B2 *	6/2010	Hsiung et al.	312/334.4
7,780,253	B1 *	8/2010	Lu	312/334.4
D638,687	S *	5/2011	Minkley et al.	D8/349
7,950,753	B2 *	5/2011	Liang	312/334.4
8,033,621	B2 *	10/2011	Liang	312/334.4
8,079,654	B2 *	12/2011	Yu et al.	312/334.4
8,083,298	B2 *	12/2011	Henderson et al.	312/223.1
8,292,382	B2 *	10/2012	Cheng	312/334.4
8,353,494	B2 *	1/2013	Peng et al.	248/298.1
8,356,718	B2 *	1/2013	Yang	211/26
D676,264	S *	2/2013	Lee	D6/717

(Continued)

Primary Examiner — Elizabeth Albert

(74) *Attorney, Agent, or Firm* — Adam K. Sacharoff; Much Shelist

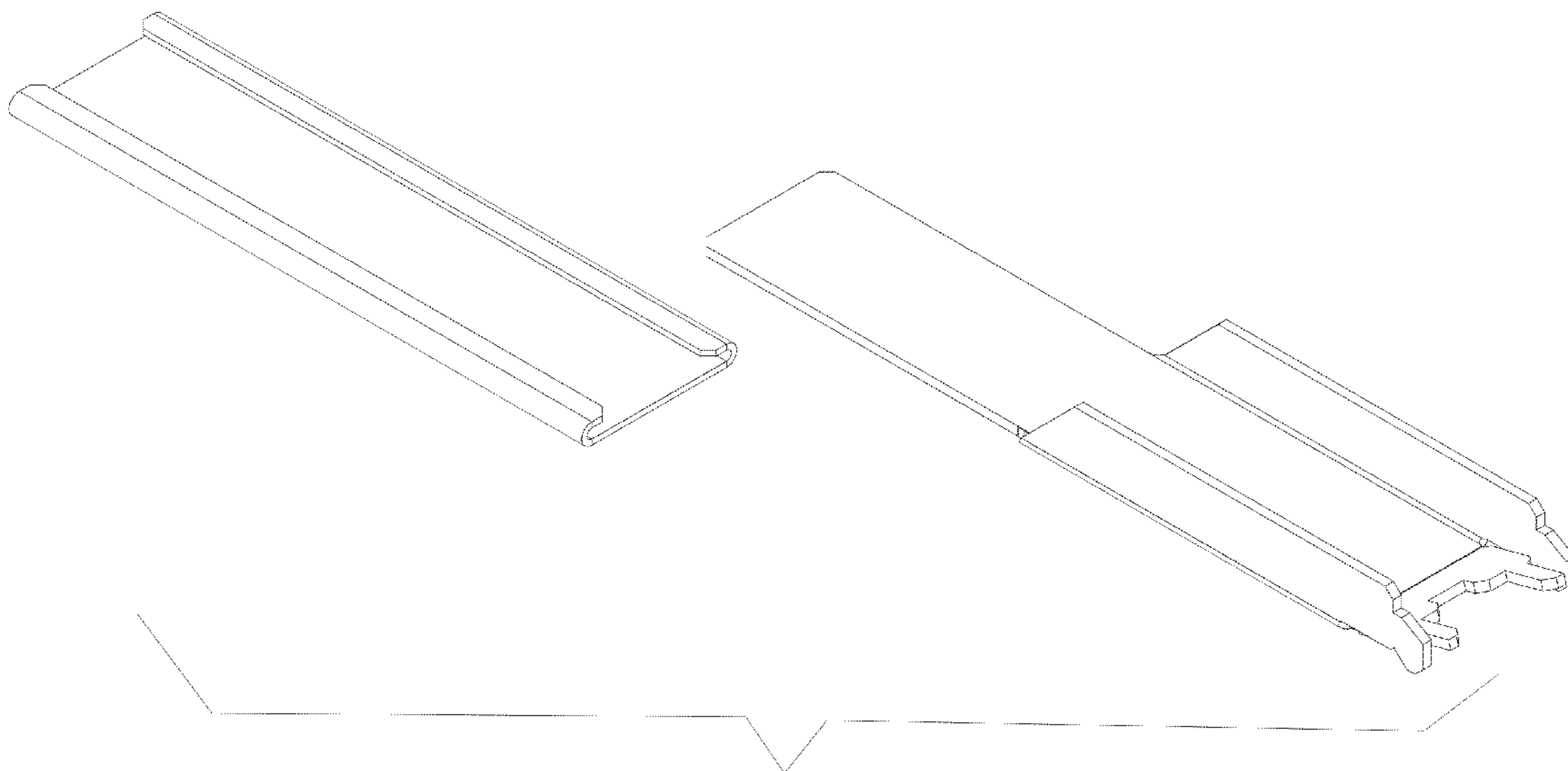
(57) **CLAIM**

The ornamental design for a bracket, as shown and described.

DESCRIPTION

FIG. 1 is a top perspective view of a bracket showing our new design;
FIG. 2 is a bottom perspective view of FIG. 1;
FIG. 3 is a left side view of FIG. 1;
FIG. 4 is a right side view of FIG. 1;
FIG. 5 is a front view of FIG. 1;
FIG. 6 is a rear view of FIG. 1;
FIG. 7 is a top plan view of FIG. 1;
FIG. 8 is a bottom plan view of FIG. 1;
FIG. 9 is an exploded perspective view of FIG. 1;
FIG. 10 is an exploded top plan view of FIG. 1;
FIG. 11 is an exploded bottom plan view of FIG. 1;
FIG. 12 is an exploded left side view of FIG. 1;
FIG. 13 is an exploded right side view of FIG. 1;
FIG. 14 is an exploded front view of FIG. 1; and
FIG. 15 is an exploded rear view of FIG. 1.

1 Claim, 15 Drawing Sheets



US D733,531 S

Page 2

(56)

References Cited

U.S. PATENT DOCUMENTS

2001/0040203	A1 *	11/2001	Brock et al.	248/222.11
2003/0141264	A1 *	7/2003	Kaminski	211/26
2003/0205539	A1 *	11/2003	Lauchner et al.	211/26
2003/0234332	A1 *	12/2003	Yen et al.	248/404
2004/0108289	A1 *	6/2004	Chen et al.	211/183
2008/0036347	A1 *	2/2008	Liang	312/334.5

* cited by examiner

FIGURE 1

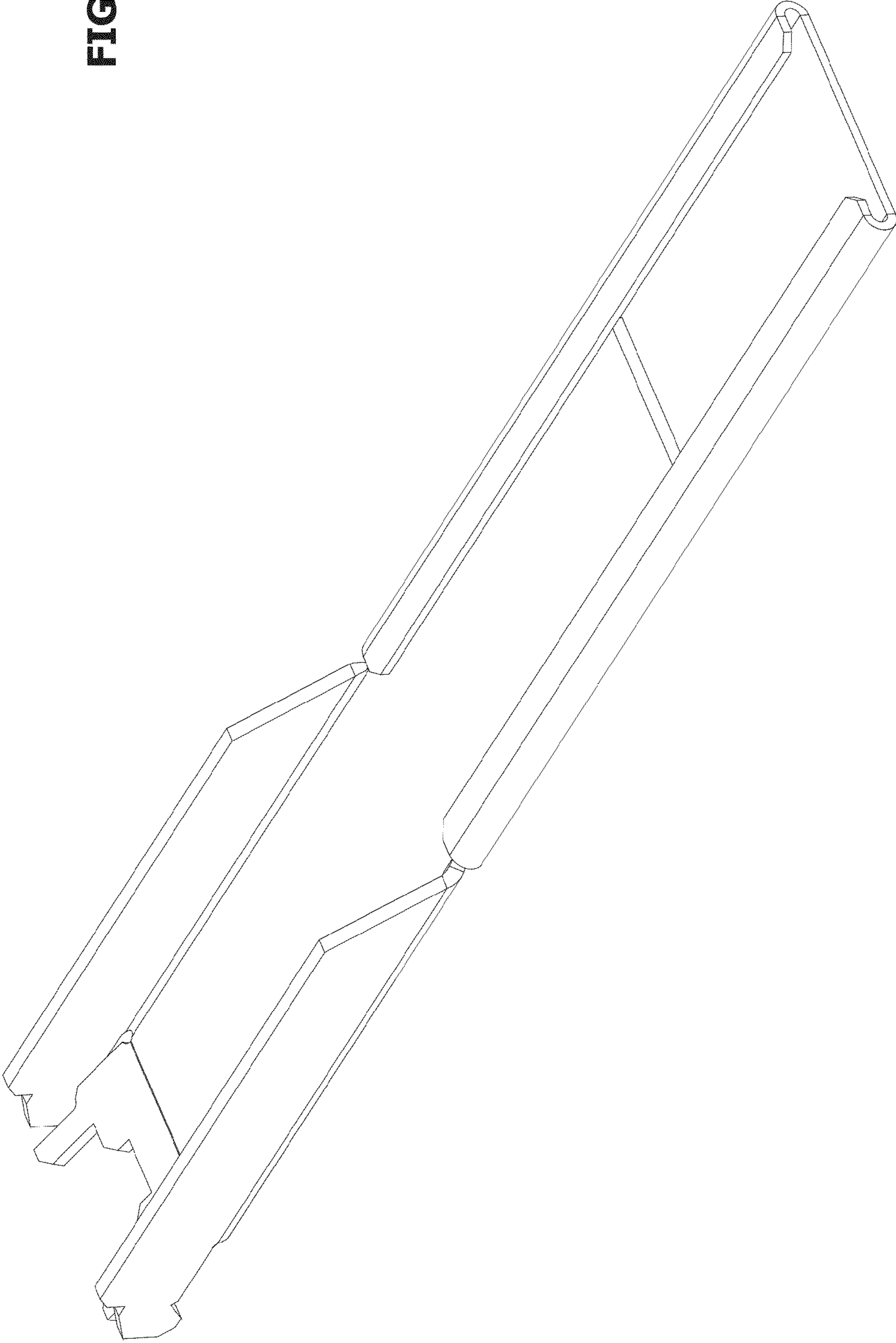


FIGURE 2

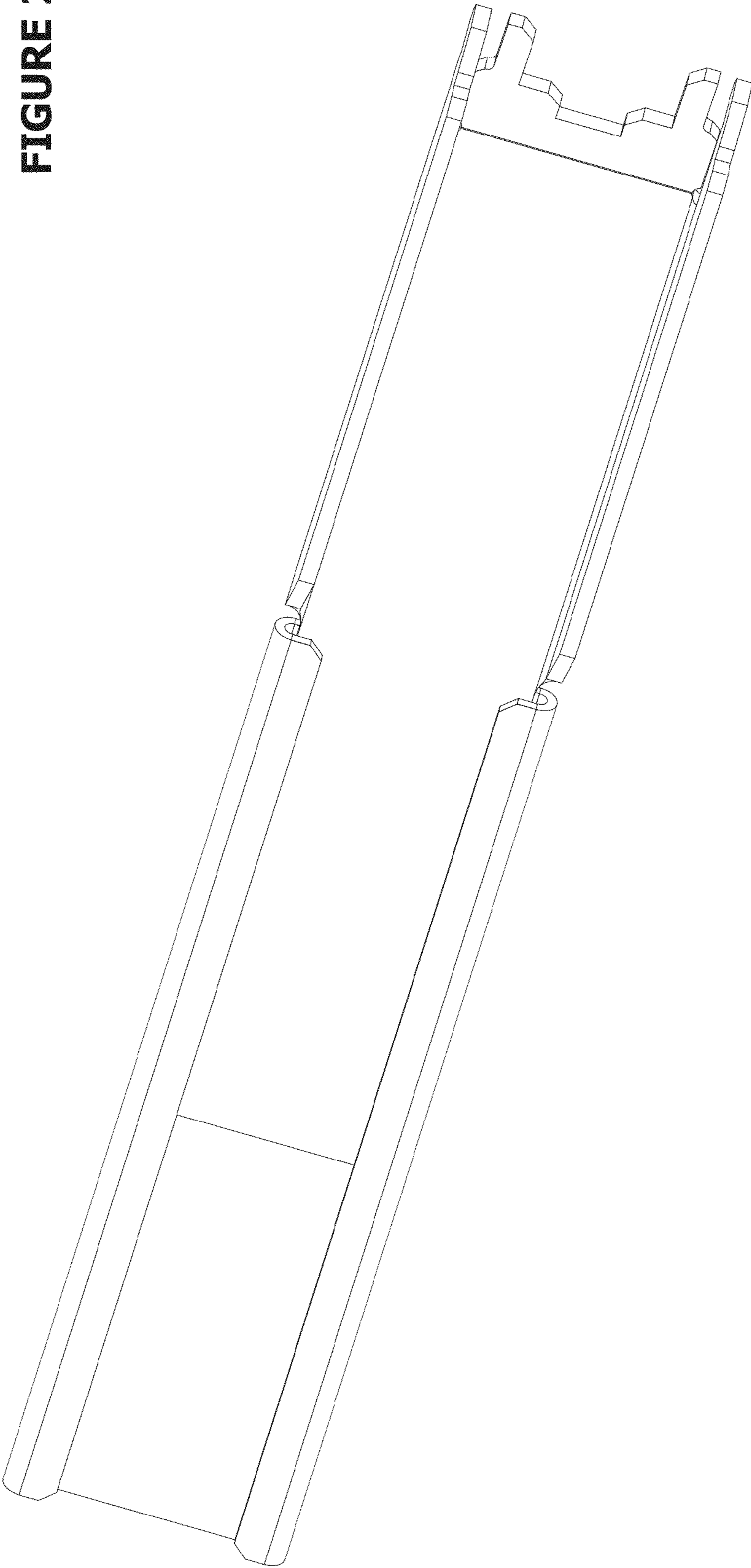


FIGURE 3

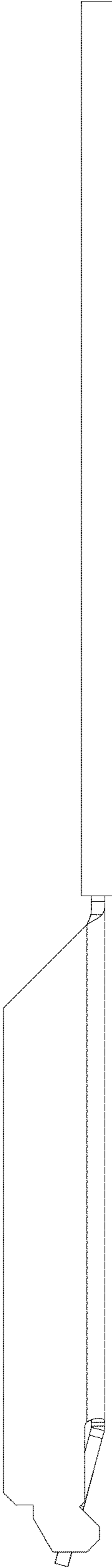


FIGURE 4

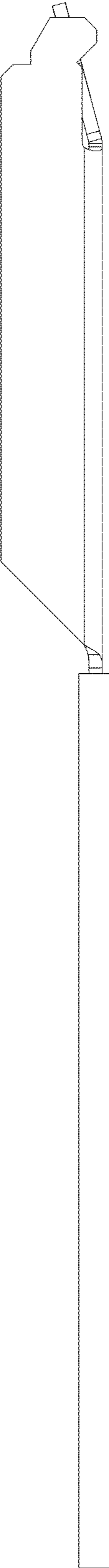


FIGURE 5

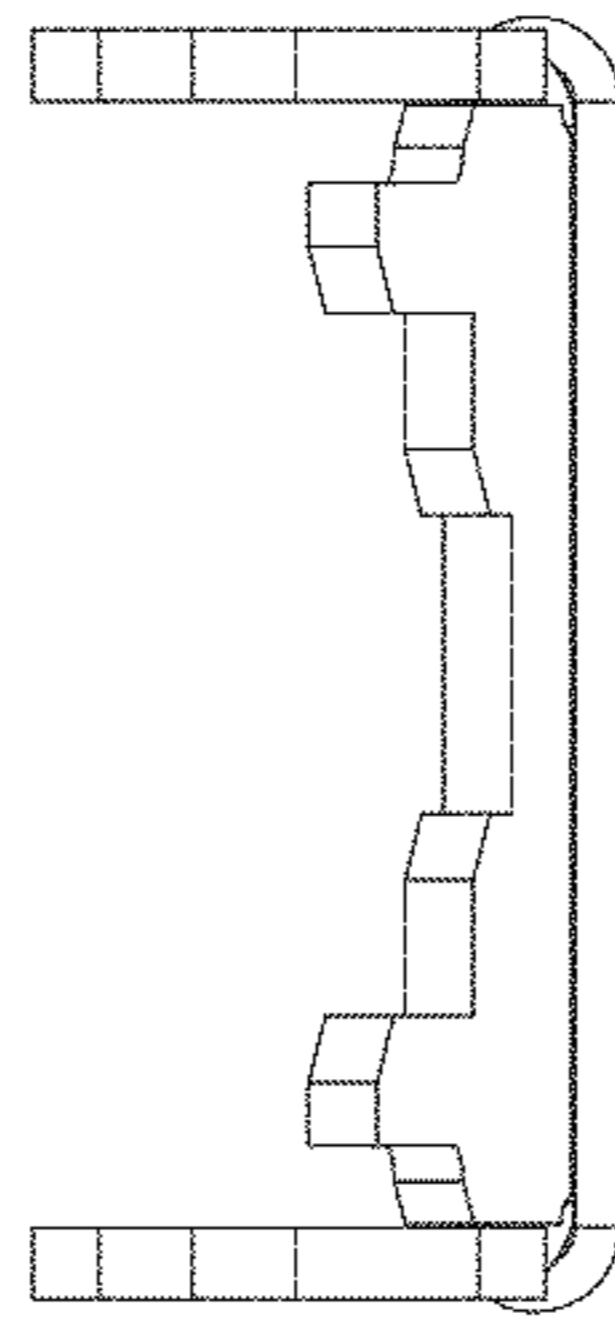


FIGURE 6

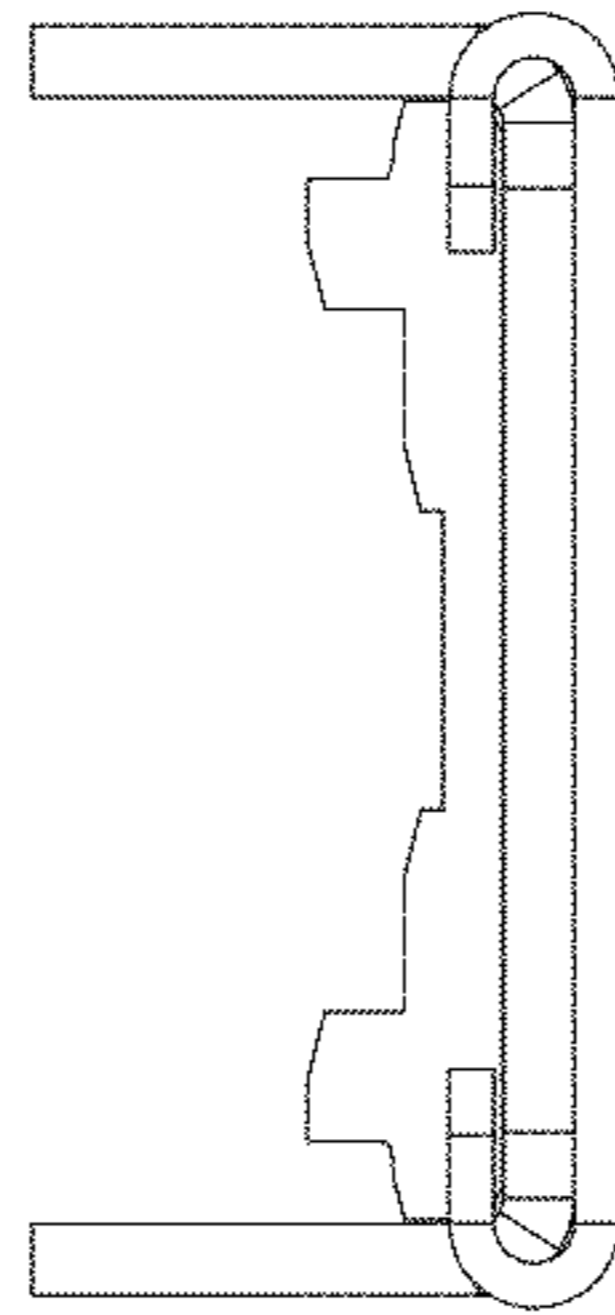


FIGURE 7

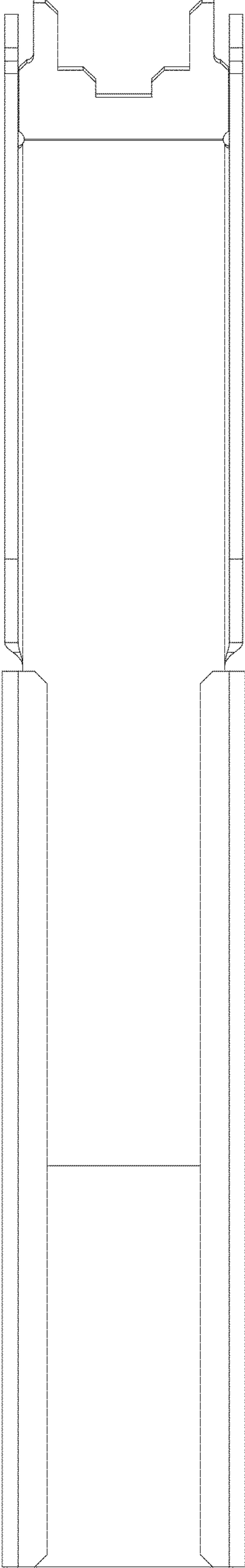


FIGURE 8

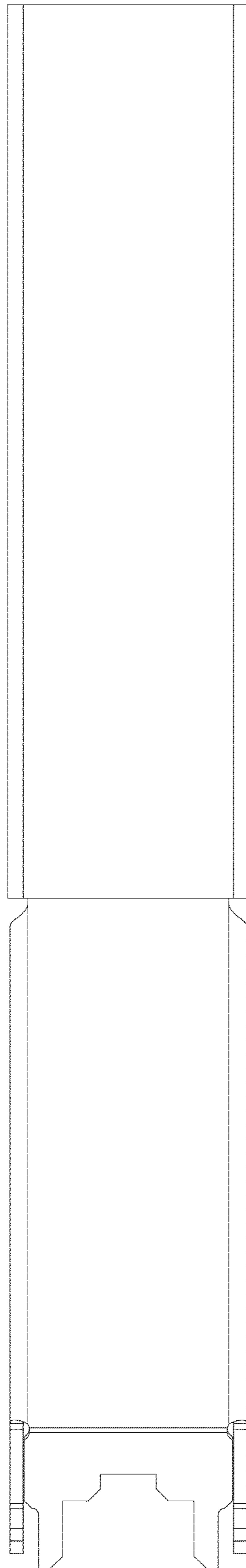


FIGURE 9

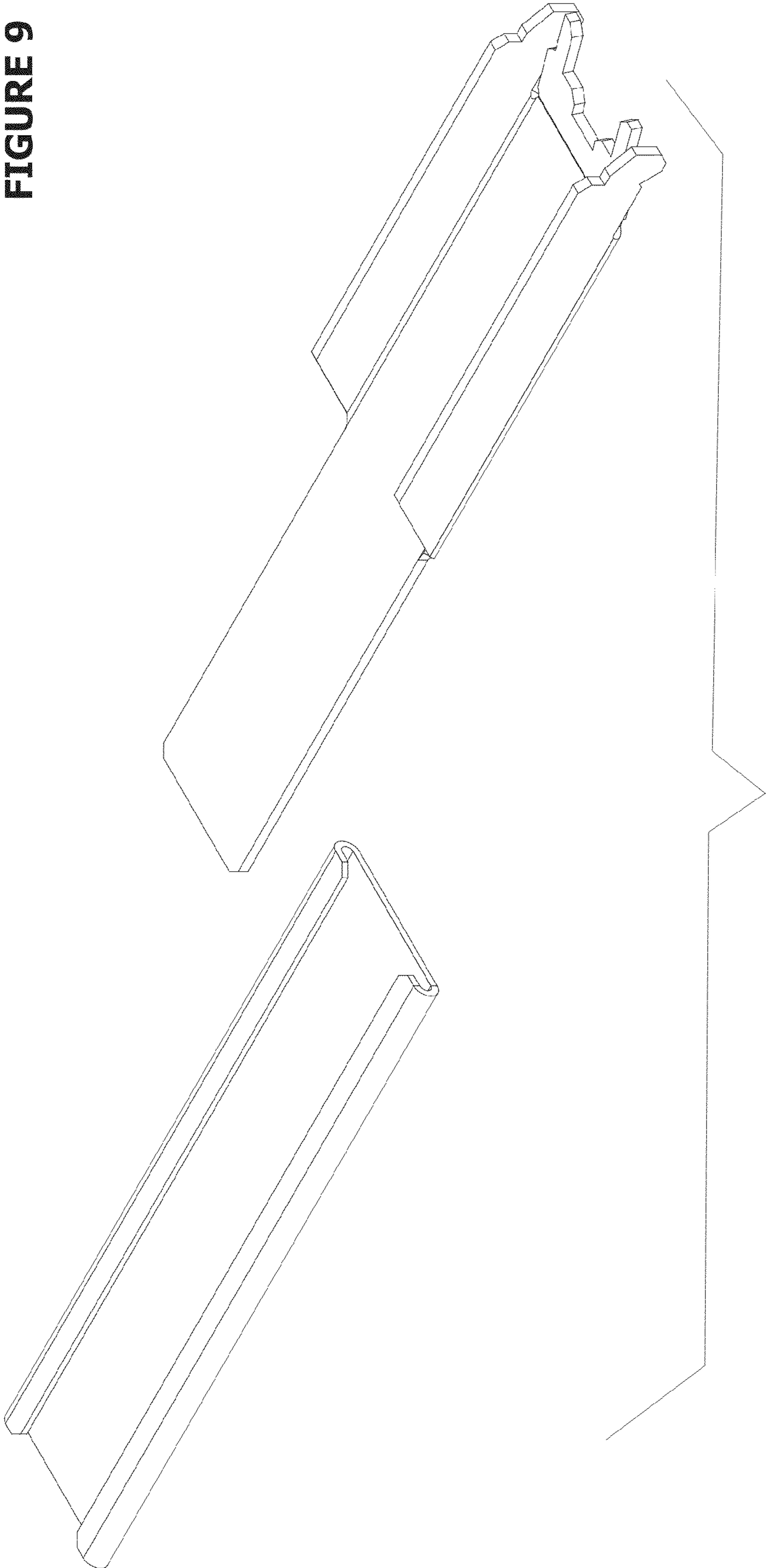


FIGURE 10

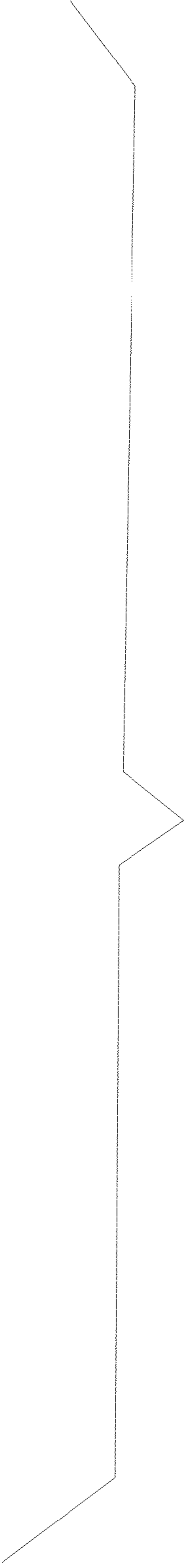
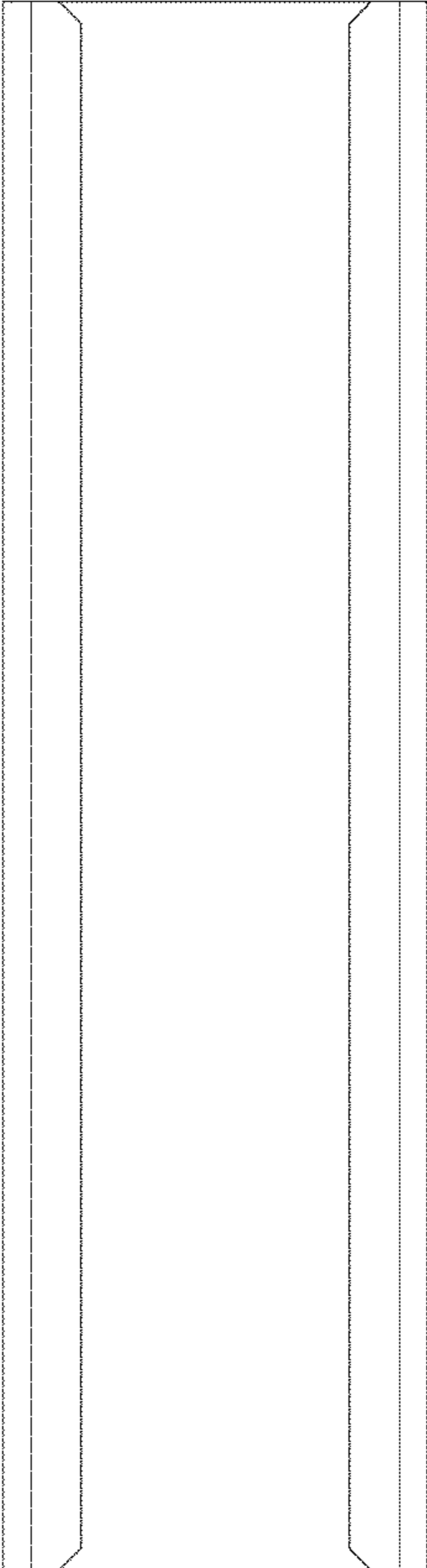
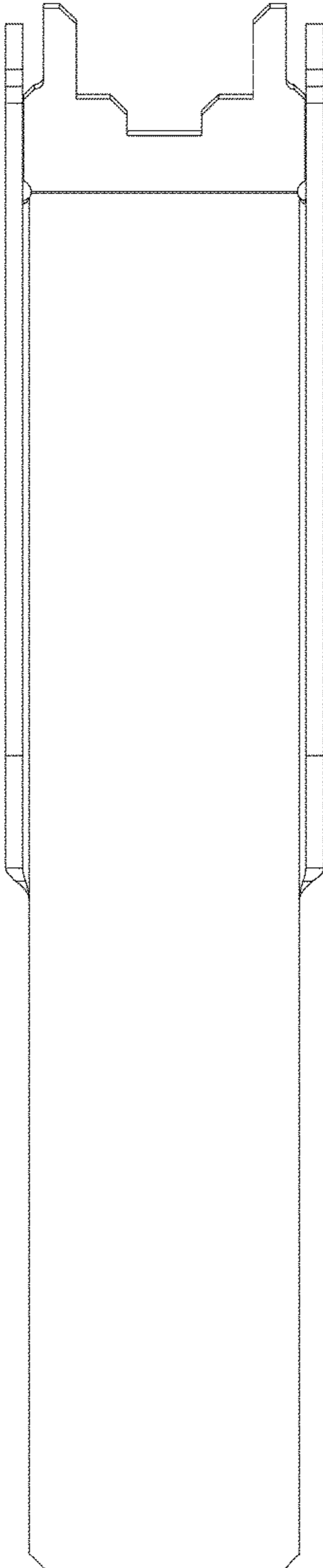


FIGURE 11

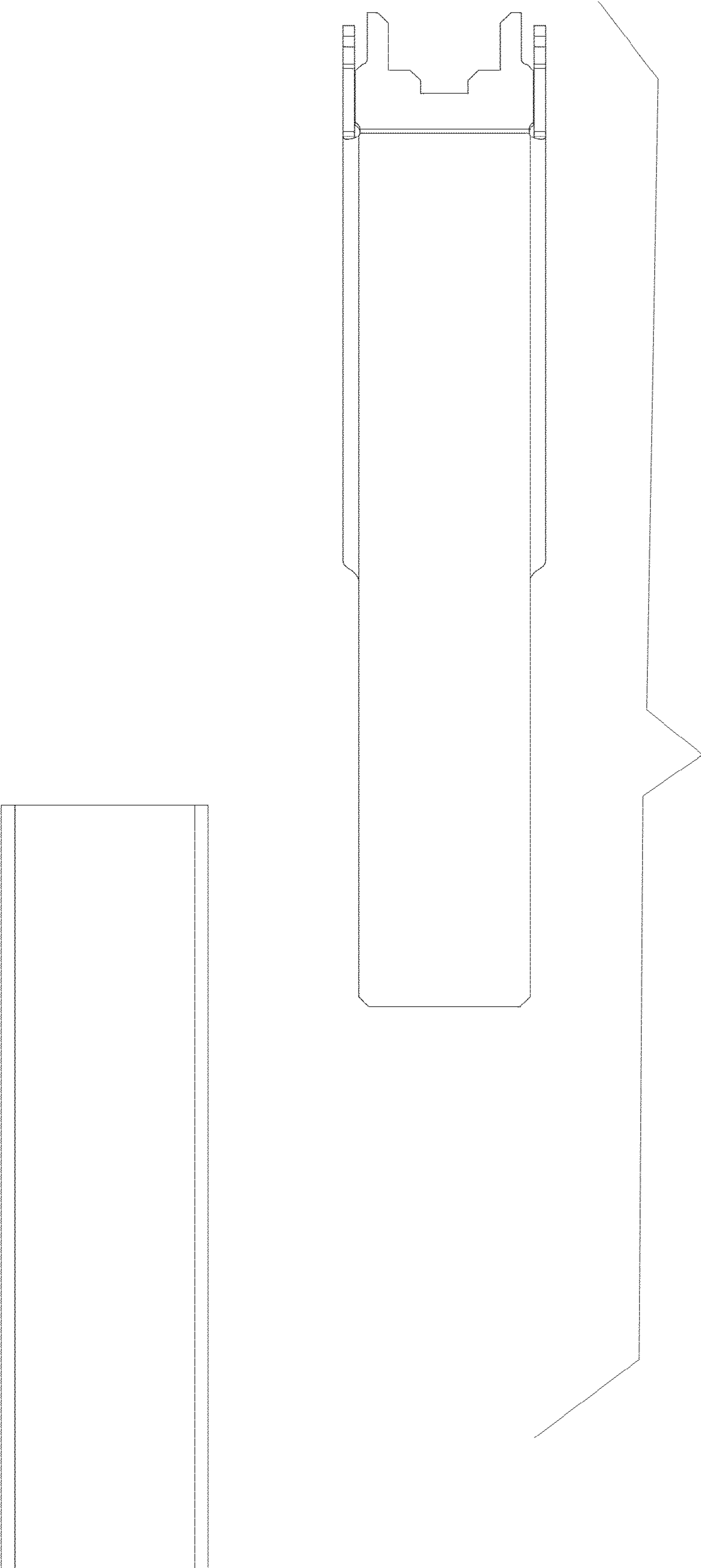


FIGURE 12

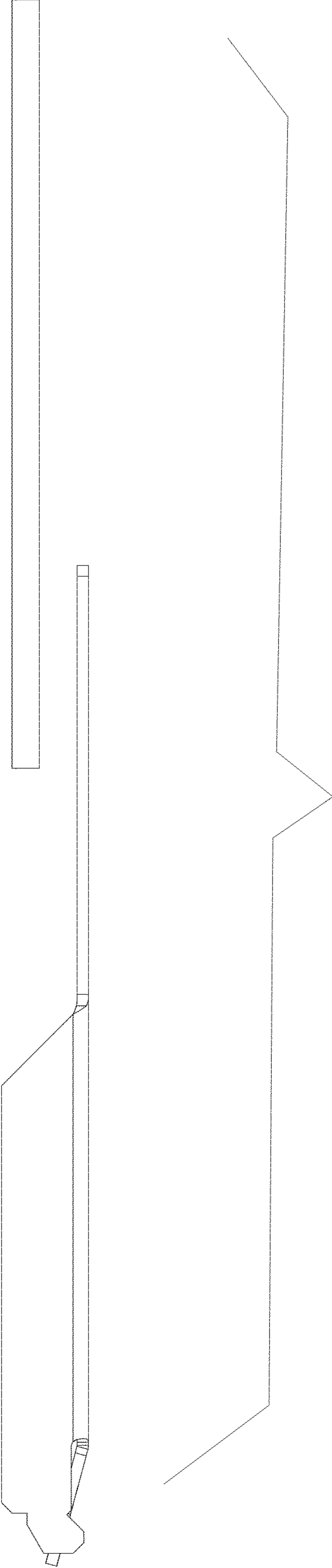


FIGURE 13

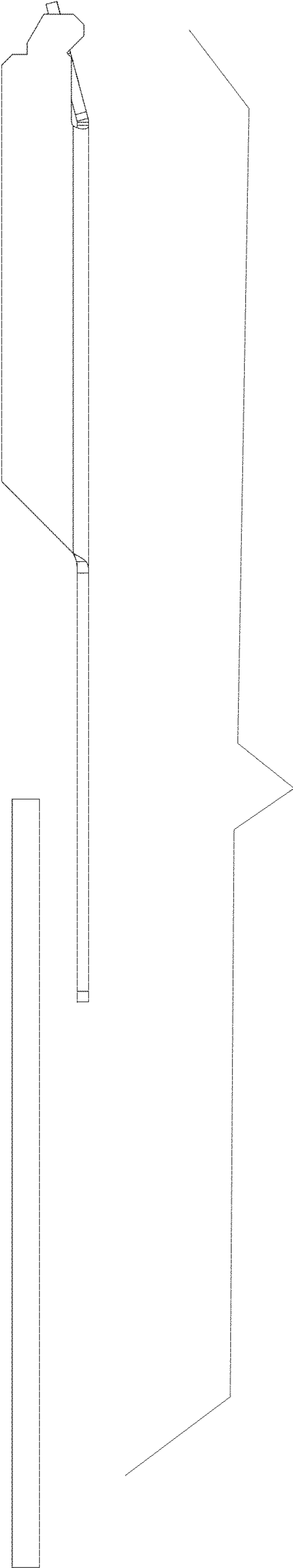


FIGURE 14

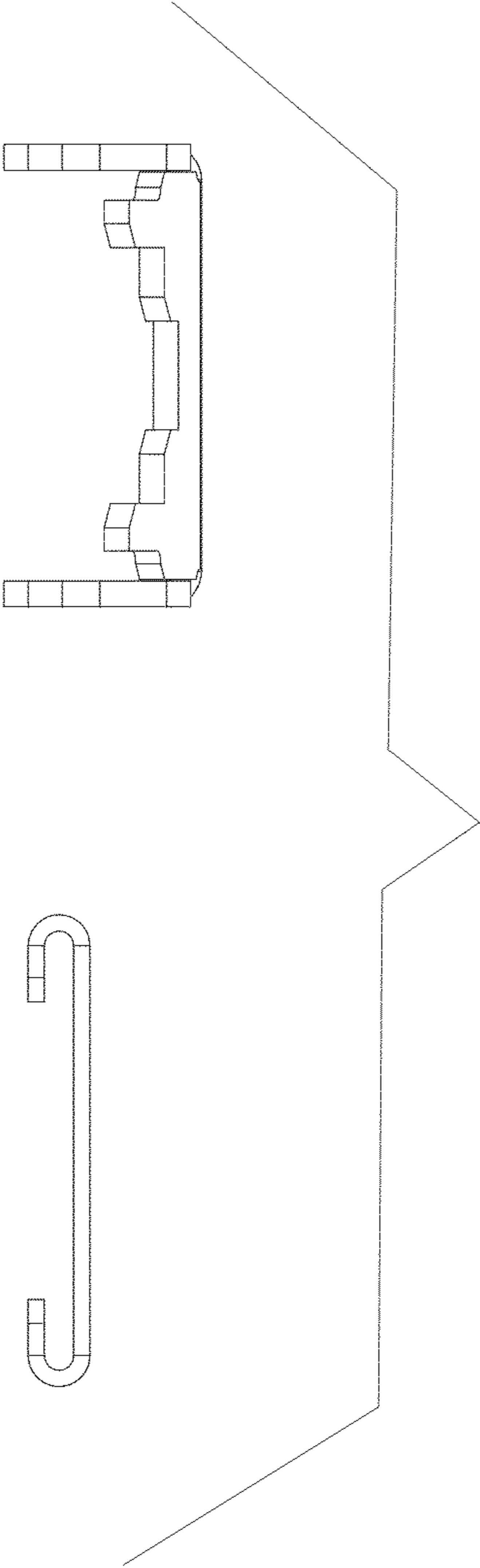


FIGURE 15

