



US00D733530S

(12) **United States Design Patent**  
**Tonthat et al.**

(10) **Patent No.:** **US D733,530 S**  
(45) **Date of Patent:** **\*\* Jul. 7, 2015**

(54) **BRACKET**

(71) Applicant: **Innovation First, Inc.**, Greenville, TX (US)

(72) Inventors: **Hoainam James Tonthat**, Greenville, TX (US); **Robert H. Mimlitch, III**, Rowlett, TX (US); **Juan Carlos Valles**, Forney, TX (US); **James Whitney Wilson**, Nevada, TX (US)

(73) Assignee: **Innovation First, Inc.**, Greenville, TX (US)

(\*\*) Term: **14 Years**

(21) Appl. No.: **29/468,062**

(22) Filed: **Sep. 26, 2013**

(51) **LOC (10) Cl.** ..... **08-05**

(52) **U.S. Cl.**  
USPC ..... **D8/354**

(58) **Field of Classification Search**  
USPC ..... D8/349, 354–356, 363–367, 370–373, D8/380, 382, 384, 381; D25/199; 248/215, 248/465.1, 112, 153, 175, 218.1, 218.2, 248/302, 303  
CPC .... A47B 96/06; A47B 96/062; A47B 96/063; A47B 96/066; A47B 96/067; A47B 96/068  
See application file for complete search history.

(56) **References Cited**

U.S. PATENT DOCUMENTS

6,804,866	B2 *	10/2004	Lemke et al.	24/338
7,134,558	B1 *	11/2006	Mimlitch et al.	211/26
7,159,771	B2 *	1/2007	Singgih et al.	235/383
D552,970	S *	10/2007	Brassard	D8/354
7,405,926	B2 *	7/2008	Wu et al.	361/679.27
7,806,277	B2 *	10/2010	Mimlitch et al.	211/26
8,333,353	B1 *	12/2012	Silverman et al.	248/205.6
8,356,718	B2 *	1/2013	Yang	211/26
2004/0108289	A1 *	6/2004	Chen et al.	211/183
2006/0175522	A1 *	8/2006	Axel	248/454

\* cited by examiner

*Primary Examiner* — Elizabeth Albert

(74) *Attorney, Agent, or Firm* — Adam K. Sacharoff; Much Shelist

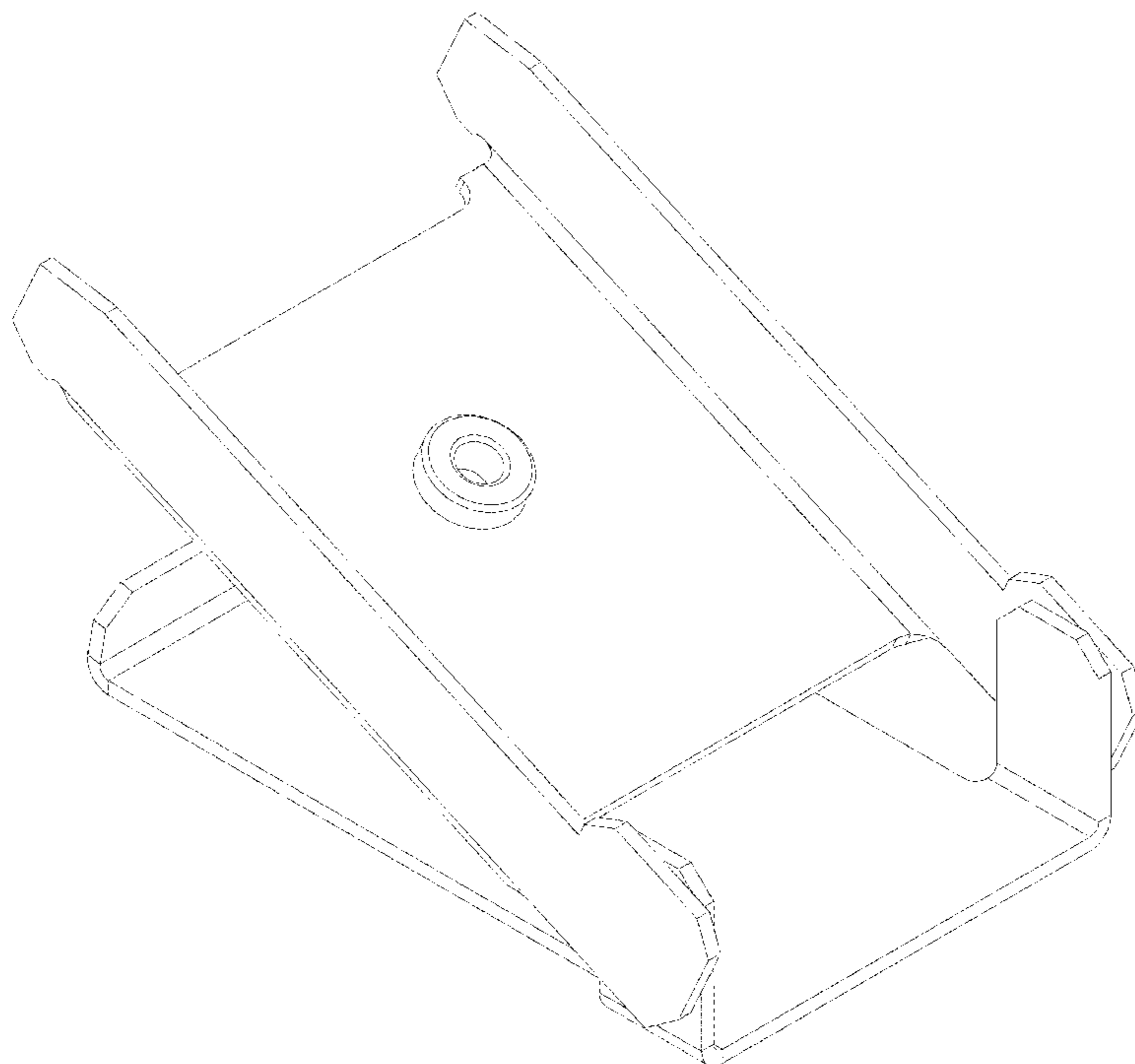
(57) **CLAIM**

The ornamental design for a bracket, as shown and described.

**DESCRIPTION**

FIG. 1 is a top rear perspective view of a bracket showing our new design;  
FIG. 2 is a bottom side perspective view of FIG. 1;  
FIG. 3 is another top rear perspective view of FIG. 1;  
FIG. 4 is another bottom side perspective view of FIG. 1;  
FIG. 5 is a top plan view of FIG. 1;  
FIG. 6 is a bottom plan view of FIG. 1;  
FIG. 7 is a left side elevation view of FIG. 1;  
FIG. 8 is a right side elevation view of FIG. 1;  
FIG. 9 is a front elevation view of FIG. 1; and,  
FIG. 10 is a rear elevation view of FIG. 1.

**1 Claim, 10 Drawing Sheets**



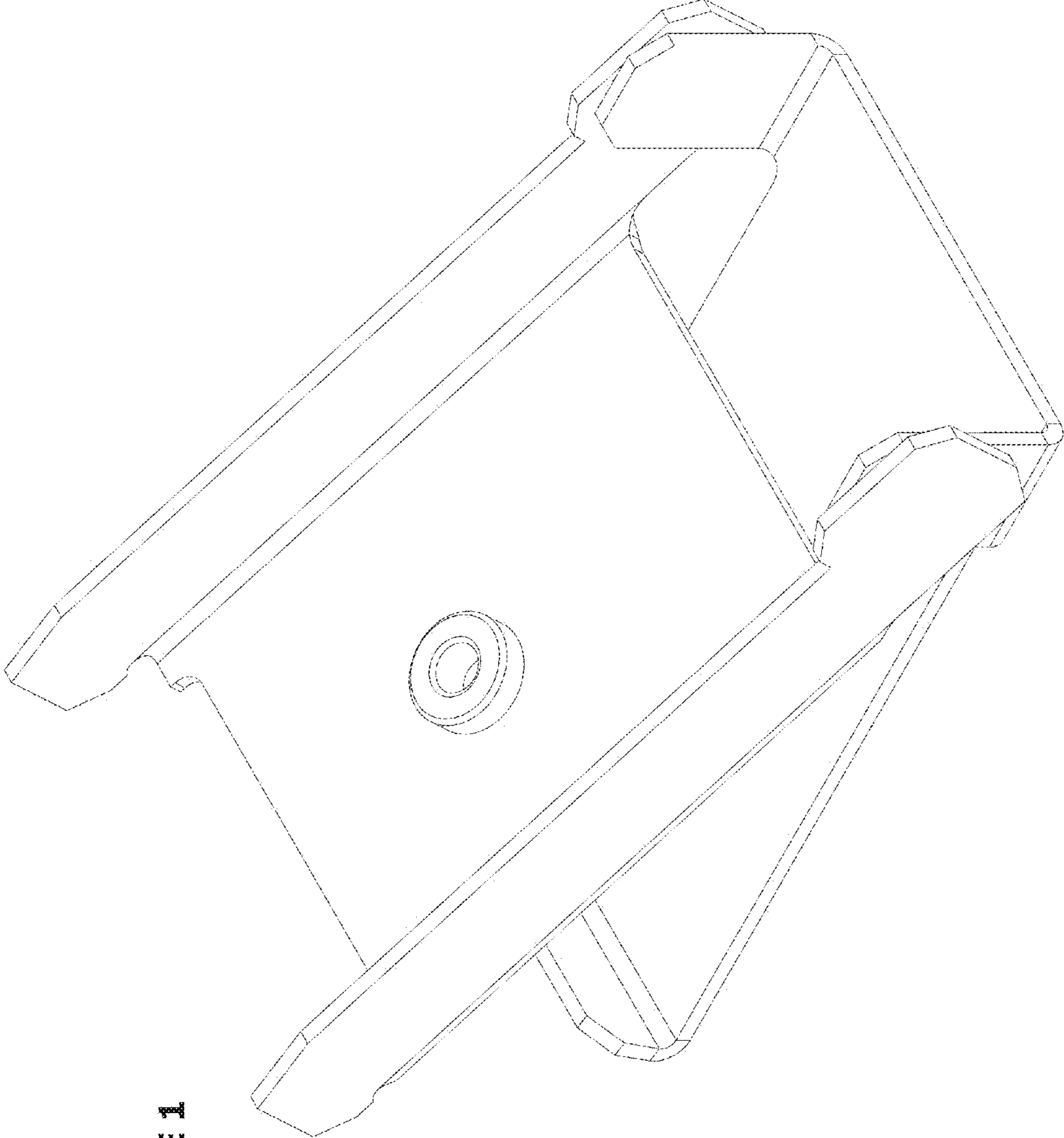


FIGURE 1

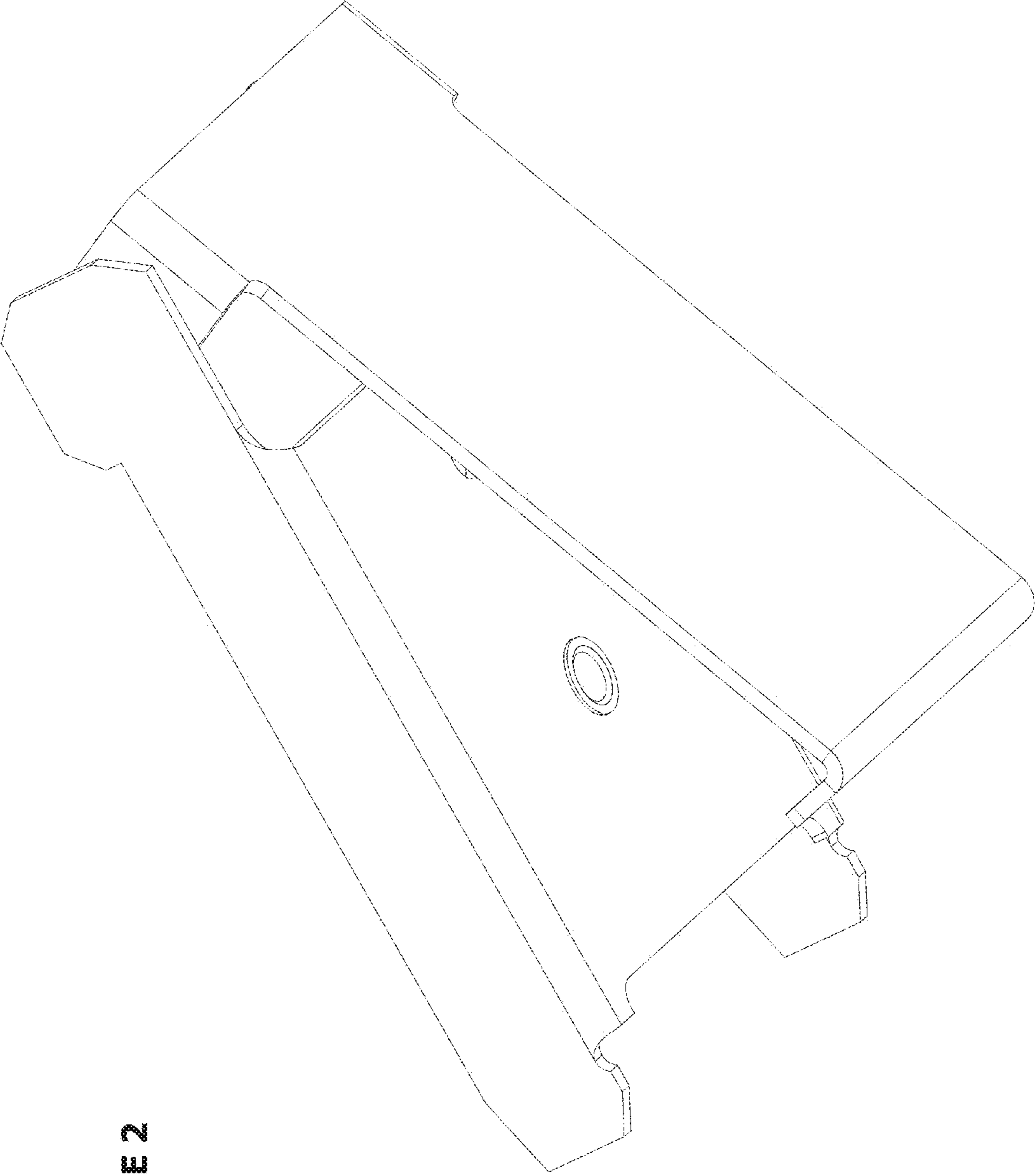


FIGURE 2

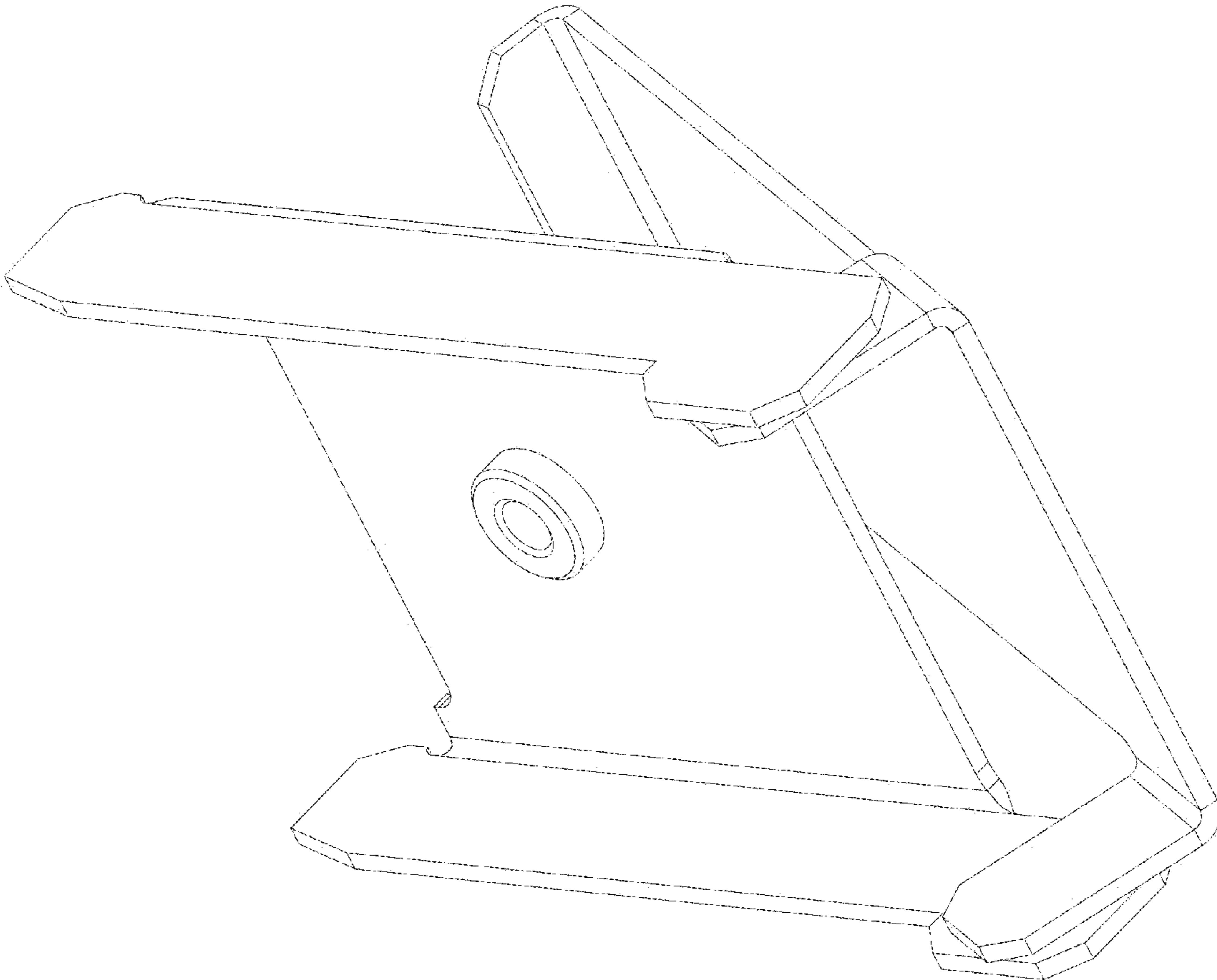
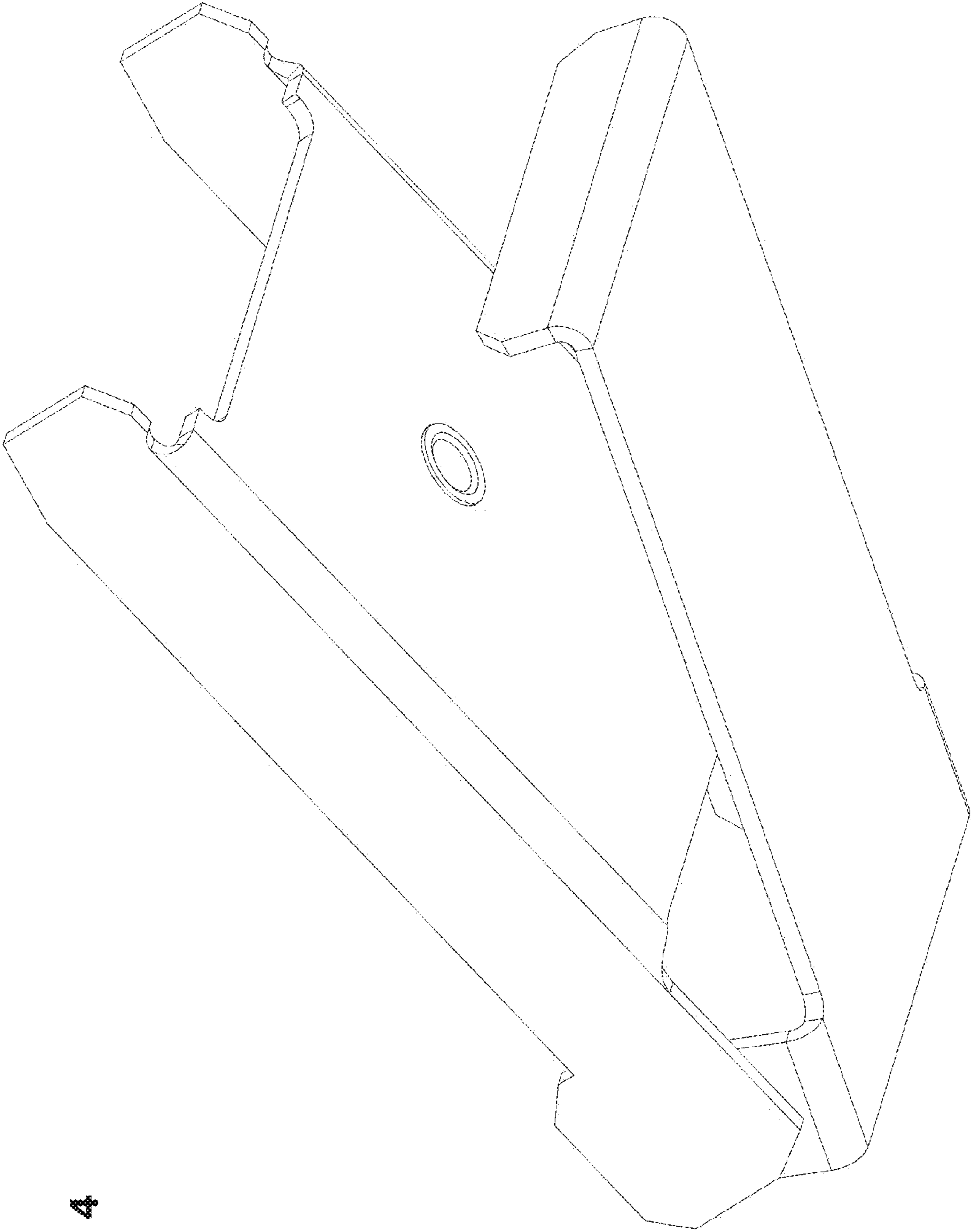


FIGURE 3



**FIGURE 4**

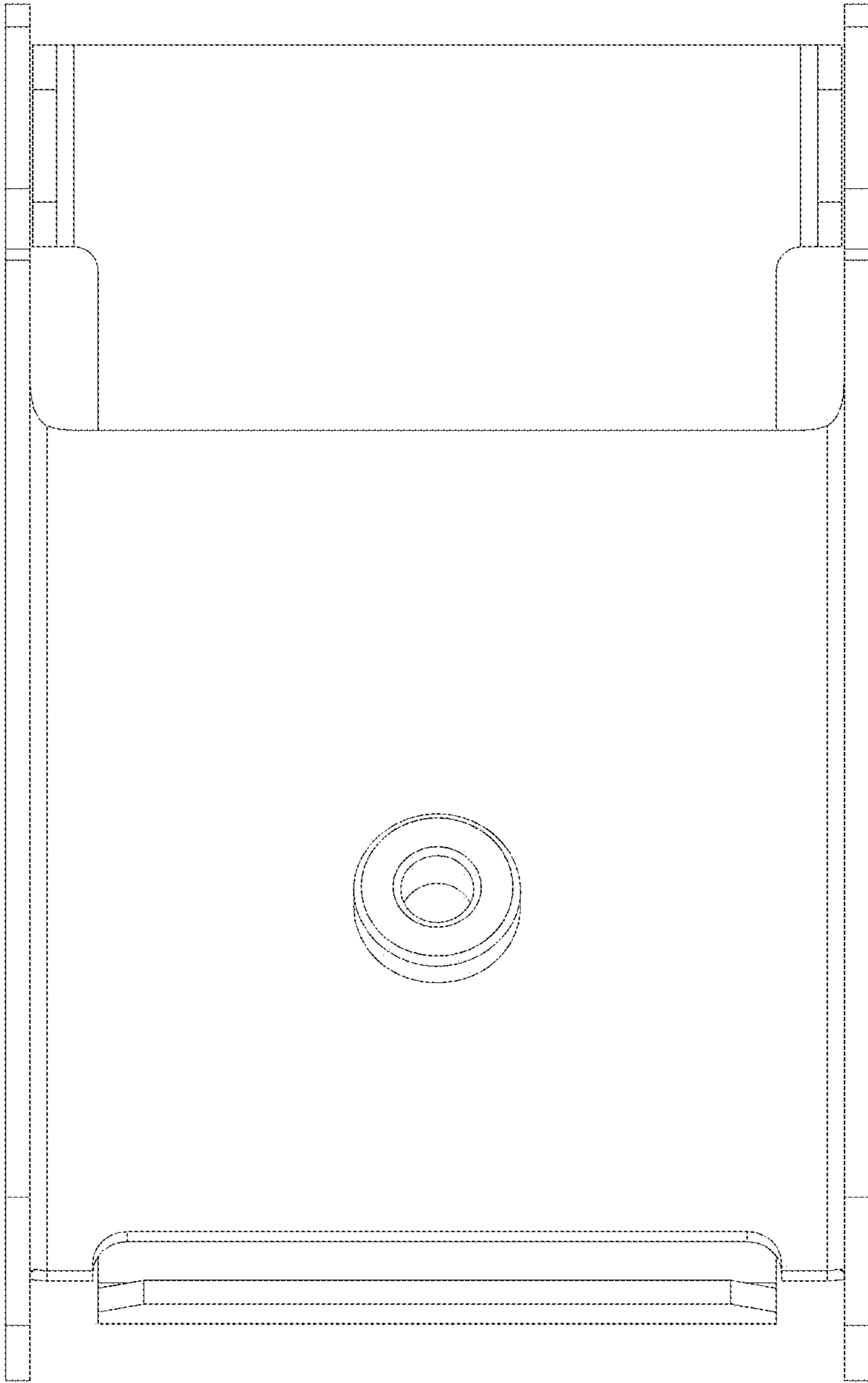


FIGURE 5

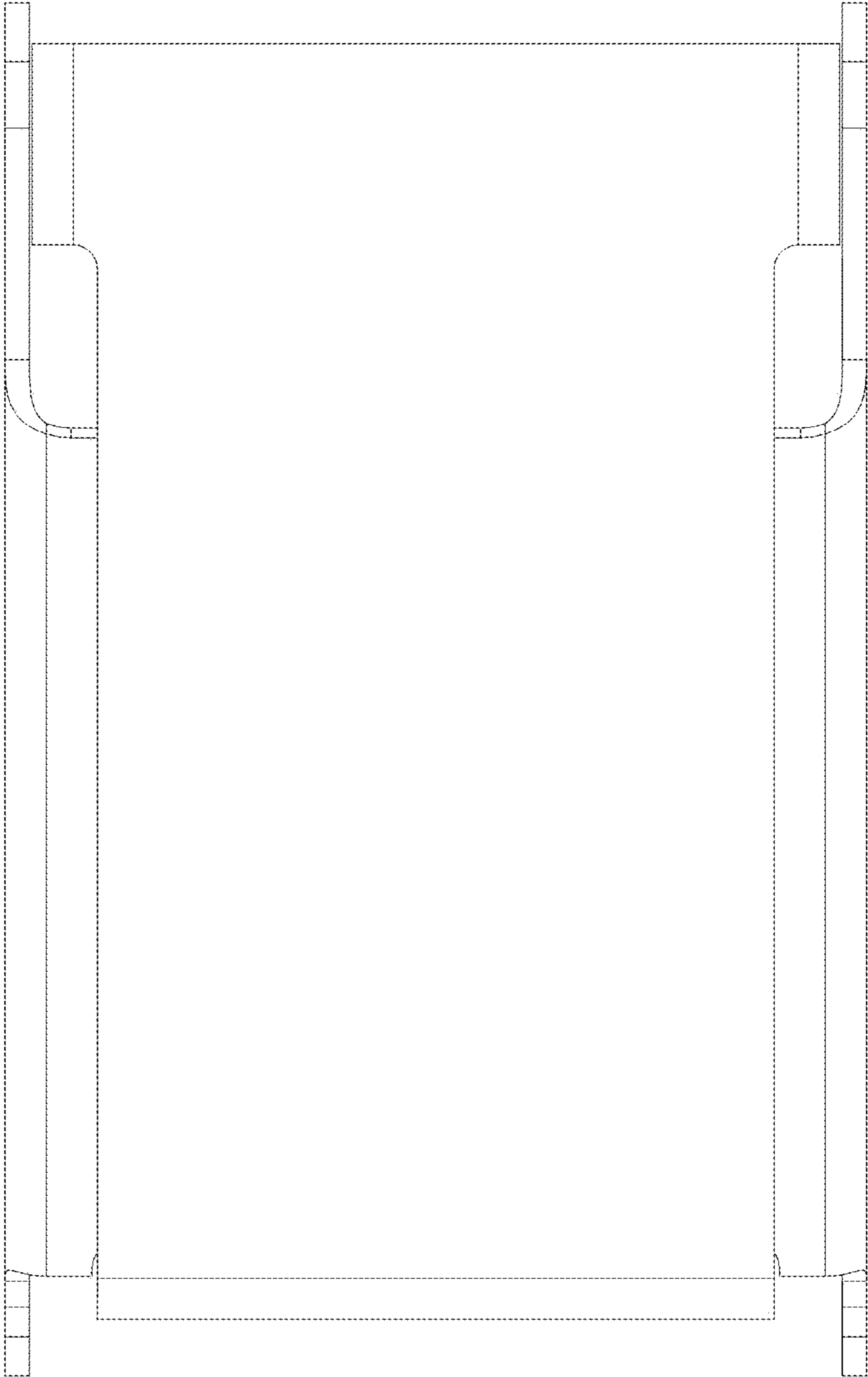
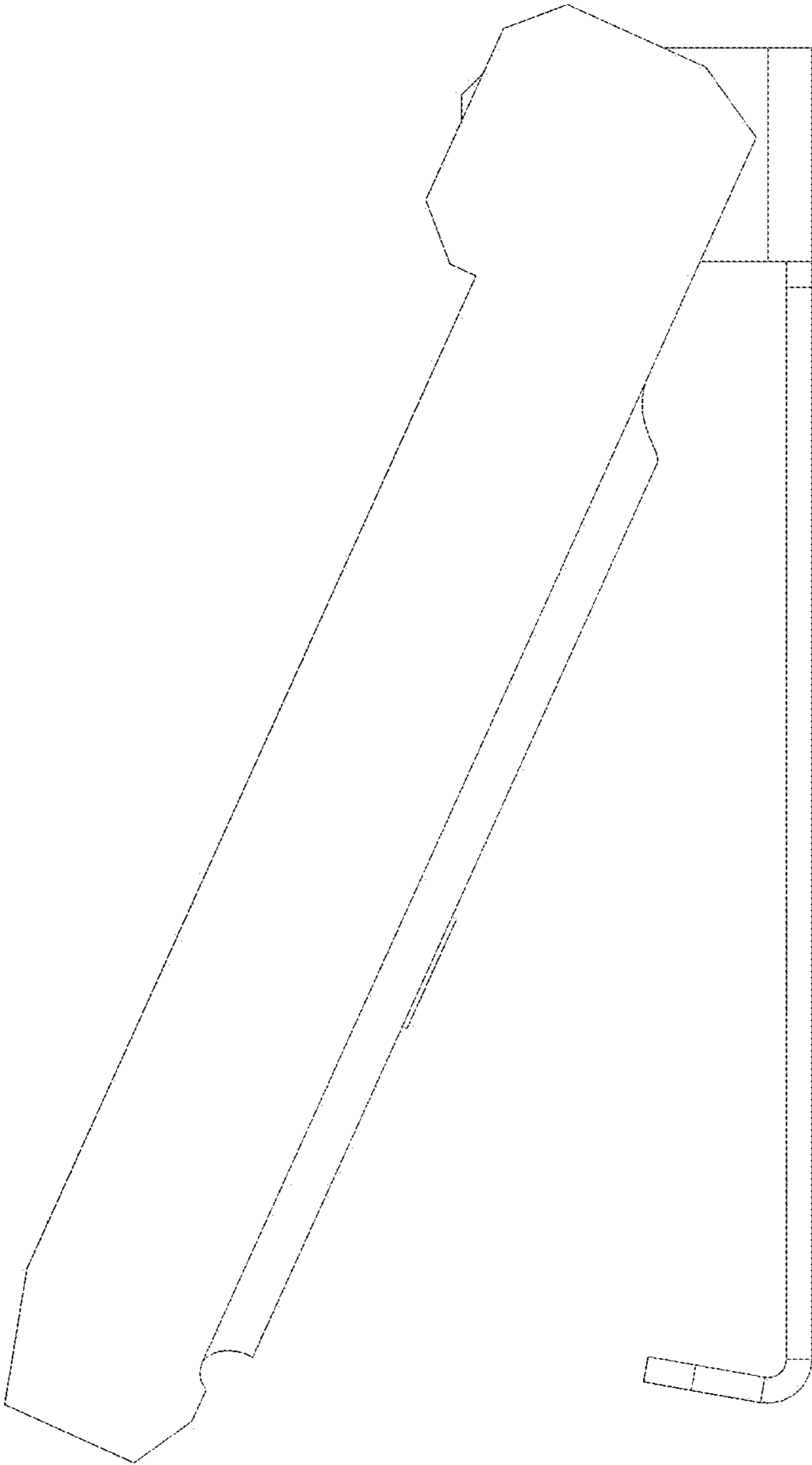


FIGURE 6



**FIGURE 7**



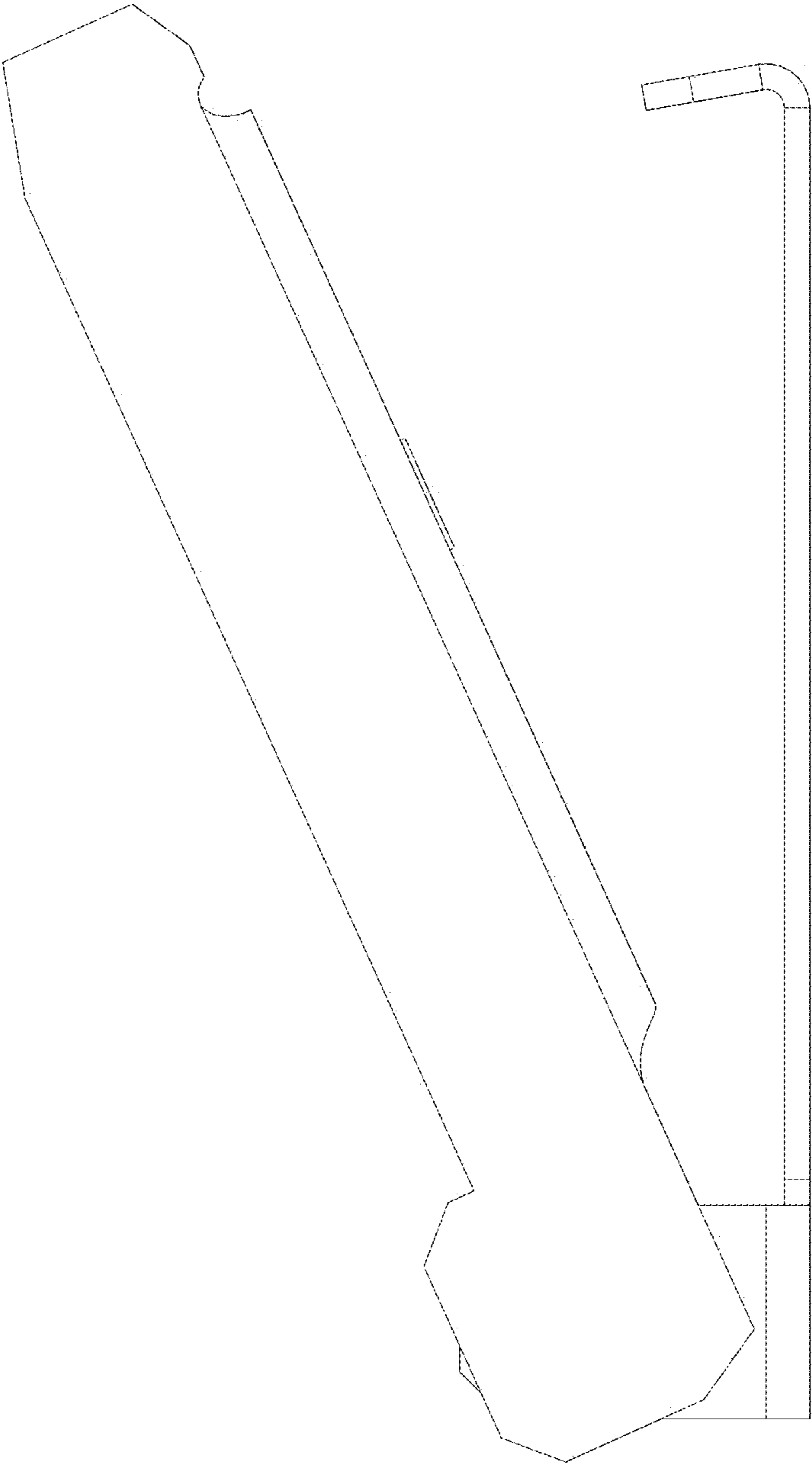


FIGURE 8

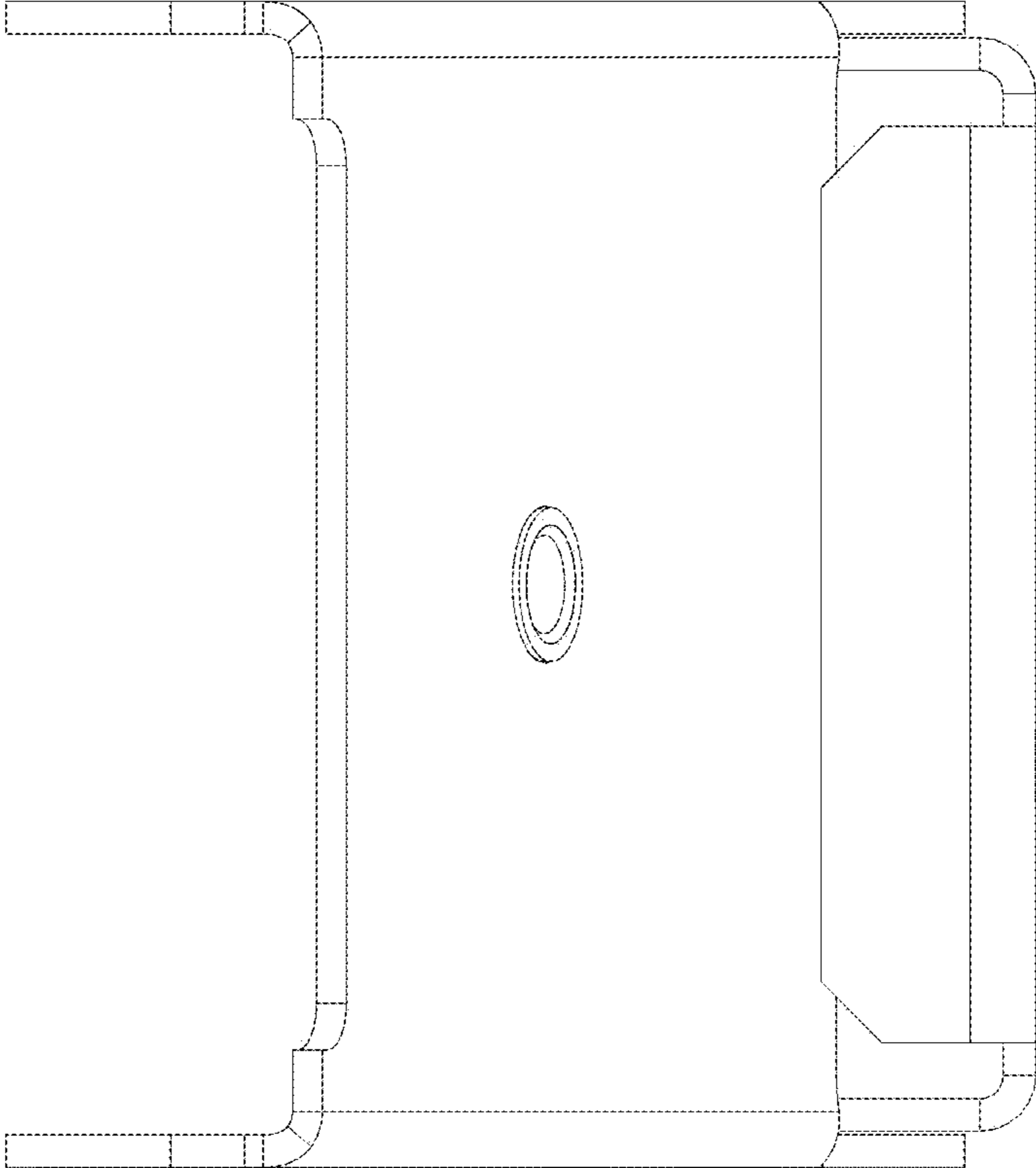


FIGURE 9

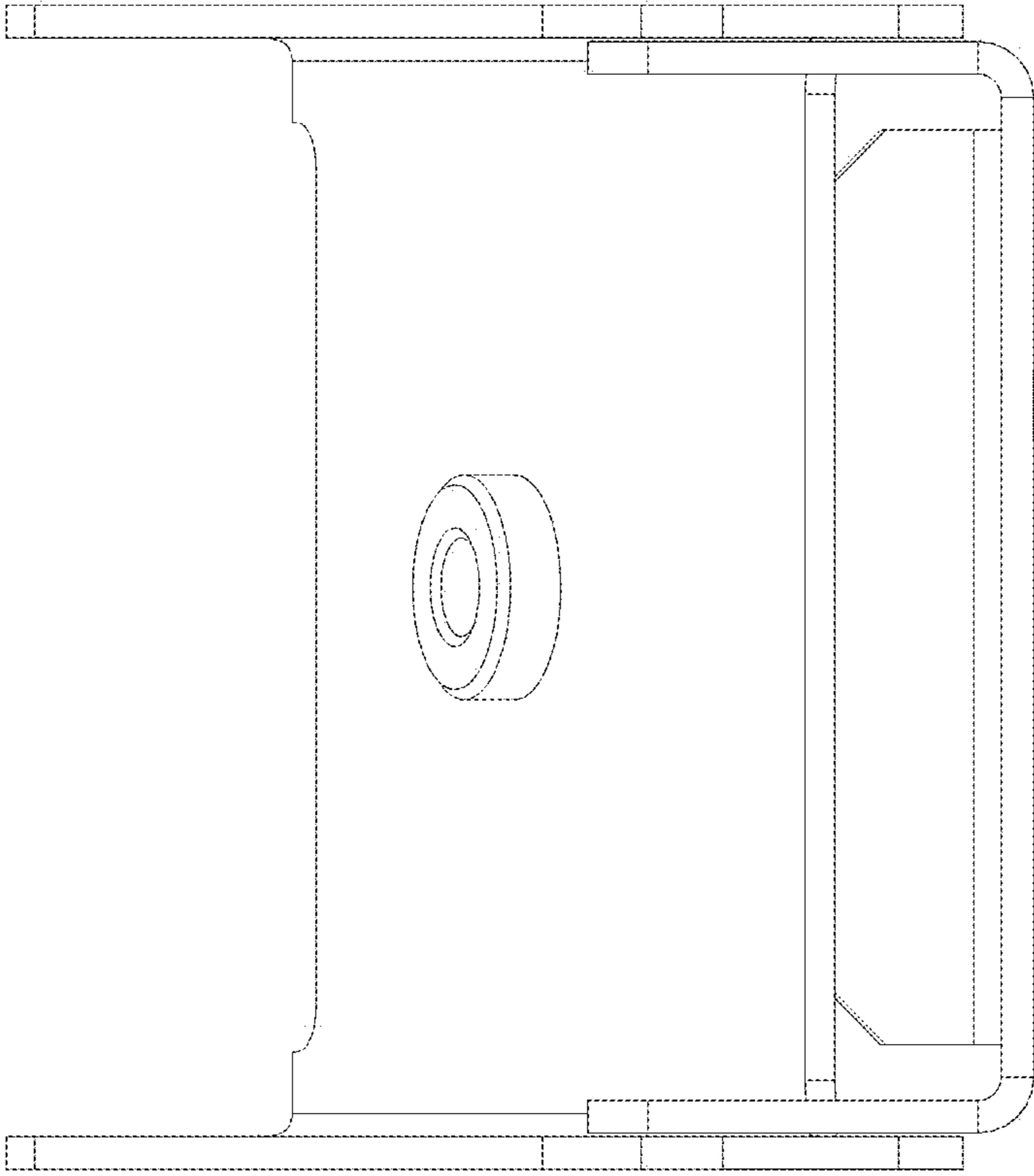


FIGURE 10