



US00D733528S

(12) **United States Design Patent**  
**Lee et al.**

(10) **Patent No.:** **US D733,528 S**  
(45) **Date of Patent:** **\*\* Jul. 7, 2015**

(54) **SPACER FOR PAVERS**

(75) Inventors: **Alan Sian Ghee Lee**, Singapore (SG);  
**Henry Greaves**, Watsons Bay (AU)

(73) Assignee: **ELMICH PTE. LTD.**, Singapore (SG)

(\*\*) Term: **14 Years**

(21) Appl. No.: **29/430,764**

(22) Filed: **Aug. 29, 2012**

(30) **Foreign Application Priority Data**

May 10, 2012 (AU) ..... 12280/2012

(51) **LOC (10) CL.** ..... **08-05**

(52) **U.S. Cl.**  
USPC ..... **D8/354**

(58) **Field of Classification Search**  
USPC ..... D8/354, 349, 47, 45, 51, 55; D6/706;  
D25/133, 138; 248/56, 65; 52/126.6  
See application file for complete search history.

(56) **References Cited**

**U.S. PATENT DOCUMENTS**

3,861,098	A *	1/1975	Schaub	.....	52/98
6,332,292	B1 *	12/2001	Buzon	.....	52/126.6
6,363,685	B1 *	4/2002	Kugler	.....	52/745.05
6,520,471	B2 *	2/2003	Jones et al.	.....	248/346.5
7,140,156	B1 *	11/2006	Lowe et al.	.....	52/263
7,866,096	B2 *	1/2011	Lee et al.	.....	52/126.6
7,918,059	B2 *	4/2011	Repasky	.....	52/263
8,302,356	B2 *	11/2012	Knight et al.	.....	52/263
8,850,753	B2 *	10/2014	Tabibnia	.....	52/126.6

D722,257	S *	2/2015	Lee et al.	.....	D8/47
2002/0121583	A1 *	9/2002	Jones et al.	.....	248/346.01
2002/0148173	A1 *	10/2002	Kugler	.....	52/126.6
2004/0035064	A1 *	2/2004	Kugler et al.	.....	52/126.6
2004/0261329	A1 *	12/2004	Kugler et al.	.....	52/126.6
2007/0186498	A1 *	8/2007	Buzon	.....	52/263
2008/0222973	A1 *	9/2008	Lee et al.	.....	52/126.1
2013/0219809	A1 *	8/2013	Tabibnia	.....	52/126.6
2014/0308076	A1 *	10/2014	Tabibnia	.....	404/99
2014/0366461	A1 *	12/2014	Busby	.....	52/126.6

\* cited by examiner

*Primary Examiner* — Mark Goodwin

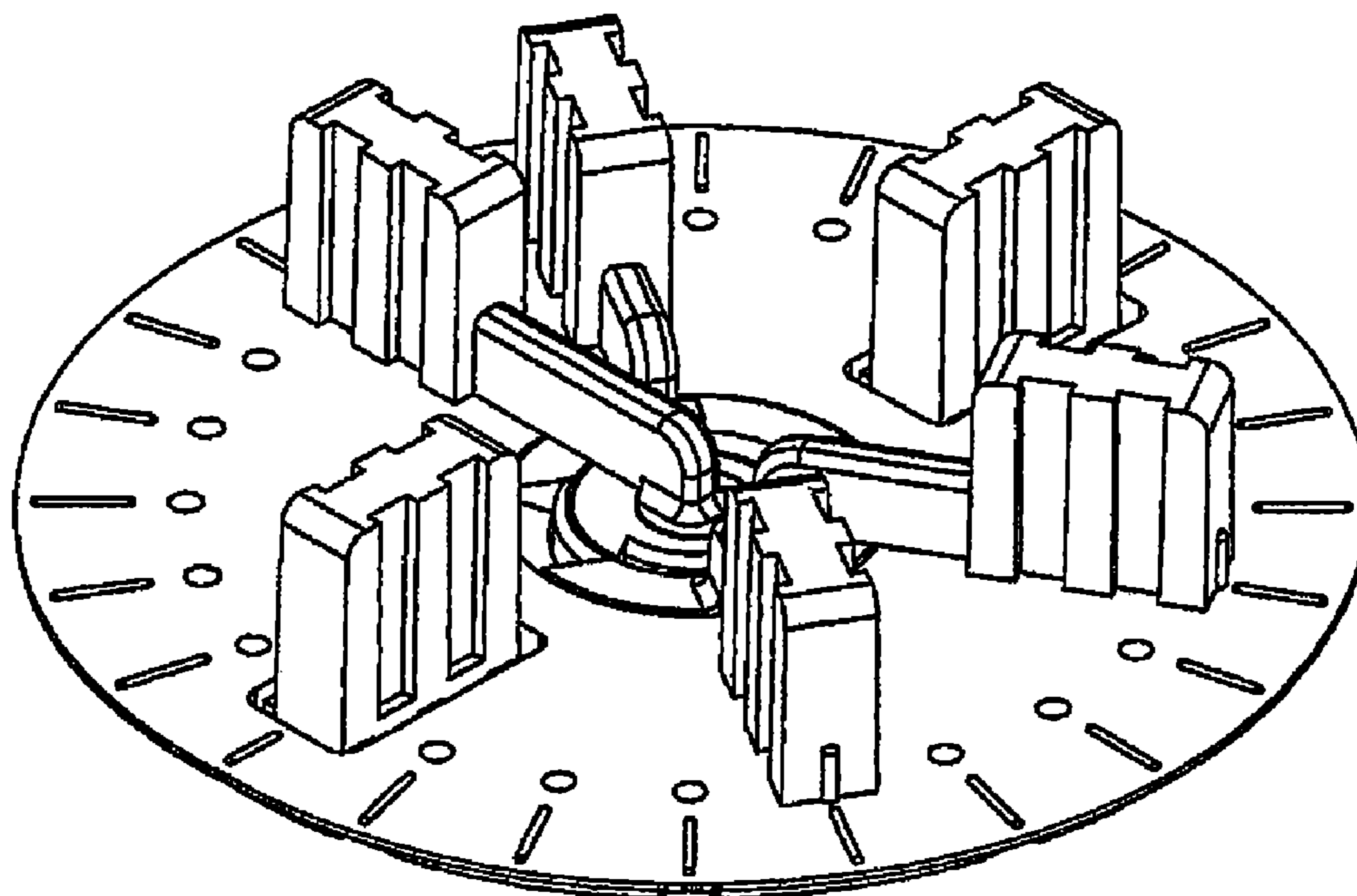
(57) **CLAIM**

The ornamental design for the spacer for pavers, as shown and described.

**DESCRIPTION**

FIG. 1 is a top plan view of a spacer for pavers showing our new design;  
FIG. 2 is a rear view thereof;  
FIG. 3 is a front view thereof;  
FIG. 4 is a front view thereof;  
FIG. 5 is a left side view thereof;  
FIG. 6 is a right side view thereof;  
FIG. 7 is an isometric view thereof;  
FIG. 8 is a top isometric view thereof, with the rotatable tab portion in an alternative orientation;  
FIG. 9 is a top isometric view thereof with the rotatable tab portion shown in another alternate orientation; and,  
FIG. 10 is an exploded top isometric view thereof.

**1 Claim, 10 Drawing Sheets**



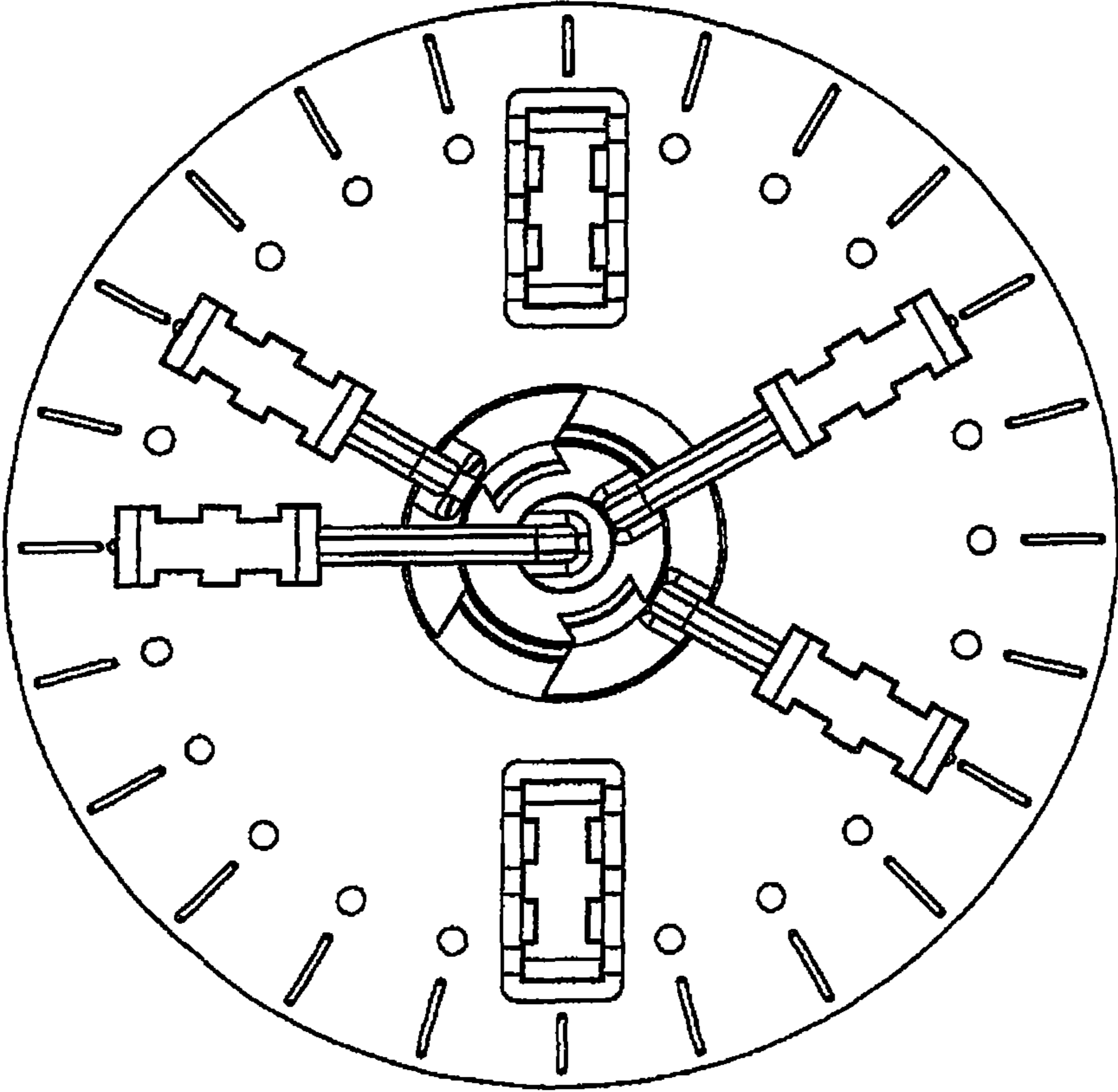


Figure 1

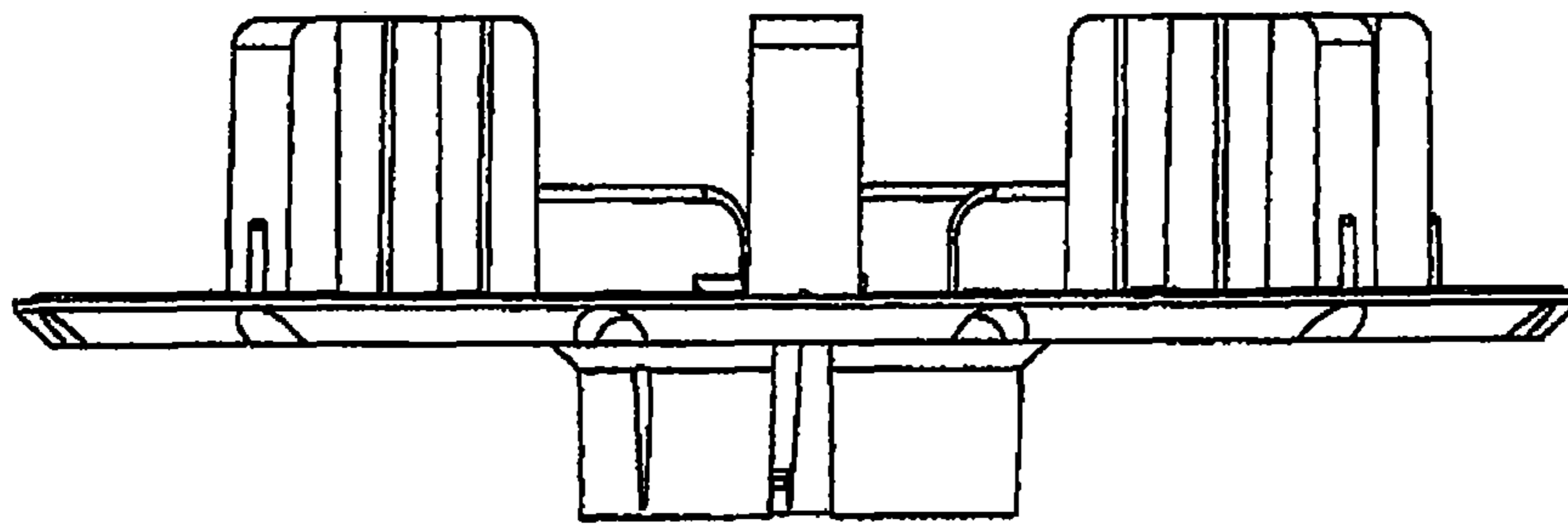


Figure 2

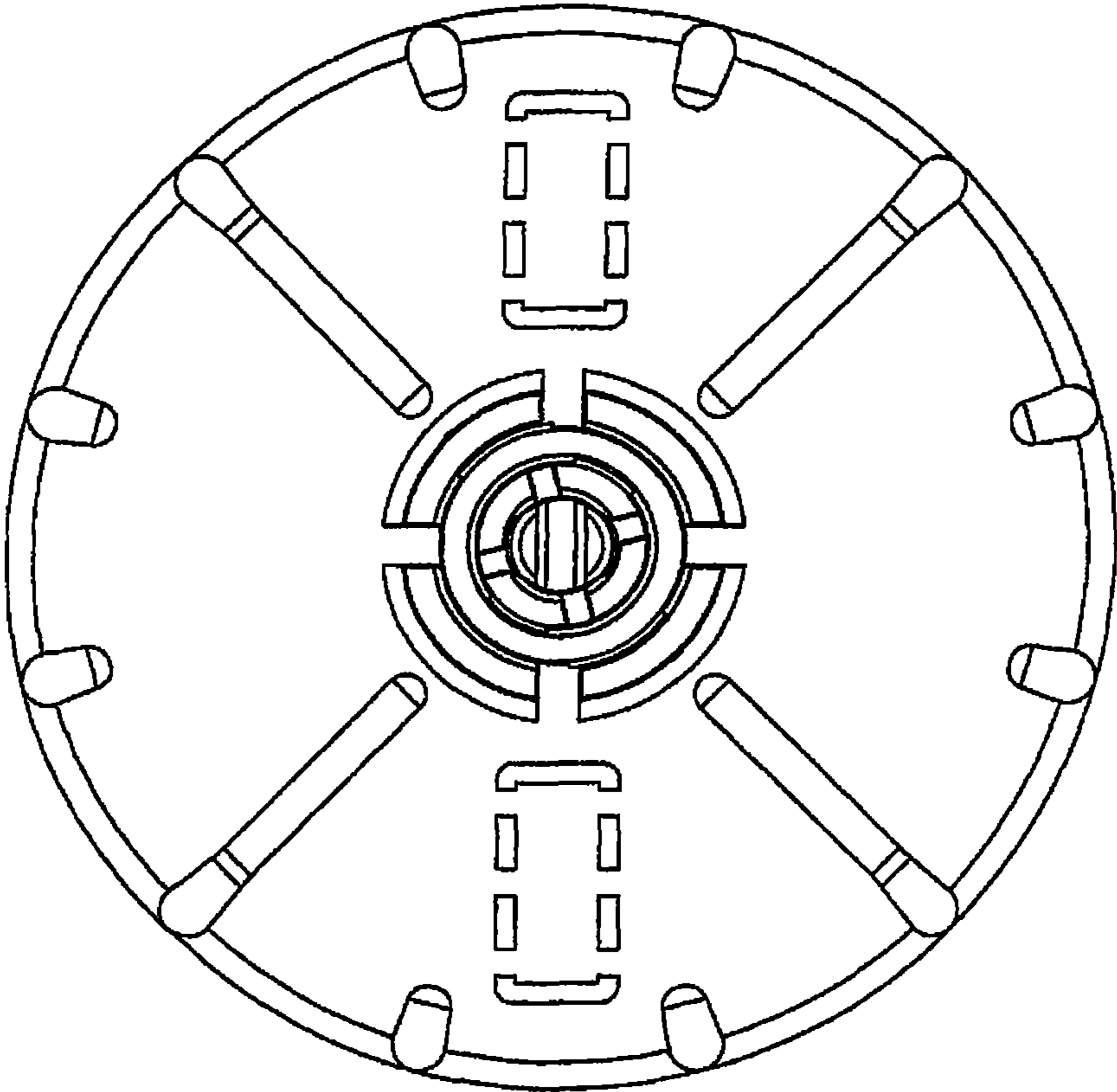


Figure 3

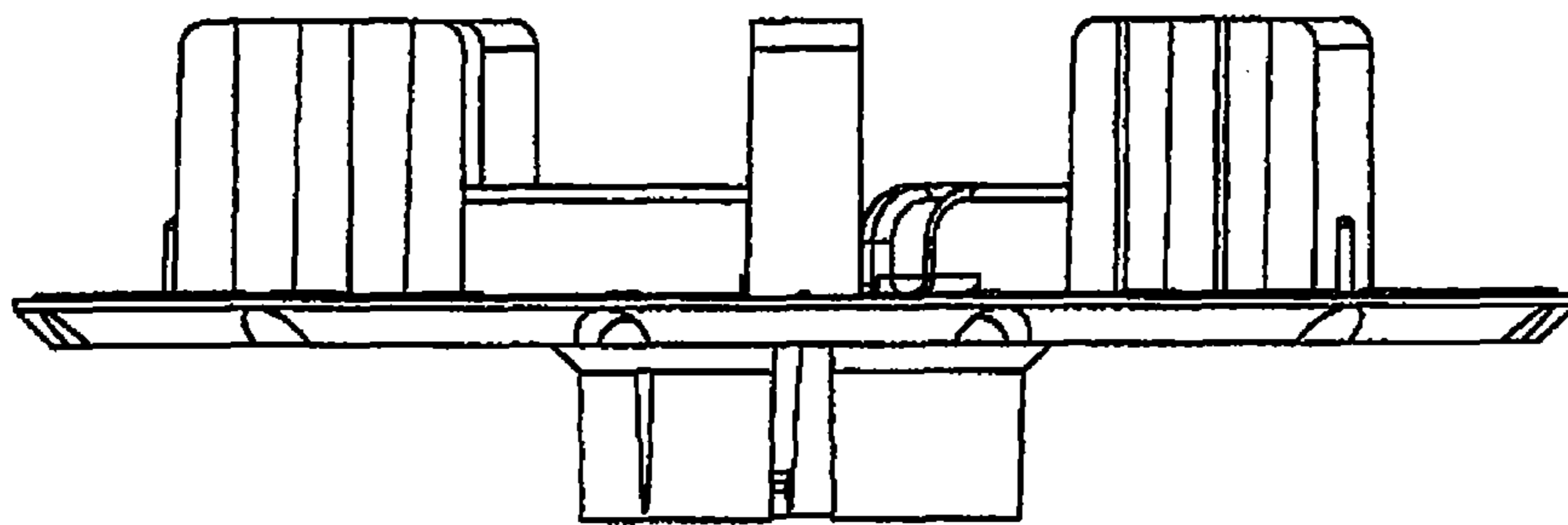


Figure 4

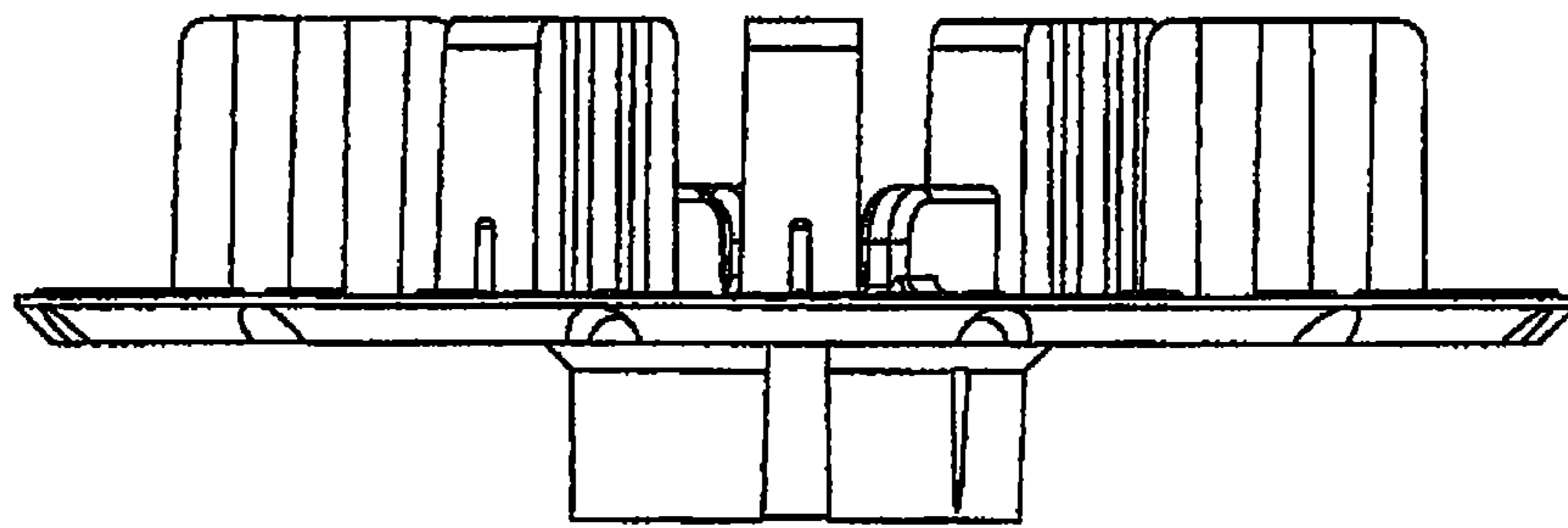


Figure 5

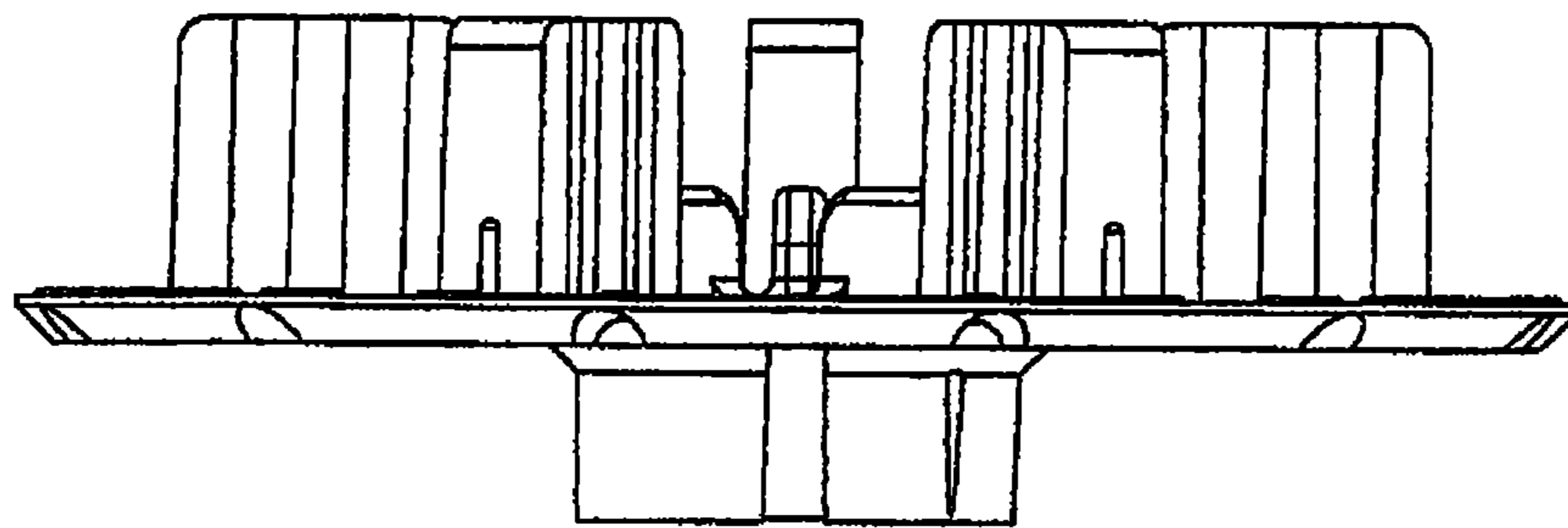


Figure 6

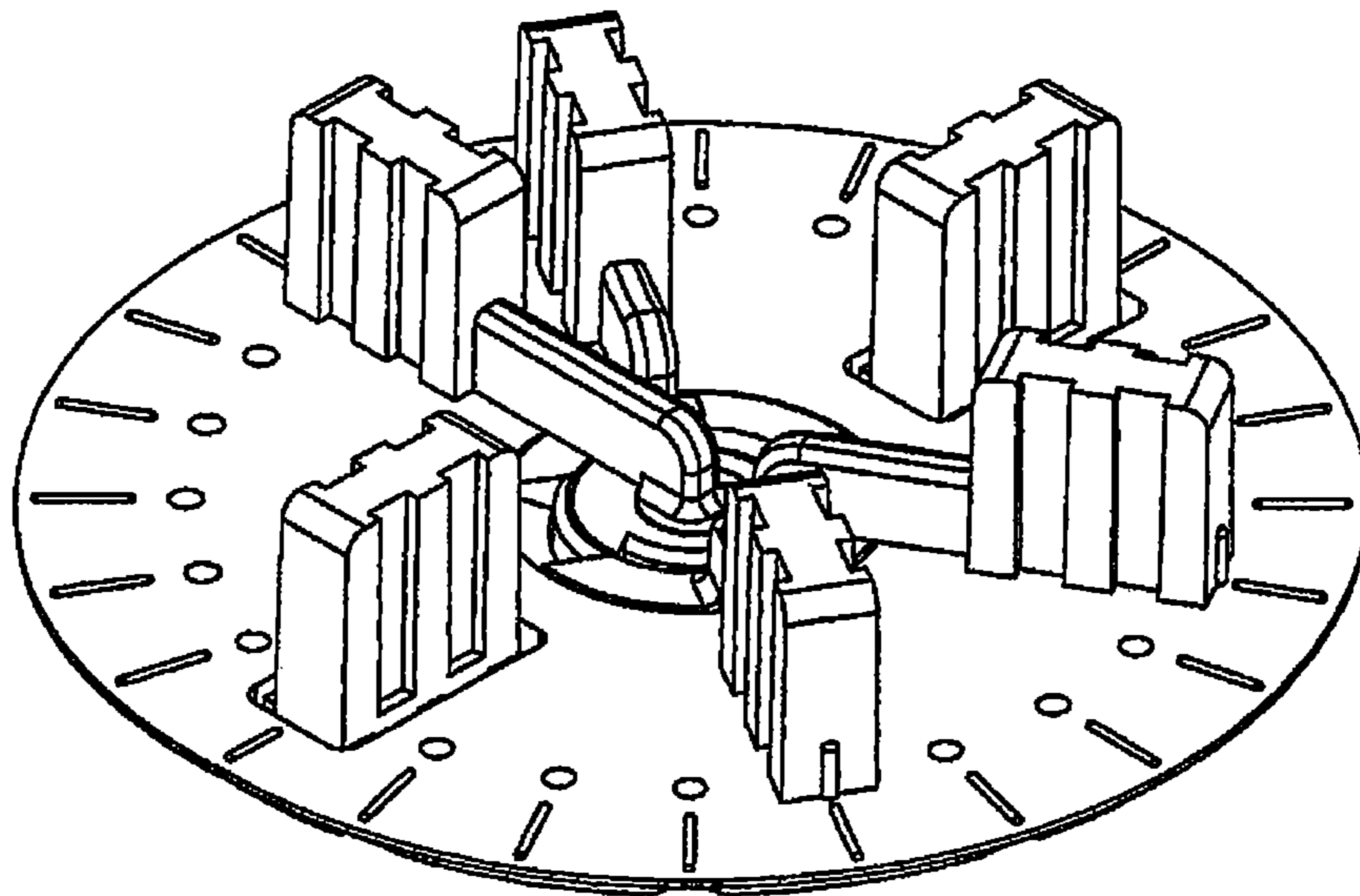


Figure 7



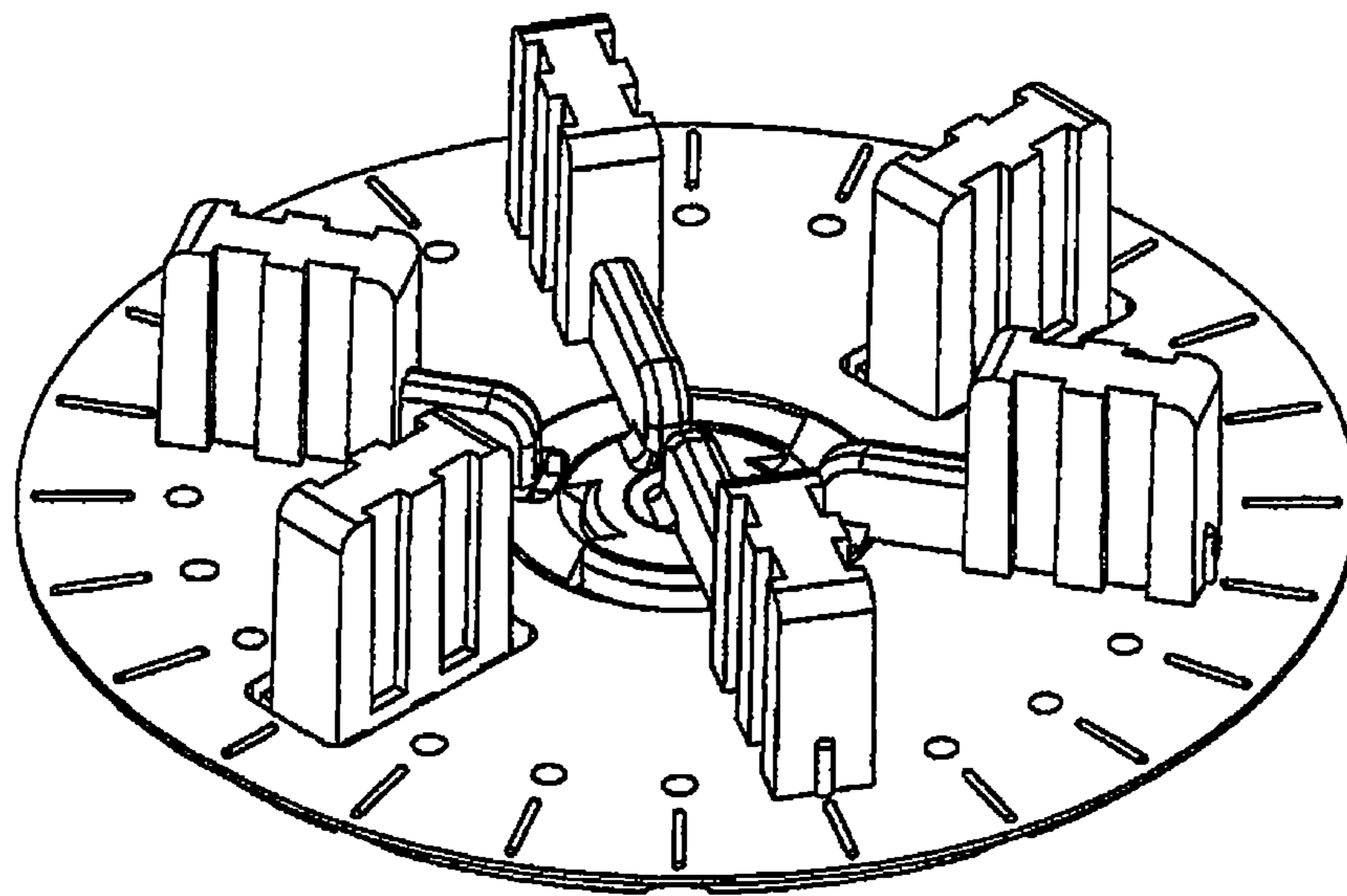


Figure 8

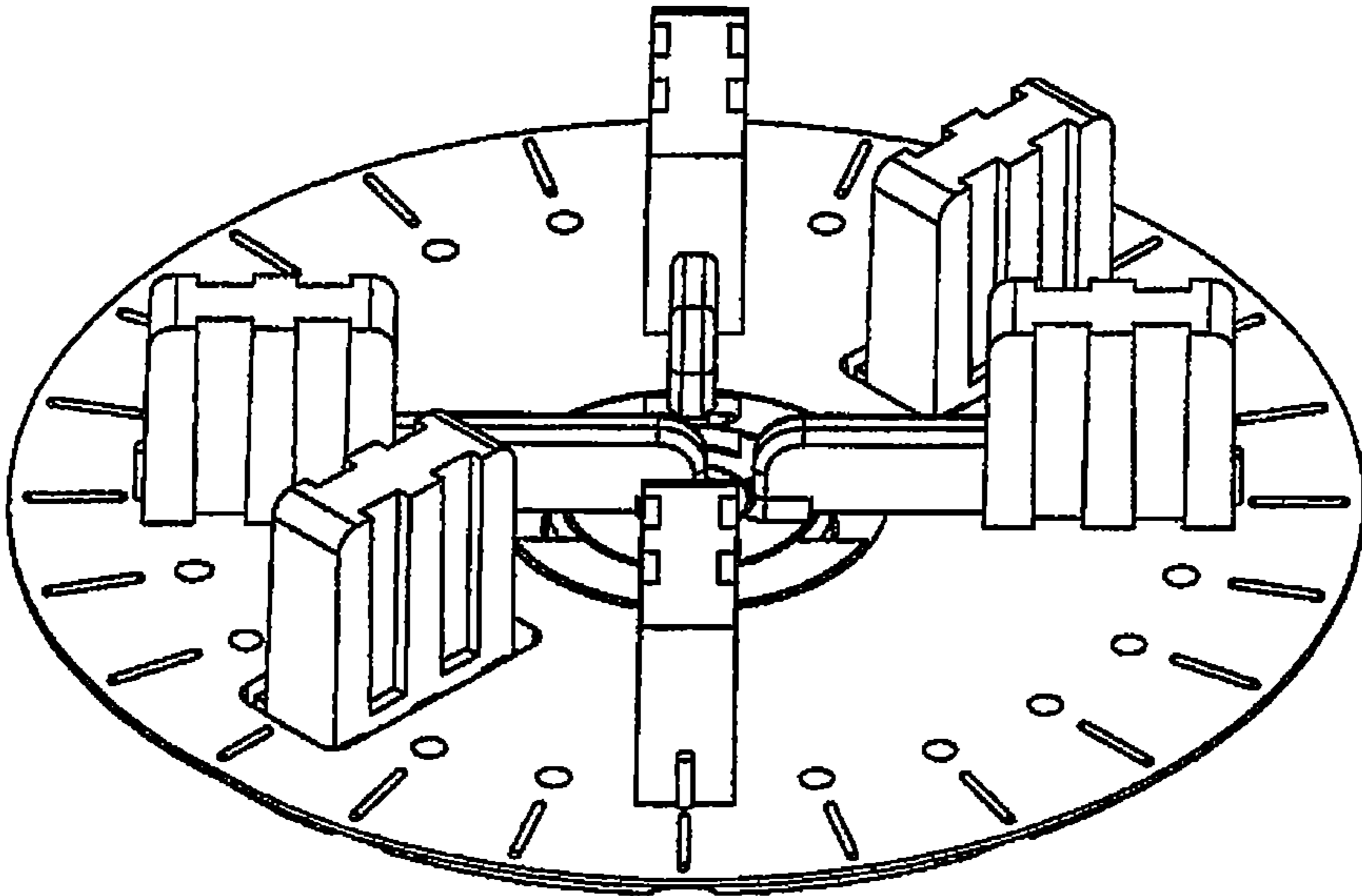


Figure 9

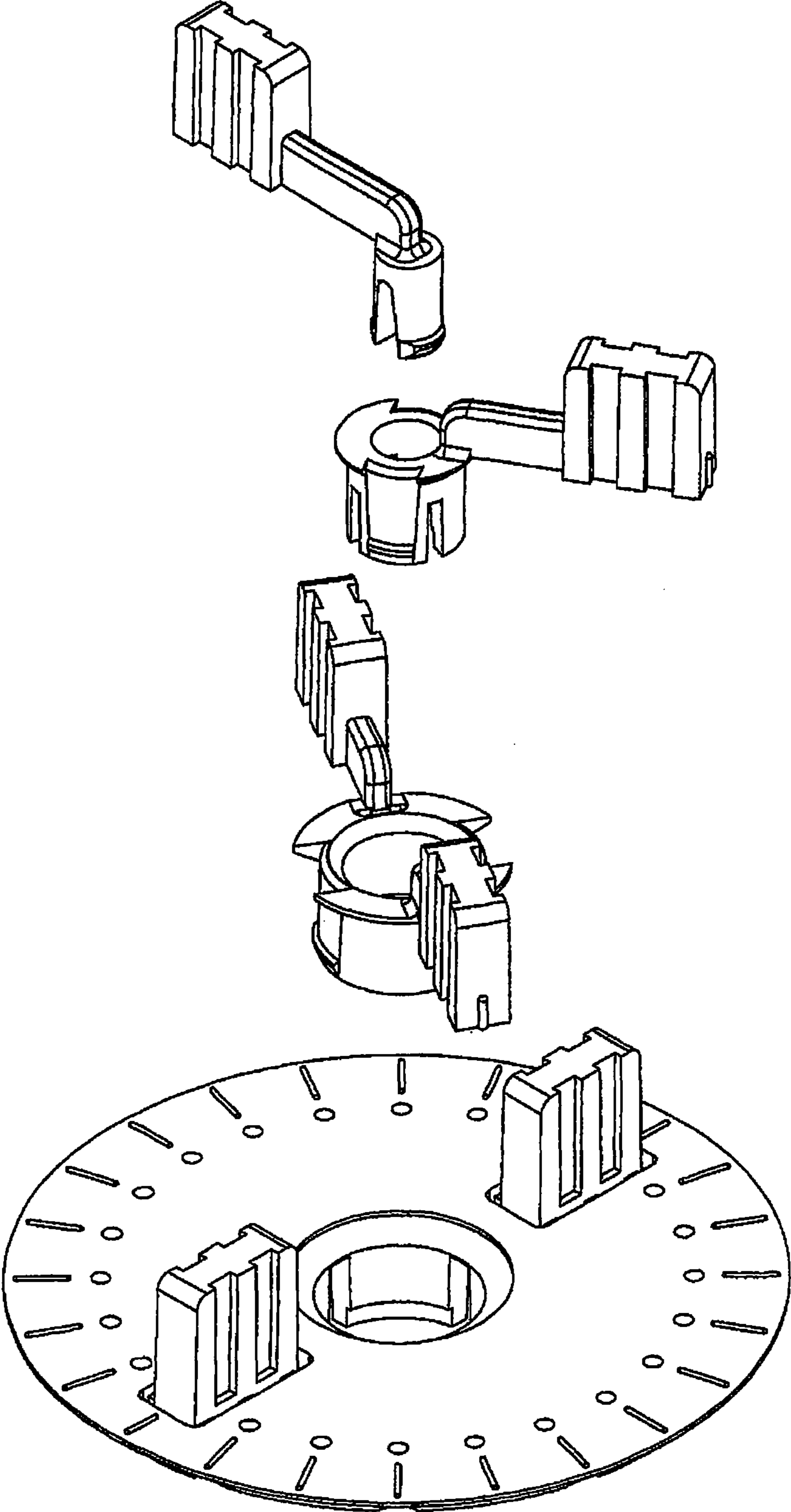


Figure 10