



US00D733527S

(12) **United States Design Patent**
Tatina

(10) **Patent No.:** **US D733,527 S**
(45) **Date of Patent:** **** Jul. 7, 2015**

(54) **TIRE STRAP FOR SECURING A VEHICLE DURING TRANSPORT**

(75) Inventor: **Richard A. Tatina**, Countryside, IL (US)

(73) Assignee: **Holland LP**, Crete, IL (US)

(**) Term: **14 Years**

(21) Appl. No.: **29/420,373**

(22) Filed: **May 8, 2012**

(51) **LOC (10) Cl.** **08-05**

(52) **U.S. Cl.**
USPC **D8/354**

(58) **Field of Classification Search**
USPC D8/349, 350, 353, 354, 355, 356, 359,
D8/366, 367, 373, 374, 394; D11/1, 2, 85,
D11/200, 201, 206, 210, 212, 214-218;
D12/133, 168; D24/190, 193;
D29/100; D30/134, 139, 142; D3/327,
D3/328

CPC B60C 27/00; B60C 27/0238; B60C 27/0261;
B60C 27/0269; B60C 27/0276; B60C 27/08;
A45F 3/00; A45F 3/14; A44B 11/00; A44B
11/20; B60R 1/00; D03D 1/0005; B60P
3/073; B60P 3/075

See application file for complete search history.

(56) **References Cited**

U.S. PATENT DOCUMENTS

2,637,364	A *	5/1953	Woodworth	152/237
3,161,218	A *	12/1964	Silberg et al.	152/237
D267,435	S *	12/1982	Hubbard et al.	D24/190
D289,698	S *	5/1987	Bates	D30/142
D293,497	S *	12/1987	Bird	D30/134
D367,949	S *	3/1996	Vallance	D29/100
D373,750	S *	9/1996	Gunderson	D12/133

D379,047	S *	5/1997	Richard	D6/601
D379,774	S *	6/1997	Riley	D11/3
D402,539	S *	12/1998	Pingel et al.	D8/359
D415,837	S *	10/1999	Williams	D24/193
D417,959	S *	12/1999	Albaugh et al.	D3/328
D440,144	S *	4/2001	Todd	D8/354
D449,136	S *	10/2001	Vallance	D29/124
D475,342	S *	6/2003	Mielnik	D12/417
D509,065	S *	9/2005	Koenig	D3/327
D520,565	S *	5/2006	Gonzales	D19/89

(Continued)

OTHER PUBLICATIONS

Photograph—Polyester Webbing Strap—1990.

(Continued)

Primary Examiner — Eric Goodman

Assistant Examiner — Bao-Yen Nguyen

(74) *Attorney, Agent, or Firm* — Schiff Hardin LLP

(57) **CLAIM**

The ornamental design for a tire strap for securing a vehicle during transport, as shown and described.

DESCRIPTION

FIG. 1 is a perspective view of a tire strap showing my new design;

FIG. 2 is a top view of the tire strap shown in FIG. 1;

FIG. 3 is a side view of the tire strap shown in FIG. 1;

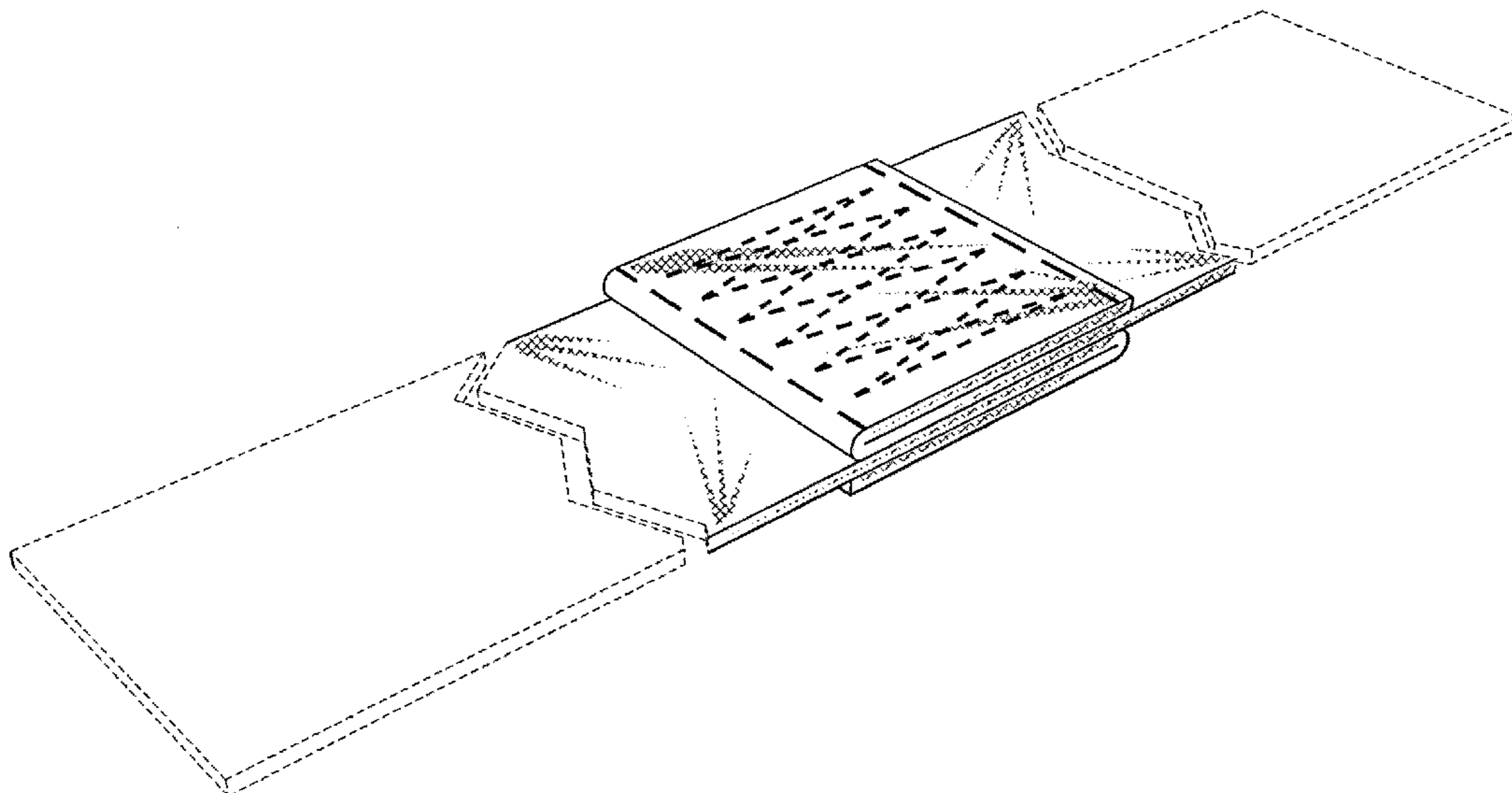
FIG. 4 is a left end view of the tire strap shown in FIG. 1;

FIG. 5 is a right end view of the tire strap shown in FIG. 1; and, FIG. 6 is a bottom view of the tire strap shown in FIG. 1.

The overall length of each end of the tire strap is shown in light dashed lines after the respective drawing breaks and forms no part of the claimed design.

The stitching pattern within the claimed surface depicts a portion of the tire strap and forms a part of the claimed design.

1 Claim, 2 Drawing Sheets



(56)

References Cited

U.S. PATENT DOCUMENTS

D541,142 S * 4/2007 Geiger D8/383
D542,372 S * 5/2007 Strickland D22/134
D576,075 S * 9/2008 Freeman D11/218
D625,579 S * 10/2010 Lee et al. D8/349
D655,090 S * 3/2012 Puckett et al. D3/327
D657,503 S * 4/2012 January D30/139

D664,890 S * 8/2012 Featherston D11/201
D665,963 S * 8/2012 Liljedahl D34/28

OTHER PUBLICATIONS

Photograph—Polyester Webbing Strap—2004.
Photograph—Polyester Webbing Strap—2009.

* cited by examiner

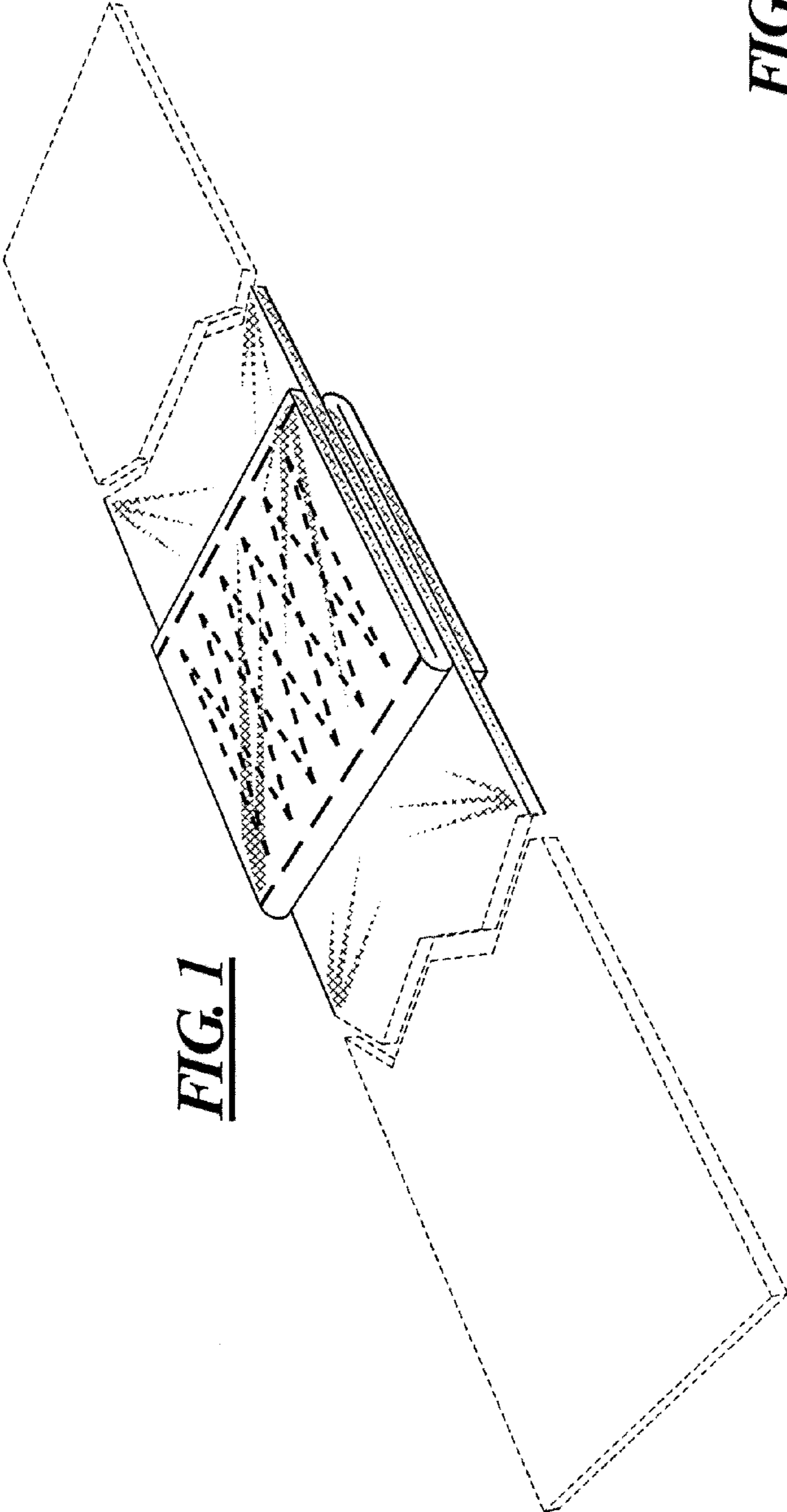


FIG. 1

FIG. 2

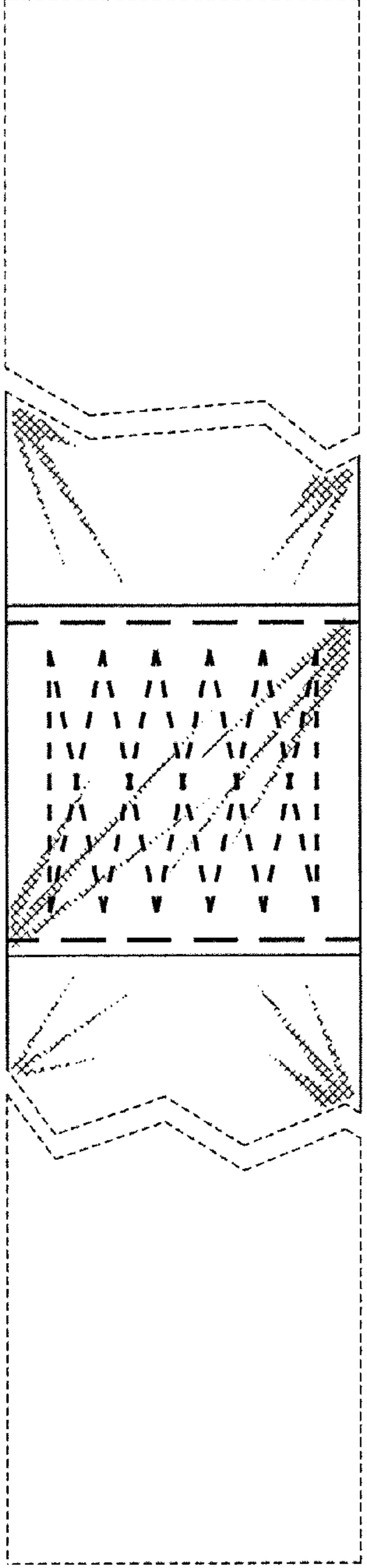


FIG. 3



FIG. 4

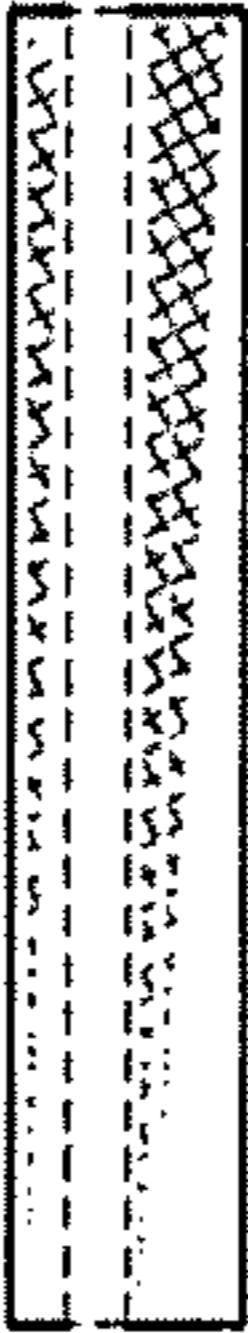


FIG. 5



FIG. 6

