



US00D733524S

(12) **United States Design Patent**  
**De Rick et al.**

(10) **Patent No.:** **US D733,524 S**

(45) **Date of Patent:** **\*\* Jul. 7, 2015**

(54) **MOUNTING DEVICE**

(75) Inventors: **Jan De Rick**, Geraardsbergen (BE);  
**Bruno Vermeulen**, Maaseik (BE)

(73) Assignee: **Spanolux NV-Divisie Balterio**, Vielsalm (BE)

(\*\*) Term: **14 Years**

(21) Appl. No.: **29/420,063**

(22) Filed: **May 3, 2012**

(30) **Foreign Application Priority Data**

Nov. 4, 2011 (WO) ..... 634945101

(51) **LOC (10) Cl.** ..... **08-05**

(52) **U.S. Cl.**  
USPC ..... **D8/349**

(58) **Field of Classification Search**  
USPC ..... D8/300, 303, 336, 349, 354, 355, 363,  
D8/373; D6/500, 518, 519, 521, 522, 523,  
D6/524, 546, 550; 248/175, 200, 217.4,  
248/251, 300, 302; 211/100, 105.1, 105.2,  
211/123; D20/41, 42, 43; D25/113–126,  
D25/136–138; 52/242, 274, 275, 478, 479,  
52/480, 482, 578, 582.1, 583.1, 584.1  
See application file for complete search history.

(56) **References Cited**

**U.S. PATENT DOCUMENTS**

3,420,028 A \* 1/1969 Barker ..... 52/588.1  
D272,787 S \* 2/1984 Rumbaugh ..... D6/552  
D301,435 S \* 6/1989 Martin ..... D12/49  
D320,090 S \* 9/1991 Ermellini ..... D25/136  
D336,687 S \* 6/1993 Schremmer ..... D25/138  
D344,673 S \* 3/1994 Effron ..... D8/373  
D354,904 S \* 1/1995 Halsten ..... D8/356  
D358,979 S \* 6/1995 Reid ..... D8/356  
D360,821 S \* 8/1995 Snow ..... D8/357

D361,259 S \* 8/1995 LoJacono, Jr. .... D8/356  
D361,612 S \* 8/1995 Hill et al. .... D21/761  
D378,785 S \* 4/1997 Gearing ..... D25/119  
D401,497 S \* 11/1998 Terrell ..... D8/356  
D409,896 S \* 5/1999 Kaplan ..... D8/356  
D410,580 S \* 6/1999 Kaffenberger, Sr. .... D34/38  
D414,678 S \* 10/1999 Sanders ..... D8/354  
D419,022 S \* 1/2000 Cadorette ..... D6/580  
D421,067 S \* 2/2000 Weiller ..... D20/43  
D425,402 S \* 5/2000 Welborn et al. .... D8/354  
D429,995 S \* 8/2000 Lewis ..... D8/354  
D436,835 S \* 1/2001 Snyder ..... D8/349  
D442,063 S \* 5/2001 Snyder ..... D8/349  
D481,616 S \* 11/2003 Seketa et al. .... D8/373  
D537,325 S \* 2/2007 Wolff et al. .... D8/381  
D537,326 S \* 2/2007 Wolff et al. .... D8/381  
D560,474 S \* 1/2008 Thru ..... D8/382  
D567,635 S \* 4/2008 Nankervis ..... D8/354  
D592,945 S \* 5/2009 Mahan ..... D8/381

(Continued)

*Primary Examiner* — Eric Goodman

*Assistant Examiner* — Bao-Yen Nguyen

(74) *Attorney, Agent, or Firm* — Symbus Law Group, LLC;  
Clifford D. Hyra

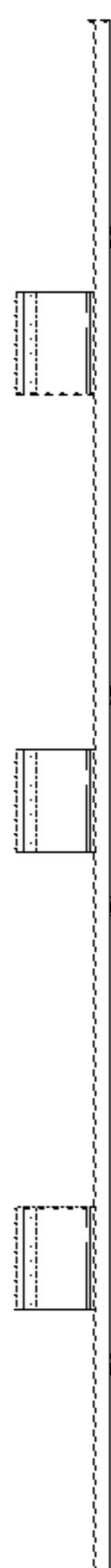
(57) **CLAIM**

The ornamental design for a mounting device, as shown and described.

**DESCRIPTION**

FIG. 1 is a top view of a mounting device.  
FIG. 2 is a bottom view of a mounting device.  
FIG. 3 is a front view of a mounting device.  
FIG. 4 is a rear view of a mounting device.  
FIG. 5 is a perspective view of a mounting device showing the rear, right side, and top.  
FIG. 6 is a perspective view of a mounting device showing the front, left side, and top.  
FIG. 7 is a right side view of a mounting device; and,  
FIG. 8 is a left side view of a mounting device.

**1 Claim, 3 Drawing Sheets**



(56)

**References Cited**

U.S. PATENT DOCUMENTS

D595,118 S \* 6/2009 Sjoqvist ..... D8/356  
D596,929 S \* 7/2009 Lawrence et al. .... D8/356  
D602,764 S \* 10/2009 Pae et al. .... D8/356  
D615,385 S \* 5/2010 Arendt ..... D8/349

D628,459 S \* 12/2010 Minkley et al. .... D8/349  
D638,687 S \* 5/2011 Minkley et al. .... D8/349  
D640,123 S \* 6/2011 Stearns et al. .... D8/355  
D643,132 S \* 8/2011 MacKenzie ..... D25/126  
D649,863 S \* 12/2011 Meyer ..... D8/354

\* cited by examiner

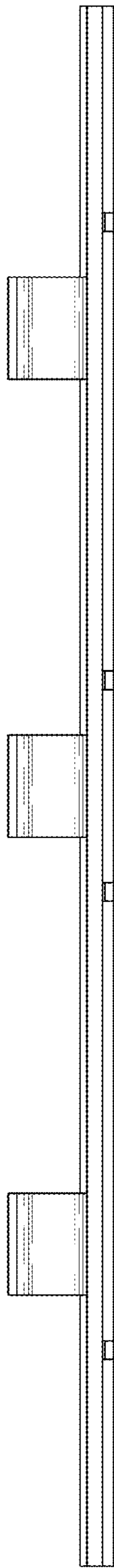


FIG. 1

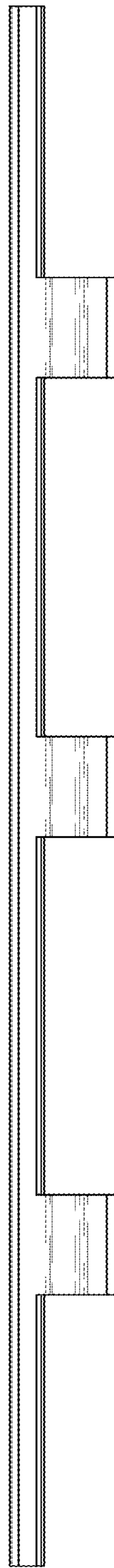


FIG. 2



FIG. 3



FIG. 4

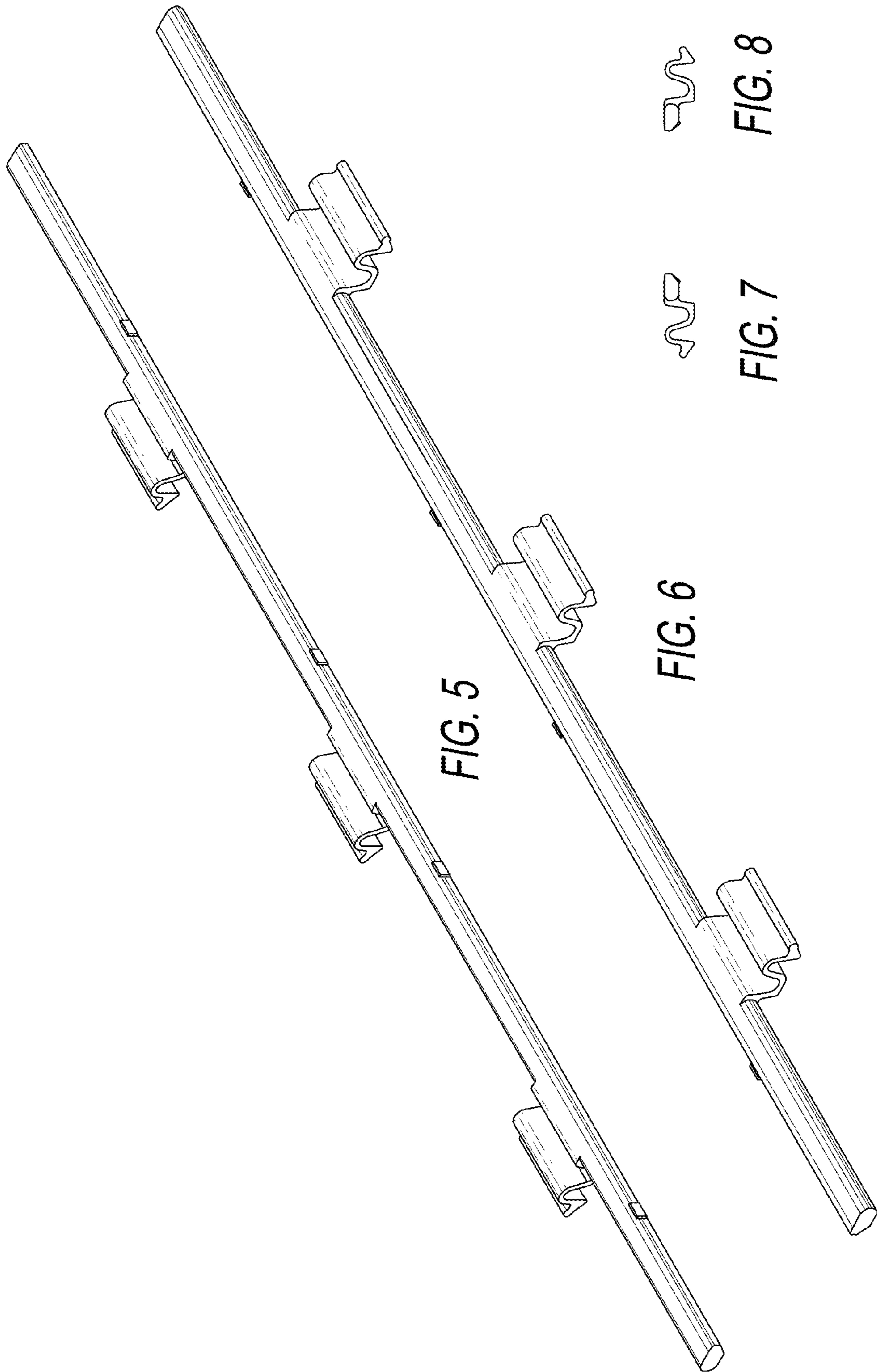


FIG. 5

FIG. 6

FIG. 7

FIG. 8