



US00D733522S

(12) **United States Design Patent**  
**Kim et al.**

(10) **Patent No.:** **US D733,522 S**  
(45) **Date of Patent:** **\*\* Jul. 7, 2015**

- (54) **DIGITAL DOOR LOCK**
- (71) Applicant: **SAMSUNG SDS Co., Ltd.**, Seoul (KR)
- (72) Inventors: **Jae Hoon Kim**, Seoul (KR); **Jeong Hoon Ha**, Gyeonggi-do (KR)
- (73) Assignee: **SAMSUNG SDS CO., LTD.**, Seoul (KR)
- (\*\*) Term: **14 Years**
- (21) Appl. No.: **29/494,407**
- (22) Filed: **Jun. 20, 2014**
- (51) **LOC (10) Cl.** ..... **08-07**
- (52) **U.S. Cl.**  
USPC ..... **D8/331**
- (58) **Field of Classification Search**  
USPC ..... D8/330, 331, 339, 343, 341, 300-303;  
70/14, 57, 57.1, 78, 141, 224, 237,  
70/DIG. 67, 129, 207, 213, 215; 292/336.3  
CPC ..... E05B 47/00; E05B 47/06; E05B 37/00;  
E05B 49/00  
See application file for complete search history.

D545,172	S	*	6/2007	Kaiser et al.	.....	D8/331
D592,936	S	*	5/2009	Douglas et al.	.....	D8/350
8,079,240	B2	*	12/2011	Brown et al.	.....	70/277
8,331,544	B2	*	12/2012	Kraus et al.	.....	379/127.01
D682,656	S	*	5/2013	Cramer et al.	.....	D8/331
D686,056	S	*	7/2013	Li	.....	D8/338
D694,093	S	*	11/2013	Mostert	.....	D8/334
D698,222	S	*	1/2014	Guo	.....	D8/330

\* cited by examiner

*Primary Examiner* — Prabhakar Deshmukh  
(74) *Attorney, Agent, or Firm* — Harness, Dickey & Pierce, P.L.C.

(57) **CLAIM**  
The ornamental design for a digital door lock, as shown and described.

**DESCRIPTION**

FIG. 1 is a perspective view of the digital door lock;  
FIG. 2 is a front view of the digital door lock shown in FIG. 1;  
FIG. 3 is a rear view of the digital door lock shown in FIG. 1;  
FIG. 4 is a left view of the digital door lock shown in FIG. 1;  
FIG. 5 is a right view of the digital door lock shown in FIG. 1;  
FIG. 6 is a top view of the digital door lock shown in FIG. 1;  
FIG. 7 is a bottom view of the digital door lock shown in FIG. 1; and,  
FIG. 8 is a view illustrating a state in which the front display of the digital door lock shown in FIG. 1 is activated to show information such as a company logo and “OPEN/CLOSE”.  
The details shown in broken lines are for illustrative purposes only and form no part of the claimed design.

**1 Claim, 7 Drawing Sheets**

- (56) **References Cited**  
U.S. PATENT DOCUMENTS  
4,126,341 A \* 11/1978 Bradstock ..... 292/201  
5,010,752 A \* 4/1991 Lin ..... 70/277  
6,145,353 A \* 11/2000 Doucet ..... 70/277  
D513,469 S \* 1/2006 Gao et al. .... D8/350  
7,091,429 B2 \* 8/2006 Case et al. .... 200/5 A

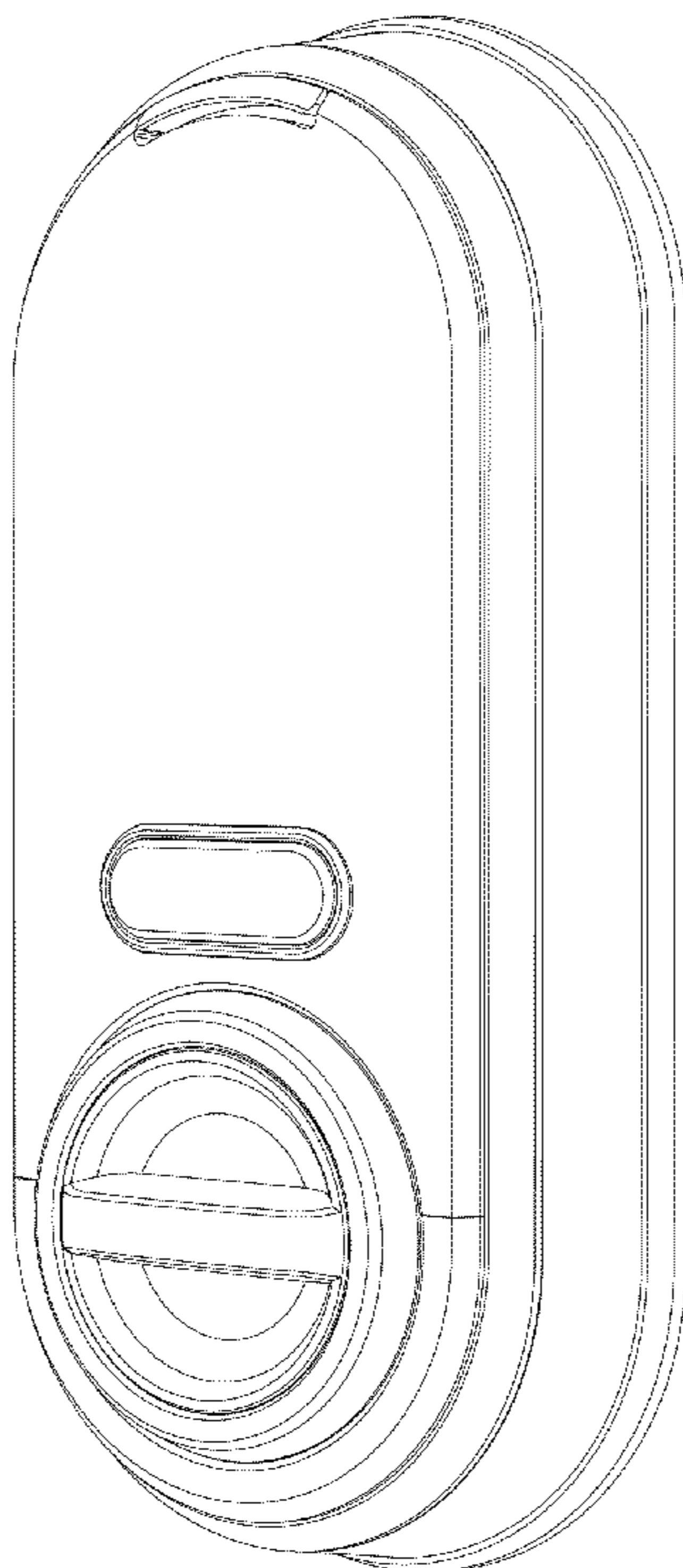


FIG. 1

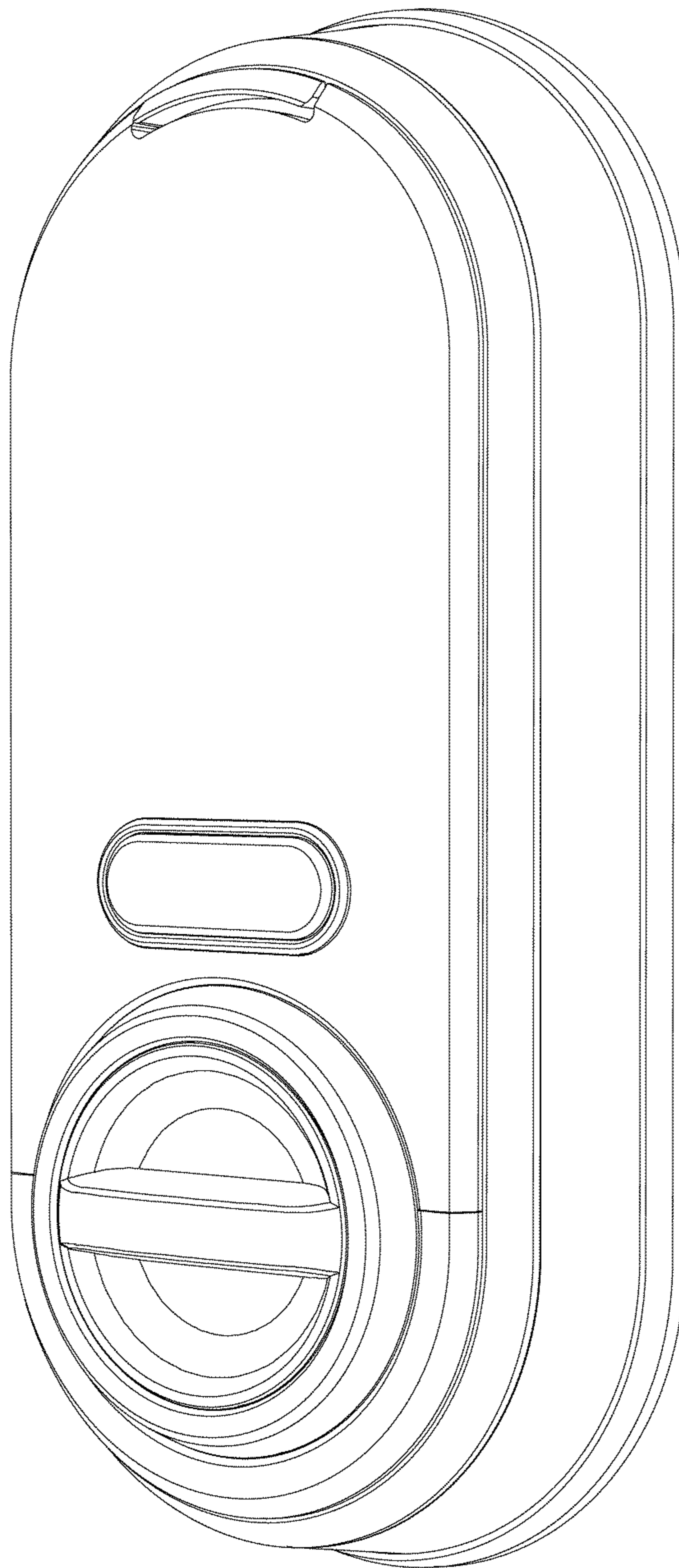
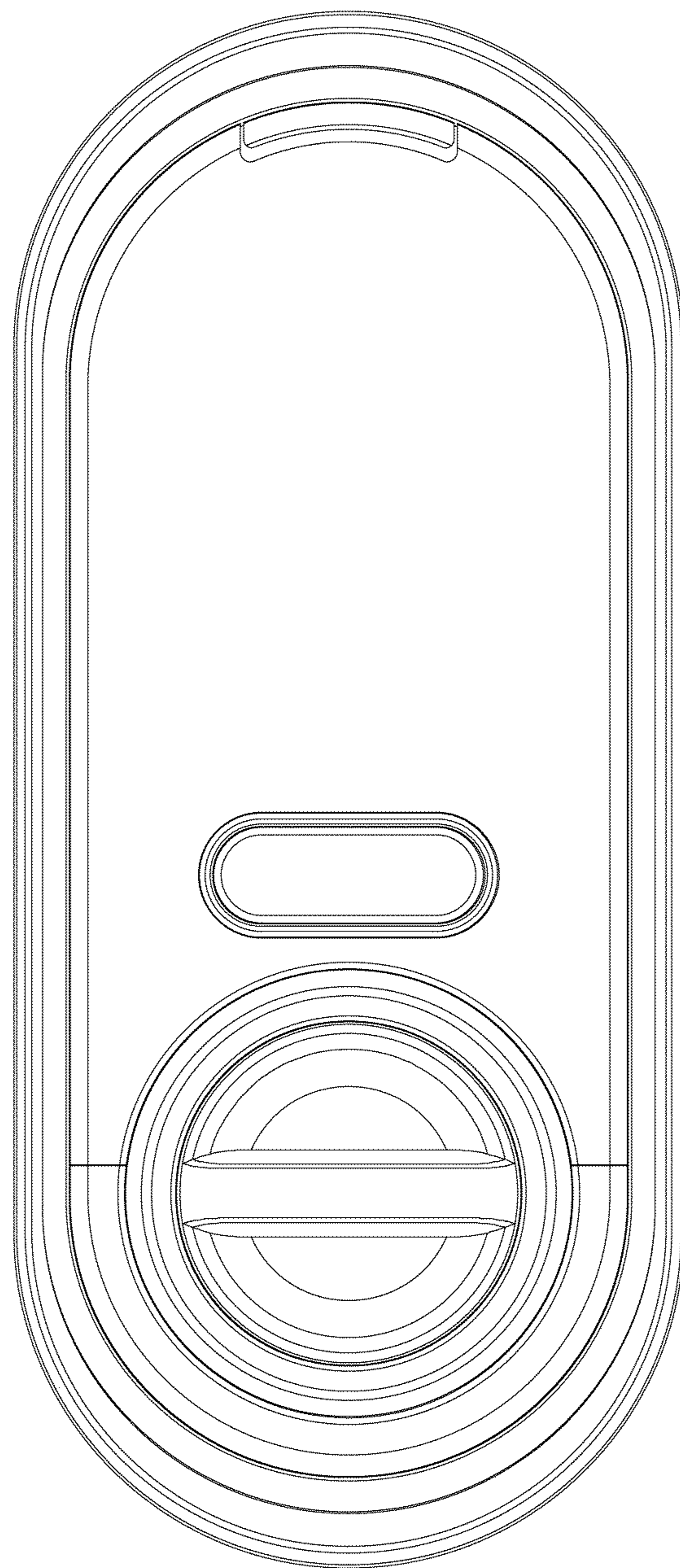


FIG. 2



**FIG. 3**

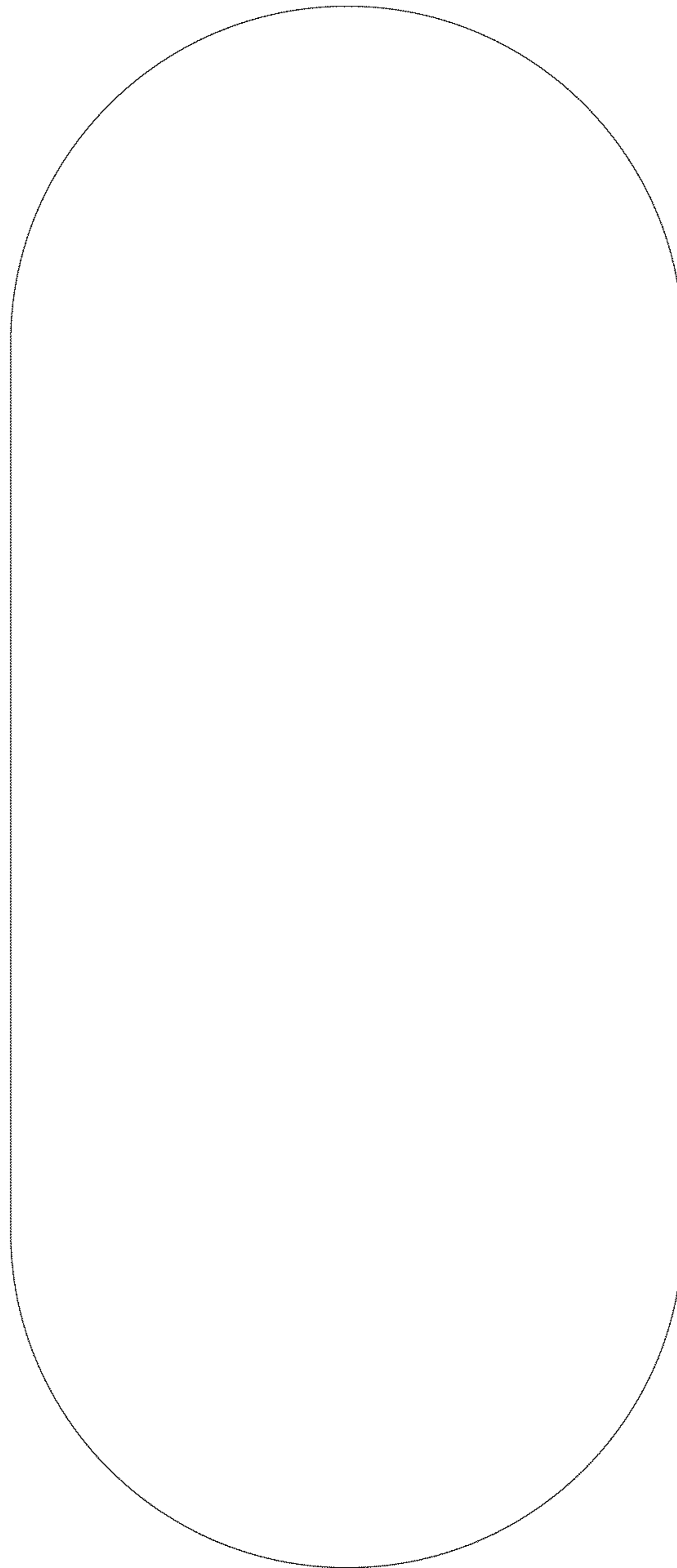


FIG. 4

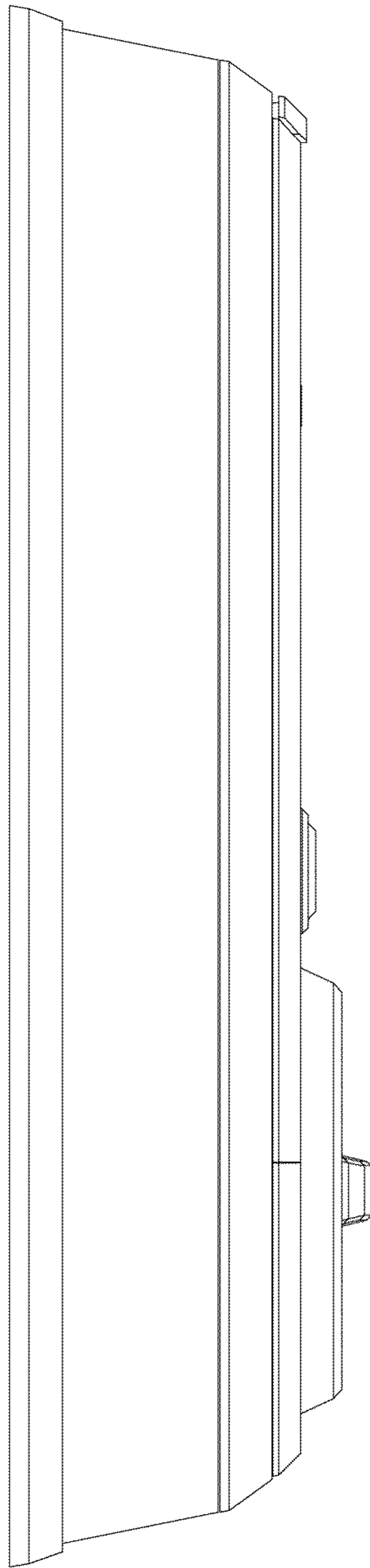


FIG. 5

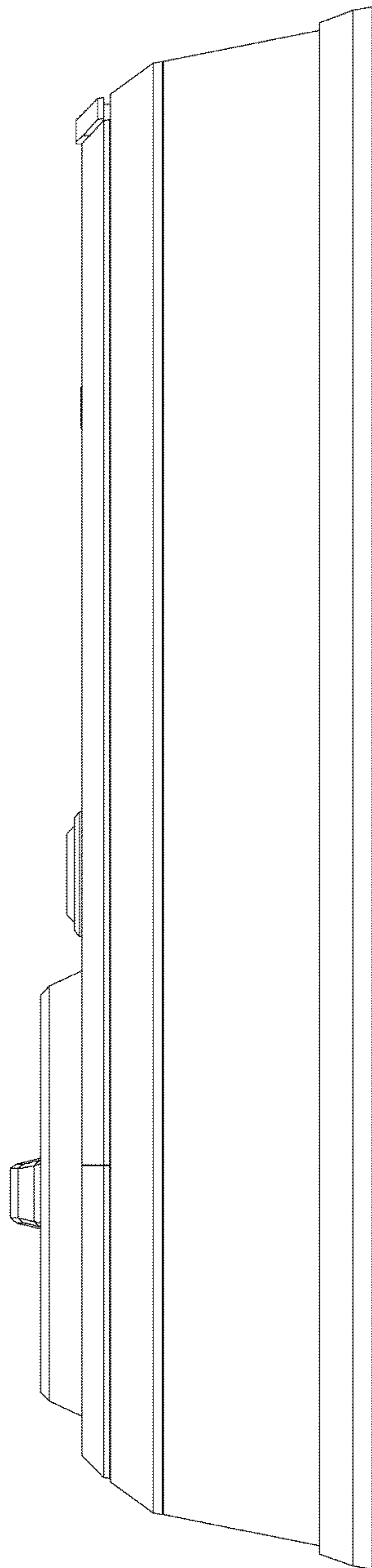


FIG. 6

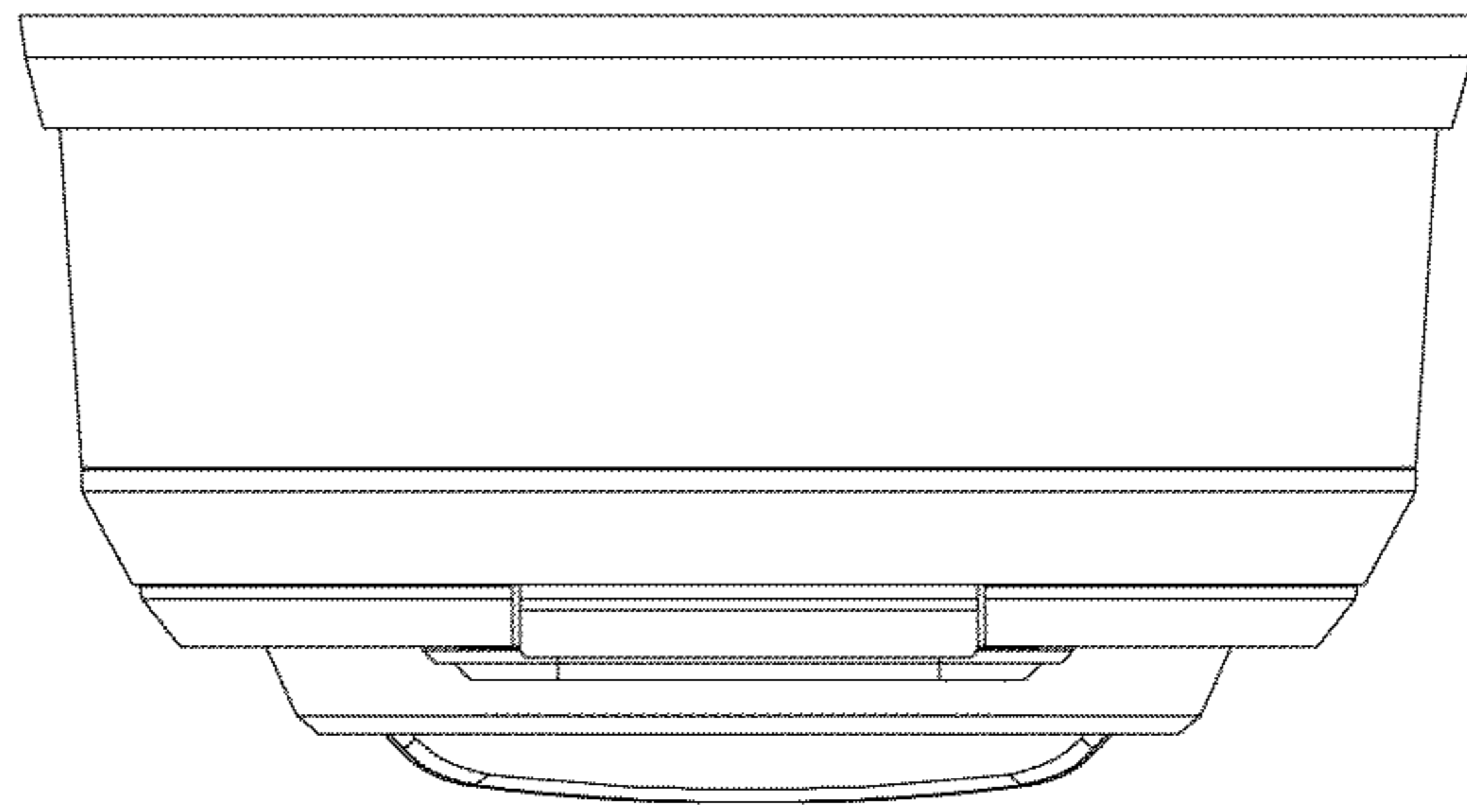


FIG. 7

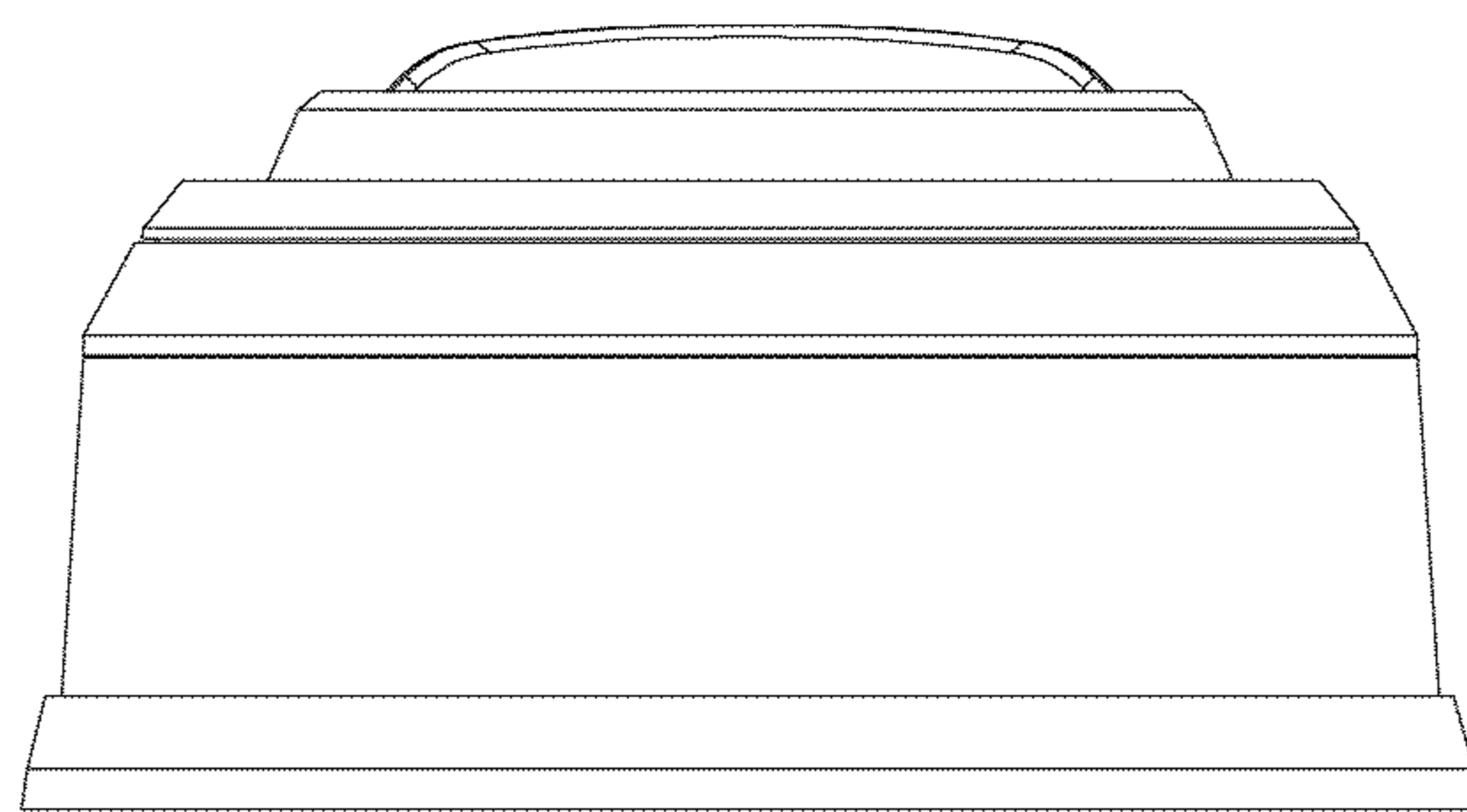


FIG. 8

