

US00D733521S

(12) **United States Design Patent**
Sotes Delgado

(10) **Patent No.:** **US D733,521 S**
(45) **Date of Patent:** **** Jul. 7, 2015**

(54) **CASING FOR COMBINATION LOCK**

(71) Applicant: **OJMAR, S.A.**, Elgoibar (Guipuzcoa)
(ES)

(72) Inventor: **Miguel Sotes Delgado**, Elgoibar (ES)

(73) Assignee: **OJMAR, S.A.**, Elgoibar (ES)

(**) Term: **14 Years**

(21) Appl. No.: **29/488,763**

(22) Filed: **Apr. 23, 2014**

(30) **Foreign Application Priority Data**

Mar. 5, 2014 (EM) DC/002418210-0001

(51) **LOC (10) Cl.** **08-07**

(52) **U.S. Cl.**
USPC **D8/331**

(58) **Field of Classification Search**
USPC D8/330, 331, 334, 300, 301, 302, 350;
70/14, 20-22, 57, 57.1, 284-286, 314,
70/DIG. 44
CPC E05B 29/00; E05B 37/00
See application file for complete search history.

(56) **References Cited**

U.S. PATENT DOCUMENTS

3,416,338	A *	12/1968	Gehrie	70/312
4,519,229	A *	5/1985	Yang	70/312
4,679,419	A *	7/1987	Scelba	70/312
7,437,903	B2 *	10/2008	Cheng	70/284
D580,739	S *	11/2008	Pelletier et al.	D8/331
7,712,341	B2 *	5/2010	Johansson et al.	70/278.3
D686,055	S *	7/2013	Li	D8/338
D686,056	S *	7/2013	Li	D8/338
D698,222	S *	1/2014	Guo	D8/330
D720,598	S *	1/2015	Dayanikli et al.	D8/330

* cited by examiner

Primary Examiner — Prabhakar Deshmukh
(74) *Attorney, Agent, or Firm* — Lucas & Mercanti, LLP

(57) **CLAIM**

The ornamental design for a casing for combination lock, as shown and described.

DESCRIPTION

FIG. 1 is a front view of a casing for combination lock;
FIG. 2 is a first side view thereof;
FIG. 3 is a top view thereof;
FIG. 4 is a bottom view thereof;
FIG. 5 is a rear view thereof;
FIG. 6 is a second side view thereof; and,
FIG. 7 is a top perspective view thereof.

1 Claim, 7 Drawing Sheets

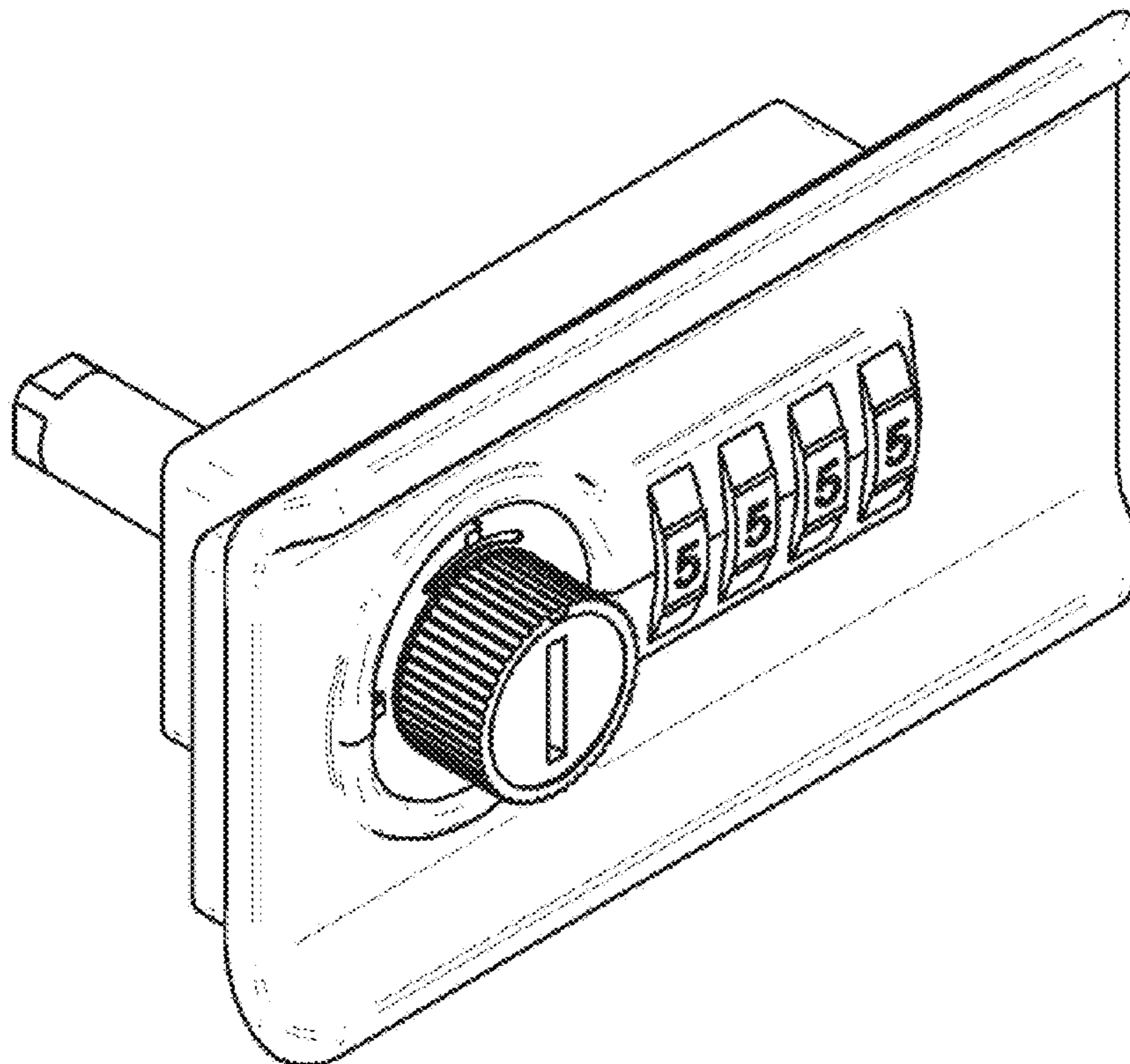


FIG. 1

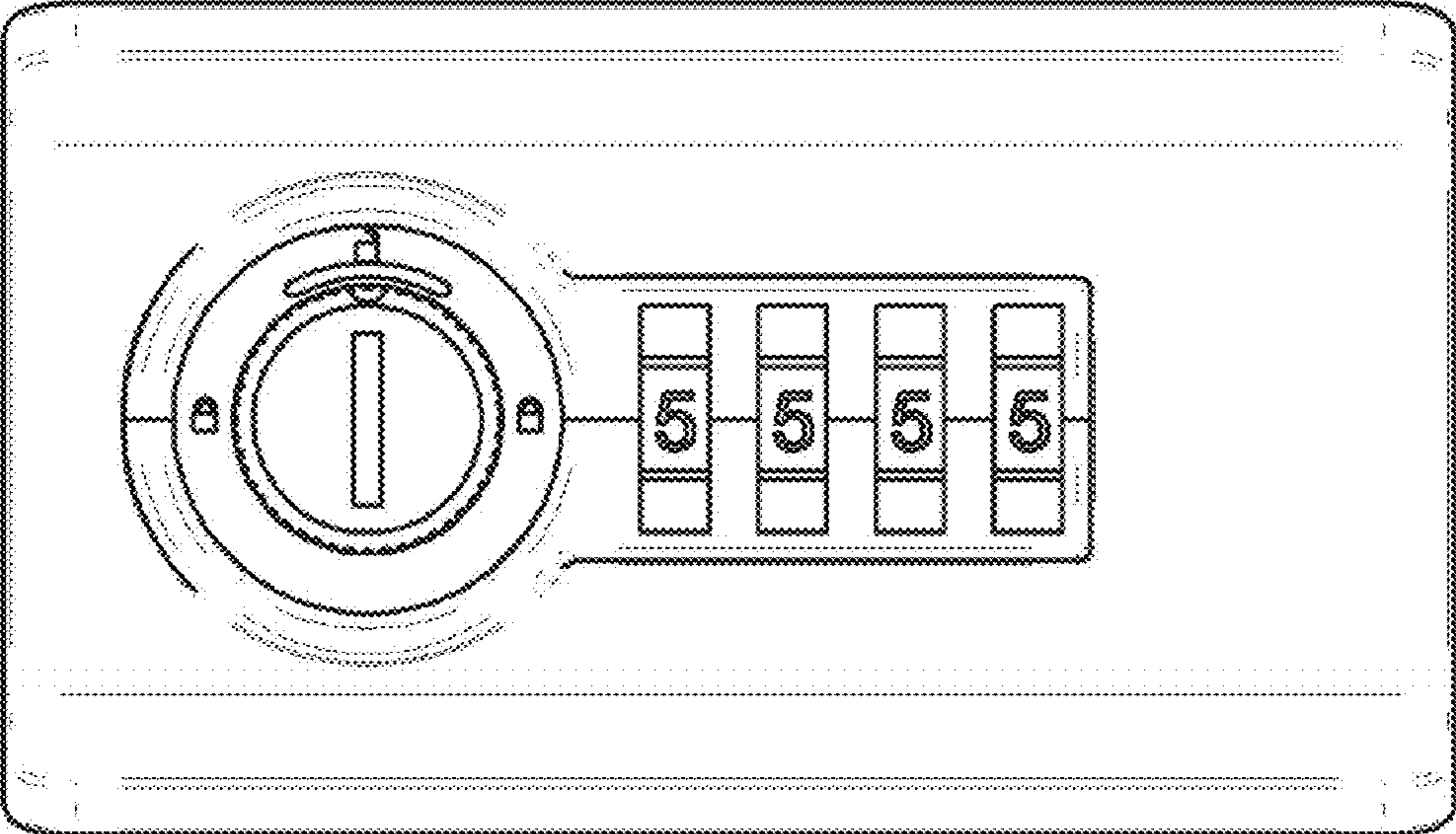


FIG. 2

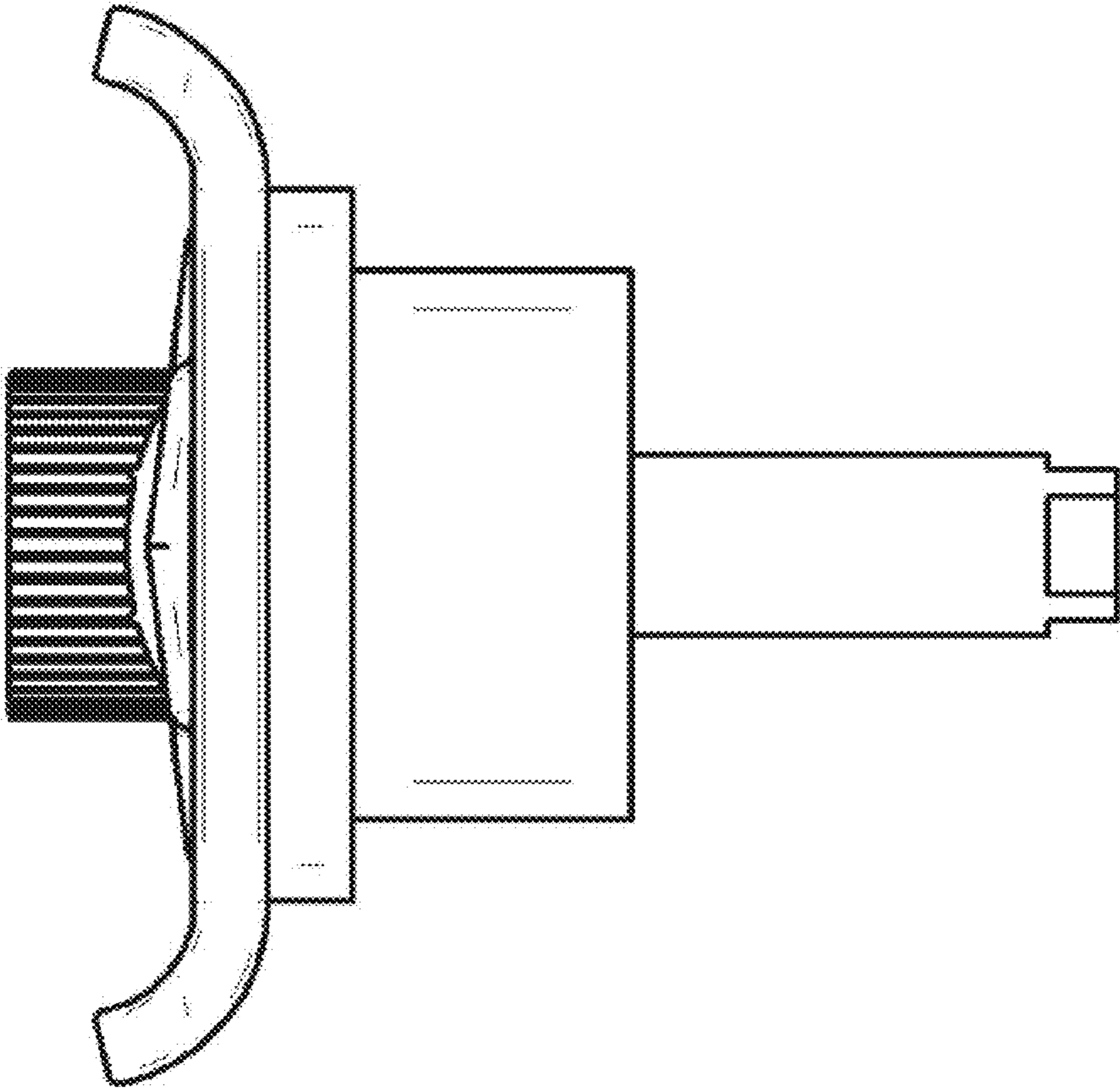


FIG. 3

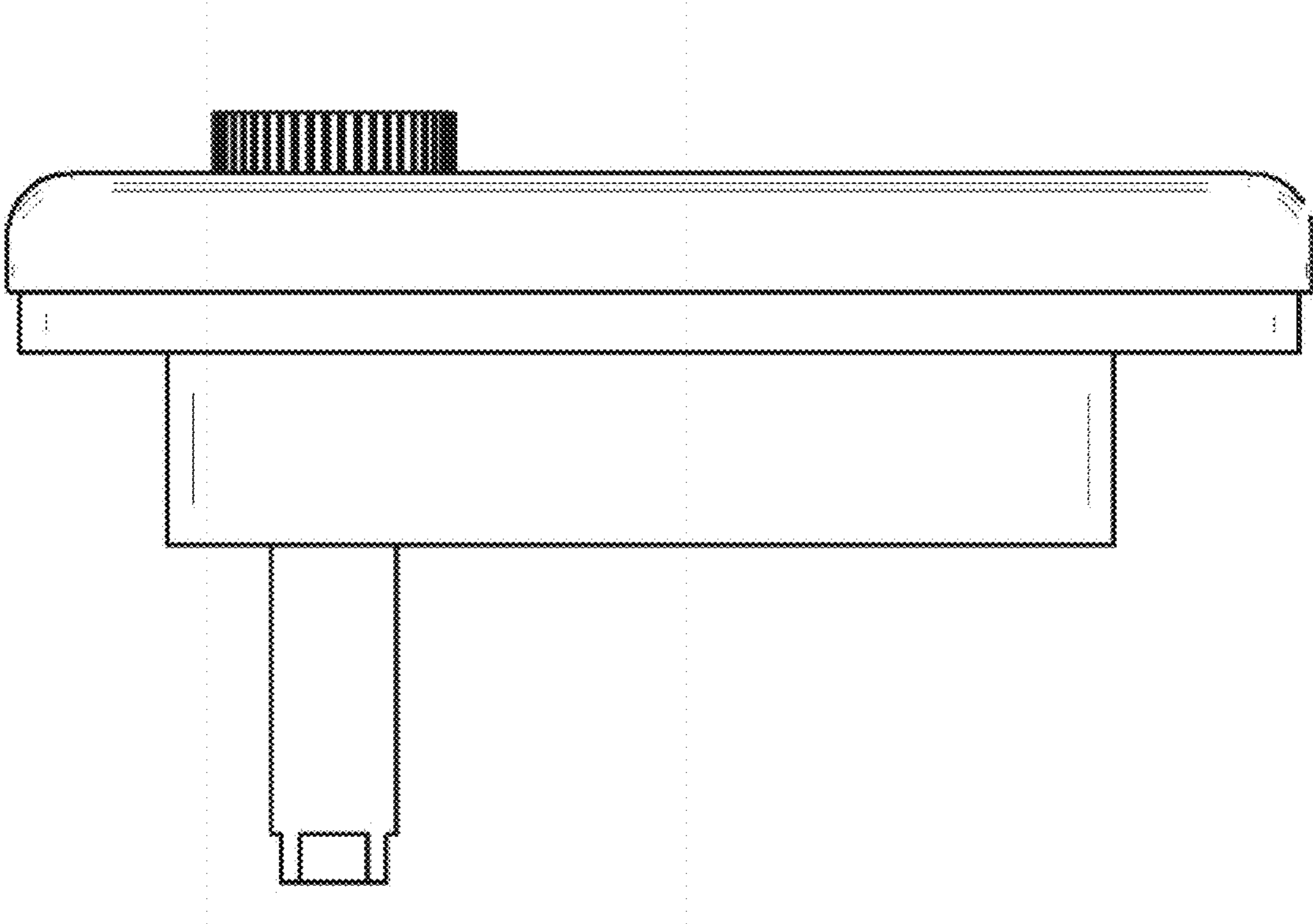


FIG. 4

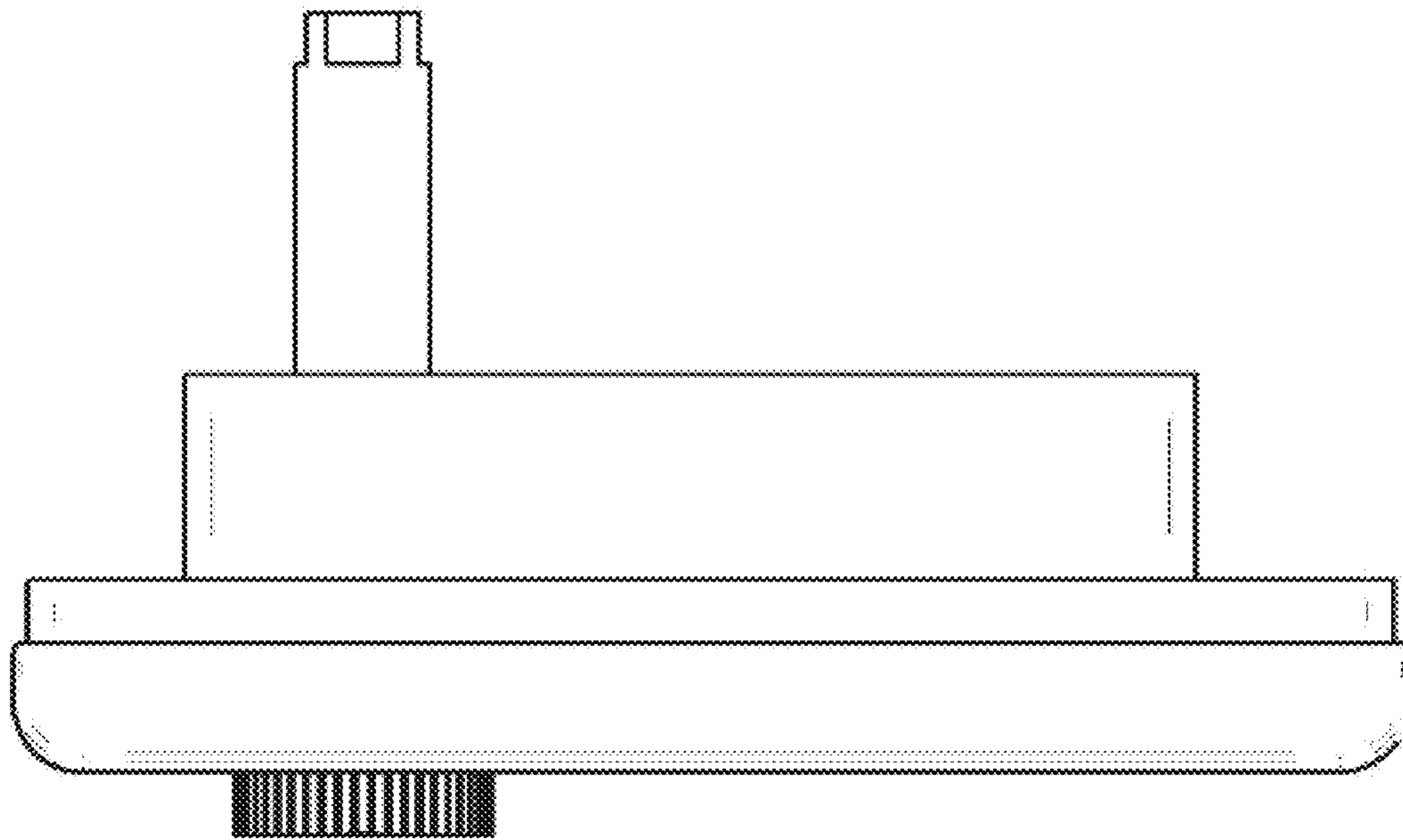


FIG. 5

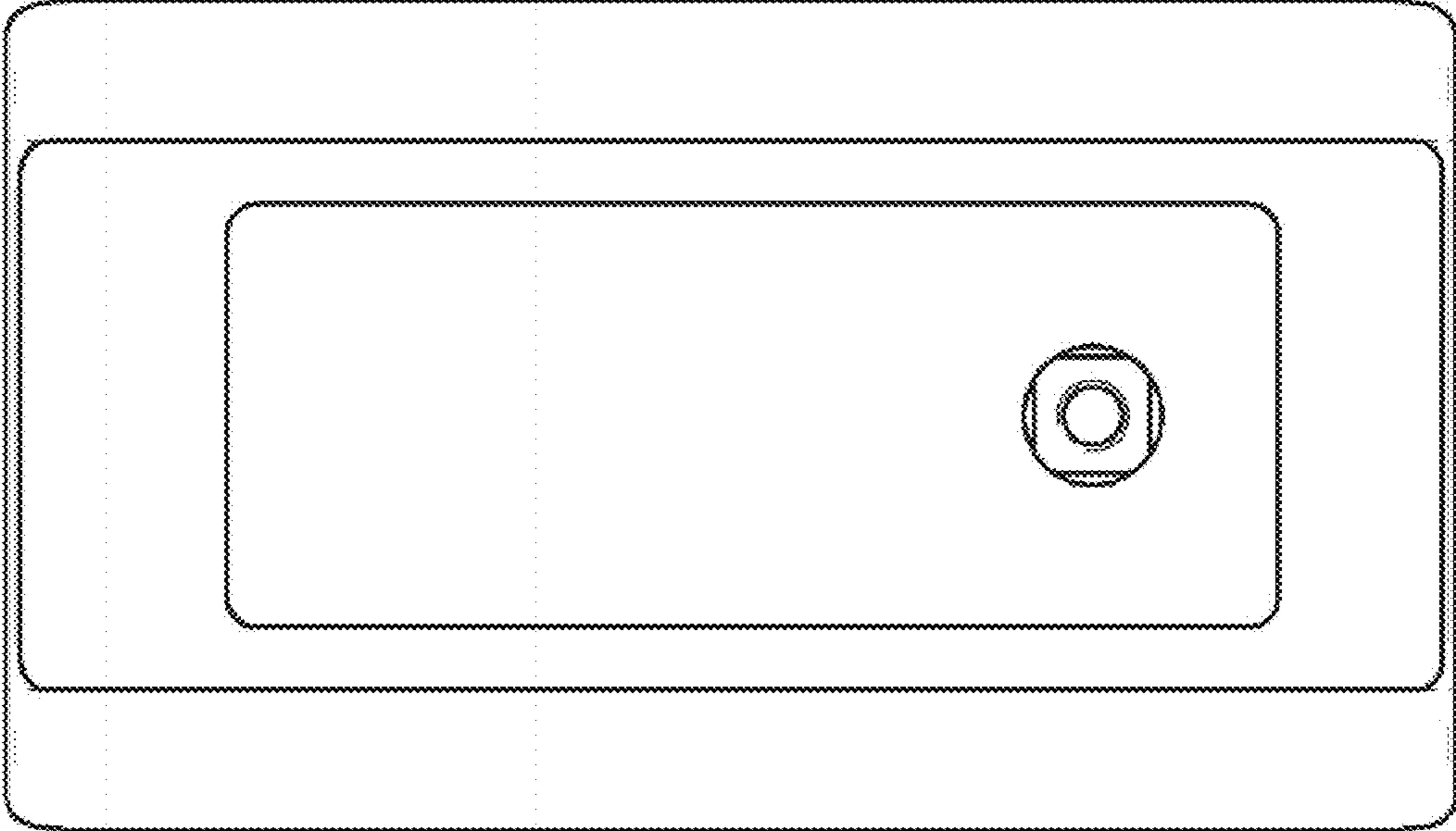


FIG. 6

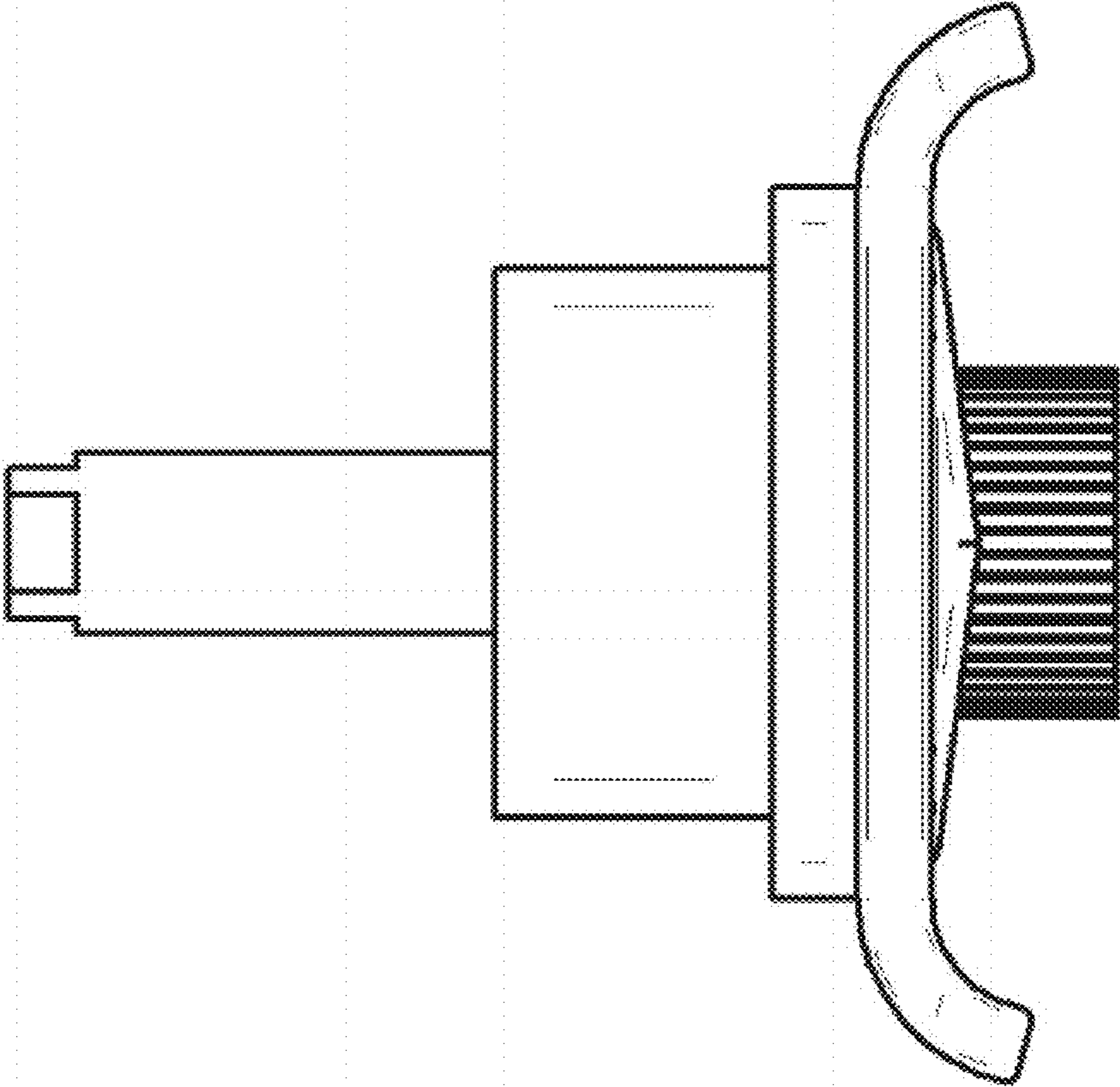


FIG. 7

