

US00D733517S

(12) **United States Design Patent**  
**Constantine**

(10) **Patent No.:** **US D733,517 S**

(45) **Date of Patent:** **\*\* Jul. 7, 2015**

(54) **PUTTY KNIFE**

(71) Applicant: **Acme United Corporation**, Fairfield,  
CT (US)

(72) Inventor: **Richard Steven Constantine**, Monroe,  
CT (US)

(73) Assignee: **ACME United Corporation**, Fairfield,  
CT (US)

(\*) Notice: This patent is subject to a terminal dis-  
claimer.

(\*\*) Term: **14 Years**

(21) Appl. No.: **29/462,284**

(22) Filed: **Aug. 1, 2013**

(51) **LOC (10) Cl.** ..... **08-05**

(52) **U.S. Cl.**  
USPC ..... **D8/107; D8/45**

(58) **Field of Classification Search**  
USPC ..... 15/236.01; 16/110.1, 421, 422;  
81/177.1, 489; D8/14, 45, 107  
CPC ..... B25G 1/102  
See application file for complete search history.

(56) **References Cited**

U.S. PATENT DOCUMENTS

D282,716 S *	2/1986	Heinis et al. ....	D8/107
D414,395 S *	9/1999	Panfili .....	D8/107
D444,692 S *	7/2001	Marquardt .....	D8/107
D446,104 S *	8/2001	Chen .....	D8/107
D462,251 S *	9/2002	Collins et al. ....	D8/107
D483,244 S *	12/2003	Chen .....	D8/107
D486,046 S *	2/2004	Norton .....	D8/45
D490,290 S *	5/2004	Norton .....	D8/93
D498,124 S *	11/2004	Mitchell .....	D8/45

D515,905 S *	2/2006	Chen .....	D8/107
D527,244 S *	8/2006	Holby .....	D8/107
D534,781 S *	1/2007	Chen .....	D8/107
D535,174 S *	1/2007	Chen .....	D8/107
D535,541 S *	1/2007	Holby .....	D8/107
D562,103 S *	2/2008	Lin .....	D8/107
D564,853 S *	3/2008	Chen .....	D8/107
D569,215 S *	5/2008	Chiu .....	D8/107
D577,564 S *	9/2008	Wu .....	D8/107
D580,731 S *	11/2008	Arvinte et al. ....	D8/107
D599,642 S *	9/2009	Su .....	D8/107
D607,708 S *	1/2010	Himbert et al. ....	D8/107
D629,578 S *	12/2010	Molina .....	D32/46

\* cited by examiner

*Primary Examiner* — Adir Aronovich

*Assistant Examiner* — Ethiene Salgado-Rodriguez

(74) *Attorney, Agent, or Firm* — George R. McGuire; Bond  
Schoeneck & King, PLLC

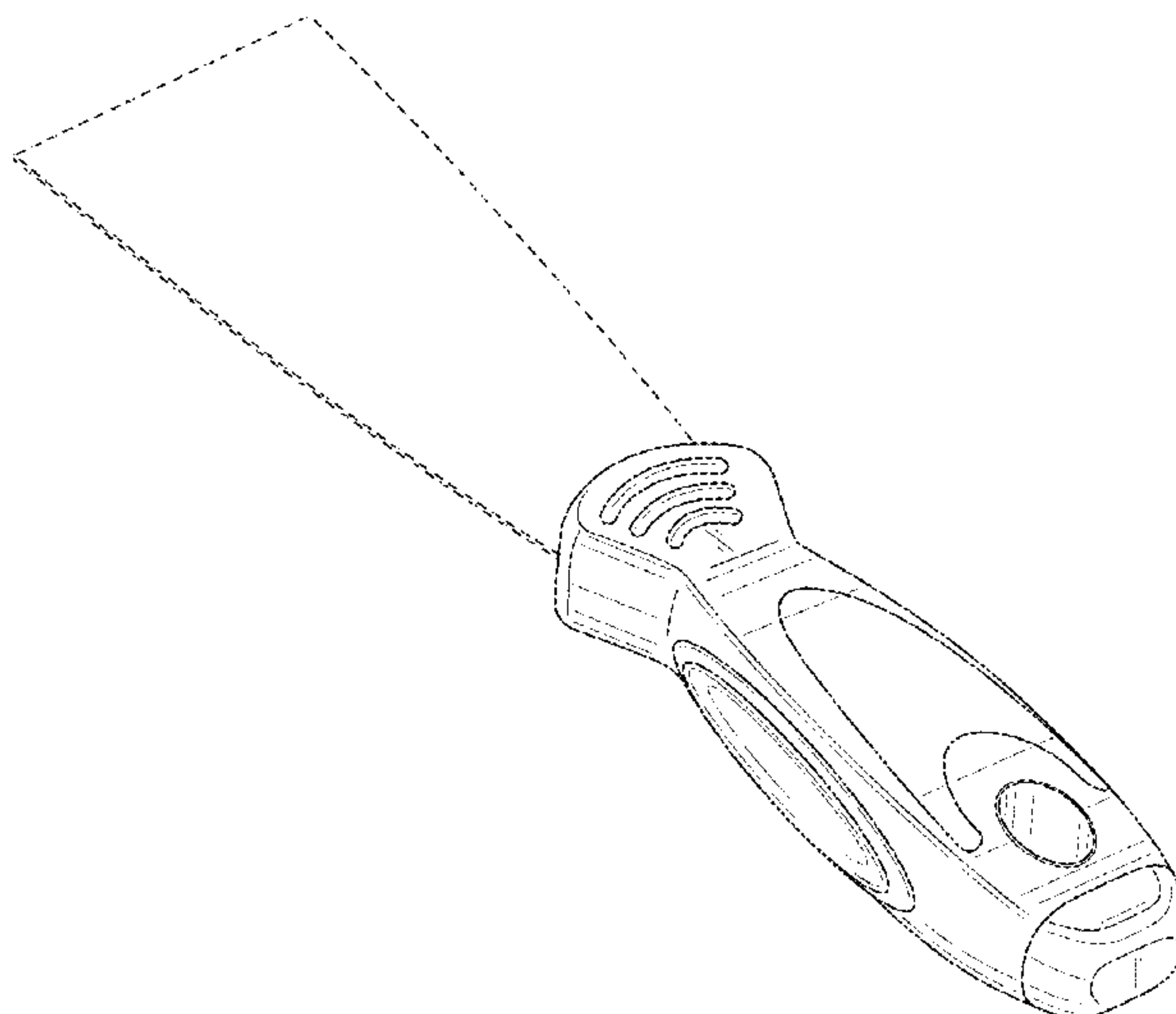
(57) **CLAIM**

The ornamental design for a putty knife, as shown and  
described.

**DESCRIPTION**

FIG. 1 is a perspective view of a putty knife showing my new  
design;  
FIG. 2 is a front elevation view thereof;  
FIG. 3 is a rear elevation view thereof;  
FIG. 4 is a side elevation view thereof;  
FIG. 5 is a side elevation view opposite to that shown in FIG.  
4;  
FIG. 6 is a top plan view thereof; and,  
FIG. 7 is a bottom plan view thereof.  
The broken lines throughout the figures are shown of illus-  
trate portions of the putty knife and form no part of the  
claimed design.

**1 Claim, 6 Drawing Sheets**



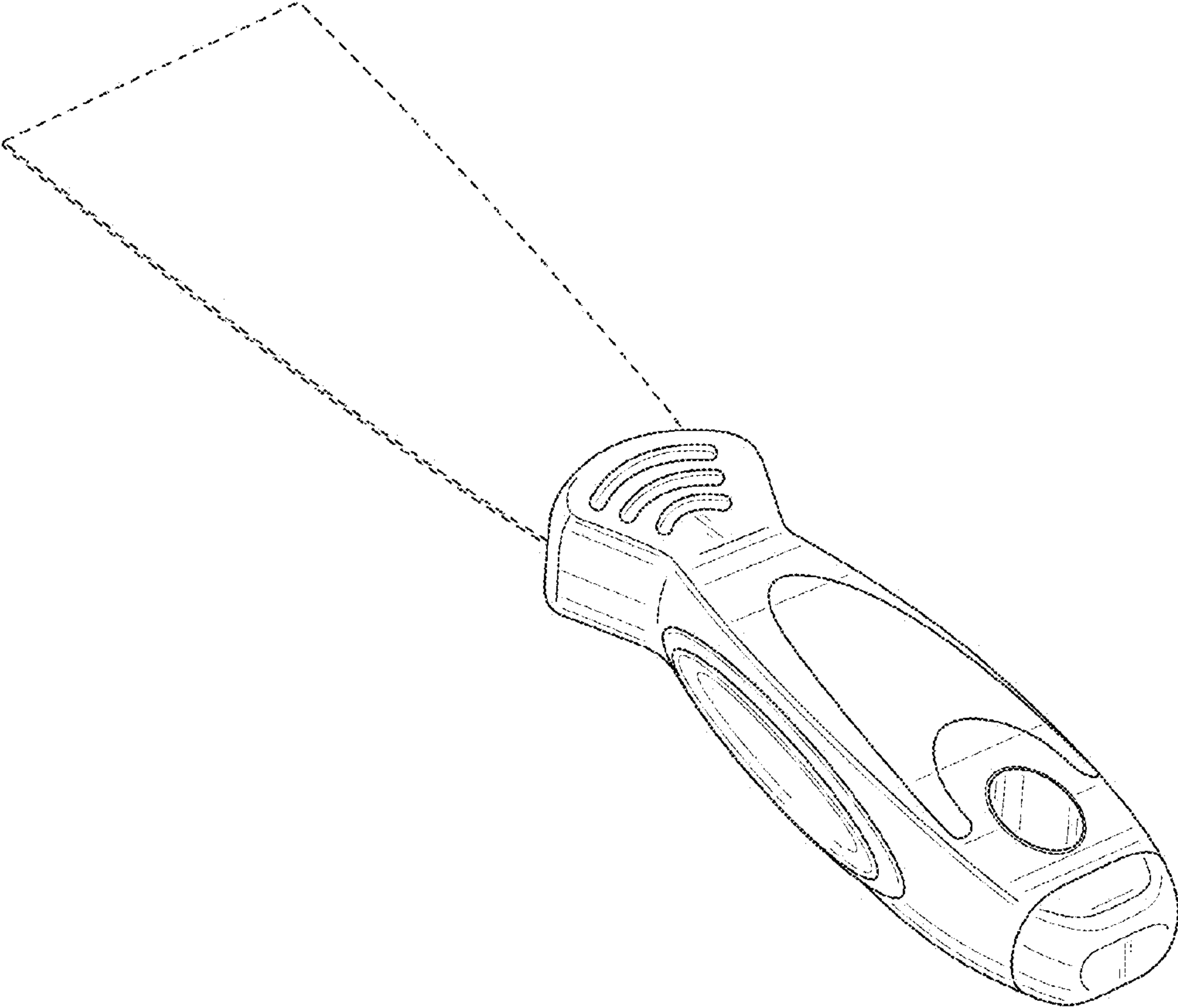


FIG. 1

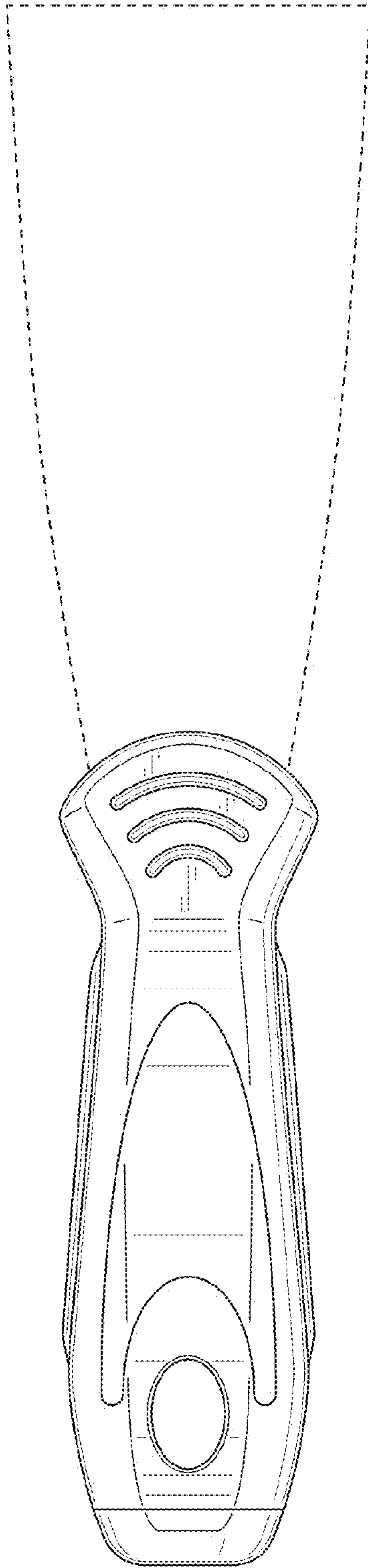


FIG. 2

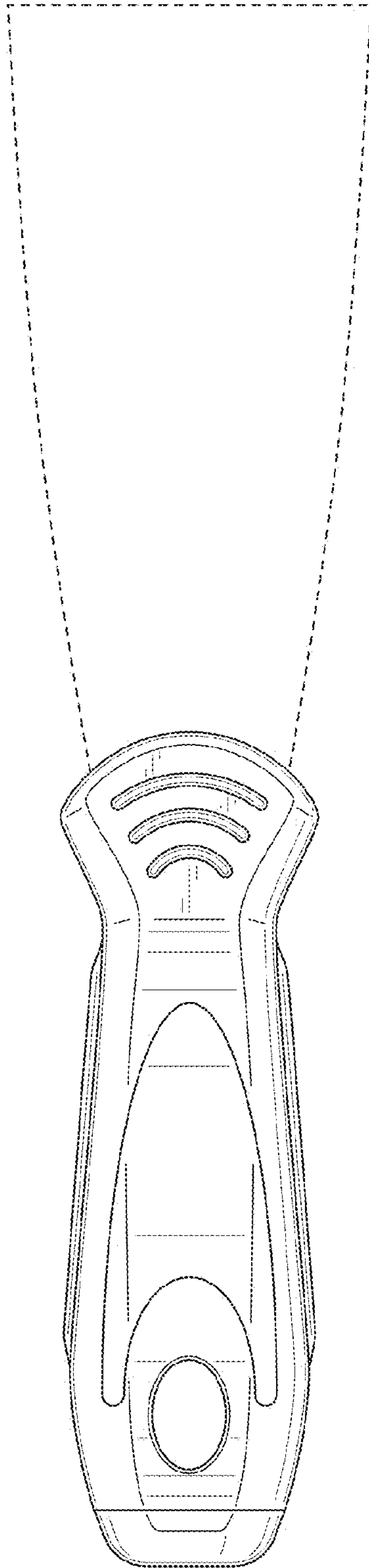


FIG. 3

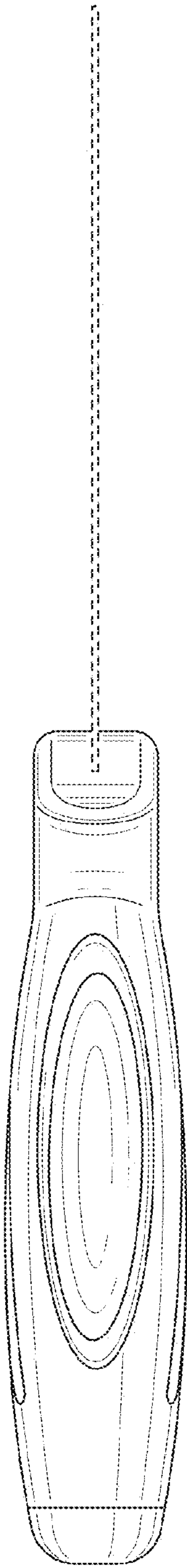


FIG. 4

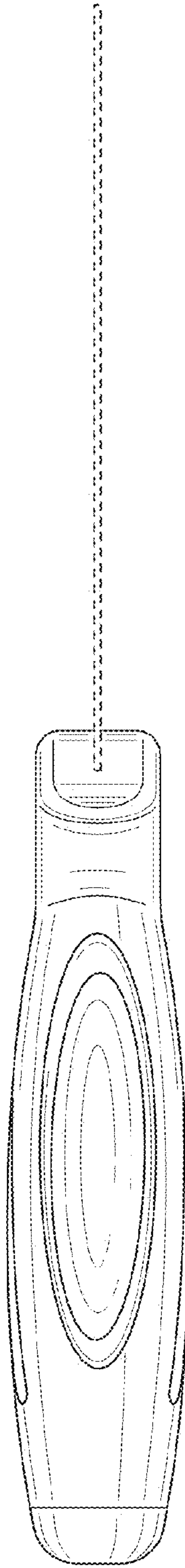


FIG. 5

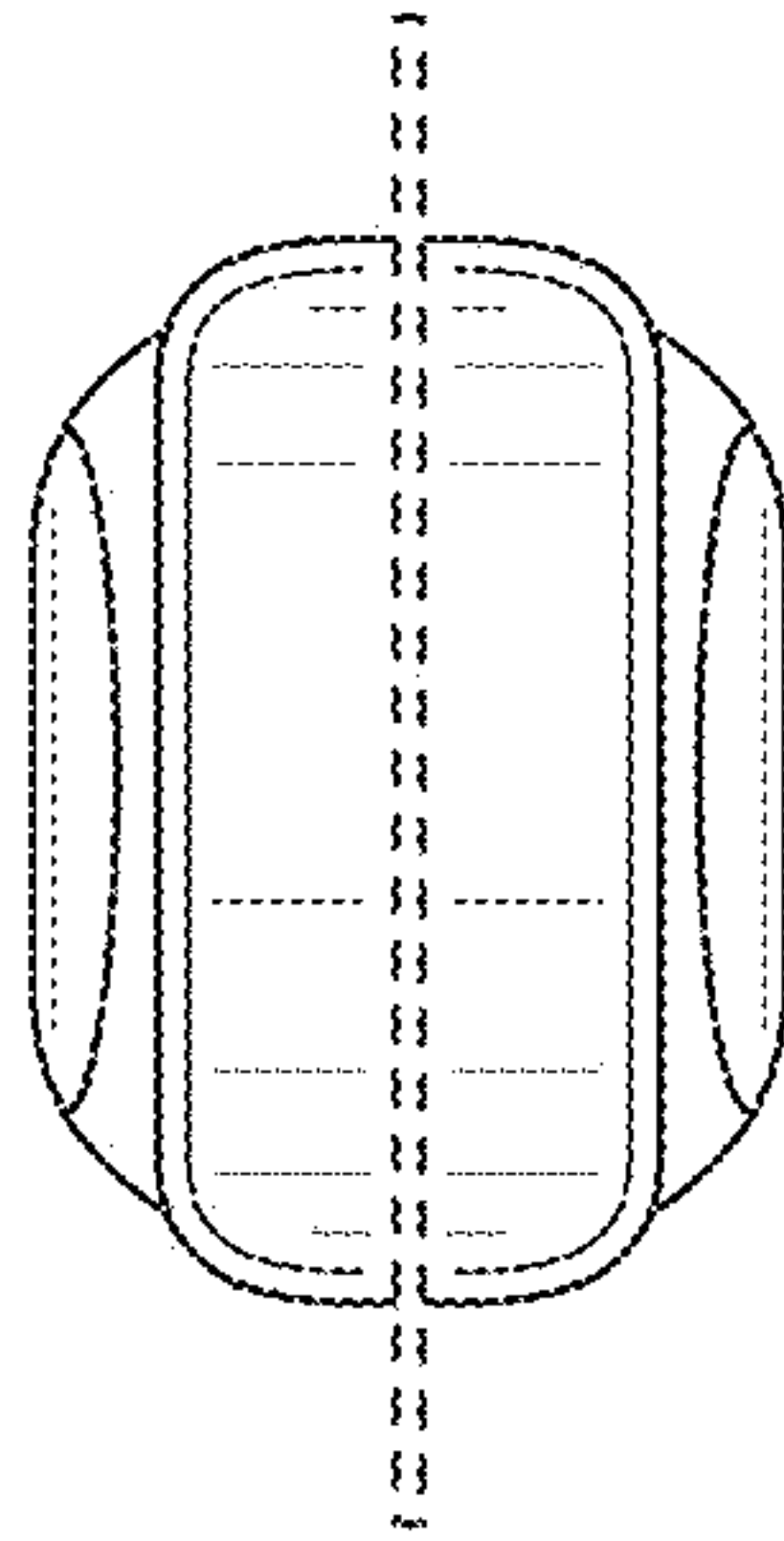


FIG. 6

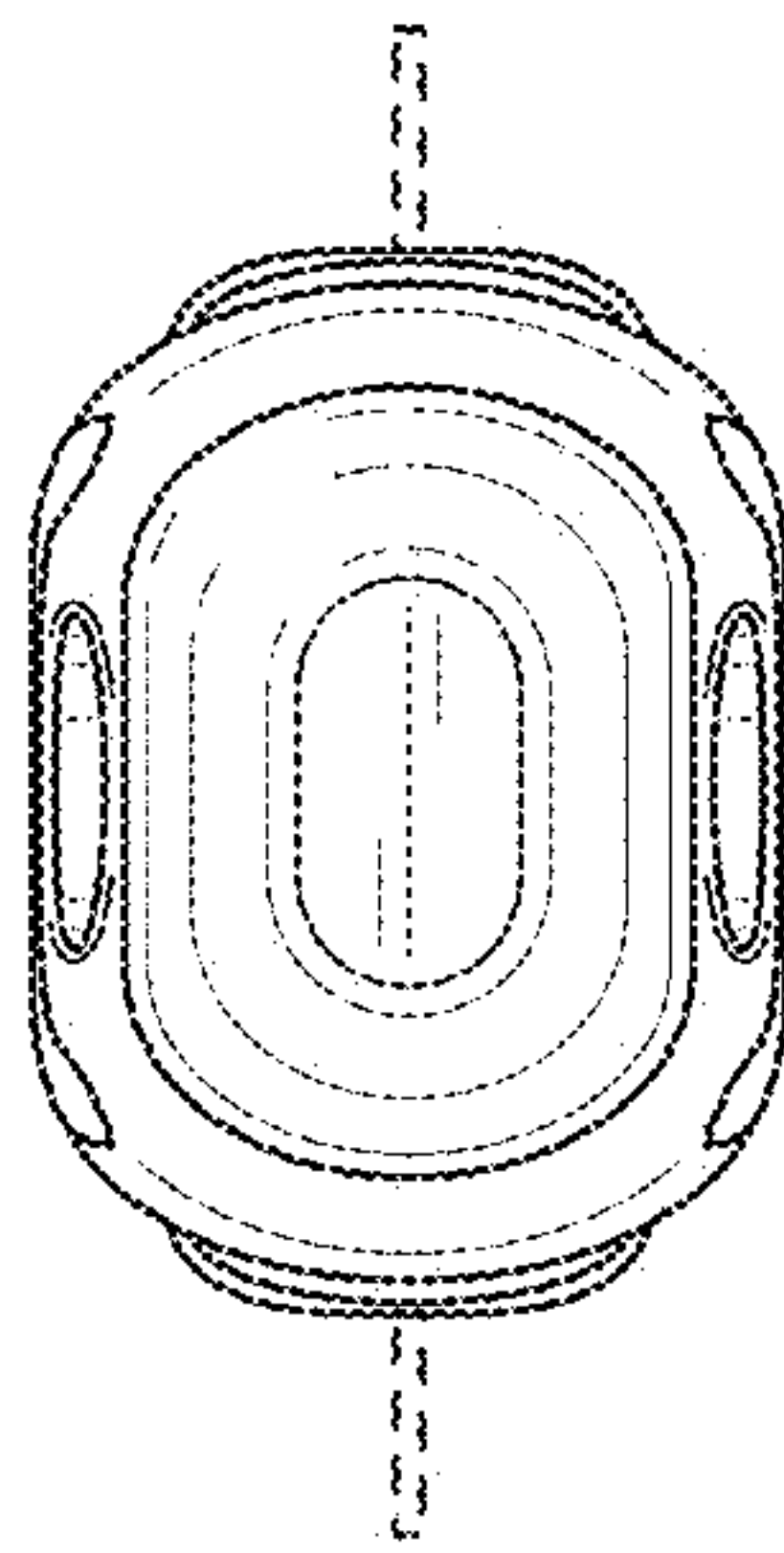


FIG. 7