



US00D733515S

(12) **United States Design Patent**  
**Cheng**

(10) **Patent No.:** **US D733,515 S**

(45) **Date of Patent:** **\*\* Jul. 7, 2015**

(54) **KNIFE**

(71) Applicant: **Taylor Brands, LLC**, Kingsport, TN  
(US)

(72) Inventor: **Yang-Fu Cheng**, Taipei (TW)

(73) Assignee: **TAYLOR BRANDS, LLC**, Kingsport,  
TN (US)

(\*\*) Term: **14 Years**

(21) Appl. No.: **29/473,604**

(22) Filed: **Nov. 25, 2013**

(51) **LOC (10) Cl.** ..... **08-03**

(52) **U.S. Cl.**  
USPC ..... **D8/99**

(58) **Field of Classification Search**  
USPC ..... D8/98, 99; D22/118; 30/152-160  
CPC ..... B26B 1/00; B26B 1/02; B26B 1/04;  
B26B 1/10; B26B 1/046  
See application file for complete search history.

(56) **References Cited**

U.S. PATENT DOCUMENTS

|              |         |               |       |
|--------------|---------|---------------|-------|
| D410,831 S   | 6/1999  | Dossett       |       |
| D422,477 S * | 4/2000  | Elishewitz    | D8/99 |
| D432,386 S * | 10/2000 | Elishewitz    | D8/99 |
| D482,257 S   | 11/2003 | Taylor et al. |       |
| D482,258 S   | 11/2003 | Taylor et al. |       |
| D496,575 S * | 9/2004  | Carter, III   | D8/99 |
| D505,057 S   | 5/2005  | Ralph         |       |
| D510,249 S * | 10/2005 | Ray           | D8/99 |
| D512,624 S   | 12/2005 | Taylor et al. |       |
| D520,842 S * | 5/2006  | Pohl          | D8/99 |
| D539,631 S   | 4/2007  | Taylor        |       |
| D554,964 S   | 11/2007 | Taylor        |       |

|                |         |                |        |
|----------------|---------|----------------|--------|
| D561,295 S     | 2/2008  | Taylor         |        |
| D561,554 S     | 2/2008  | Taylor         |        |
| D562,102 S     | 2/2008  | Pearman        |        |
| D562,932 S     | 2/2008  | Taylor         |        |
| D564,326 S *   | 3/2008  | Tsuda et al.   | D8/99  |
| D578,857 S     | 10/2008 | Yang-Fu        |        |
| D599,640 S     | 9/2009  | Yang-Fu        |        |
| D599,641 S     | 9/2009  | Yang-Fu        |        |
| D600,090 S     | 9/2009  | Yang-Fu        |        |
| D600,992 S     | 9/2009  | MacNair et al. |        |
| D613,145 S     | 4/2010  | Yang-Fu        |        |
| D632,154 S     | 2/2011  | Yang-Fu        |        |
| D632,539 S     | 2/2011  | Taylor et al.  |        |
| D632,755 S     | 2/2011  | Weiguo         |        |
| D660,676 S     | 5/2012  | Yang-Fu        |        |
| D670,149 S     | 11/2012 | Yang-Fu        |        |
| D688,933 S     | 9/2013  | Cheng          |        |
| D706,605 S *   | 6/2014  | Cheng          | D8/99  |
| 8,893,389 B2 * | 11/2014 | Freeman        | 30/155 |

\* cited by examiner

*Primary Examiner* — Phillip S Hyder

(74) *Attorney, Agent, or Firm* — Luedeka Neely Group, PC

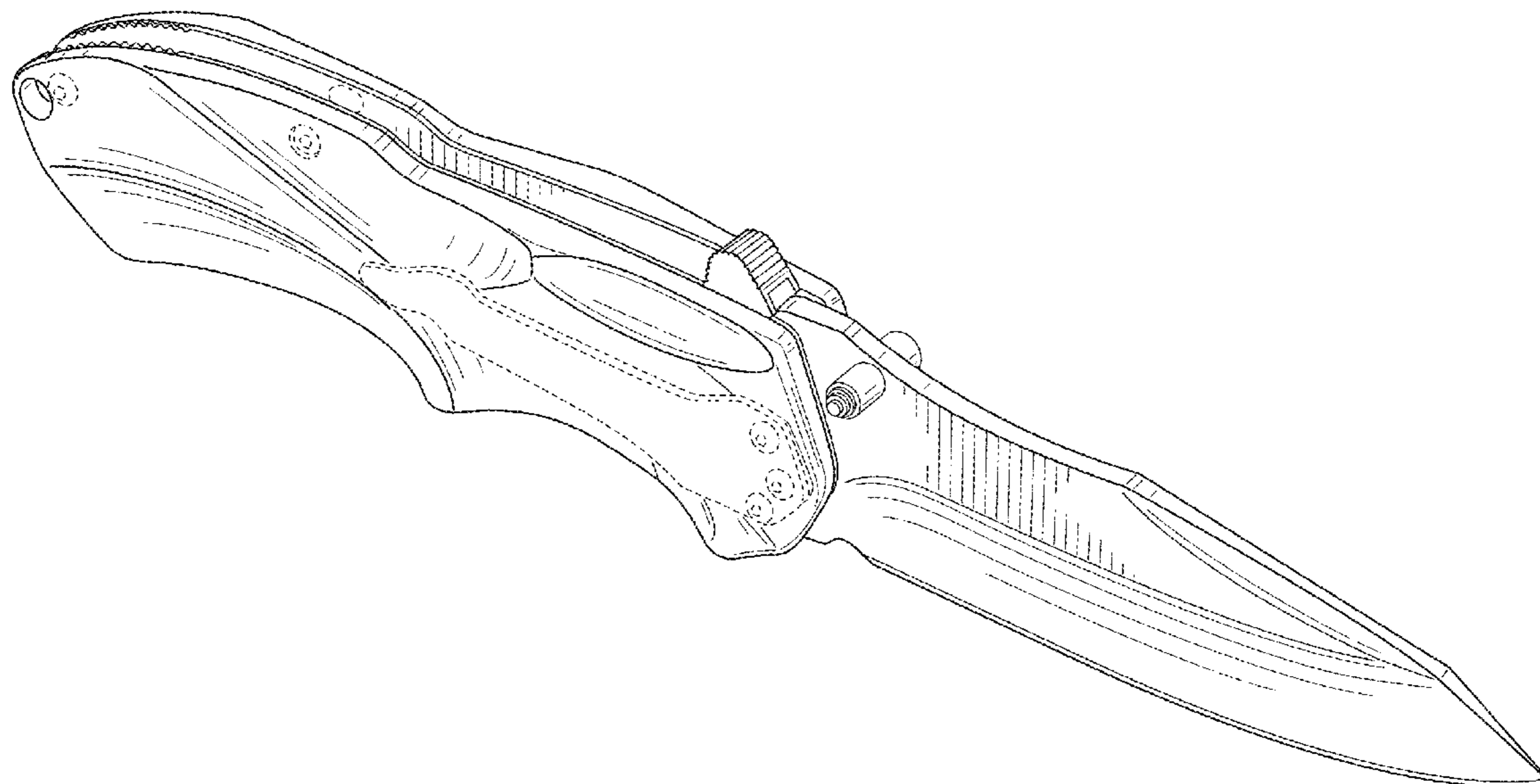
(57) **CLAIM**

The ornamental design for a knife, as shown and described.

**DESCRIPTION**

FIG. 1 is a perspective view of a knife of my new design; FIG. 2 is a right side elevation view of the knife of FIG. 1; FIG. 3 is a left side elevation view of the knife of FIG. 1; FIG. 4 is a top plan view of the knife of FIG. 1; FIG. 5 is a bottom plan view of the knife of FIG. 1; FIG. 6 is a front end view of the knife of FIG. 1; and, FIG. 7 is a rear end view of the knife of FIG. 1. The broken lines in the drawings are included for the purpose of illustrating unclaimed features and form no part of the claimed design.

**1 Claim, 4 Drawing Sheets**



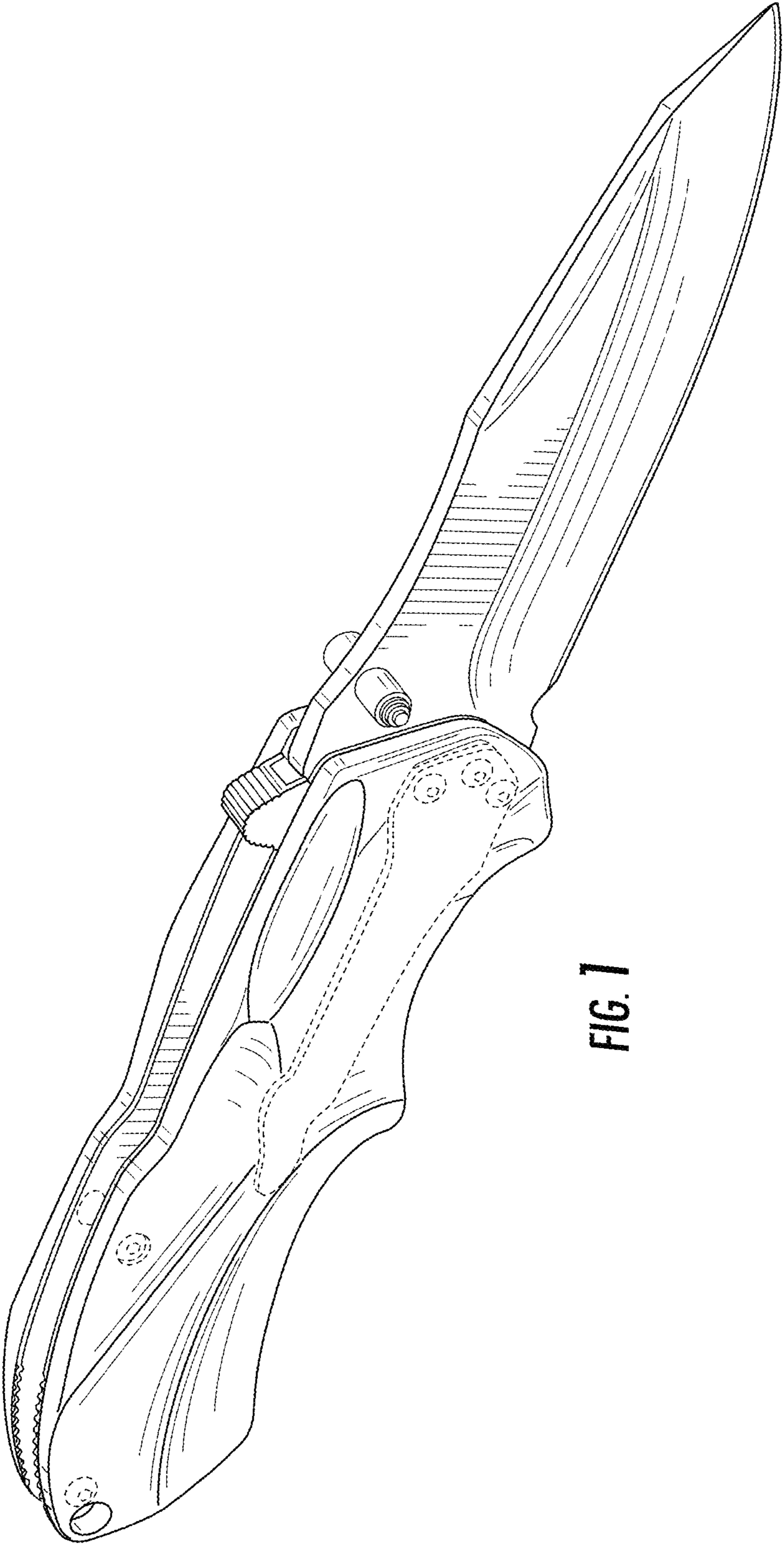


FIG. 1

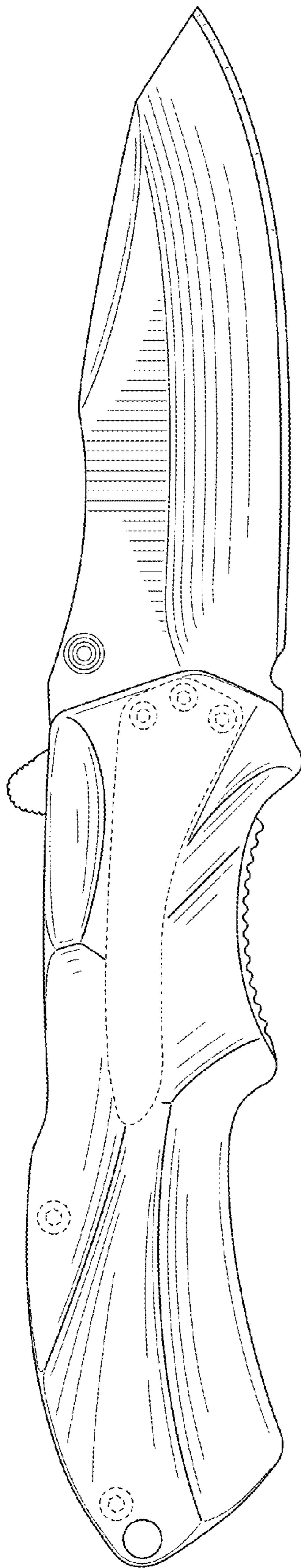


FIG. 2

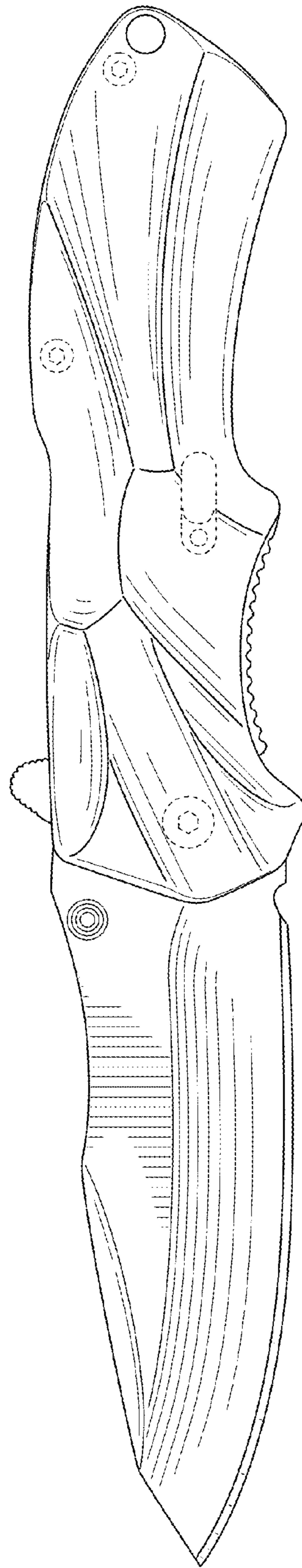


FIG. 3

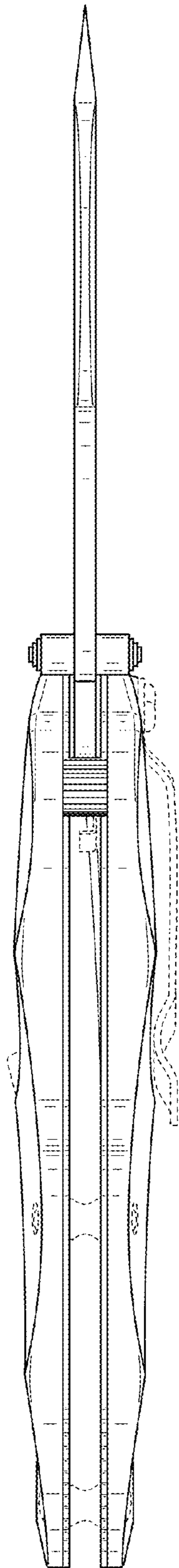


FIG. 4

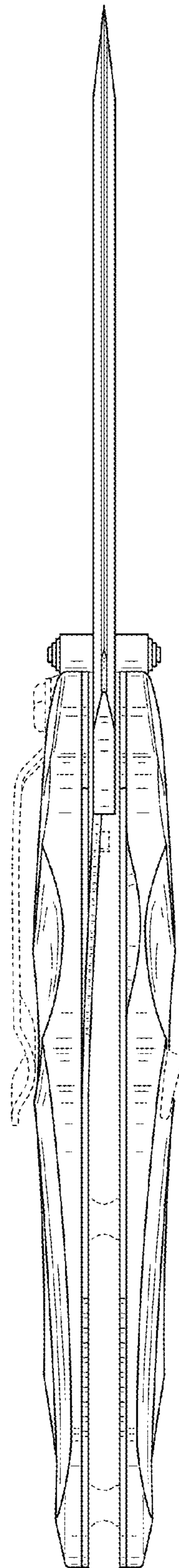
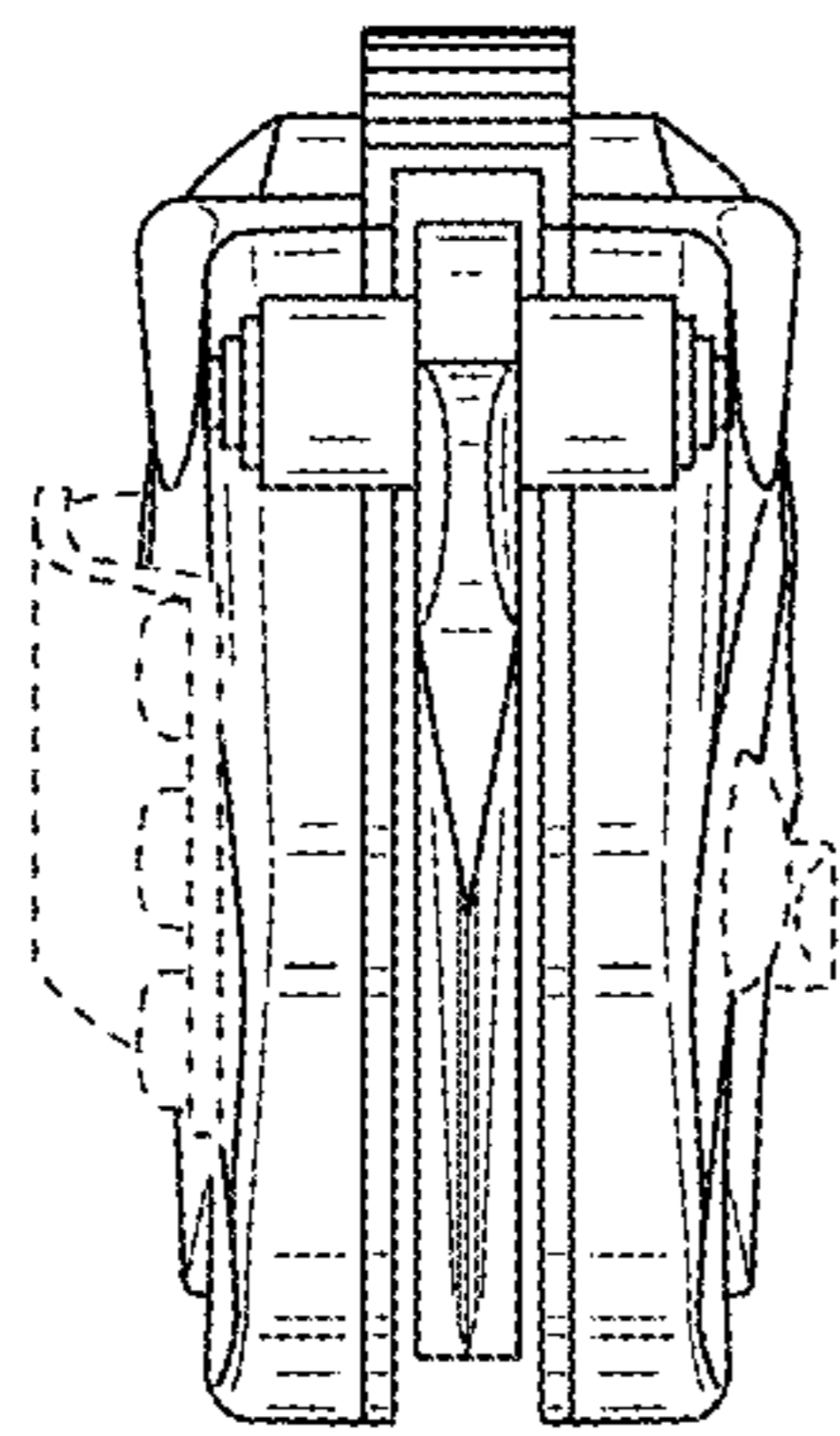
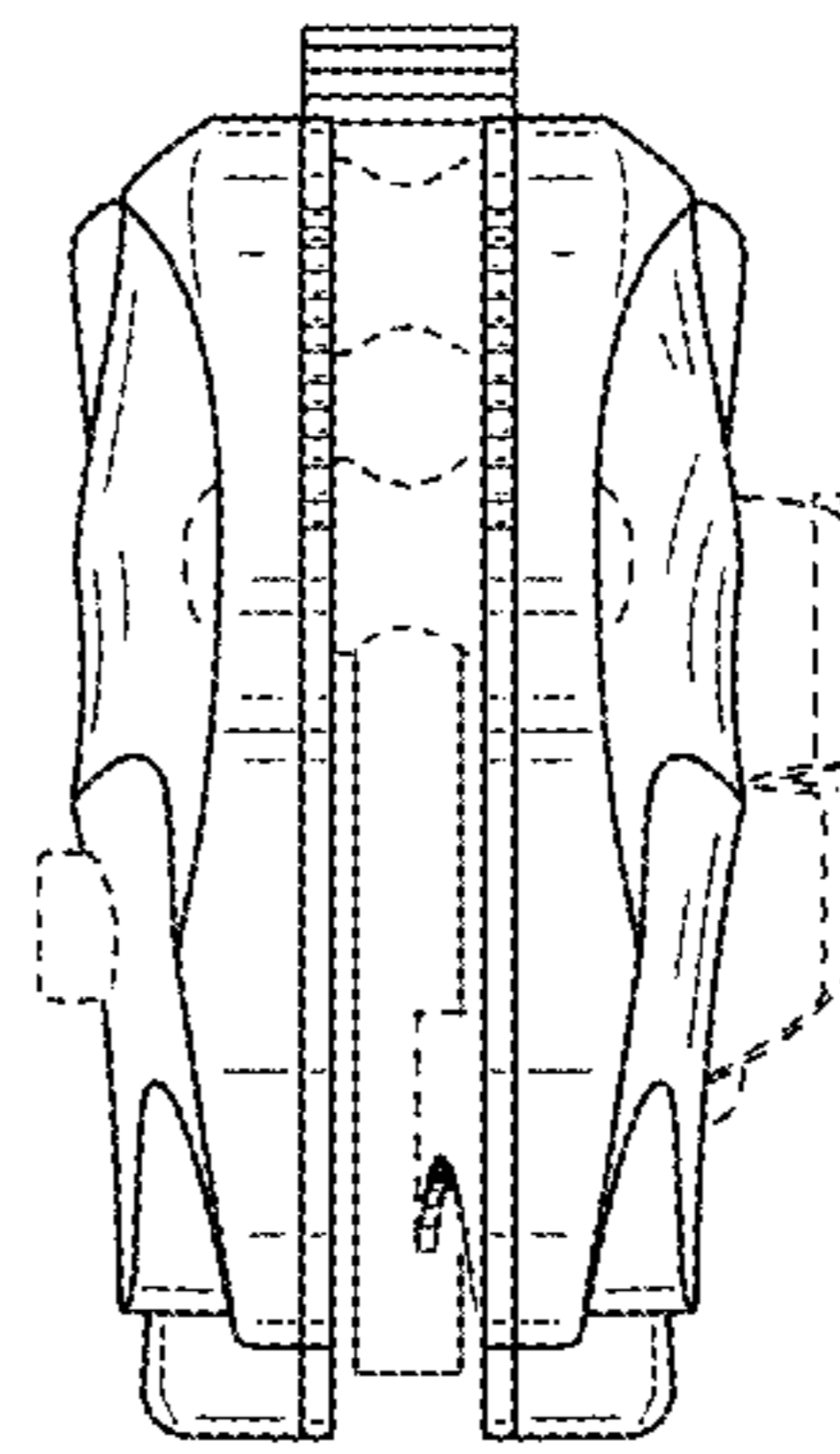


FIG. 5



**FIG. 6**



**FIG. 7**