

US00D733514S

(12) **United States Design Patent**
Liston et al.

(10) **Patent No.:** **US D733,514 S**
(45) **Date of Patent:** **** Jul. 7, 2015**

(54) **KNIFE FOR PIERCING CHEMICAL CONTAINERS**

(56) **References Cited**

(71) Applicant: **Greenline Industries Pty Ltd**, Lockhart NSW (AU)

(72) Inventors: **Lee Liston**, Lockhart (AU); **Darryl Paulhus**, Lockhart (AU)

(73) Assignee: **Greenline Industries Pty Ltd**, Lockhart, NSW (AU)

(**) Term: **14 Years**

(21) Appl. No.: **29/460,999**

(22) Filed: **Jul. 17, 2013**

(30) **Foreign Application Priority Data**

Mar. 7, 2013 (AU) 11083/2013

(51) **LOC (10) Cl.** **08-03**

(52) **U.S. Cl.**
USPC **D8/98**

(58) **Field of Classification Search**
USPC D8/14, 98, 99, 20; 30/443; 141/329, 141/330
CPC B26F 1/32; B65B 1/04

See application file for complete search history.

U.S. PATENT DOCUMENTS

2,002,610	A *	5/1935	Nall	141/330
2,002,611	A *	5/1935	Nall	141/330
2,242,821	A *	5/1941	Fanslow	408/229
2,832,134	A *	4/1958	Lukan	30/443
3,232,145	A *	2/1966	Wilson	408/202
D301,540	S *	6/1989	Zahuranec et al.	D8/98
4,846,236	A *	7/1989	Deruntz	141/329
5,111,810	A *	5/1992	Fortney	607/108
5,573,047	A *	11/1996	Akin	141/330
D637,466	S *	5/2011	Singleton et al.	D8/41

* cited by examiner

Primary Examiner — Phillip S Hyder

(74) *Attorney, Agent, or Firm* — TraskBritt, P.C.

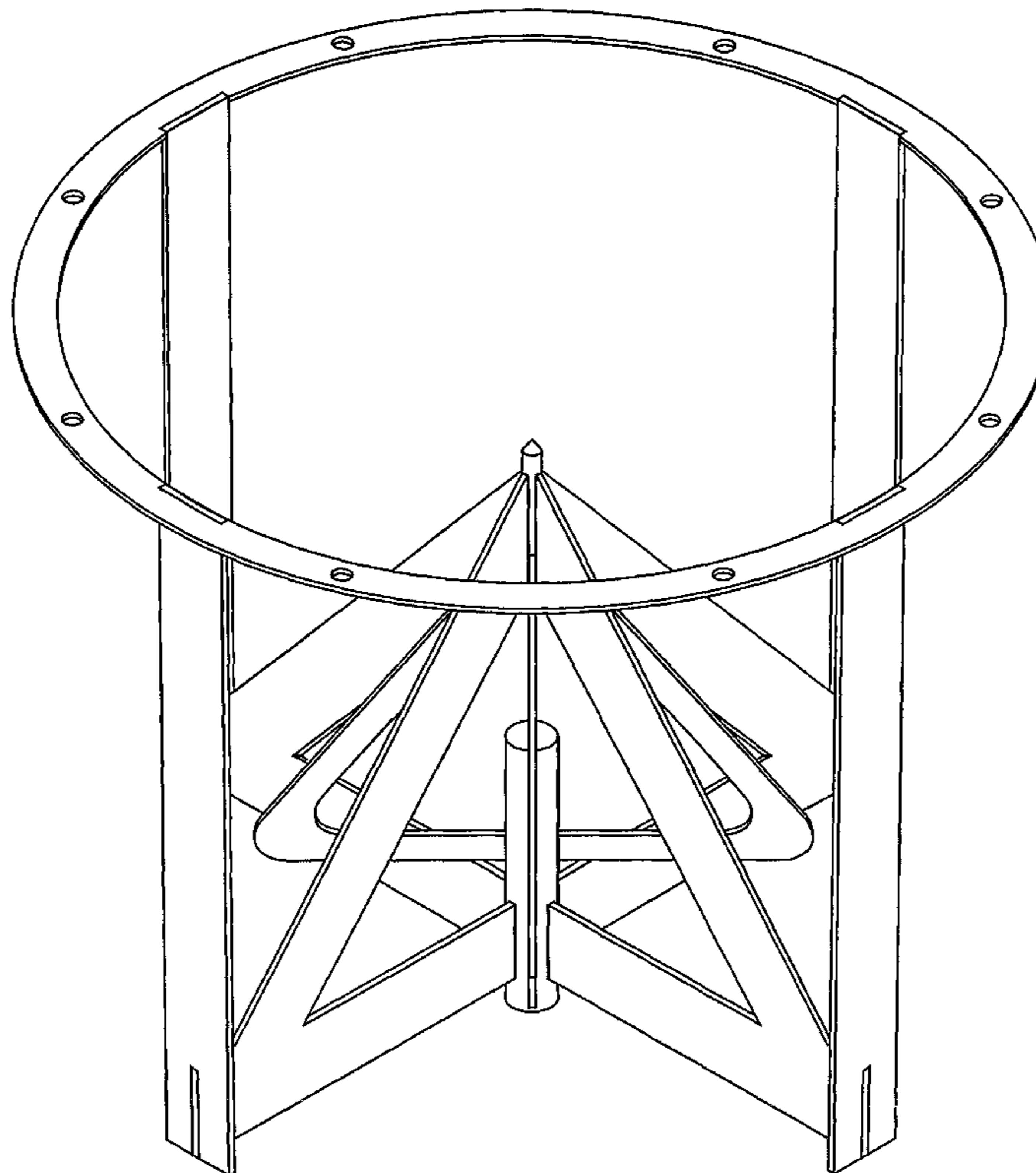
(57) **CLAIM**

The ornamental design for a knife for piercing chemical containers, as shown and described.

DESCRIPTION

FIG. 1 is a isometric view showing a design;
FIG. 2 is a top view of the design;
FIG. 3 is a bottom view of the design; and,
FIG. 4 is a side view of the design.

1 Claim, 4 Drawing Sheets



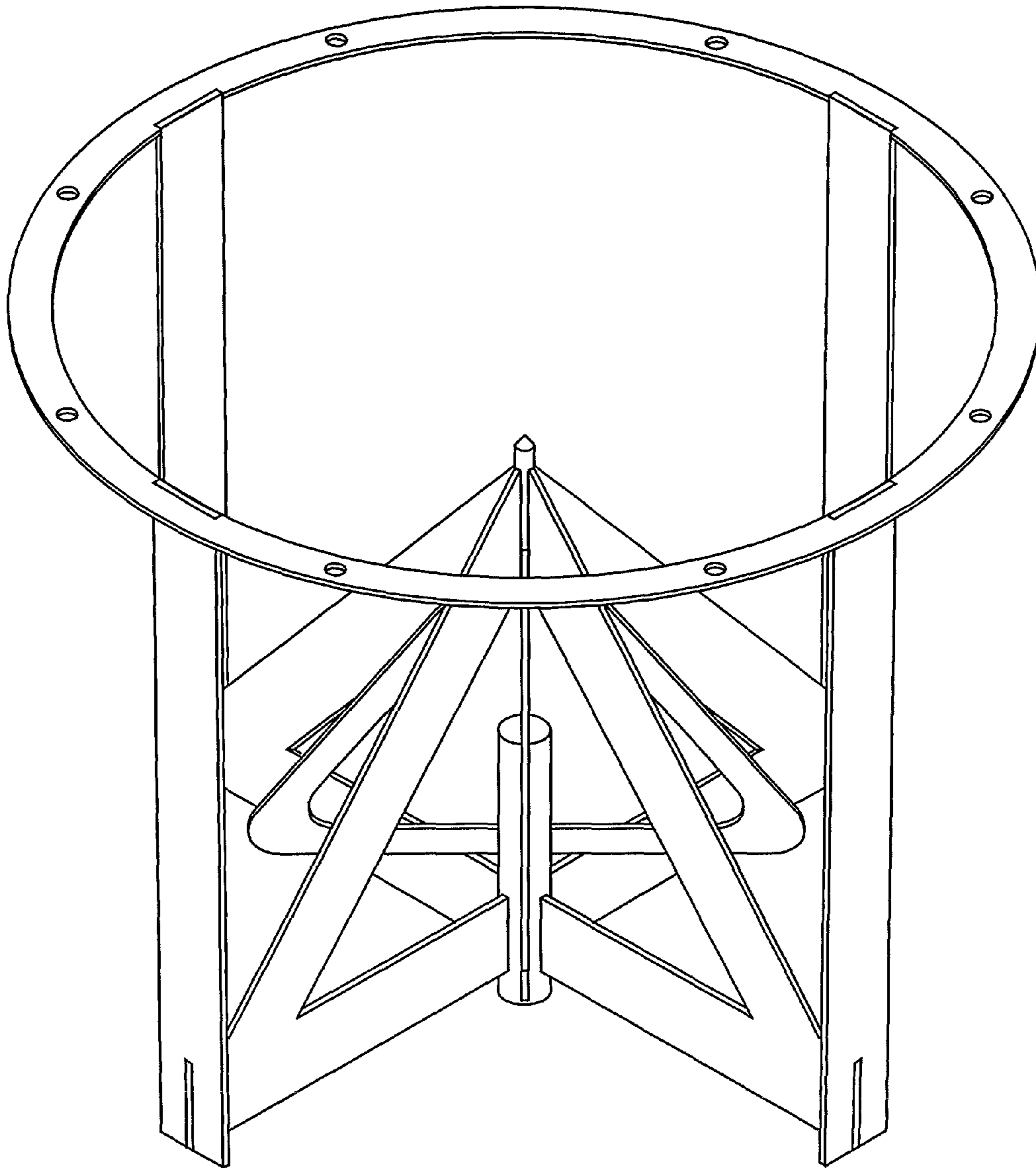


FIG. 1

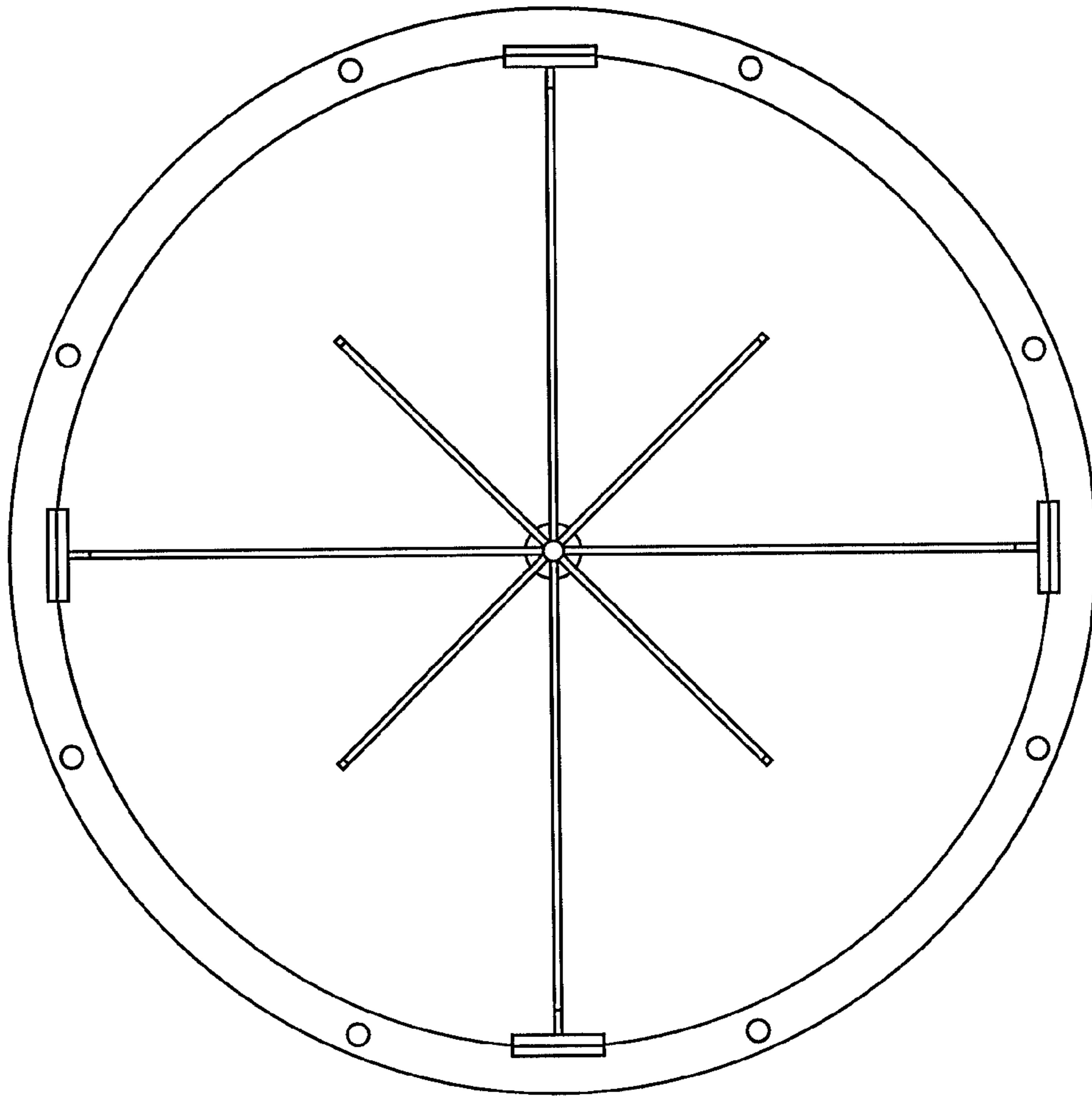


FIG. 2

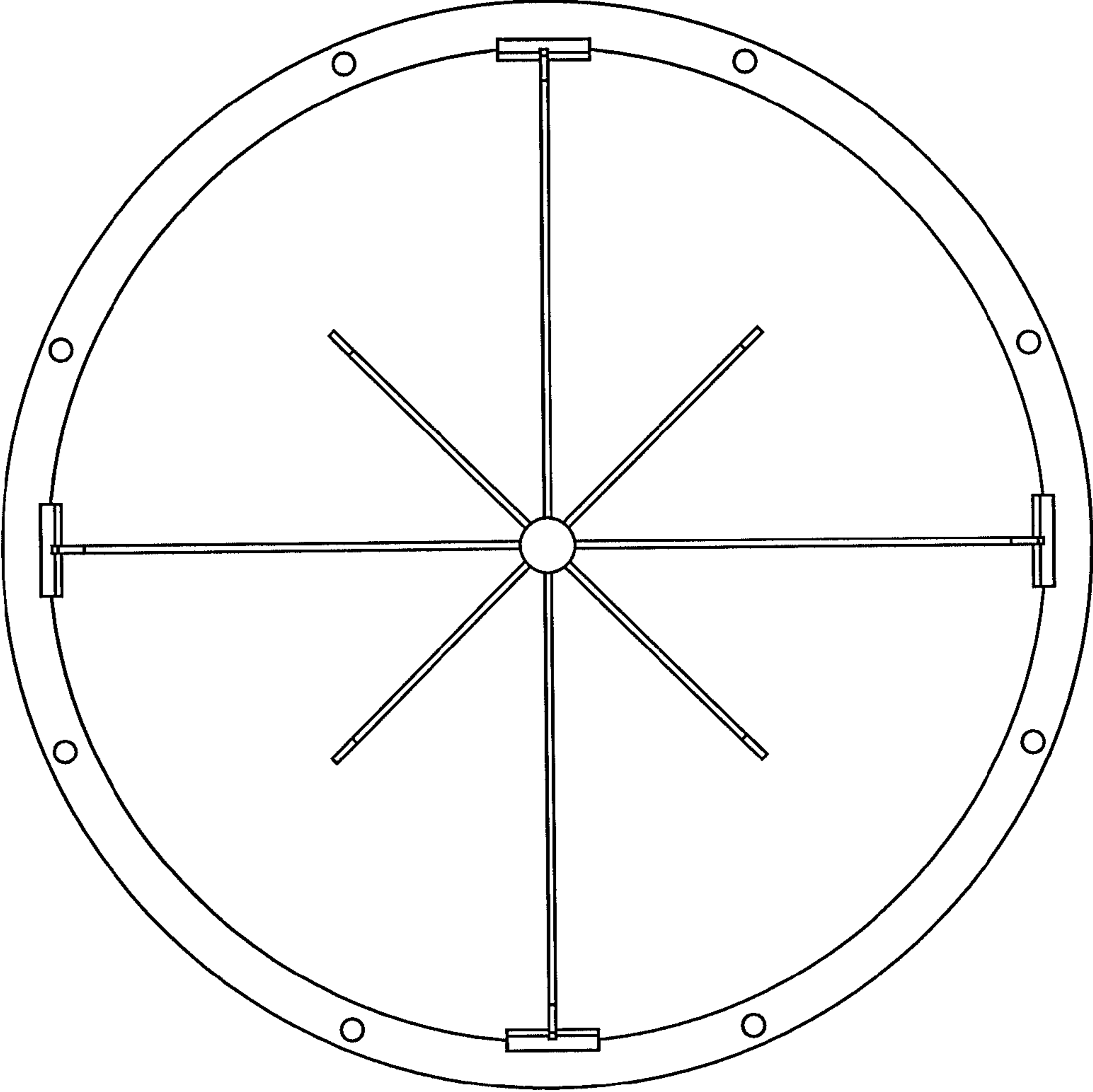


FIG. 3

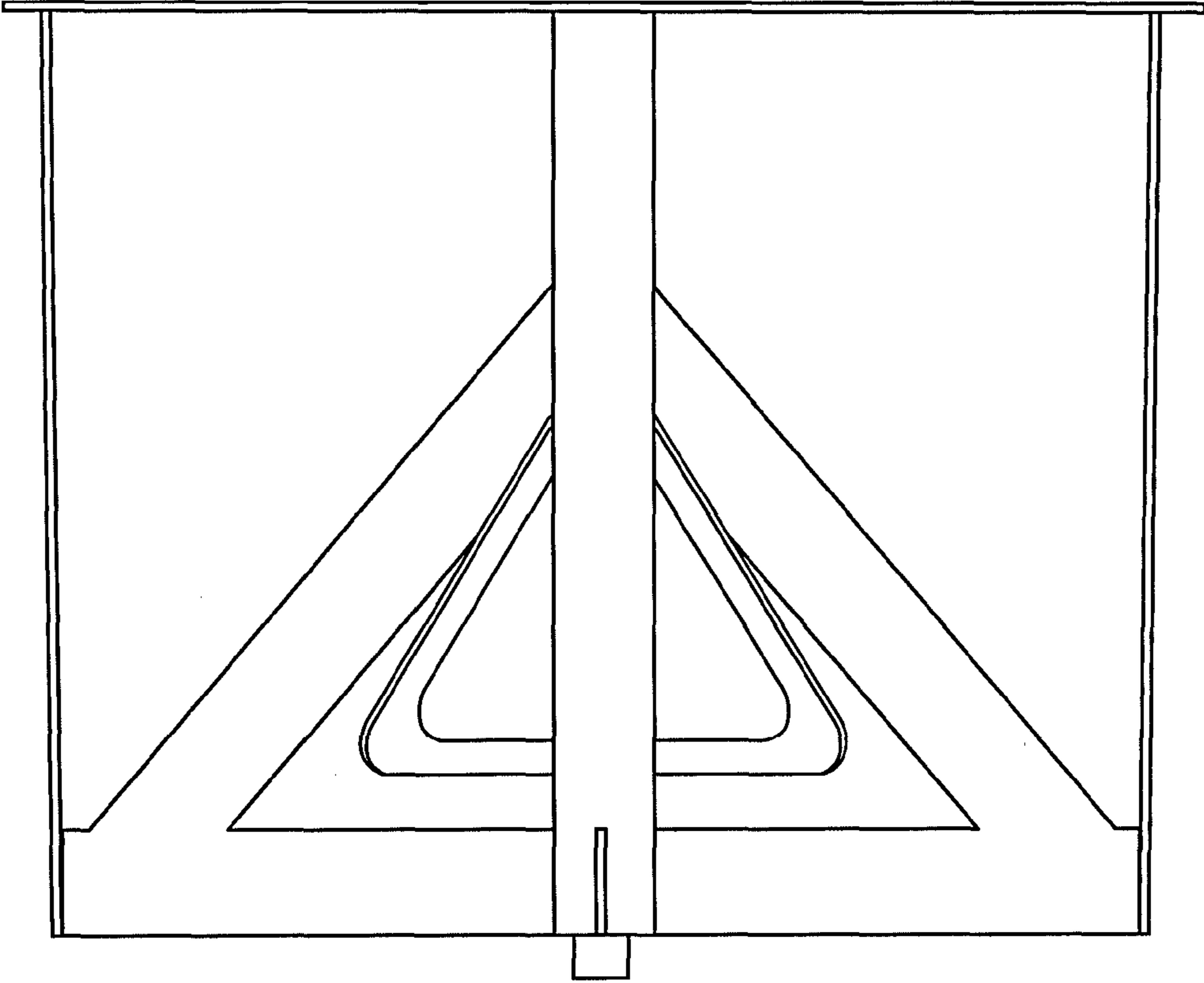


FIG. 4