



US00D733510S

(12) **United States Design Patent**
Ortiz Gispert

(10) **Patent No.:** **US D733,510 S**
(45) **Date of Patent:** **** Jul. 7, 2015**

(54) **COMBINED LUNCH BOX AND INTEGRATED CANTEEN**

(71) Applicant: **STOR, S.L.**, Madrid (ES)

(72) Inventor: **Valentin Ortiz Gispert**, Madrid (ES)

(73) Assignee: **STOR, S.L.**, Madrid (ES)

(**) Term: **14 Years**

(21) Appl. No.: **29/468,820**

(22) Filed: **Oct. 3, 2013**

(51) **LOC (10) Cl.** **07-99**

(52) **U.S. Cl.**
USPC **D7/709**

(58) **Field of Classification Search**
USPC D7/709, 710, 601; 220/592.2, 592.27,
220/915.1, 771; 206/217, 223, 541-549;
D3/201, 202, 206, 232, 273, 274
CPC A45C 11/20
See application file for complete search history.

(56) **References Cited**

U.S. PATENT DOCUMENTS

3,025,947 A * 3/1962 Hammer 206/545
3,610,409 A * 10/1971 Graf 206/543

3,648,830 A * 3/1972 Graf 206/544
4,050,581 A * 9/1977 Sedlacek 206/544
4,216,862 A * 8/1980 Daenen 206/541
D336,409 S * 6/1993 Kahl et al. D7/709
D346,489 S * 5/1994 Bean et al. D7/709
D376,074 S * 12/1996 Vossoughi et al. D7/629
D408,143 S * 4/1999 Miller D3/282
6,105,844 A * 8/2000 Walters et al. 224/610
D637,458 S * 5/2011 Harbinson D7/601
D654,334 S * 2/2012 Gispert D7/709

* cited by examiner

Primary Examiner — Terry Wallace

(74) *Attorney, Agent, or Firm* — Muncy, Geissler, Olds & Lowe, P.C.

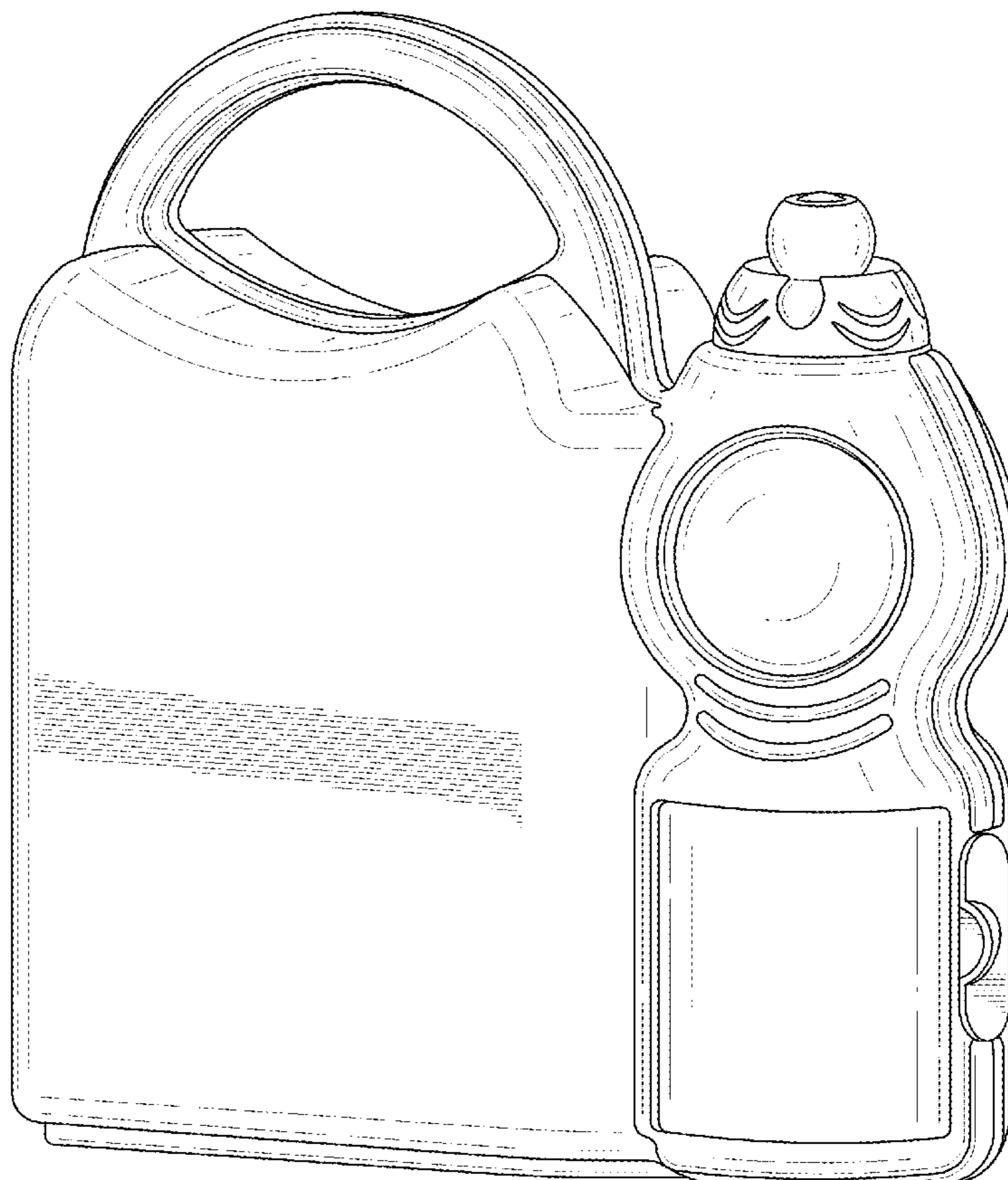
(57) **CLAIM**

The ornamental design for a combined lunch box and integrated canteen, as shown and described.

DESCRIPTION

FIG. 1 is a perspective view of a combined lunch box and integrated canteen showing my new design.
FIG. 2 is a front view thereof.
FIG. 3 is a rear view thereof.
FIG. 4 is a right side view thereof.
FIG. 5 is a left side view thereof.
FIG. 6 is a top plan view thereof.
FIG. 7 is a bottom plan view thereof; and,
FIG. 8 is an exploded perspective view thereof.

1 Claim, 8 Drawing Sheets



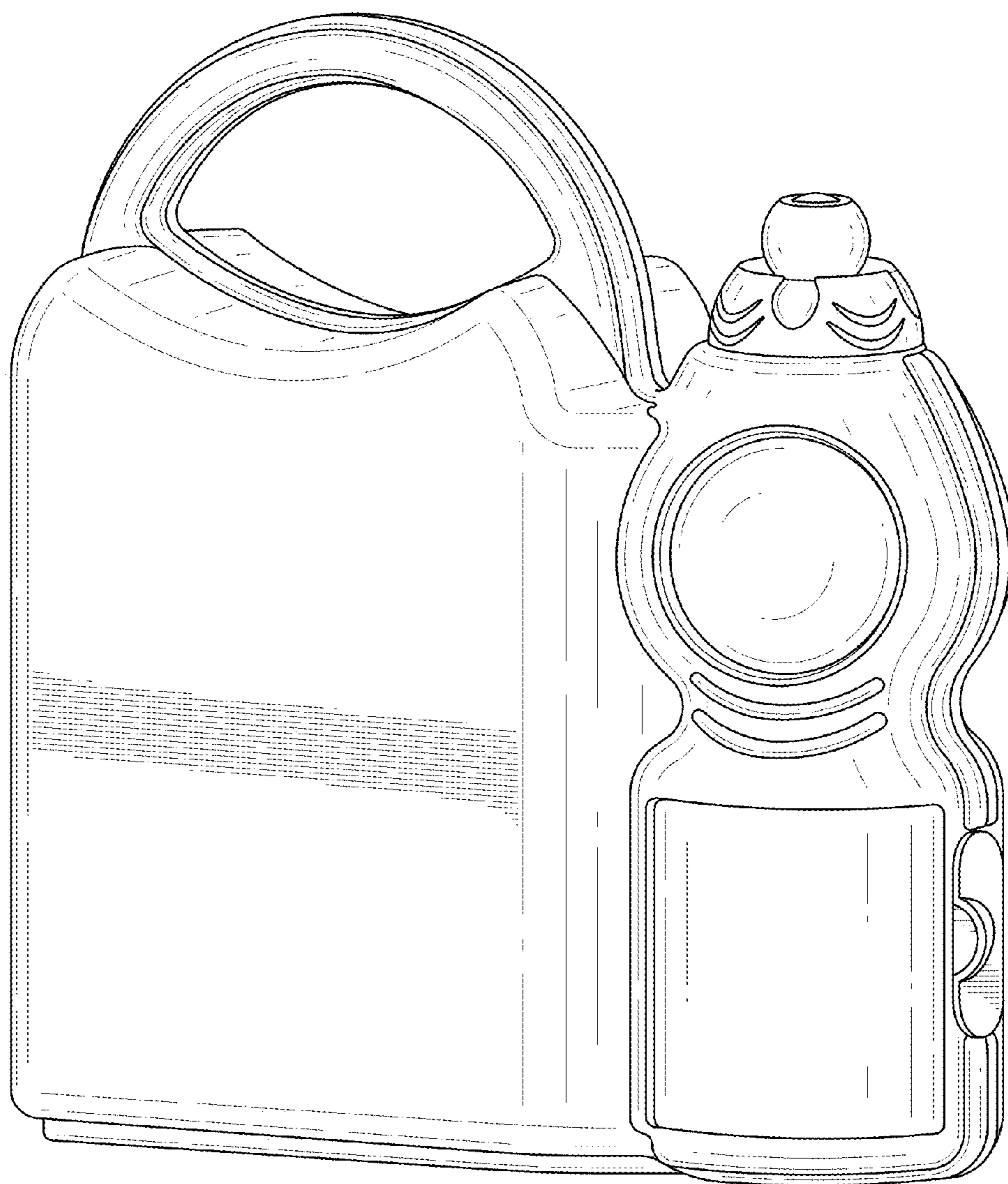


FIG. 1

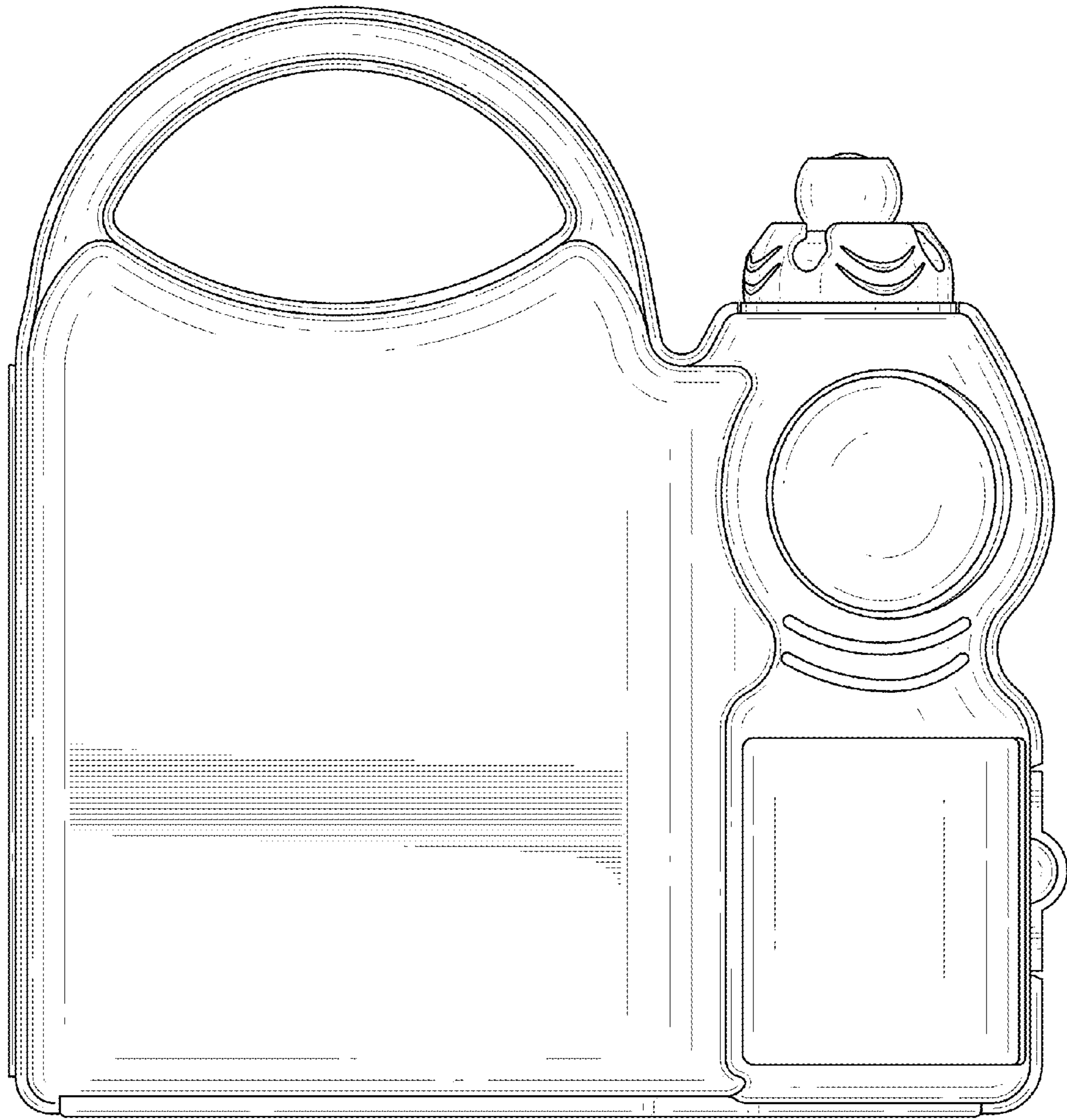


FIG. 2

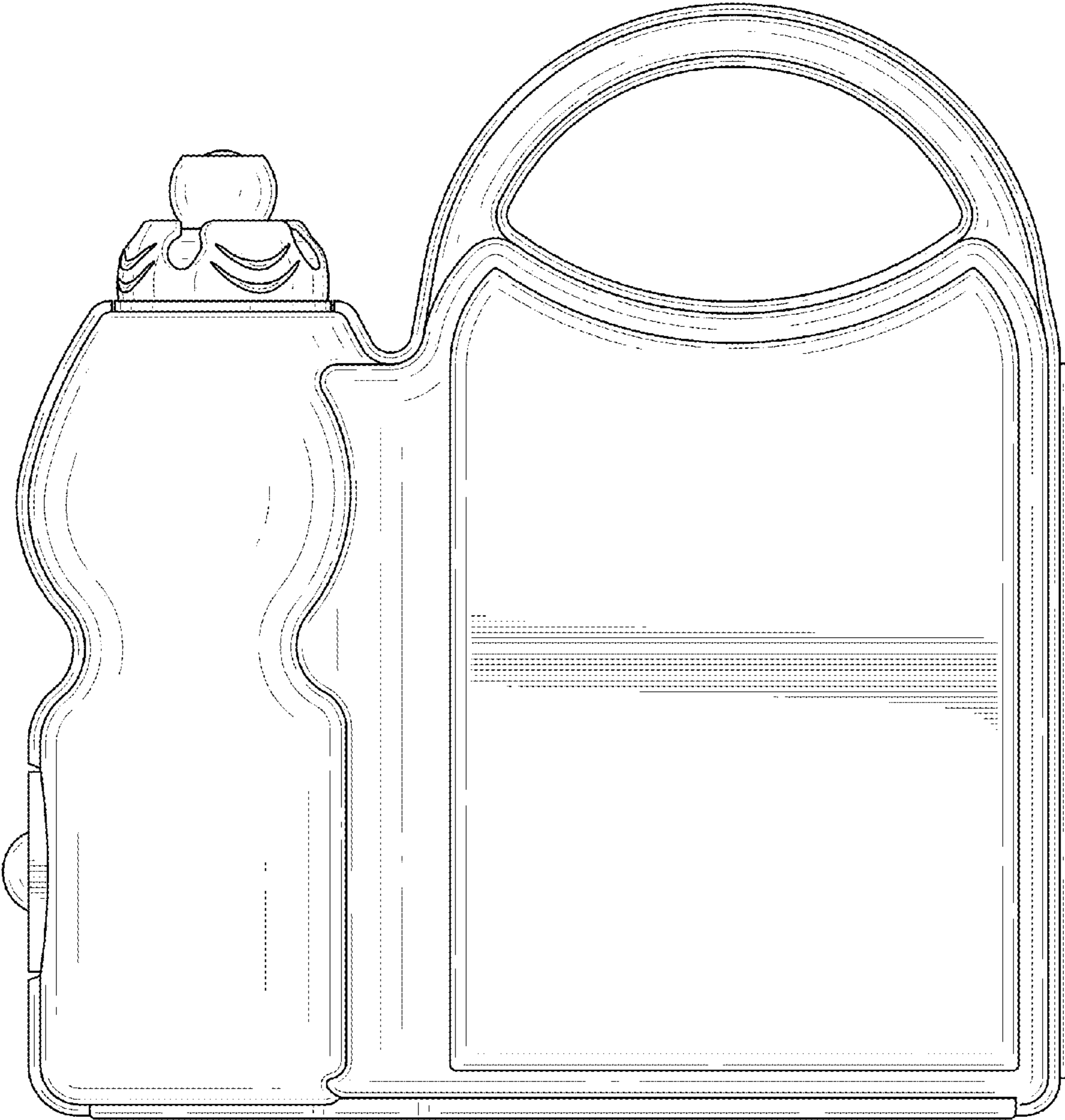


FIG. 3

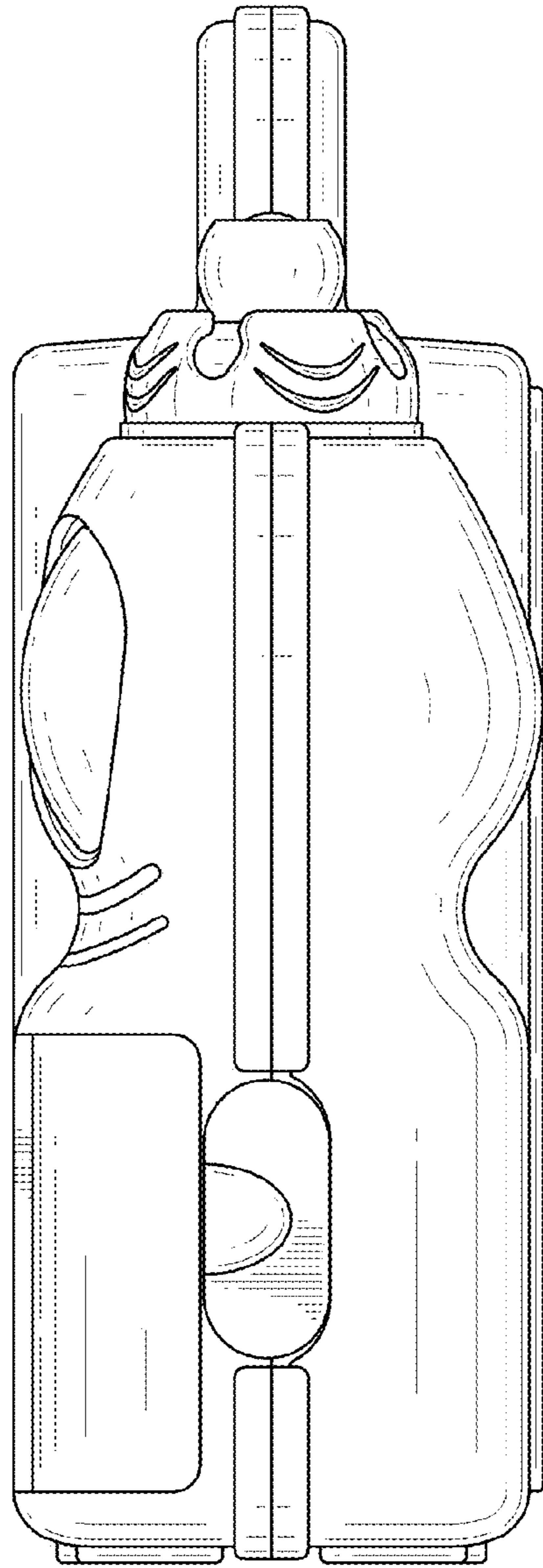


FIG. 4

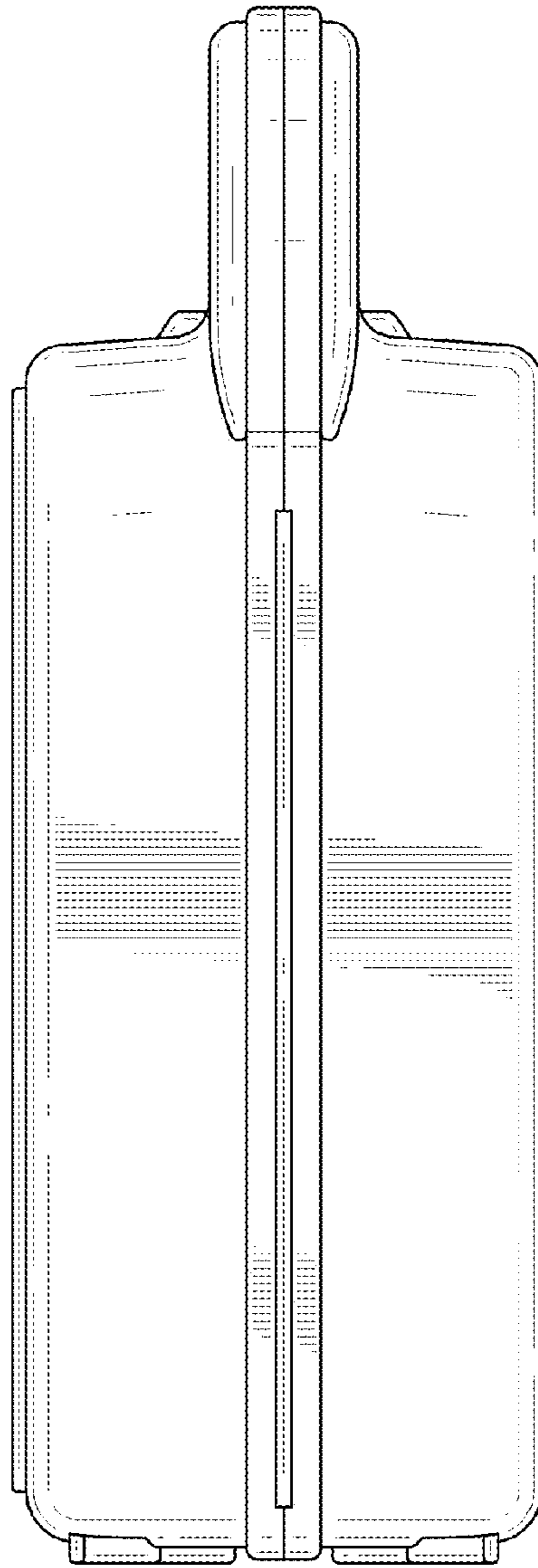


FIG. 5

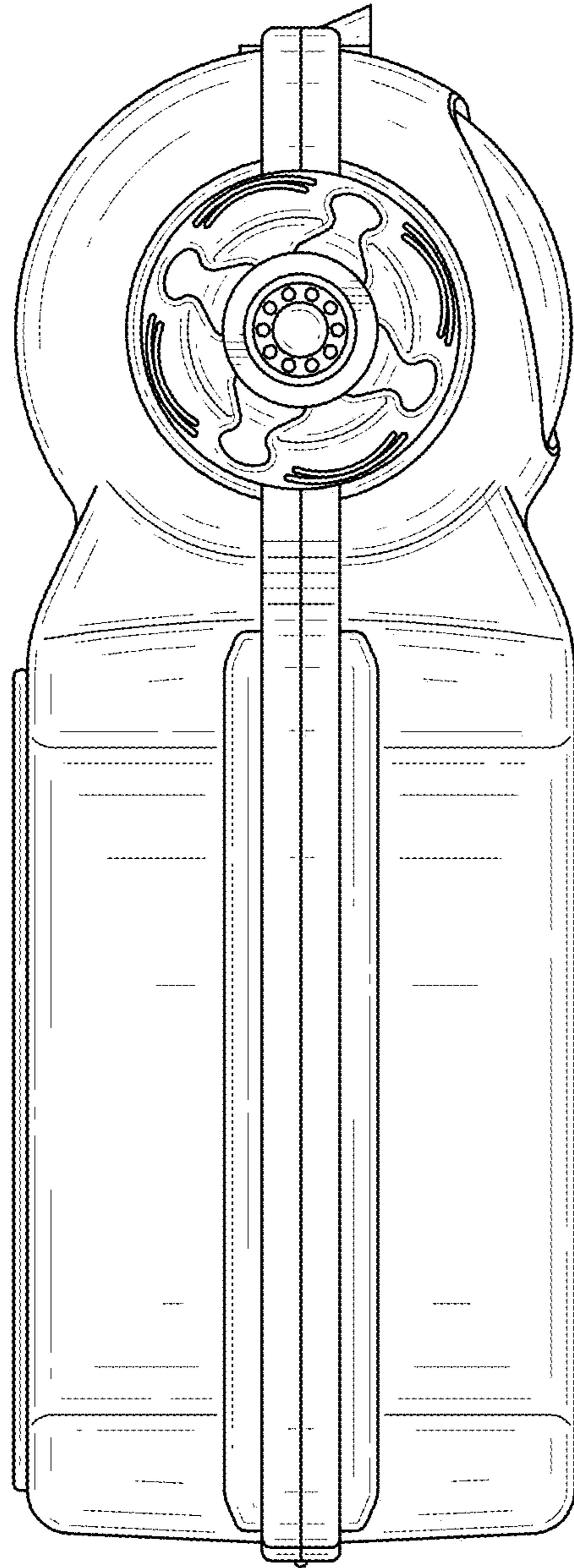


FIG. 6

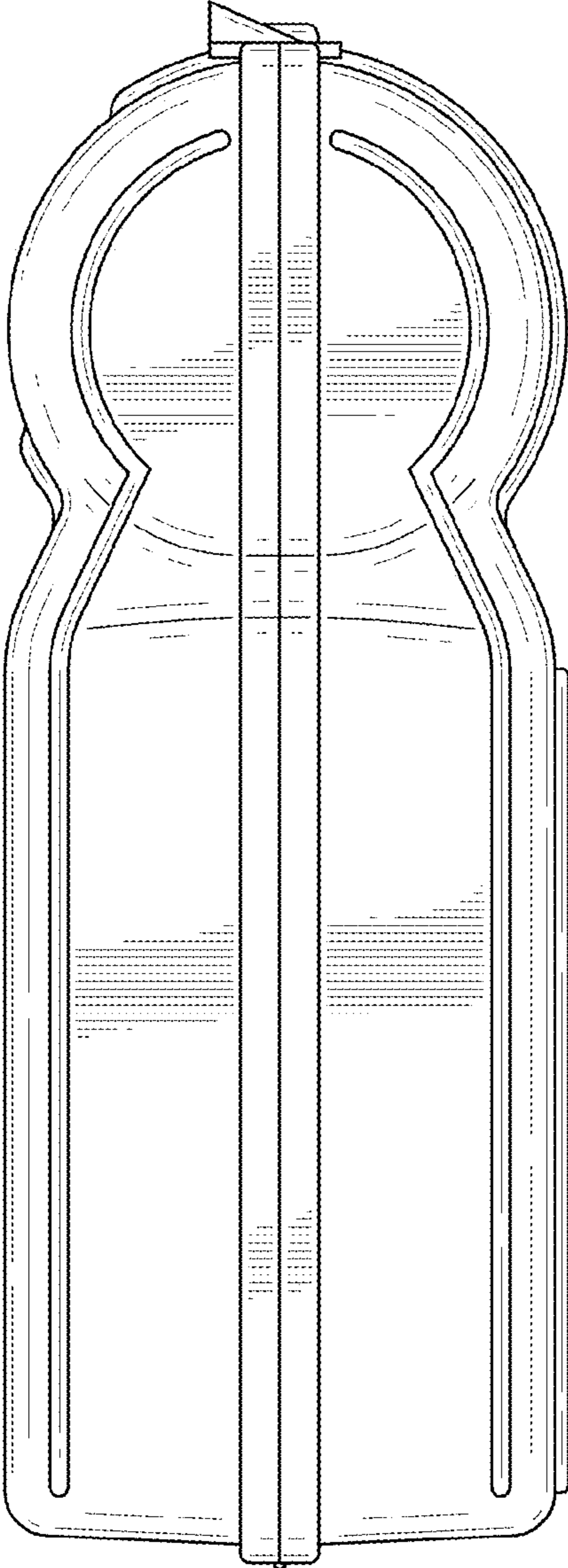


FIG. 7

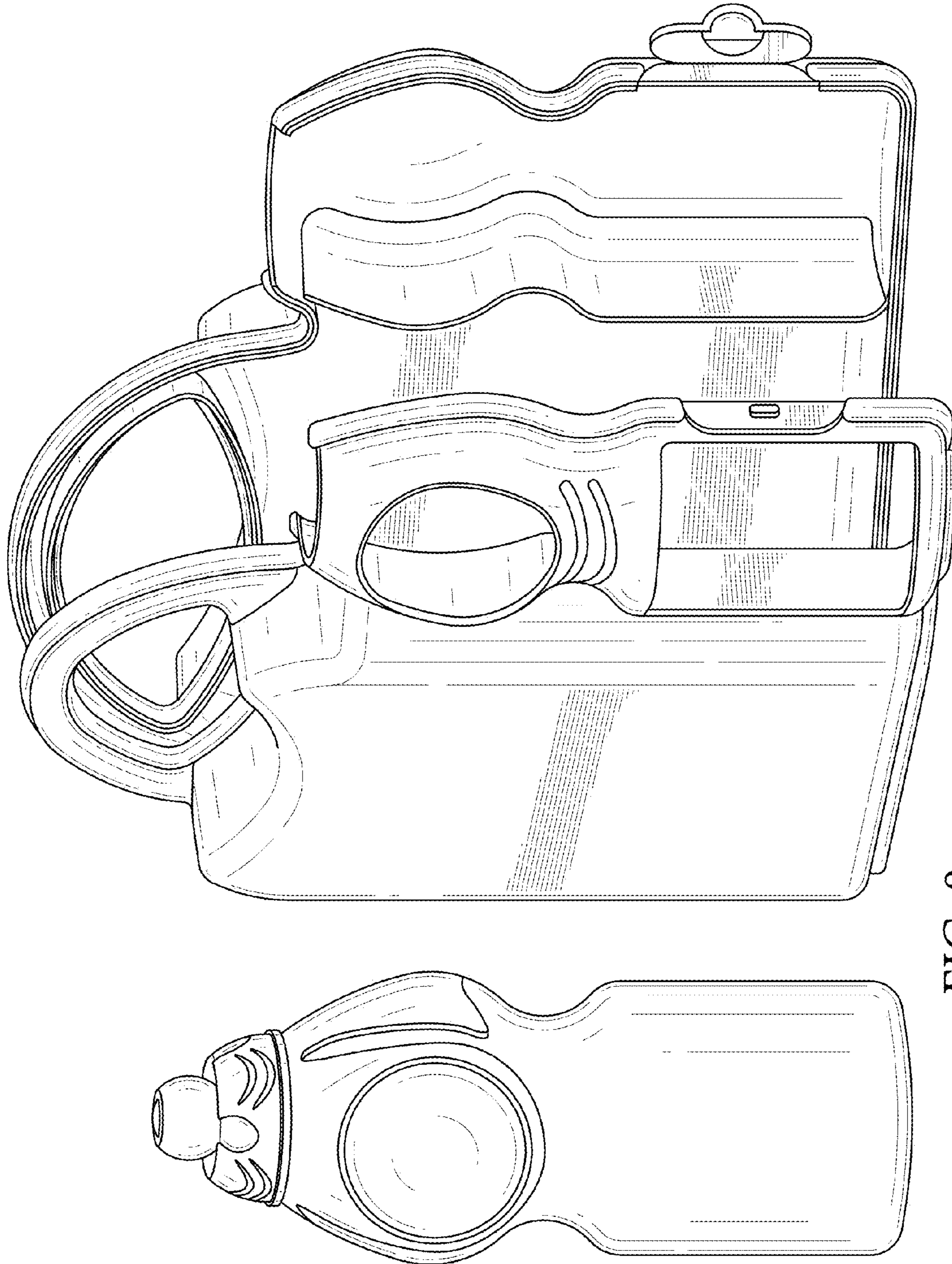


FIG. 8